

[54] **MOLD PLATE ADAPTER**

[76] **Inventor:** Bernard Miles, 119 Trenton Ave.,  
Point Pleasant Beach, N.J. 08742

[\*\*] **Term:** 14 Years

[21] **Appl. No.:** 767,373

[22] **Filed:** Aug. 20, 1985

[52] **U.S. Cl.** ..... D7/43

[58] **Field of Search** ..... D7/43; 17/25-28

[56] **References Cited**

**U.S. PATENT DOCUMENTS**

2,971,216 2/1961 Gwilliam et al. .... 17/25

*Primary Examiner*—Bernard Ansher  
*Assistant Examiner*—Terry Pfeffer  
*Attorney, Agent, or Firm*—Edward R. Weingram

[57] **CLAIM**

The ornamental design for a mold plate adapter, as shown and described.

**DESCRIPTION**

FIG. 1 is a bottom, front, left side perspective view of a mold plate adaptor showing my new design;  
FIG. 2 is a front elevational view thereof, the opposite side being a mirror image;  
FIG. 3 is a right side elevational view thereof;  
FIG. 4 is a bottom plan view thereof.  
FIG. 5 is a top plan view thereof.

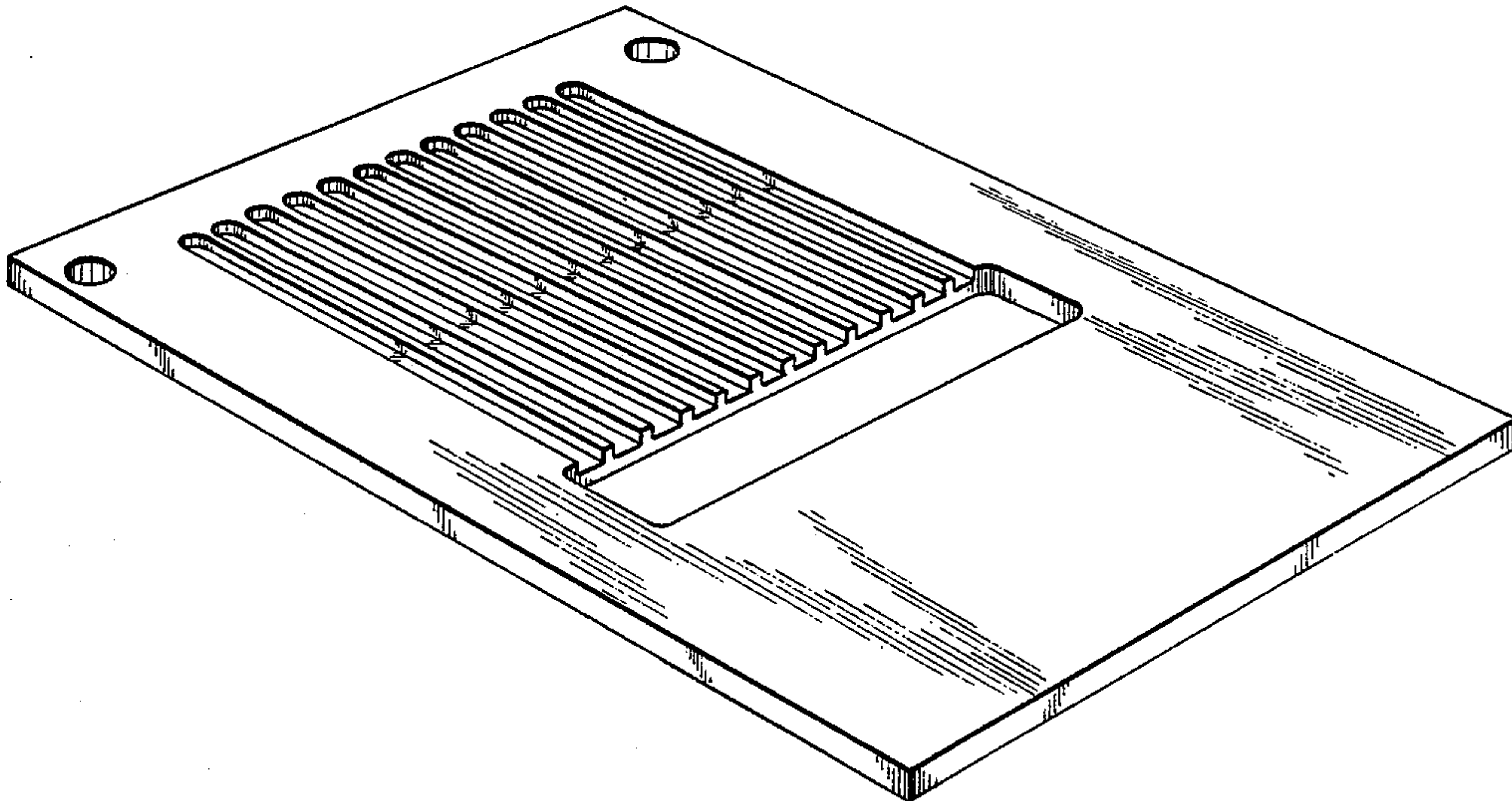


FIG-1

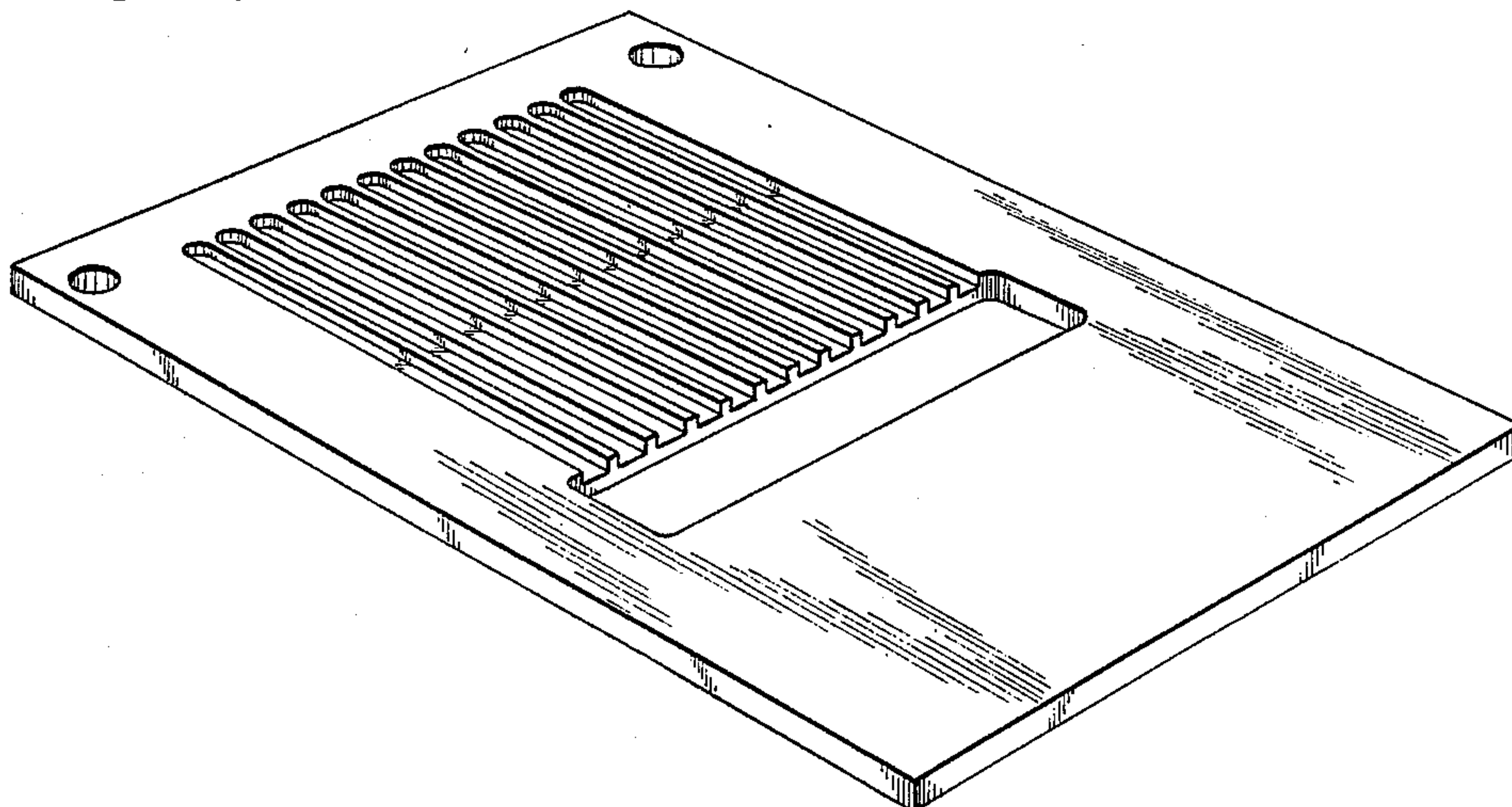


FIG-2



FIG-3



FIG-4

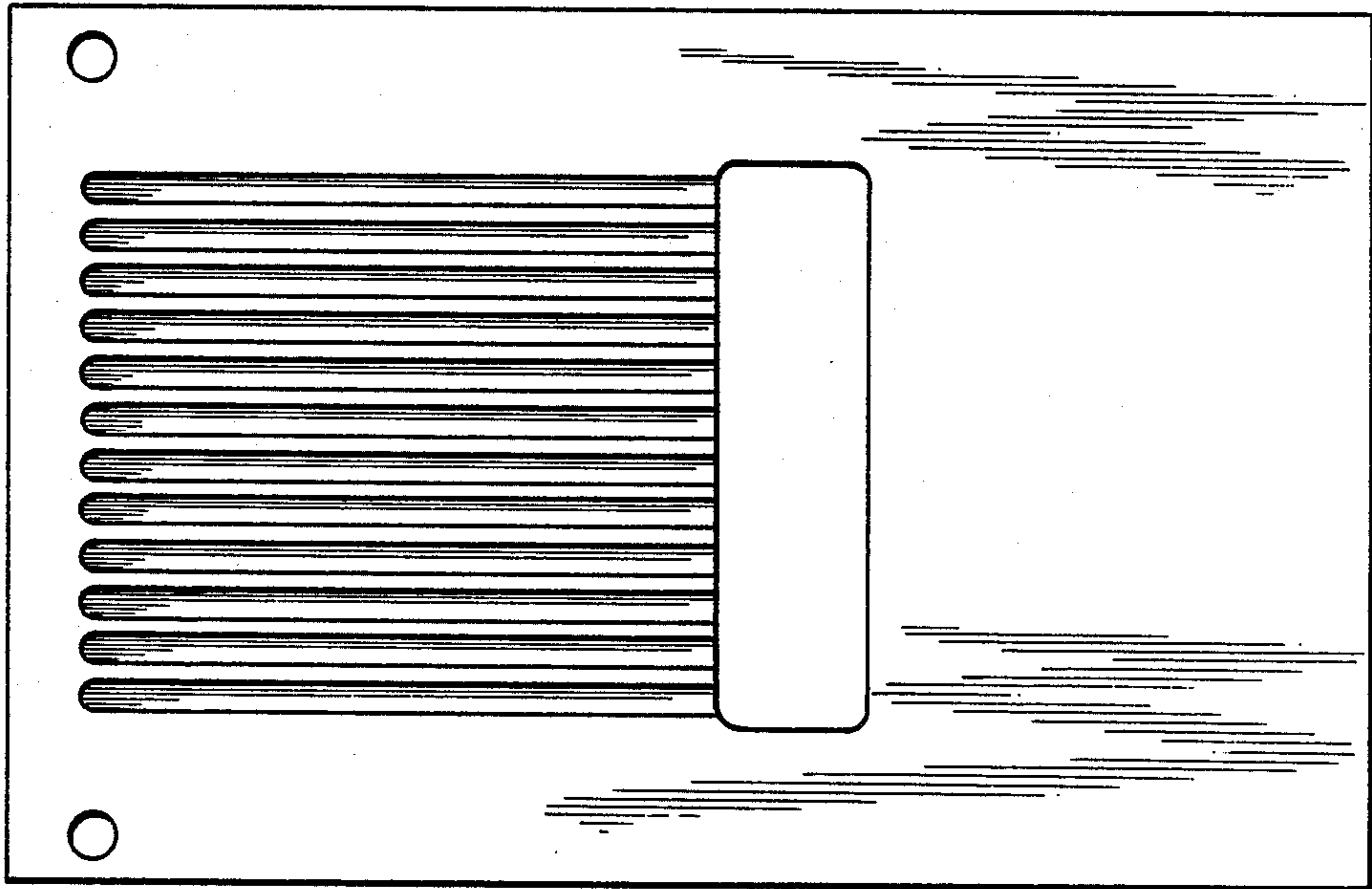


FIG-5

