

[54] **GAS CAN RACK**  
[76] **Inventor: Michael D. Casselman, 16981  
Krameria, Riverside, Calif. 92504**  
[\*\*] **Term: 14 Years**  
[21] **Appl. No.: 31,120**  
[22] **Filed: Mar. 30, 1987**  
[52] **U.S. Cl. .... D6/420; D6/440**  
[58] **Field of Search ..... D6/419, 420, 422, 423,  
D6/424, 425, 426, 427, 428; 312/194, 195, 196;  
108/1; 248/460**

D. 177,450 4/1956 Weston ..... D6/440  
D. 212,541 10/1968 Taylor ..... D6/440 X  
4,618,120 10/1986 Wattles ..... 248/460

*Primary Examiner*—Carmen H. Vales-Lado  
*Attorney, Agent, or Firm*—Harvey S. Hertz

[57] **CLAIM**

The ornamental design for a gas can rack, as shown and described.

**DESCRIPTION**

FIG. 1 is a perspective view of a gas can rack, showing my new design;  
FIG. 2 is a front elevational view thereof;  
FIG. 3 is a right side elevational view thereof, the left side being a mirror image thereof;  
FIG. 4 is a rear elevational view thereof;  
FIG. 5 is a top plan view thereof; and  
FIG. 6 is a bottom plan view thereof.

[56] **References Cited**  
**U.S. PATENT DOCUMENTS**  
D. 19,086 5/1889 Wilson ..... D6/420 X  
D. 118,637 1/1940 Dyghes ..... D6/440 X  
D. 125,033 2/1941 Borroughs ..... D6/420

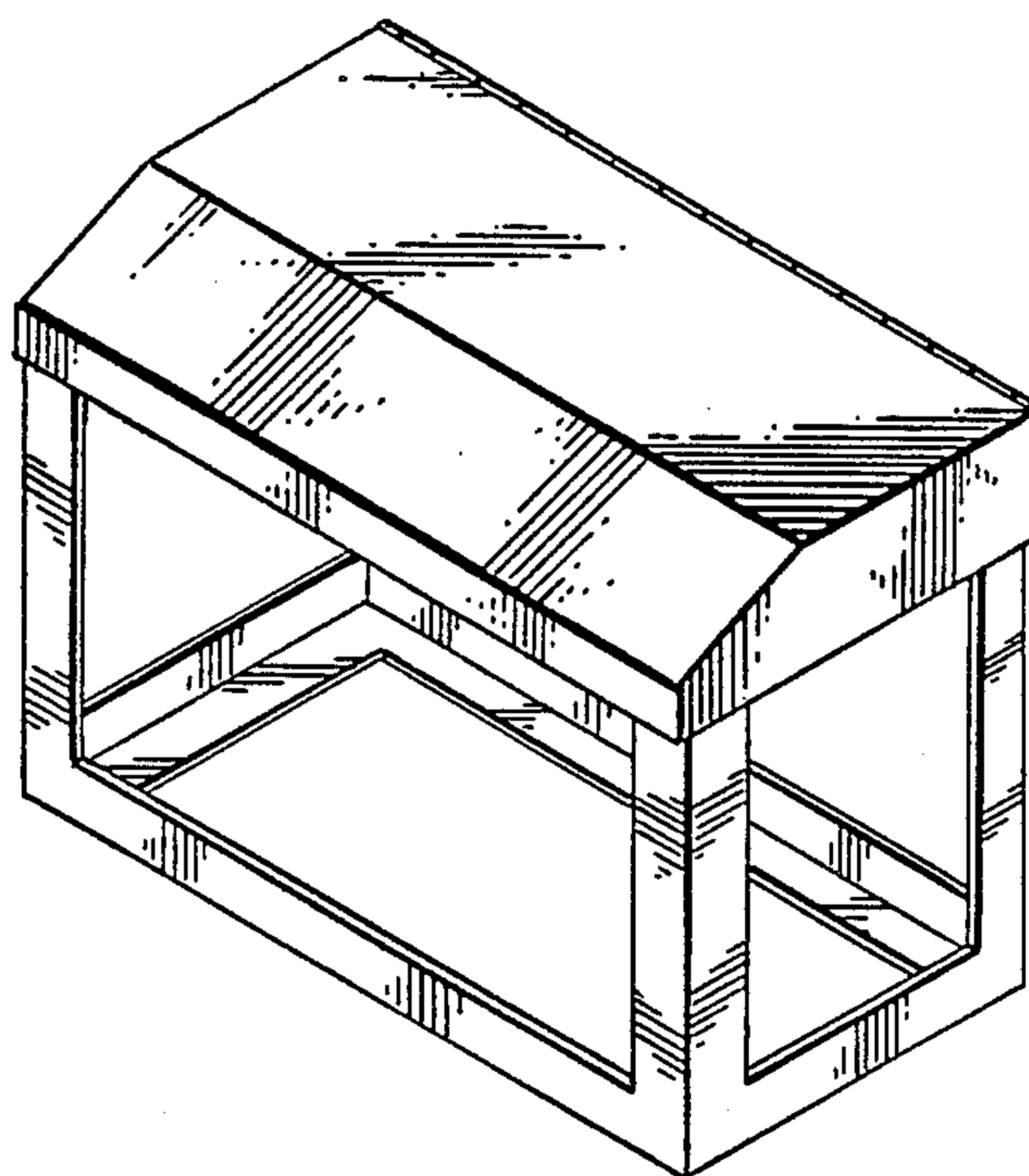


FIG. 1

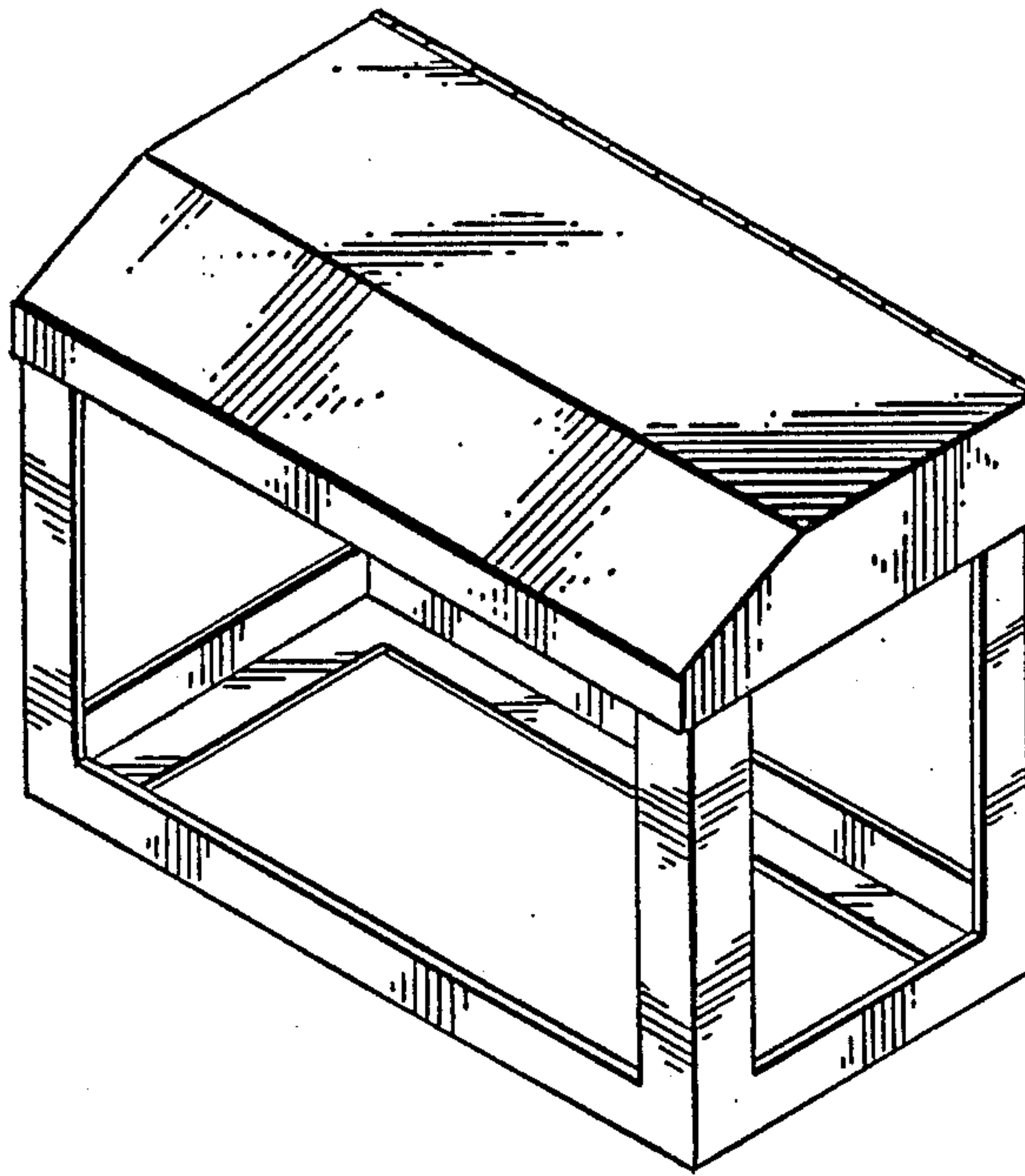


FIG. 2

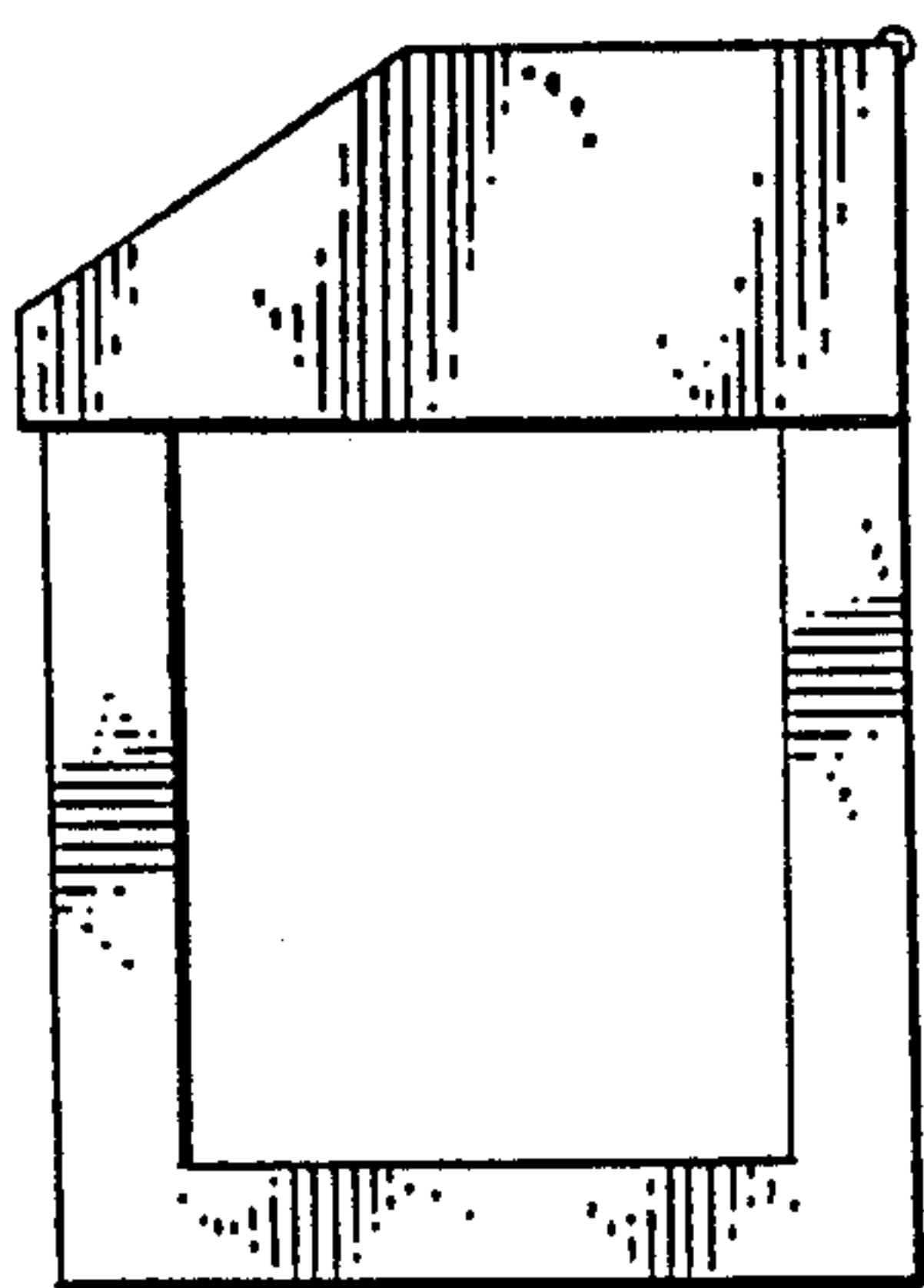
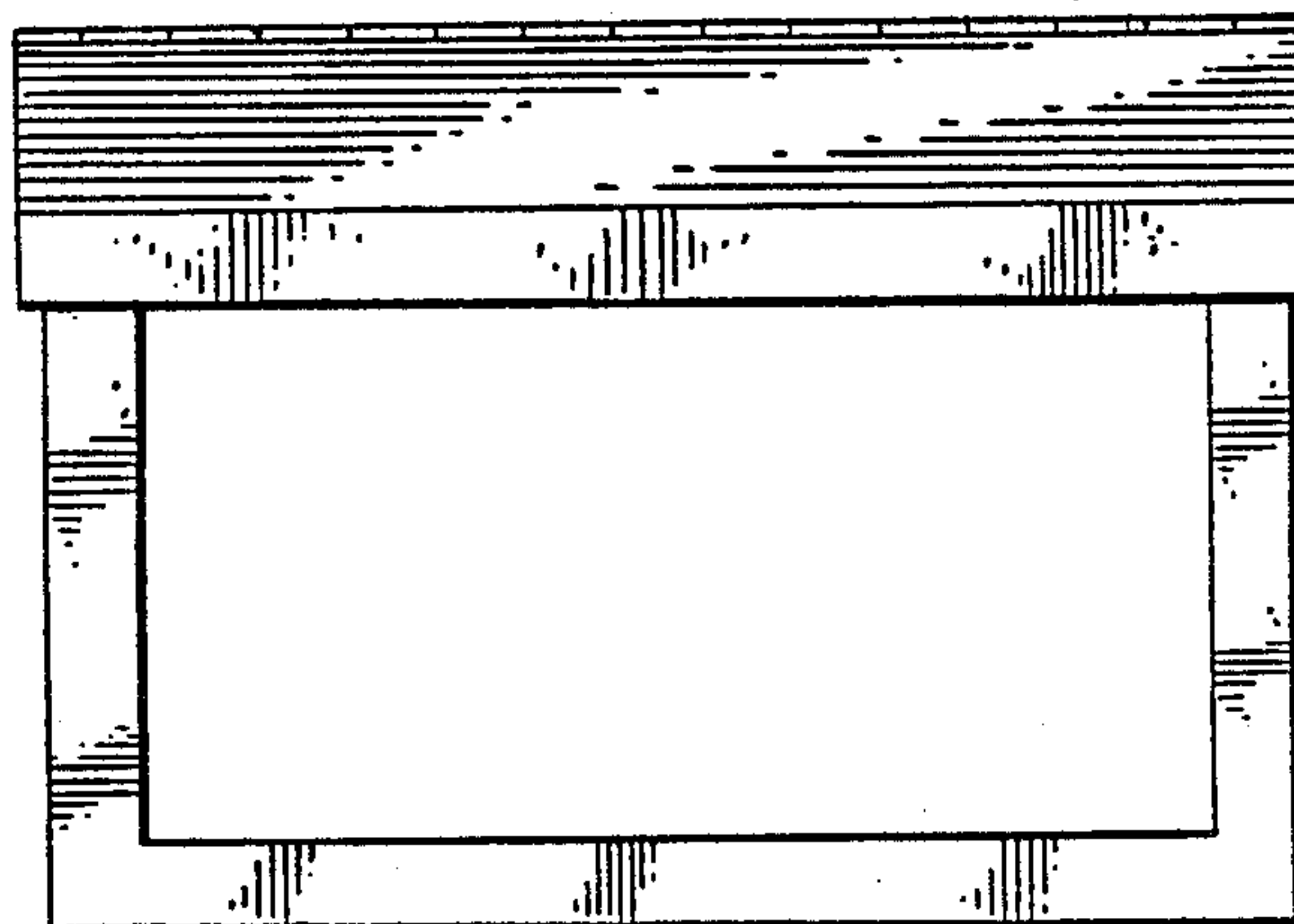


FIG. 3

FIG. 4

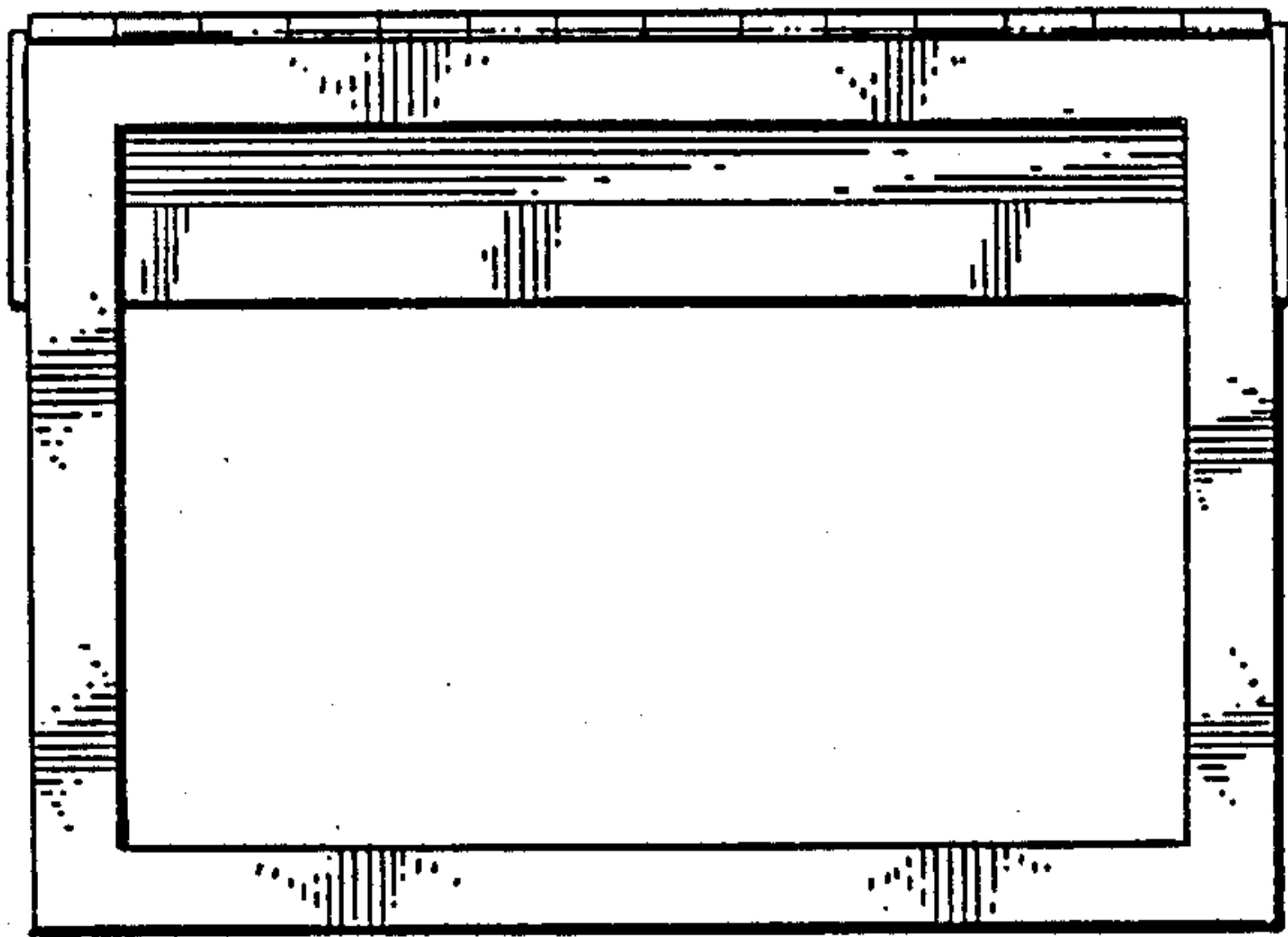


FIG. 5

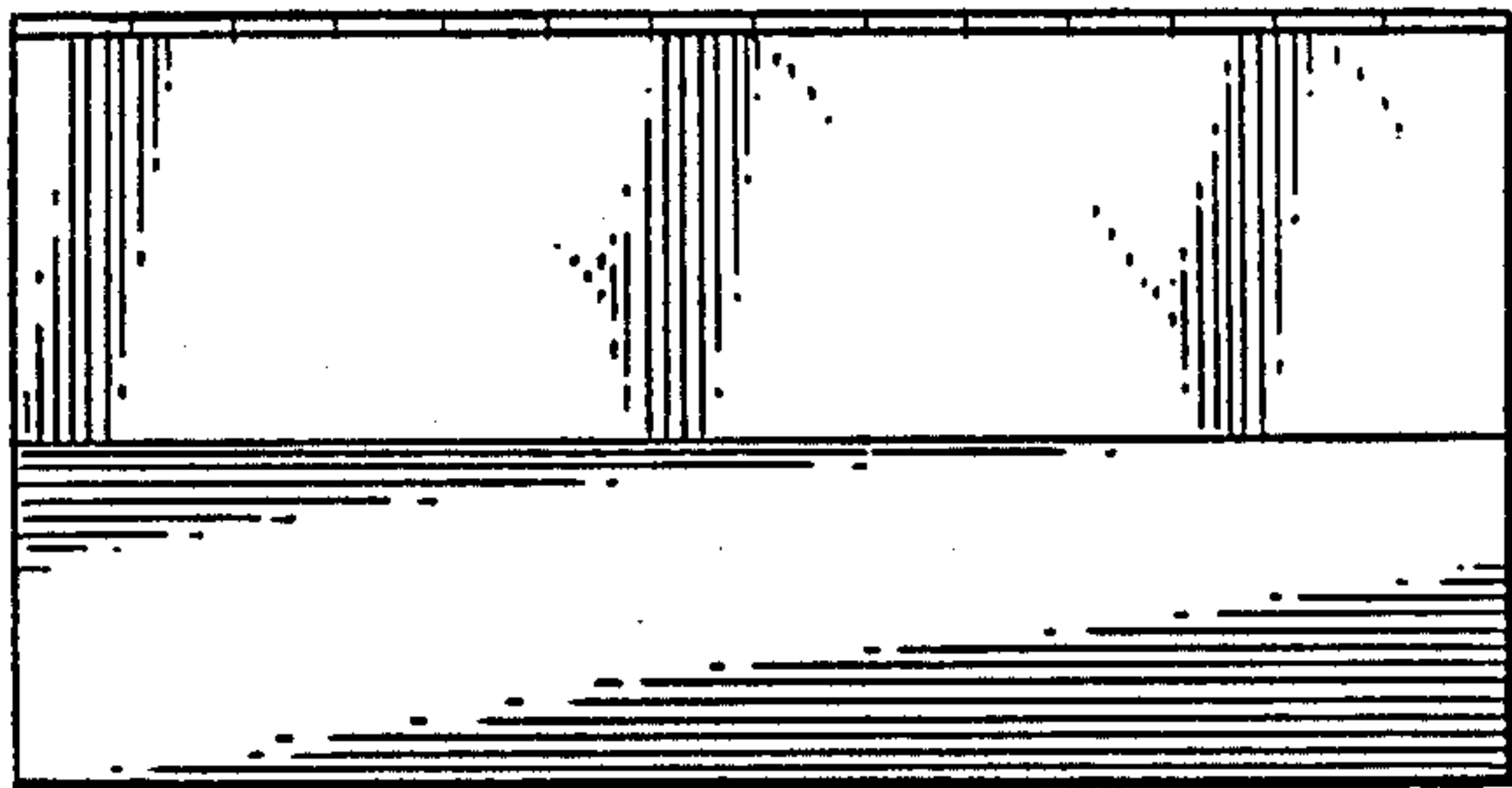


FIG. 6

