

United States Patent [19]

Tanigami

[11] Patent Number: Des. 304,131

[45] Date of Patent: ** Oct. 24, 1989

[54] ENVELOPE OPENER

[75] Inventor: Shintaro Tanigami, Tokyo, Japan

[73] Assignee: Elm Industry Co., Ltd., Tokyo, Japan

[**] Term: 14 Years

[21] Appl. No.: 198,383

[22] Filed: May 25, 1988

[52] U.S. Cl. D3/72

[58] Field of Search D3/30.1, 39, 49, 51,
D3/72, 99; D9/426, 438; D19/75, 86, 100;
D28/76, 91

[56] References Cited

U.S. PATENT DOCUMENTS

D. 213,346 2/1969 Mercer D3/39 X
D. 233,078 10/1974 Mullins D3/39

D. 245,205 7/1977 Santurbane D28/76
D. 275,425 9/1984 Briggs D3/39 X
3,592,201 7/1971 Haddaway D28/76 X

Primary Examiner—Bruce W. Dunkins

Assistant Examiner—Y. Brunot

[57] CLAIM

The ornamental design for envelope opener, as shown and described.

DESCRIPTION

FIG. 1 is a top perspective view of an envelope opener, showing my new design;
FIG. 2 is a top plan view;
FIG. 3 is a bottom plan view;
FIG. 4 is a left side elevational view;
FIG. 5 is a right side elevational view;
FIG. 6 is a front elevational view; and
FIG. 7 is a rear elevational view thereof.

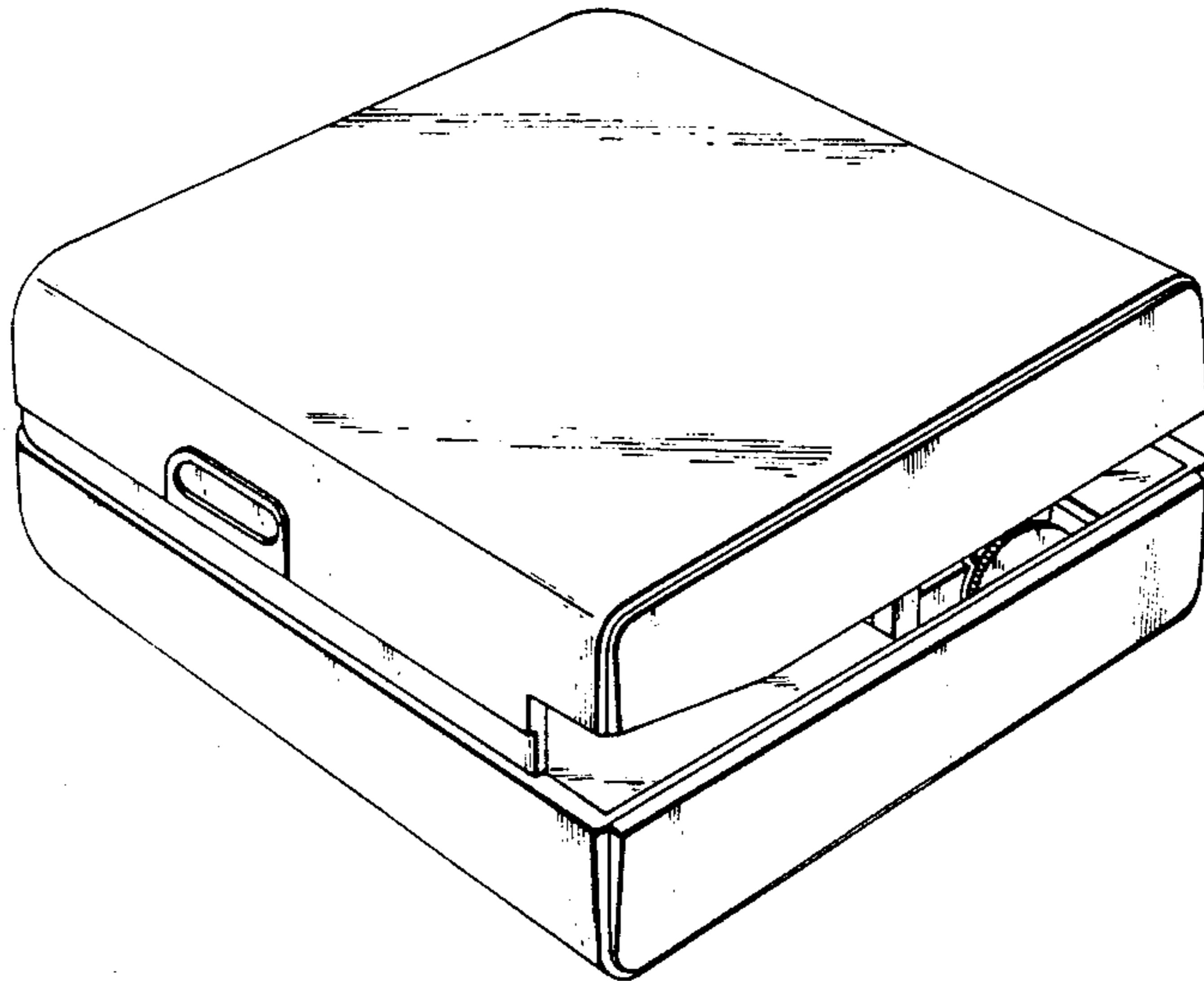


FIG. 1

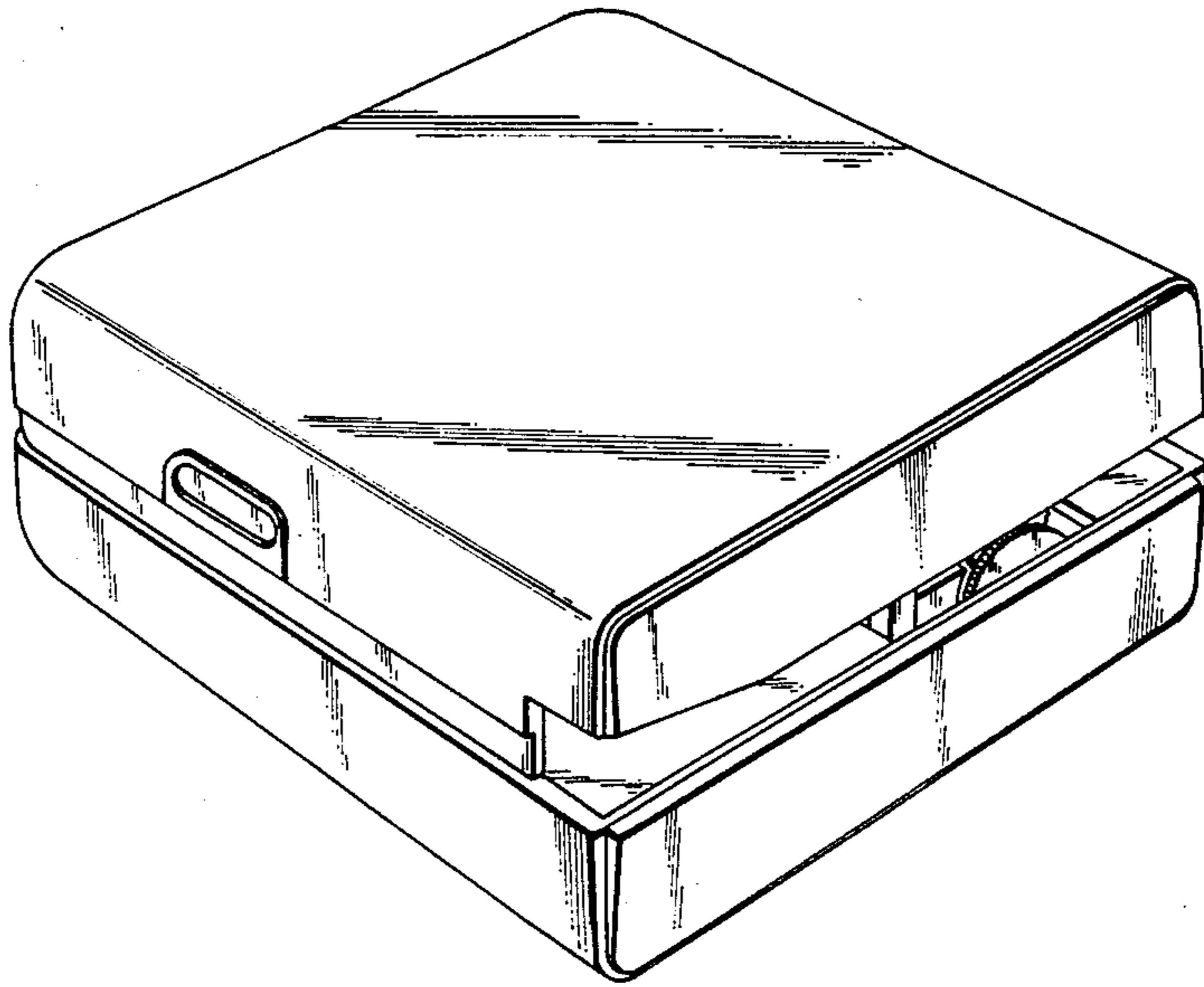


FIG. 2

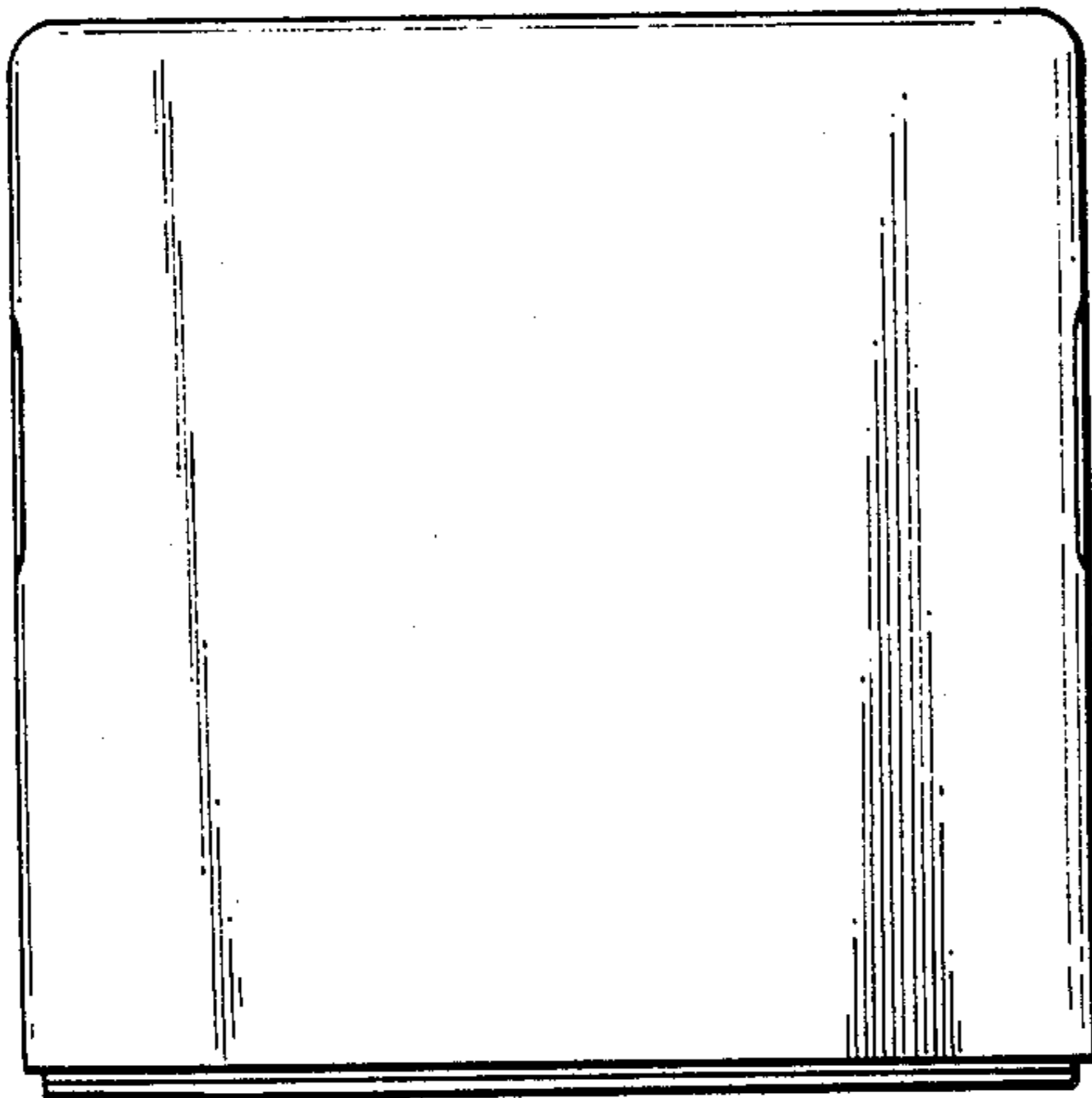


FIG. 3

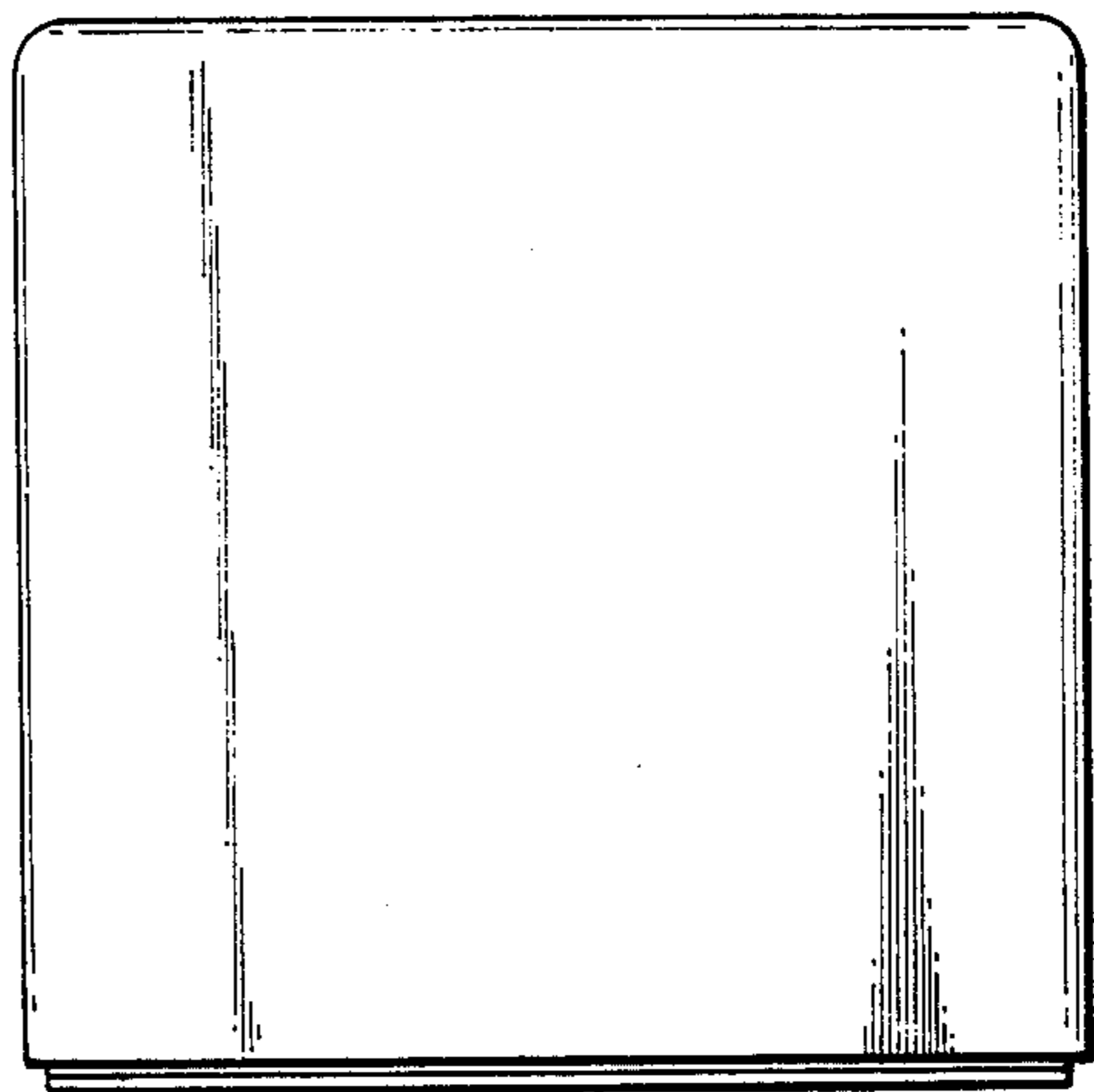


FIG. 4

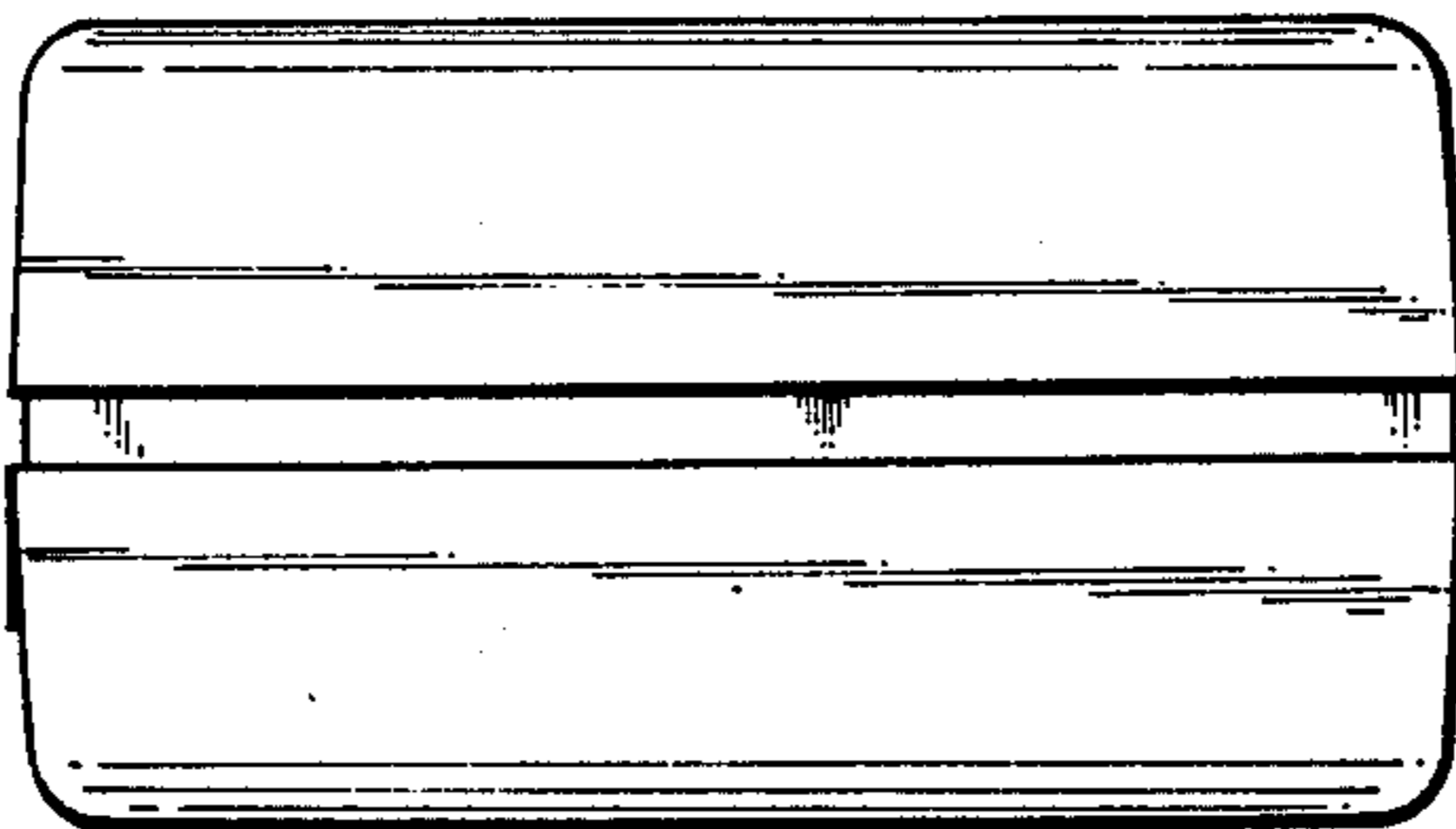


FIG. 5

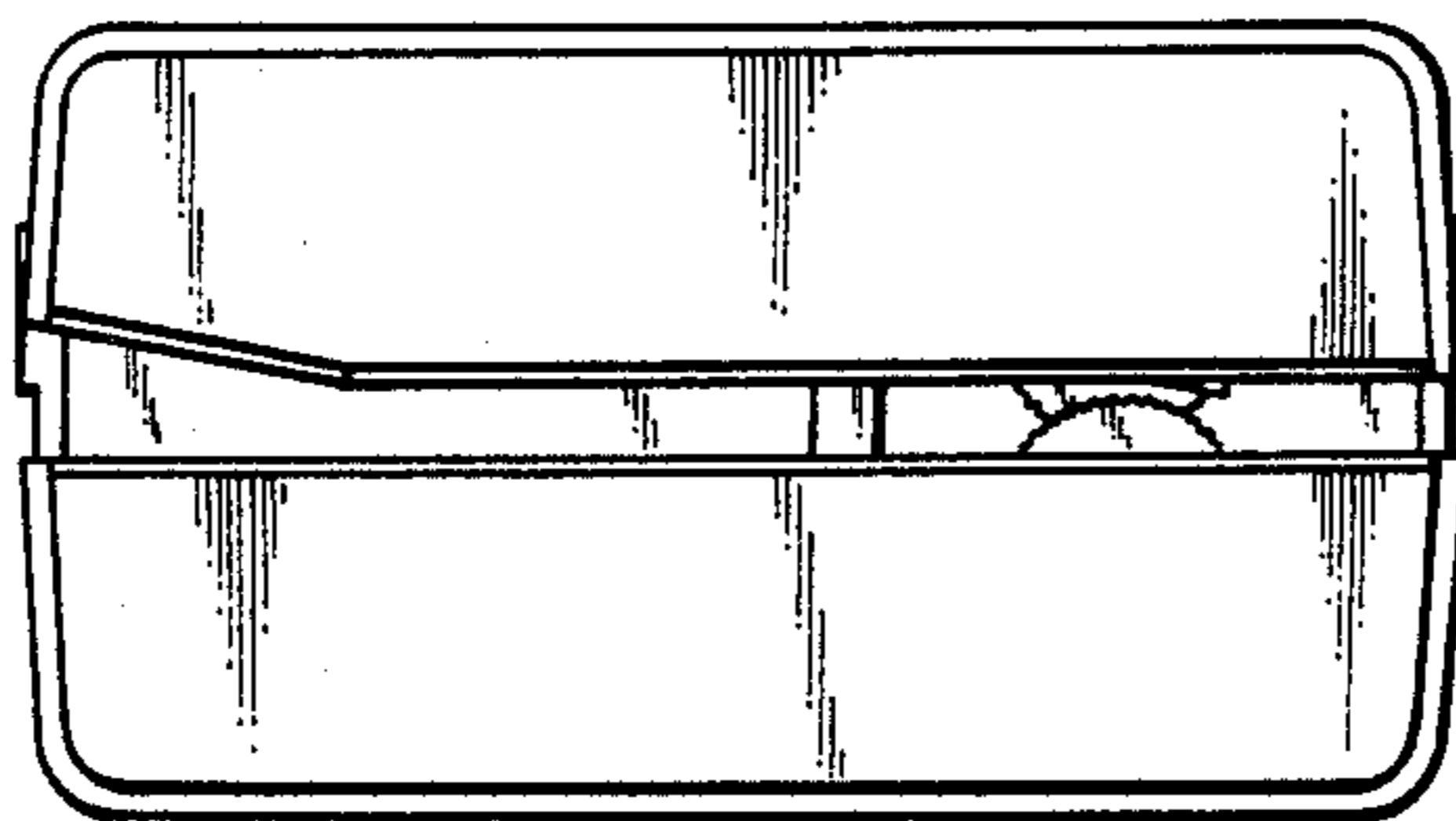


FIG. 6

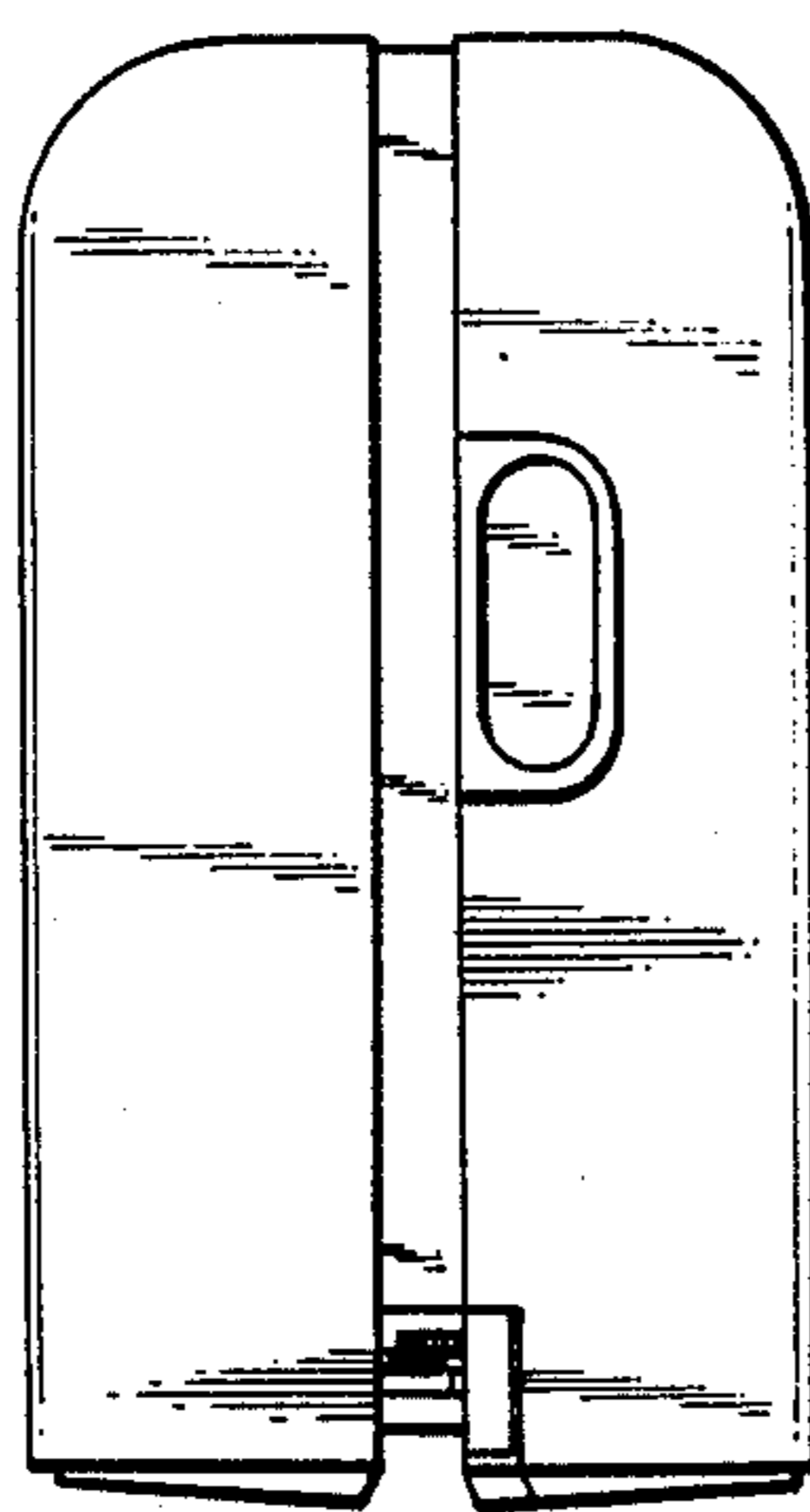


FIG. 7

