

United States Patent [19]

Charet et al.

[11] Patent Number: **Des. 304,124**

[45] Date of Patent: **** Oct. 17, 1989**

[54] **ROLL TOP COIN HOLDER FOR AN
AUTOMOBILE DASH**

[75] Inventors: **Pierre Charet; Duke Kraai**, both of
Miami, Fla.

[73] Assignee: **Rally Accessories, Inc.**, Miami, Fla.

[**] Term: **14 Years**

[21] Appl. No.: **860,769**

[22] Filed: **May 7, 1986**

[52] U.S. Cl. **D99/34; D99/28**

[58] Field of Search **D99/34, 35, 36, 28,
D99/43; 453/57, 50-54, 39; 232/4 R, 1 D;
206/0.82, 0.8, 0.83**

[56] **References Cited**

U.S. PATENT DOCUMENTS

D. 113,418 2/1939 De Wilde D99/28
D. 175,230 7/1955 Paseka D99/34
D. 207,021 2/1967 Browder D99/34

D. 273,403 4/1984 DeLuca D99/34 X
1,037,551 9/1912 Sharp 206/0.82
1,194,192 8/1916 Kittrell 206/0.82
1,526,796 2/1925 Komorous 232/4 R

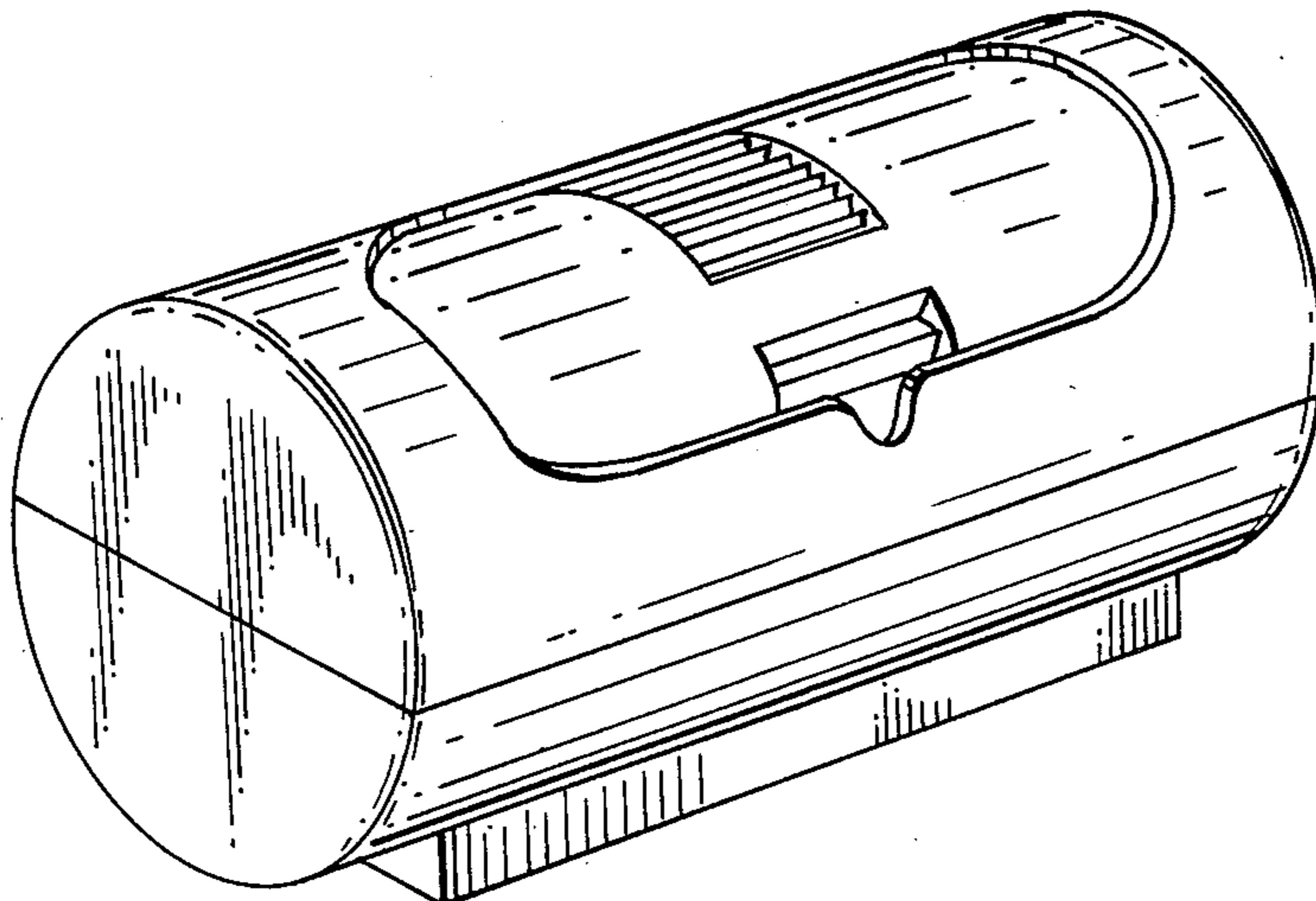
Primary Examiner—Winifred E. Herrmann

[57] **CLAIM**

The ornamental design for a coin holder for an automobile dashboard, as shown and described.

DESCRIPTION

FIG. 1 is a top, front, and left side perspective view of a coin holder for an automobile dashboard showing my new design with the roll top in closed position; FIG. 2 is another top, front, and left side perspective view thereof with the roll top in open position and the magnet bottom cover shown in exploded view; FIG. 3 is a top plan view thereof; FIG. 4 is a right side elevational view thereof; and, FIG. 5 is a bottom plan view thereof. The rear of the design is unornamented.



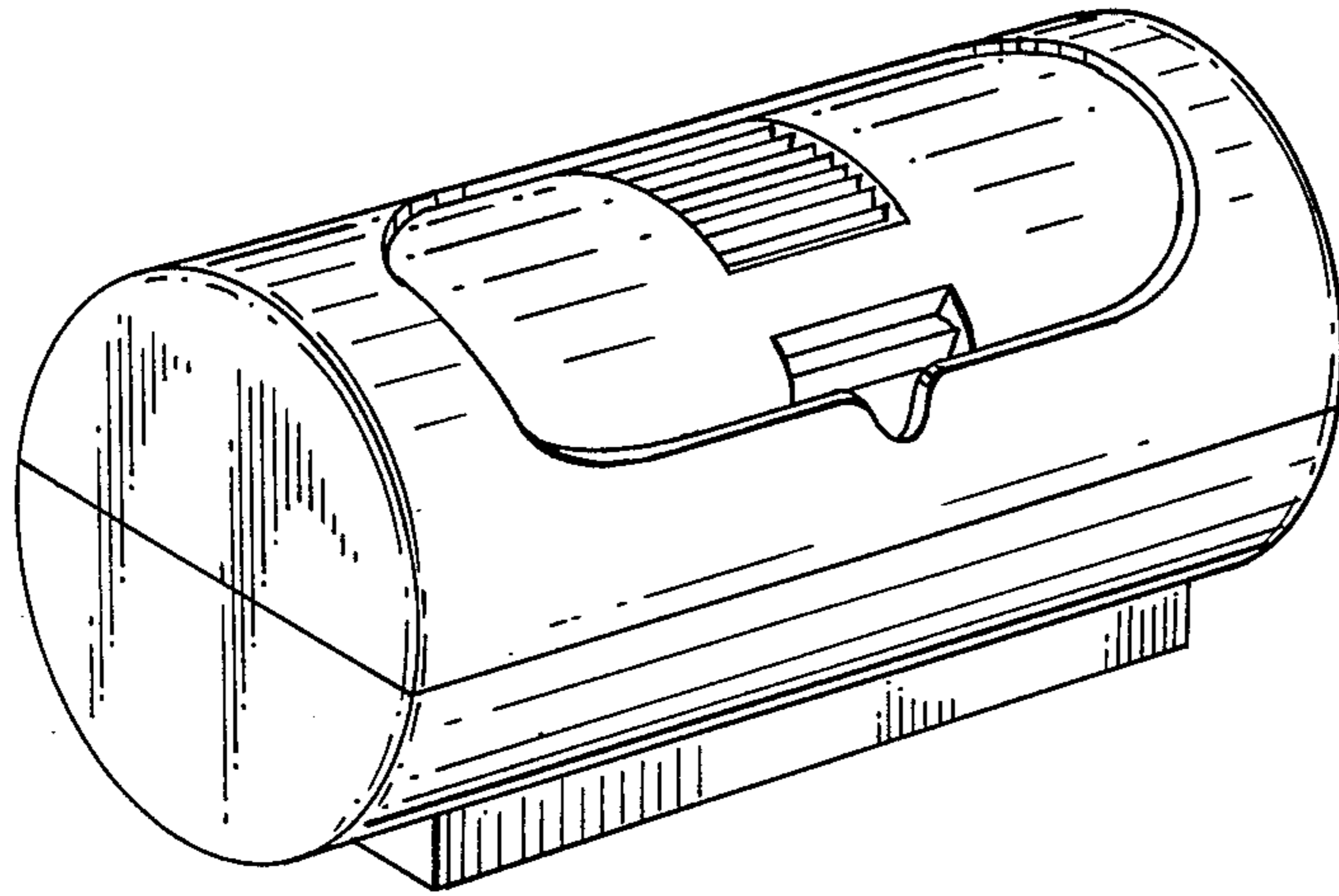


FIG. 1

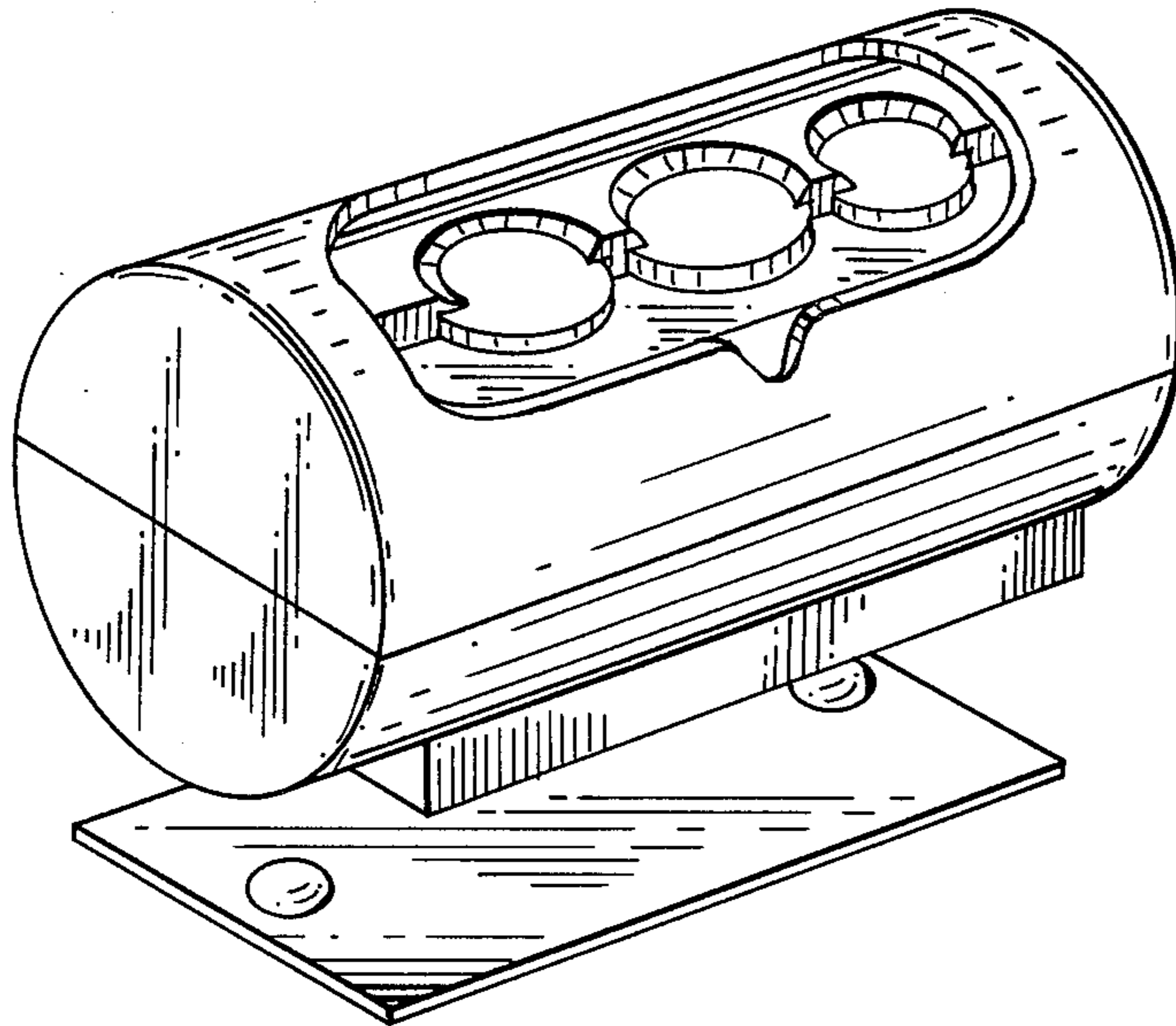


FIG. 2

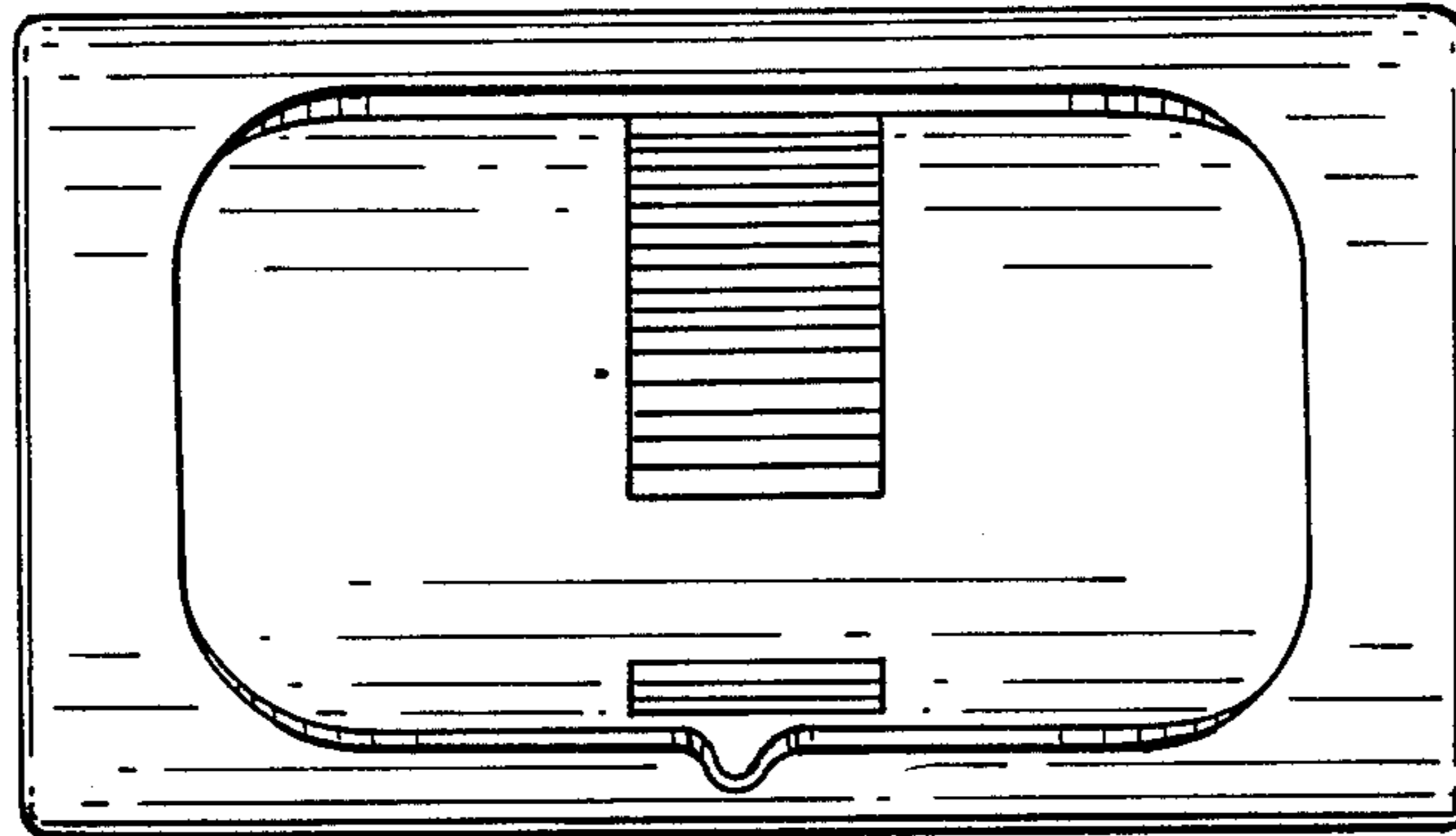


FIG. 3

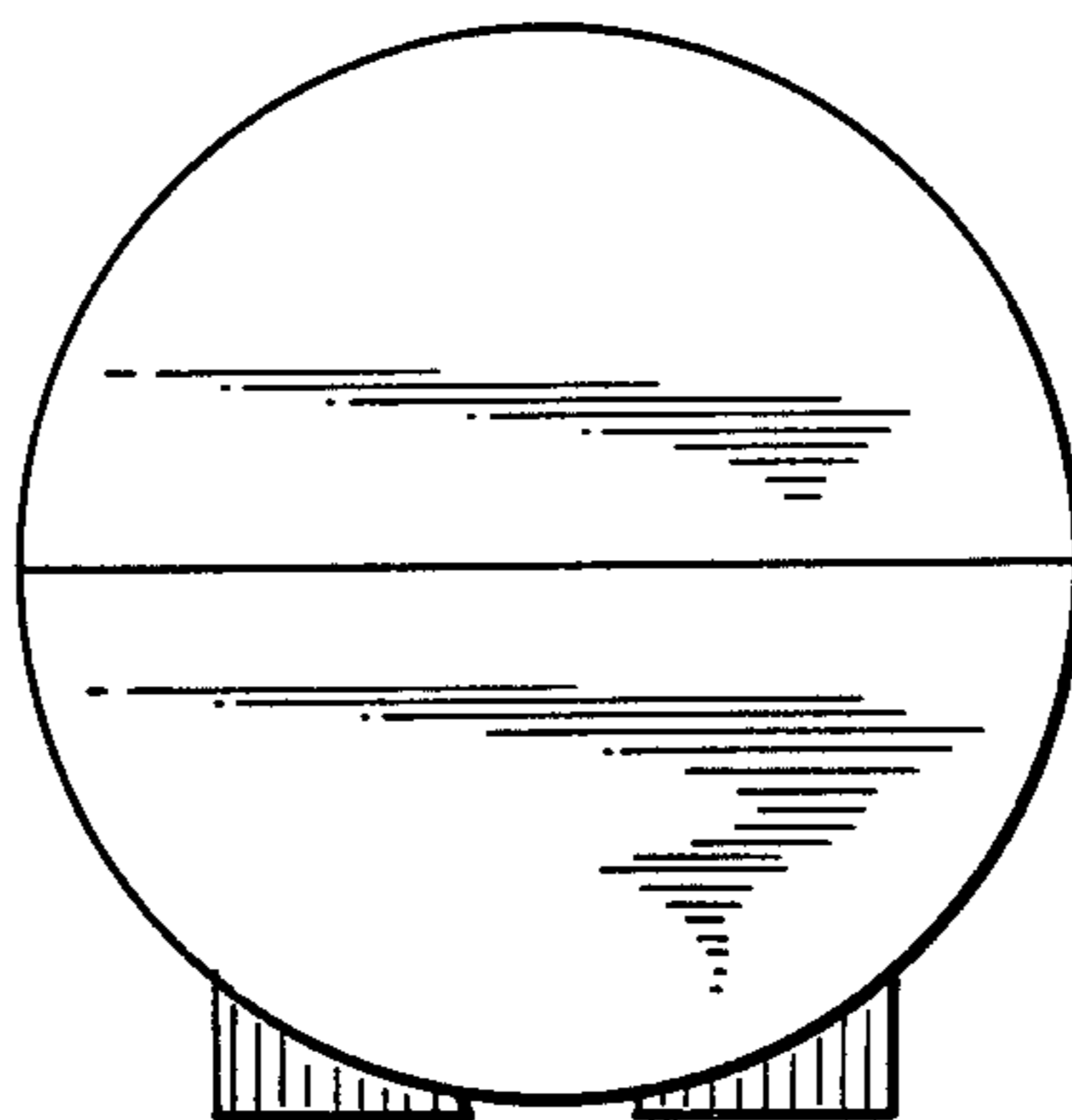


FIG. 4

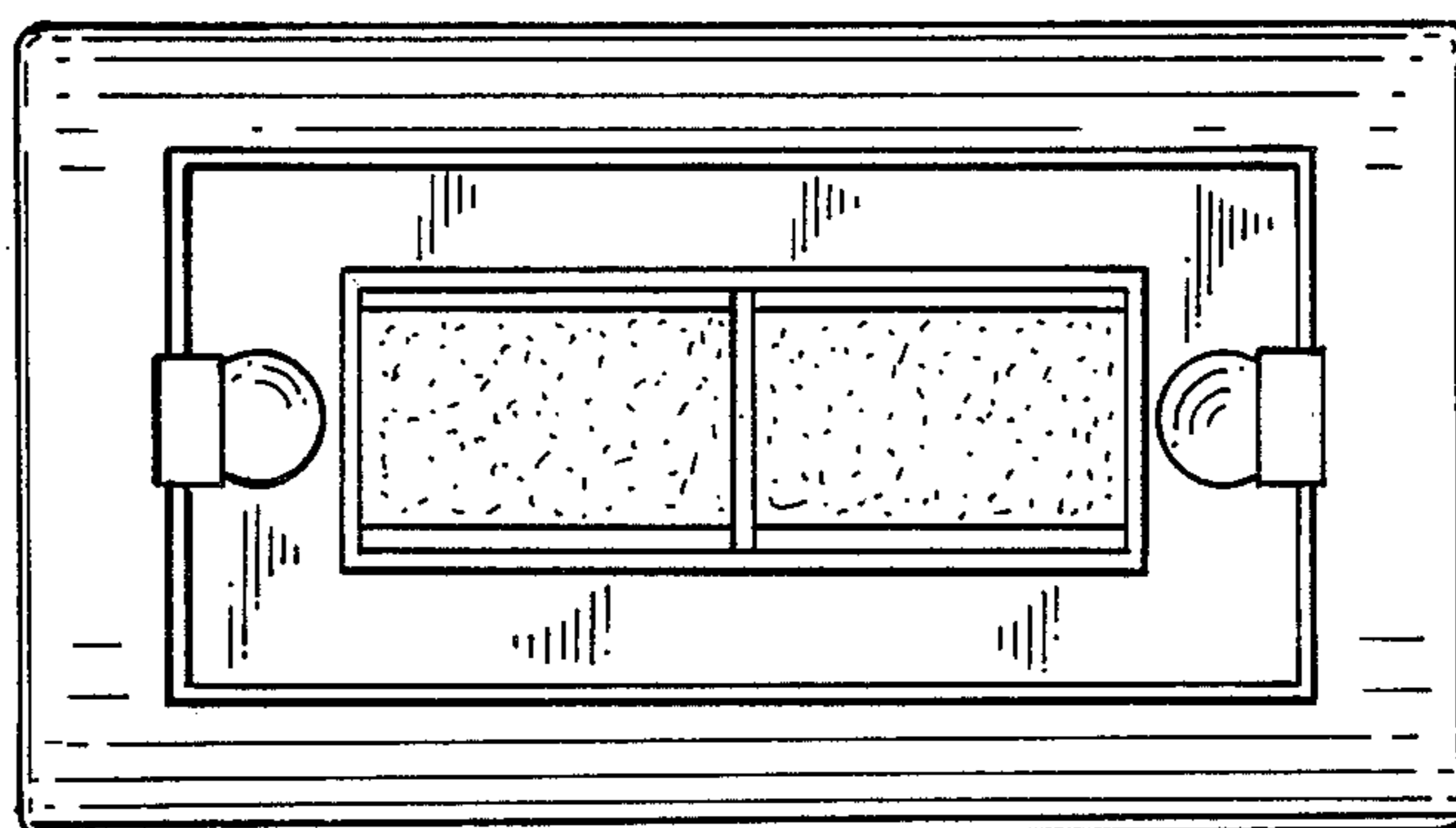


FIG. 5