

[54] **CRATE**

[75] **Inventor: Michael J. Warwick, Randburg, South Africa**

[73] **Assignee: South African Polymer Holdings (Proprietary), Limited), Marshalltown, South Africa**

[\*\*] **Term: 14 Years**

[21] **Appl. No.: 821,065**

[22] **Filed: Jan. 21, 1986**

[30] **Foreign Application Priority Data**

Jul. 23, 1985 [ZA] South Africa ..... 85/0652

[52] **U.S. Cl. .... D34/46**

[58] **Field of Search ..... D34/40, 45, 46, 43, D34/35, 37, 56; 220/21; 206/427, 503, 509, 520; 217/6, 19, 25.5; D9/341**

[56] **References Cited**

**U.S. PATENT DOCUMENTS**

D. 152,907	9/1946	Richards .....	D34/45
D. 208,673	9/1967	Adomat .....	D34/45
D. 289,938	5/1987	Warwick .....	D34/45
2,970,715	11/1958	Kappel et al. ....	220/21
3,120,901	2/1964	Boyd .....	206/520
4,162,738	7/1979	Wright .....	220/21
4,773,554	9/1988	Warwick .....	220/21

**FOREIGN PATENT DOCUMENTS**

693216	7/1967	Belgium .
0094827	2/1984	European Pat. Off. .
0162162	11/1985	European Pat. Off. .
1486412	5/1969	Fed. Rep. of Germany .
1211171	10/1959	France ..... 220/21
2401087	3/1979	France .
1032916	6/1966	United Kingdom .
1115343	5/1968	United Kingdom .
1120067	7/1968	United Kingdom .
1319726	6/1973	United Kingdom .
1330778	9/1973	United Kingdom .
2079256	1/1982	United Kingdom .

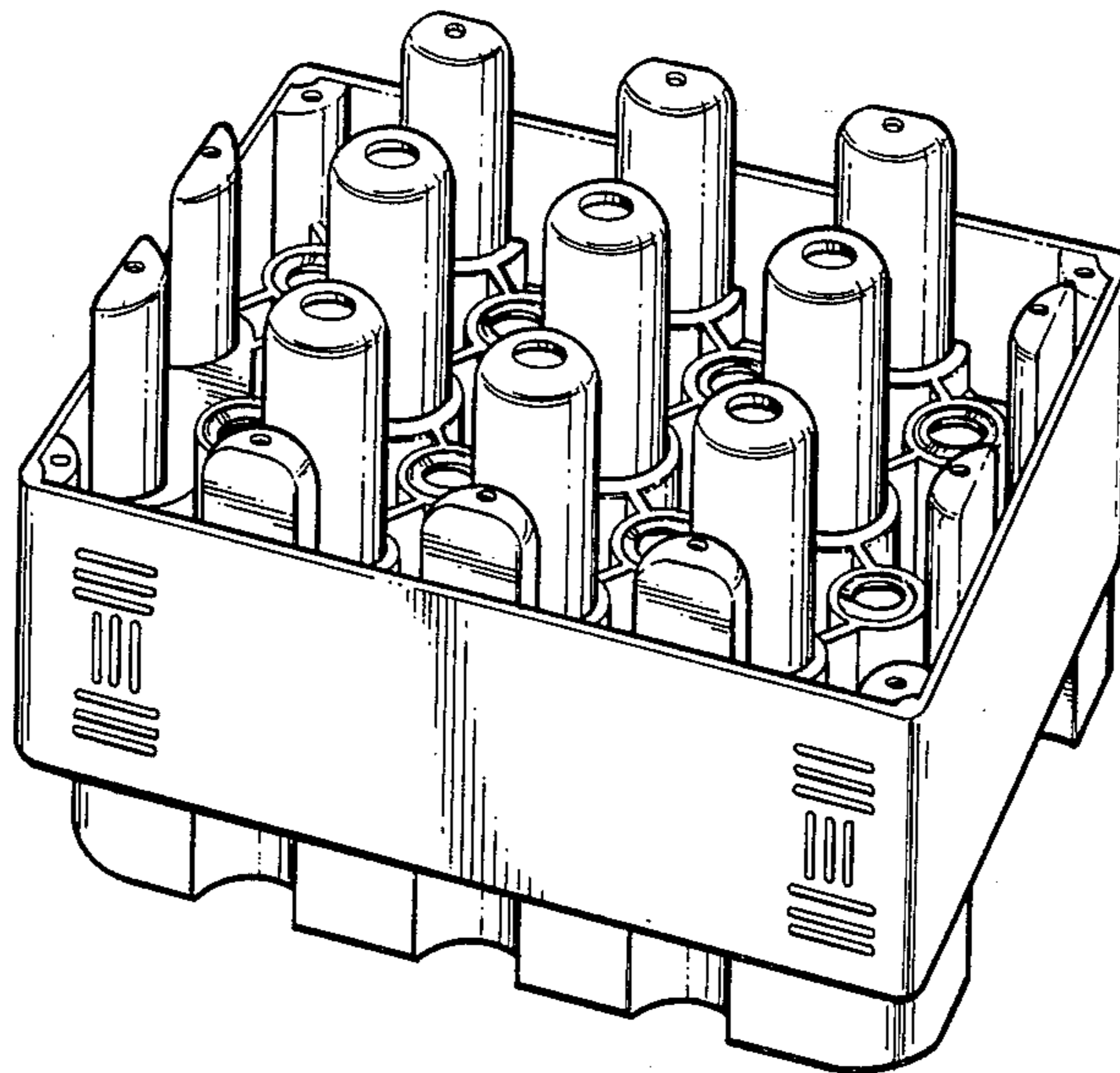
*Primary Examiner*—Bernard Ansher  
*Assistant Examiner*—Prabhakar Deshmukh  
*Attorney, Agent, or Firm*—Ladas & Parry

[57] **CLAIM**

The ornamental design for a crate as shown and described.

**DESCRIPTION**

FIG. 1 is a perspective view of a crate showing my new design;  
 FIG. 2 is a top plan view thereof;  
 FIG. 3 is a bottom plan view thereof;  
 FIG. 4 is a front elevation thereof, the rear side being a mirror image of the front elevation; and  
 FIG. 5 is a left side elevation thereof, the right side being a mirror image of the left side elevation.



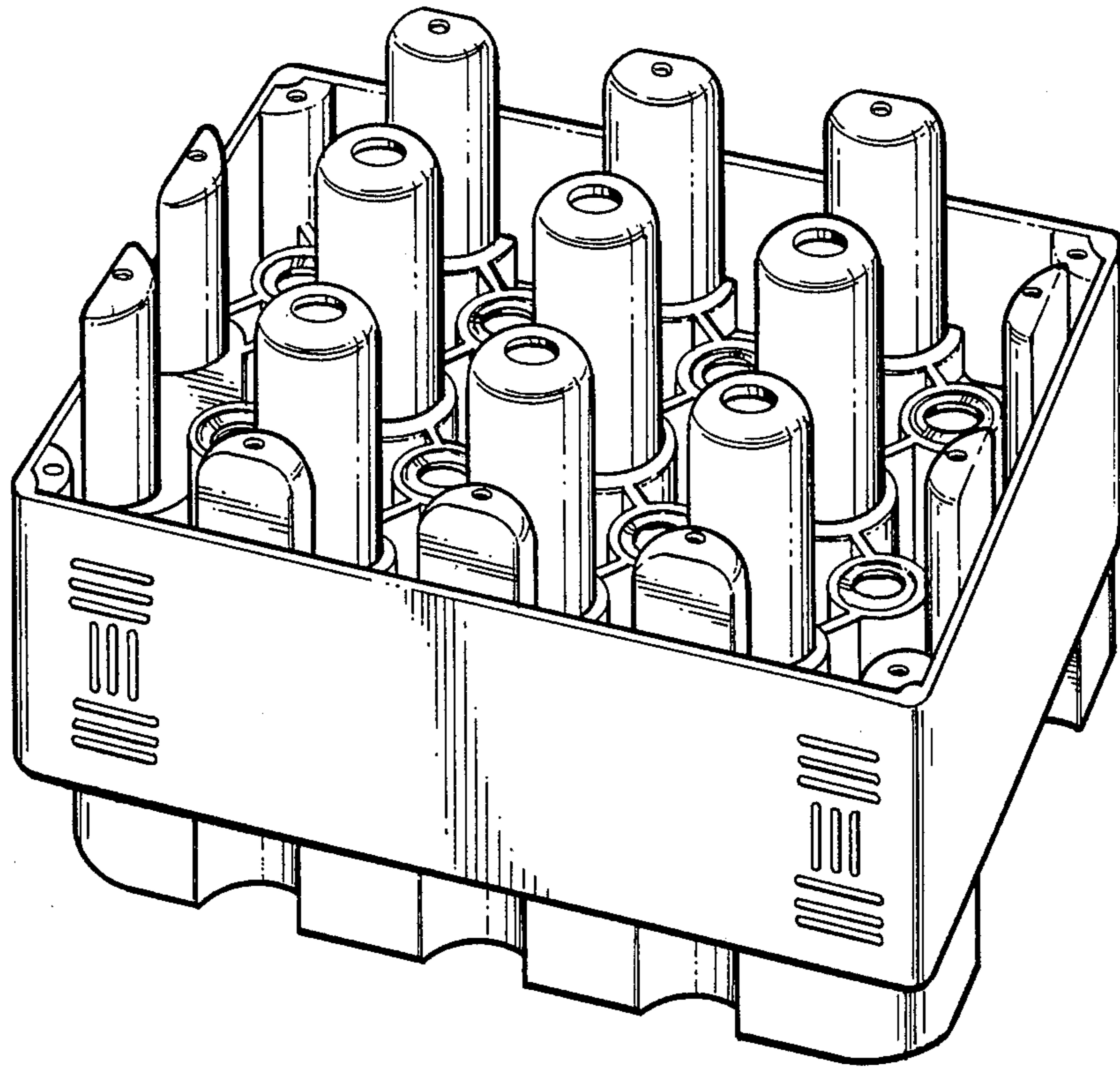


FIG 1

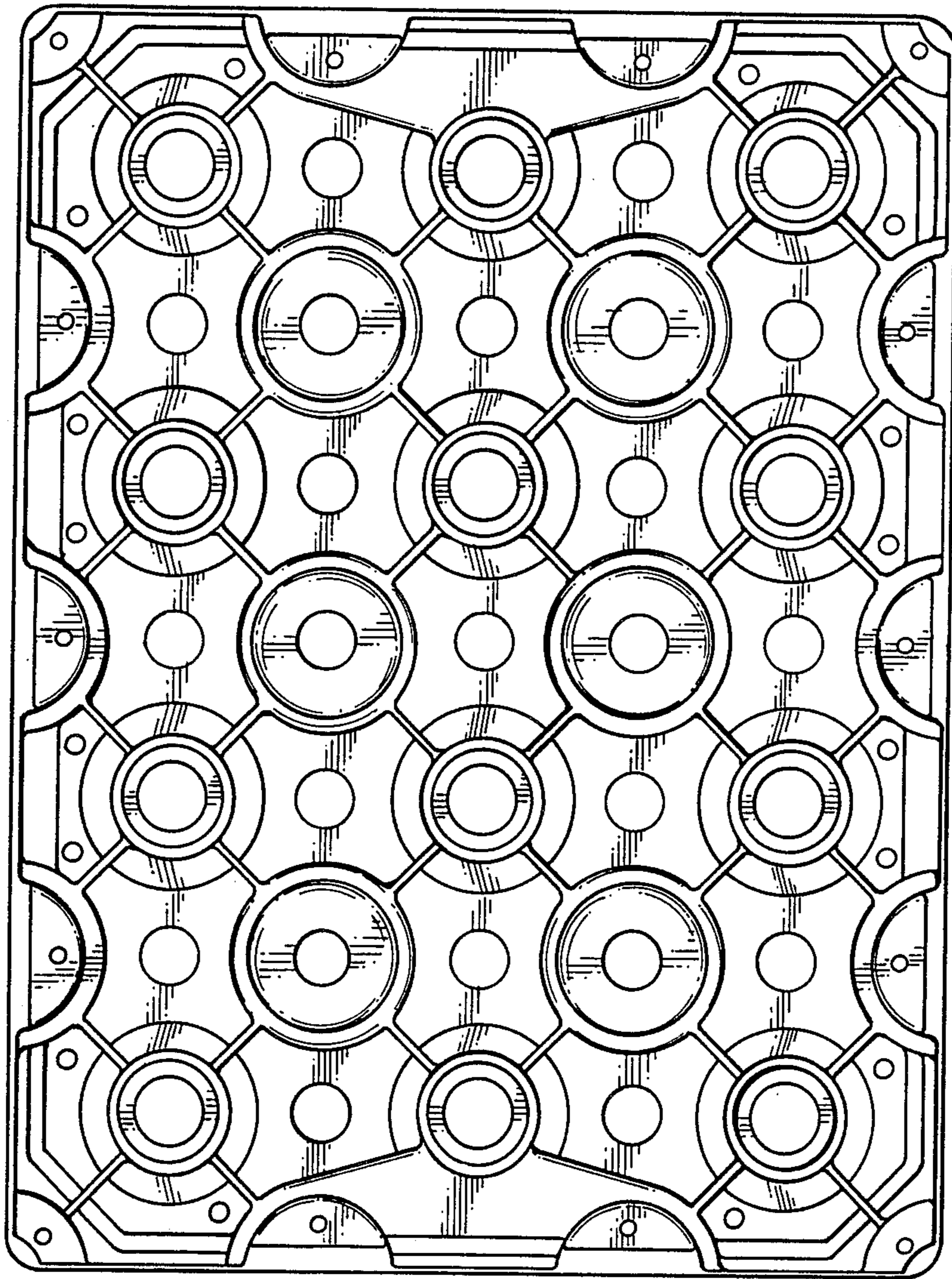


FIG 2



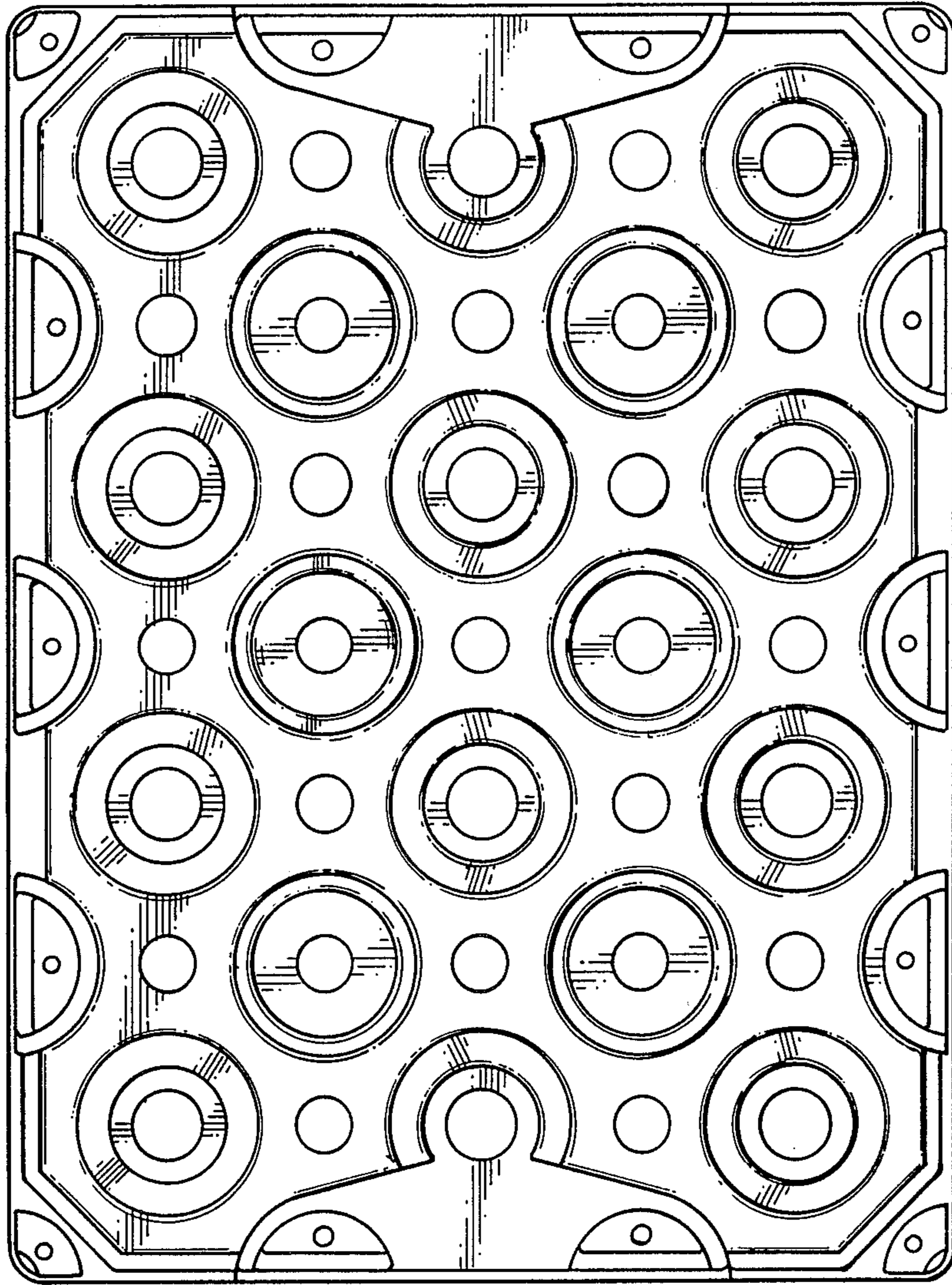


FIG 3

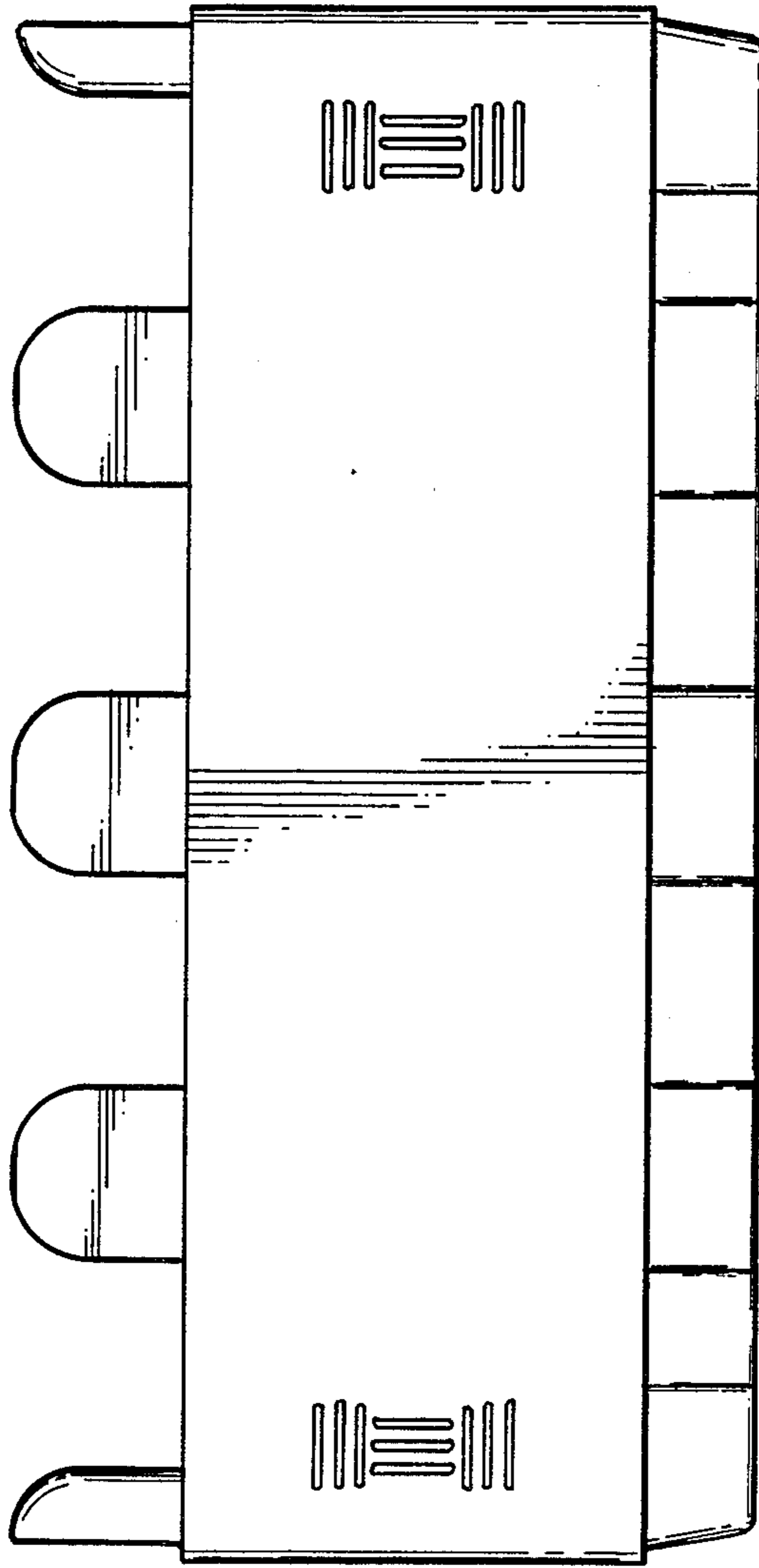


FIG 4

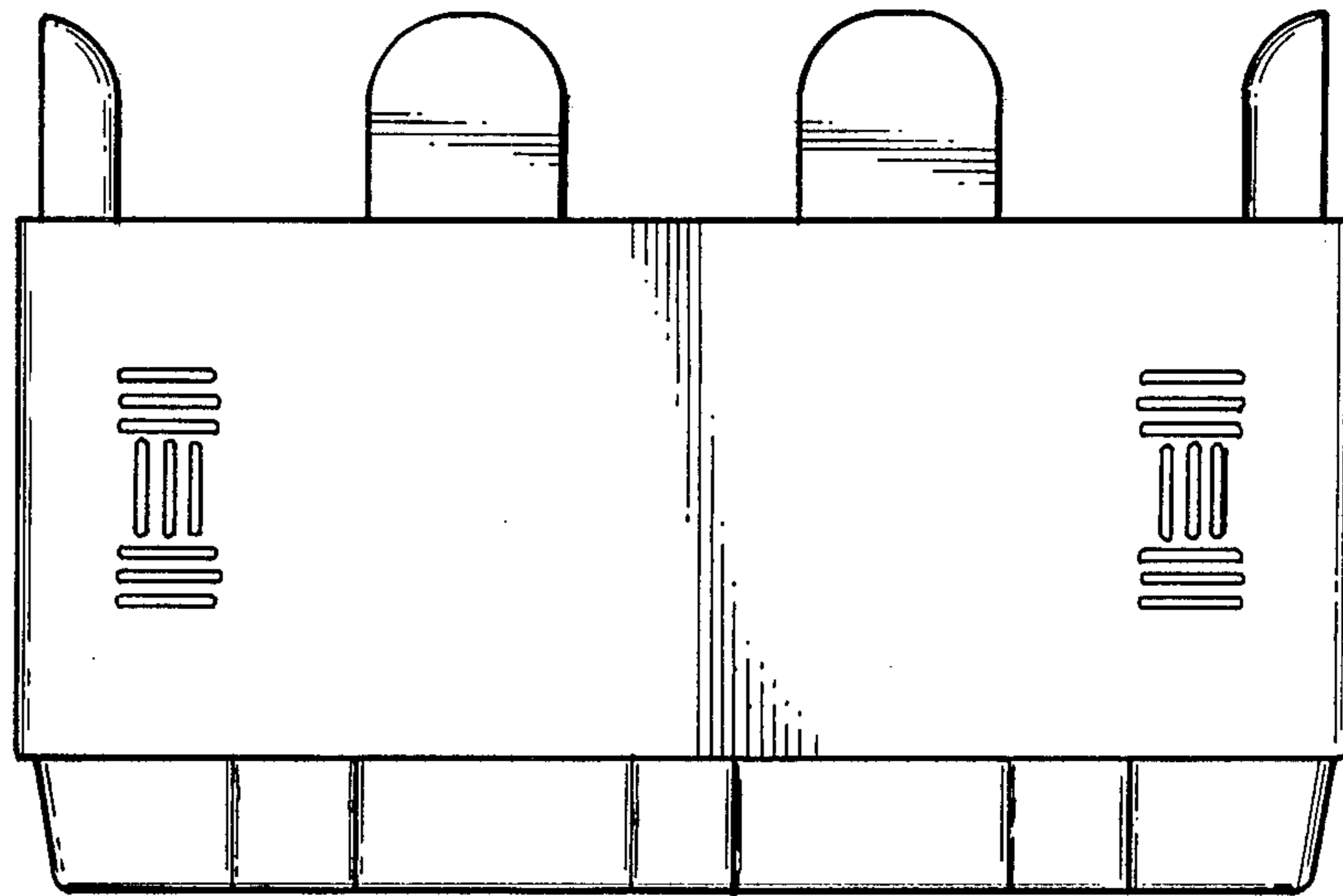


FIG 5