

[54] MARINE WINDLASS

[56] References Cited

[75] Inventors: Gordon M. Lyall, Glasgow; Philip F. McCarron, Paisley, both of Great Britain

U.S. PATENT DOCUMENTS

D. 272,900	3/1984	Obst	D12/317
D. 292,137	9/1987	Andersen	D34/33
1,754,691	4/1930	Melbye	D34/33
4,523,744	6/1985	Bonassi	254/371
4,595,173	6/1986	Anderson	254/371

[73] Assignee: Simpson-Laurence Limited, Glasgow, Scotland

Primary Examiner—Wallace R. Burke
Assistant Examiner—Kay H. Chin
Attorney, Agent, or Firm—S. G. Rudisill

[**] Term: 14 Years

[57] CLAIM

The ornamental design for a marine windlass, as shown and described.

[21] Appl. No.: 829,806

DESCRIPTION

[22] Filed: Feb. 14, 1986

FIG. 1 is a top plan view of a marine windlass showing our new design;

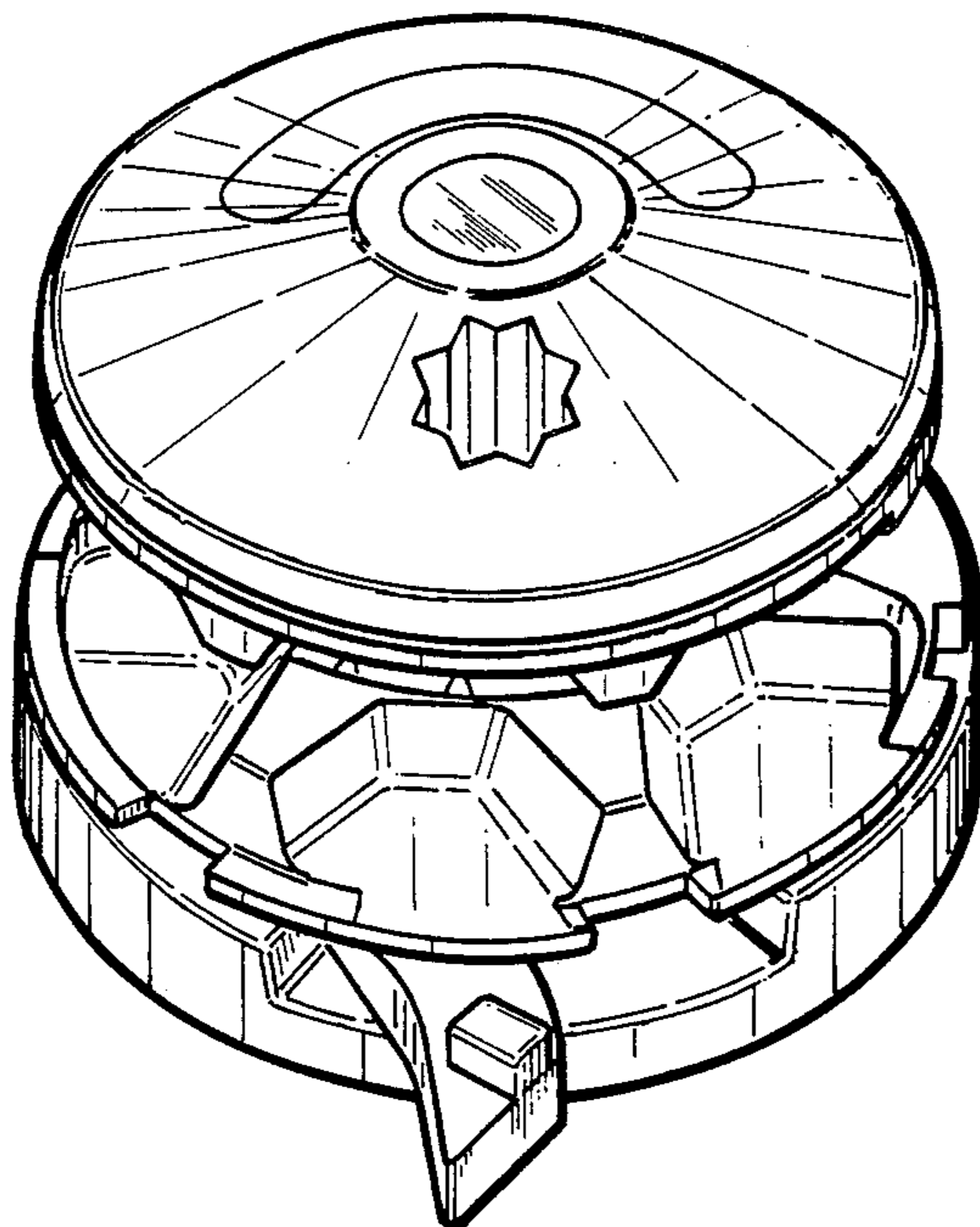
[52] U.S. Cl. D34/33; D34/28; D12/317

FIG. 2 is a bottom plan view thereof;

[58] Field of Search D12/317; D34/33, 34, D34/35, 28; 114/249, 253; 254/369, 218, 371, 374, 265; 280/480

FIG. 3 is a side elevational view thereof, the opposite side elevational view being a mirror image of that shown; and

FIG. 4 is a top perspective view thereof.



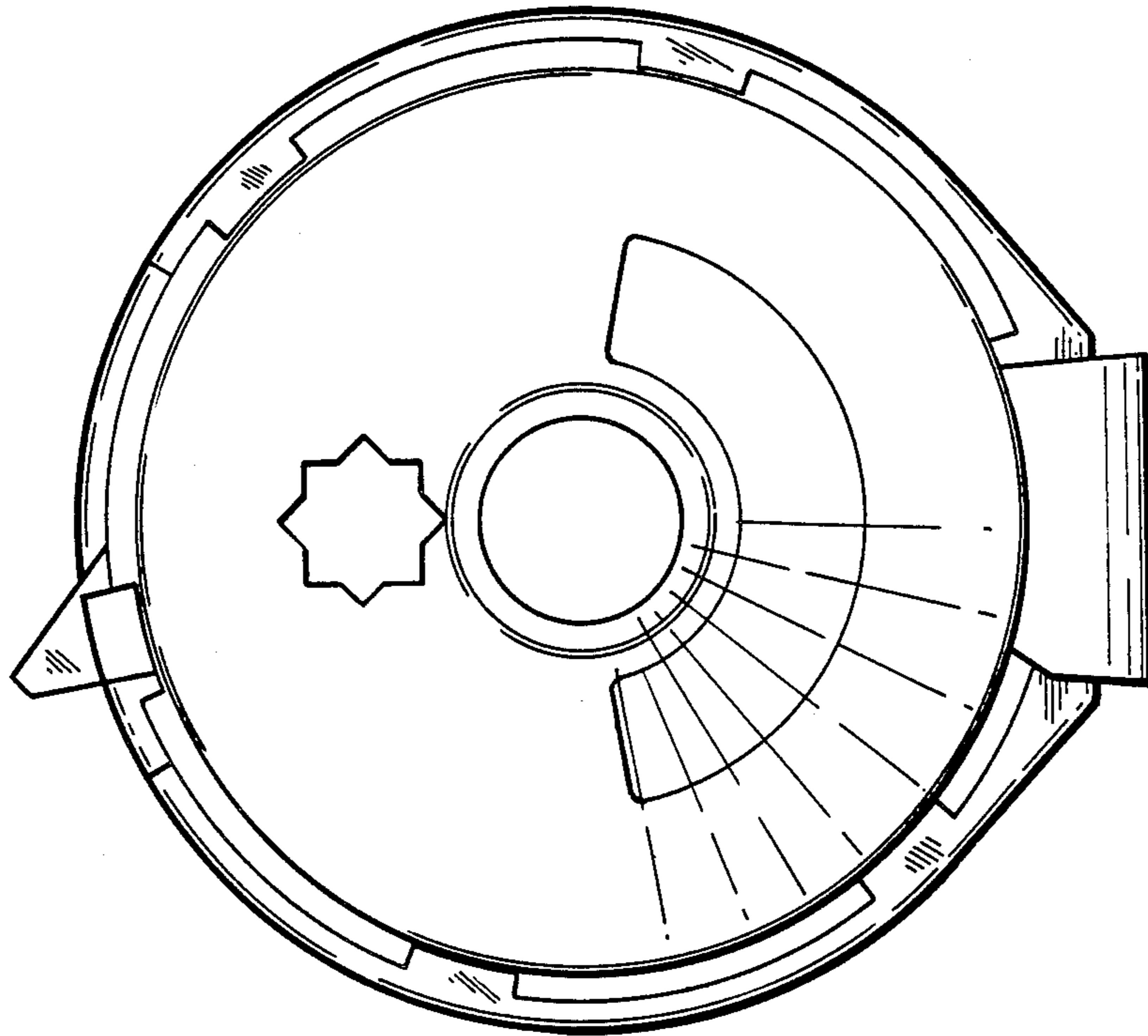


FIG. 1

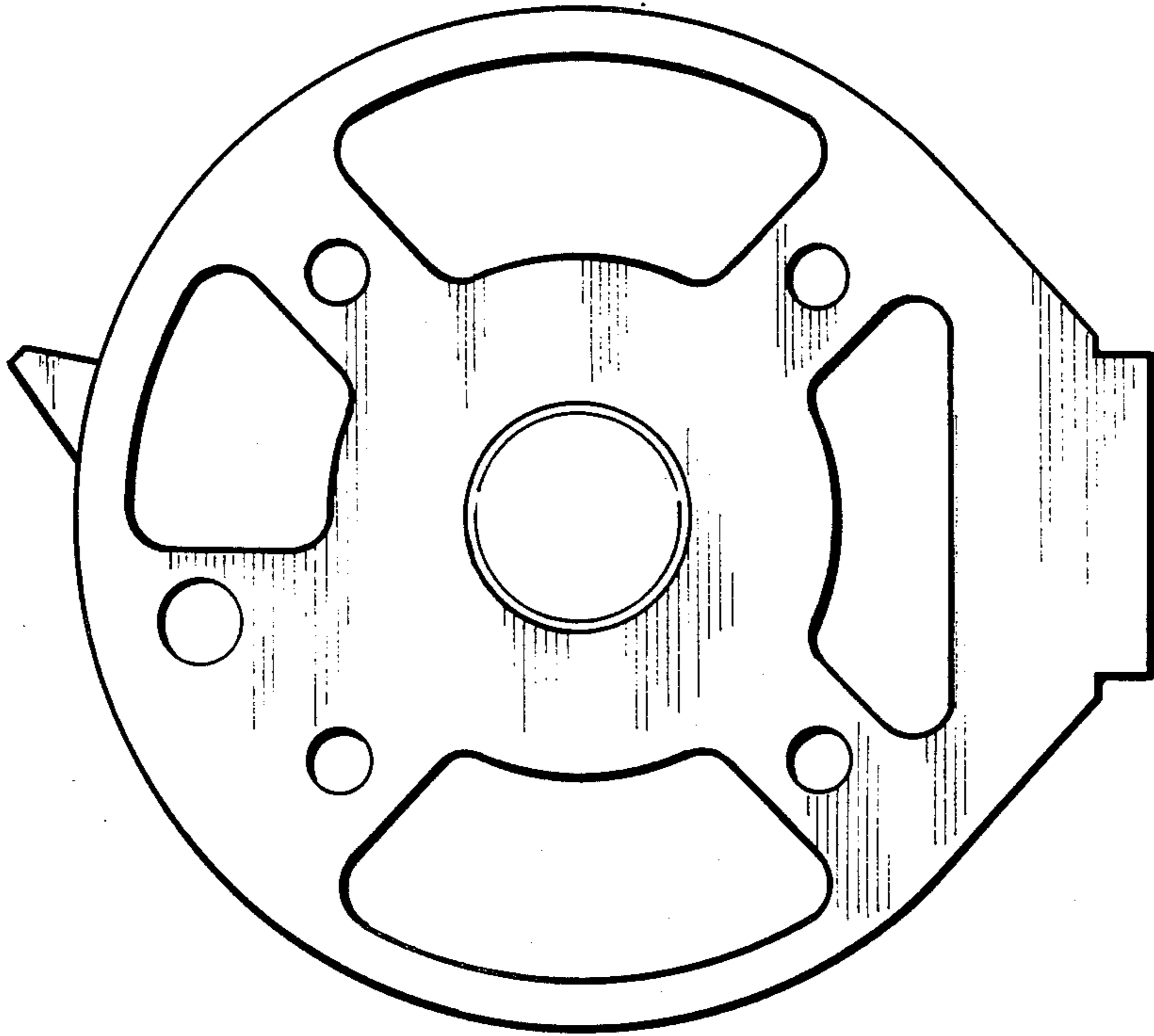


FIG. 2

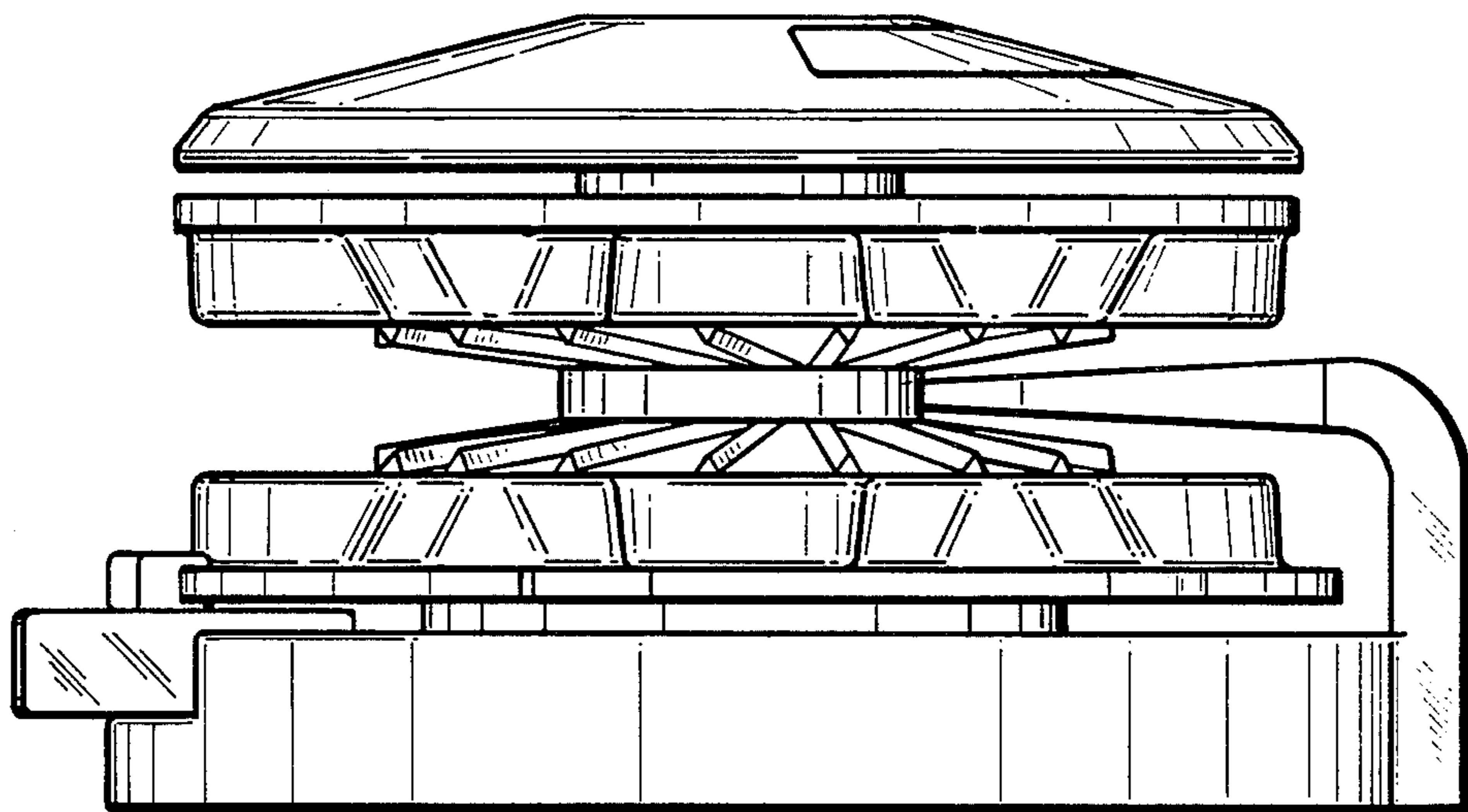


FIG. 3

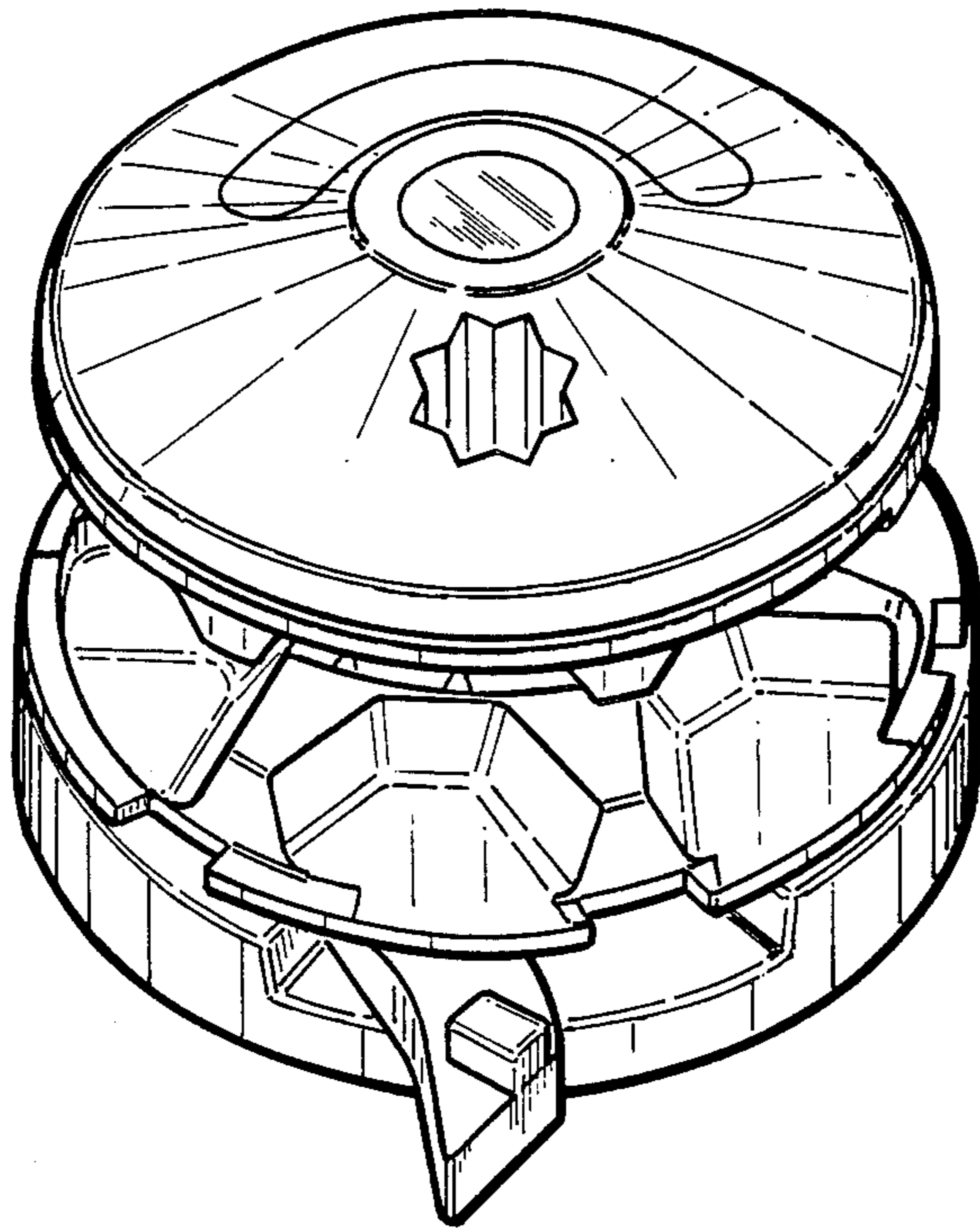


FIG. 4