

[54] **ELEVATING WORKING PLATFORM**

[75] **Inventor:** Mitsuhiro Kishi, Tochigi Prefecture, Japan

[73] **Assignee:** Hikoma Mfg. Co., Ltd., Tochigi Prefecture, Japan

[**] **Term:** 14 Years

[21] **Appl. No.:** 18,124

[22] **Filed:** Feb. 24, 1987

[52] **U.S. Cl.** D34/28

[58] **Field of Search** D34/28; 182/2; 254/9 C; 187/9 R, 17, 18

[56] **References Cited**

U.S. PATENT DOCUMENTS

4,638,887	1/1987	Kishi	187/9 R
4,690,246	9/1987	Hornagold et al.	182/2
4,691,805	9/1987	Kishi	187/9 R

FOREIGN PATENT DOCUMENTS

1420677	1/1976	United Kingdom	182/2
---------	--------	----------------	-------

Primary Examiner—Wallace R. Burke

Assistant Examiner—Kay H. Chin
Attorney, Agent, or Firm—Sughrue, Mion, Zinn, Macpeak & Seas

[57] **CLAIM**

The ornamental design for an elevating working platform, as shown and described.

DESCRIPTION

FIG. 1 is a perspective view of an elevating working platform showing my new design;
FIG. 2 is a right side elevational view thereof, the opposite side being a mirror image thereof;
FIG. 3 is a rear elevational view thereof;
FIG. 4 is a front elevational view thereof;
FIG. 5 is a top plan view thereof, the bottom being plain and unadorned;
FIG. 6 is a perspective view of a second embodiment of the elevating working platform;
FIG. 7 is a right side elevational view of FIG. 6, the opposite side being a mirror image thereof;
FIG. 8 is a rear elevational view of FIG. 6;
FIG. 9 is a front elevational view of FIG. 6; and
FIG. 10 is a top plan view of FIG. 6, the bottom being plain and unadorned.

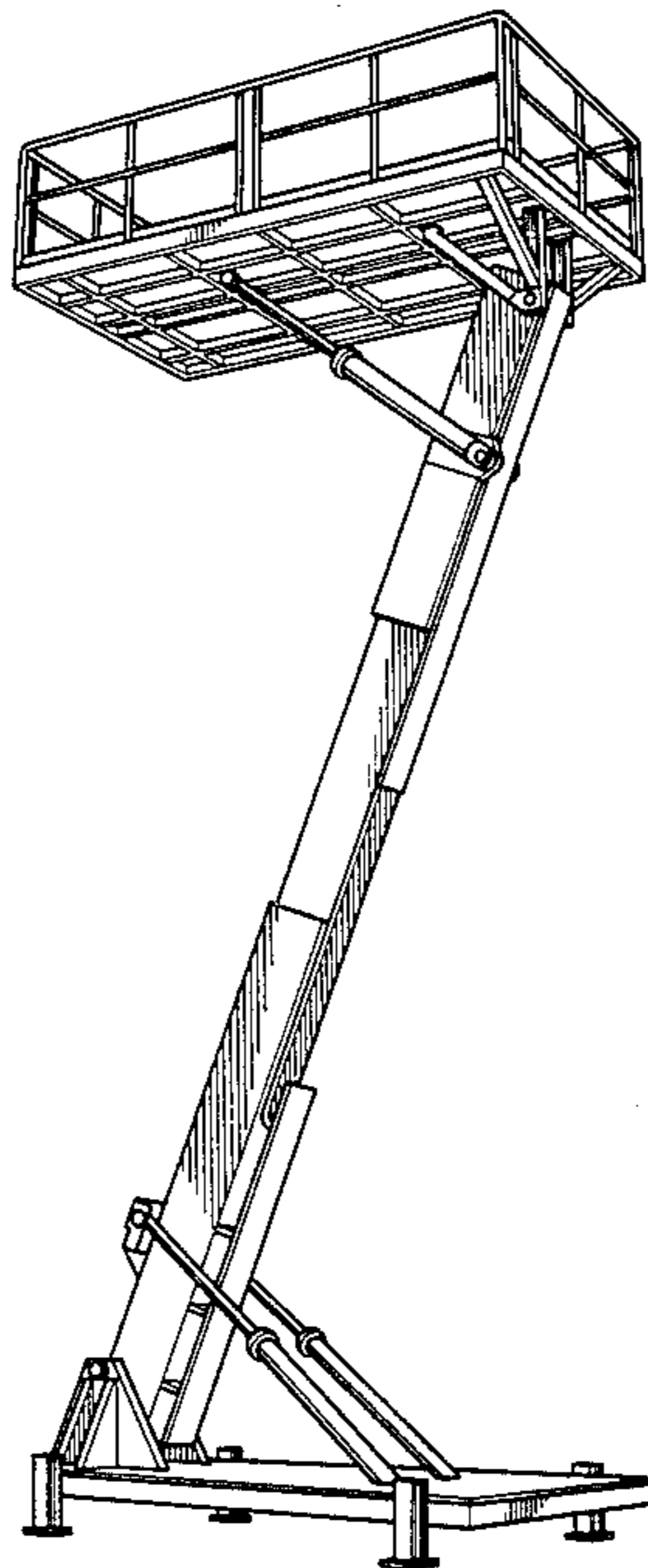


Fig. 1

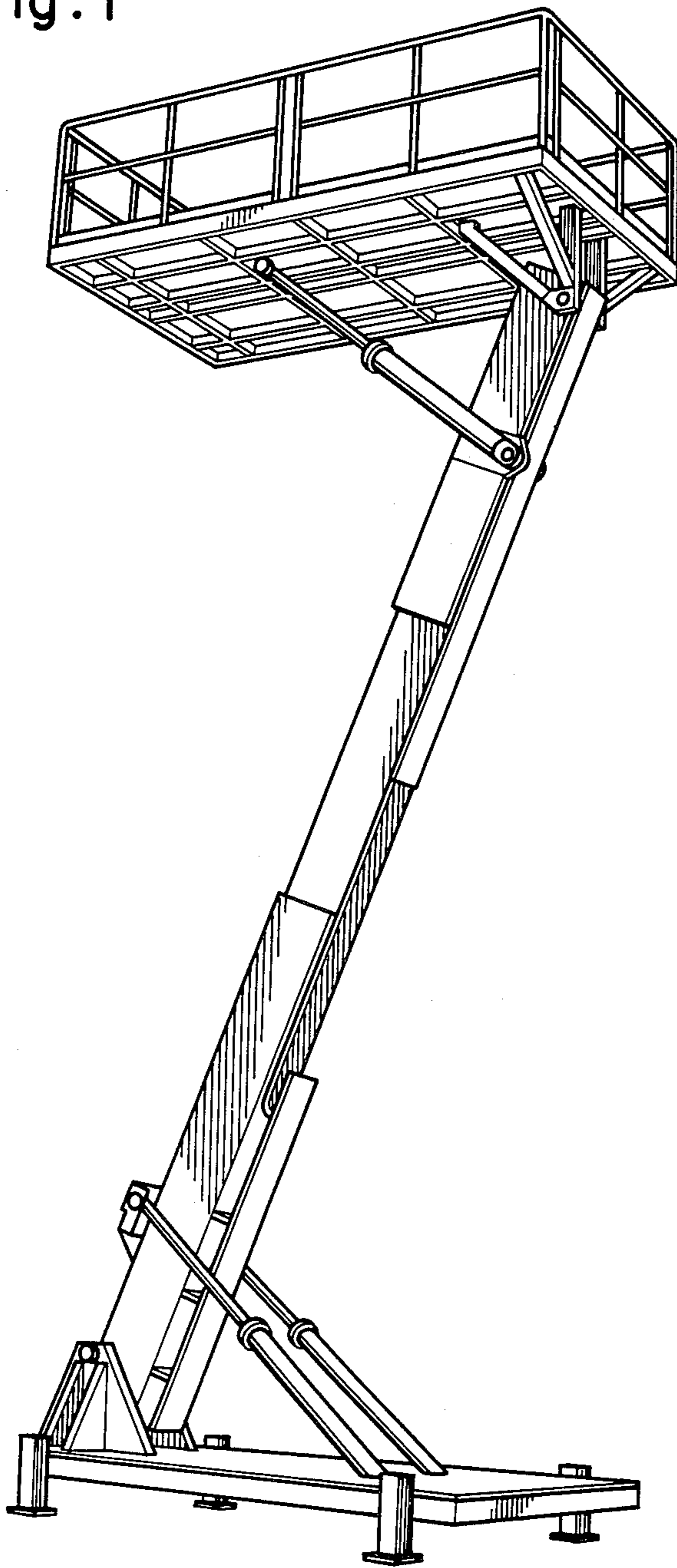


Fig. 2

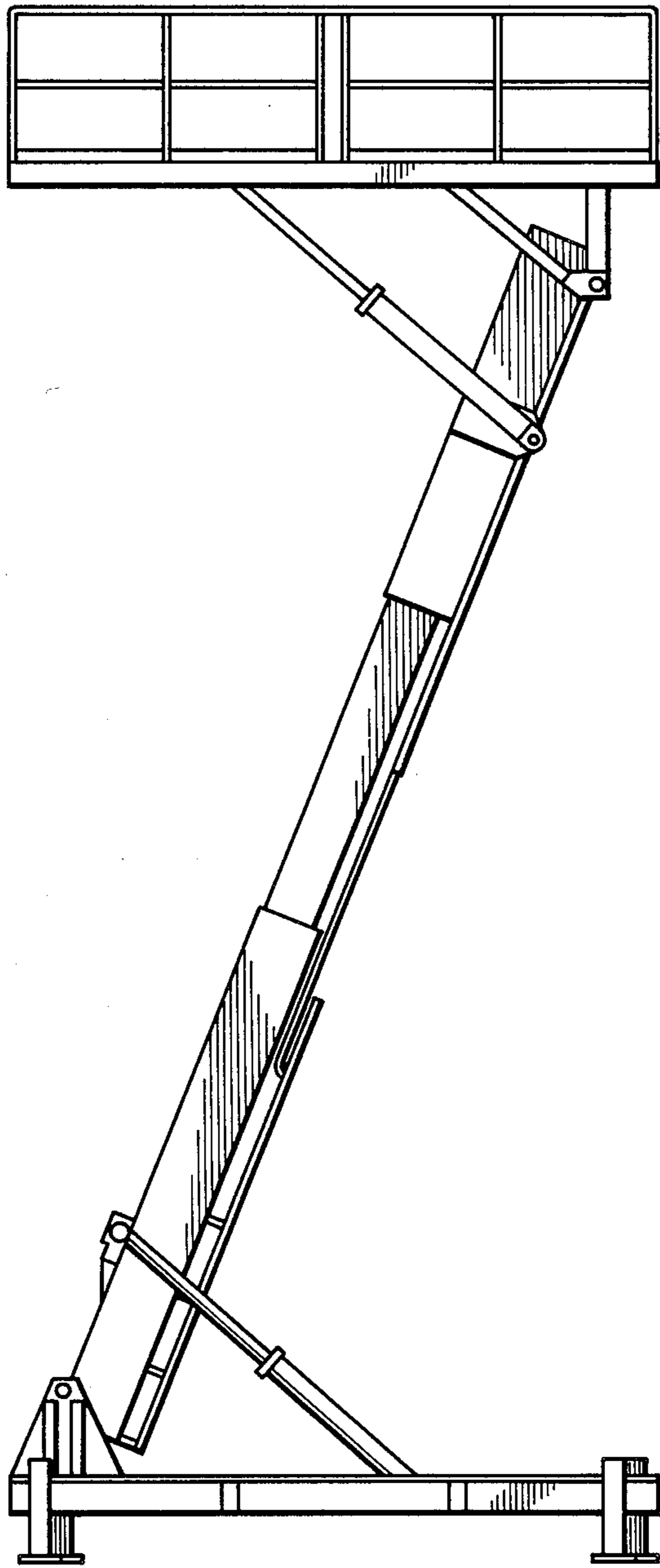


Fig. 3

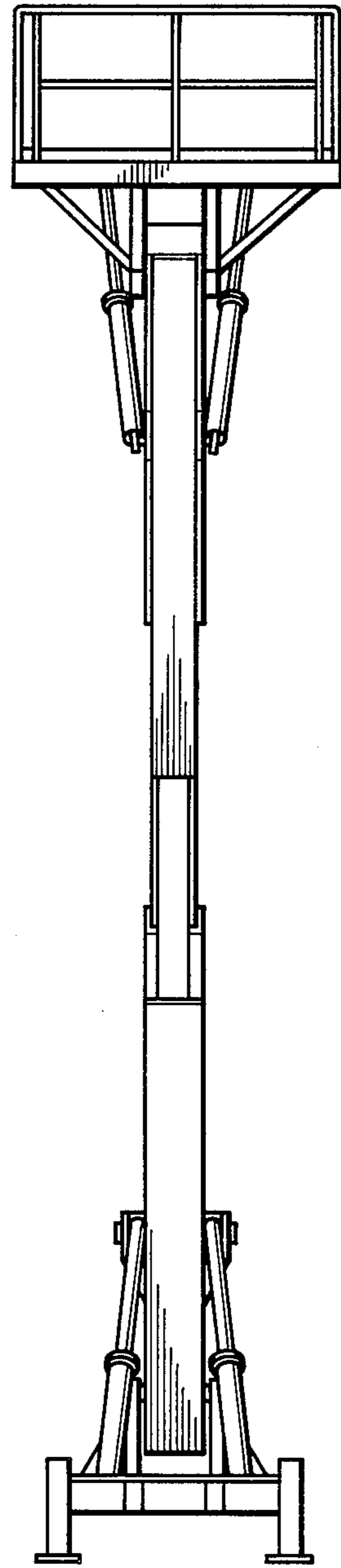


Fig. 4

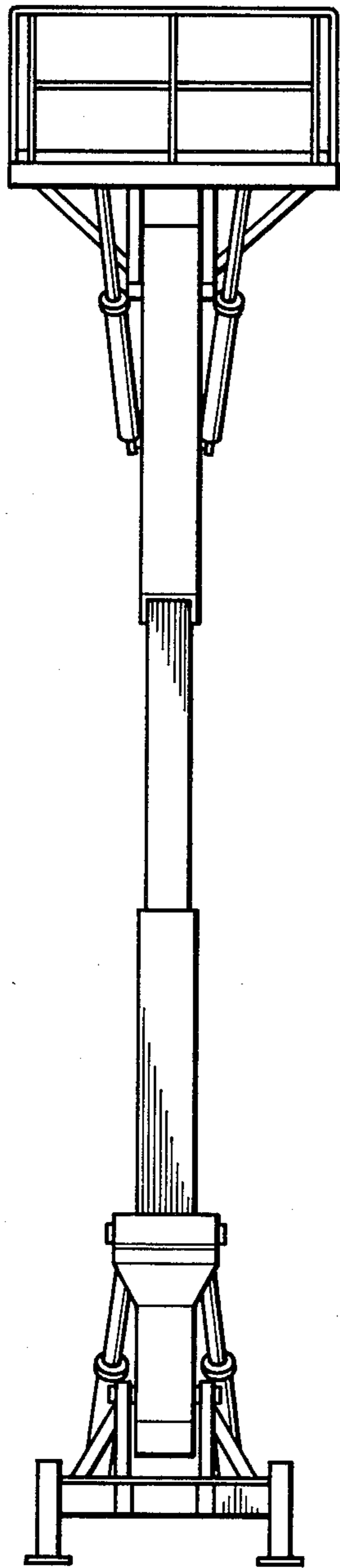


Fig. 5

