

[54] VENTILATING COVER FOR CONTAINER

D. 271,554 11/1983 Grusin D9/435
1,509,549 9/1924 Freeland 217/42
4,613,053 9/1986 Kimura 220/22

[76] Inventor: Seo Y. Jun, 1-1205, Hongsil
Apartment, 79 Samsung-Dong,
Kangnam-Ku, Seoul, D.P.R. of
Korea

Primary Examiner—Louis S. Zarfes
Assistant Examiner—R. Seifert
Attorney, Agent, or Firm—Burns, Doane, Swecker &
Mathis

[**] Term: 14 Years

[21] Appl. No.: 823,040

[57] CLAIM

[22] Filed: Jan. 27, 1986

The ornamental design a ventilating cover for container, as shown and described.

[30] Foreign Application Priority Data

DESCRIPTION

Sep. 23, 1985 [KP] D.P.R. of Korea 13525/1985

[52] U.S. Cl. D34/28

[58] Field of Search D9/434, 435; 229/43;
220/220, DIG. 27, 366, 367, 22; 215/200 T;
217/42, 74; D3/30.1; D34/28

FIG. 1 is a front perspective view of a ventilating cover for container showing my new design;
FIG. 2 is top plan view thereof;
FIG. 3 is bottom plan view thereof;
FIG. 4 is front elevational view thereof;
FIG. 5 is a rear elevational view thereof;
FIG. 6 is a right side elevational view the left side being a mirror image thereof;
FIG. 7 is a sectional view taken in the direction of the arrows 7—7 of FIG. 2.

[56] References Cited

U.S. PATENT DOCUMENTS

D. 164,628 9/1951 Davis D9/435
D. 257,939 1/1981 Conti D9/435

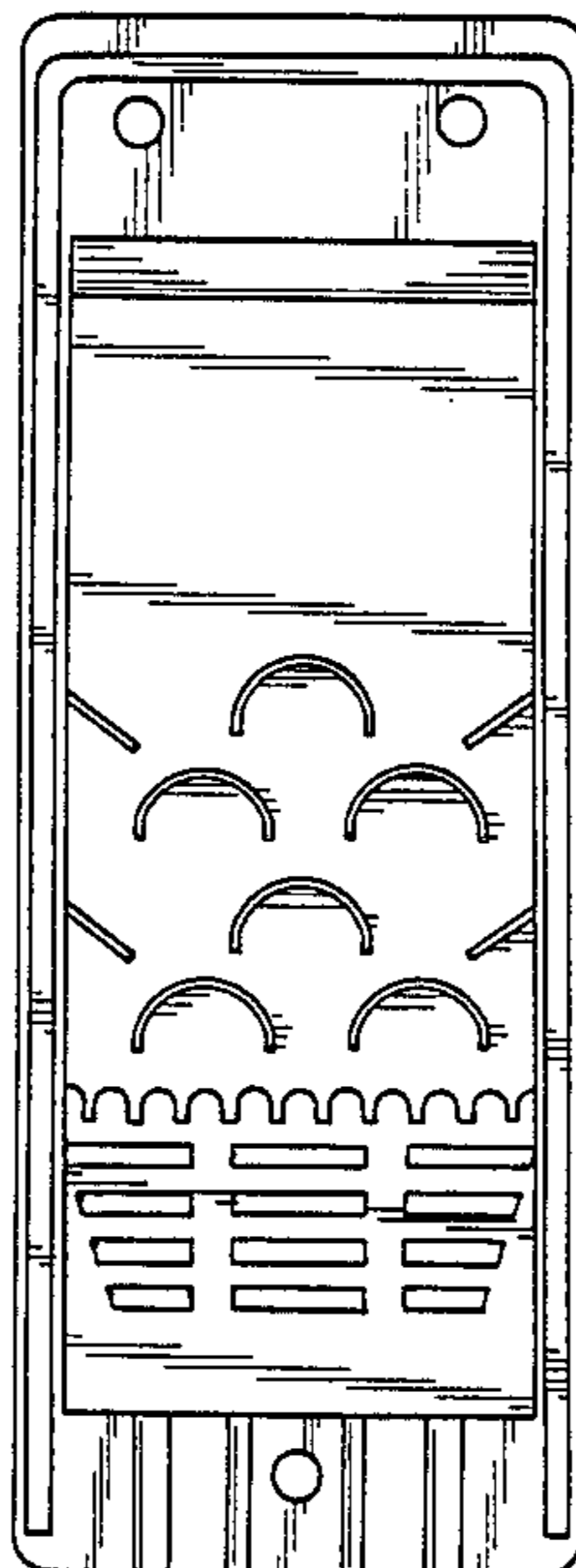
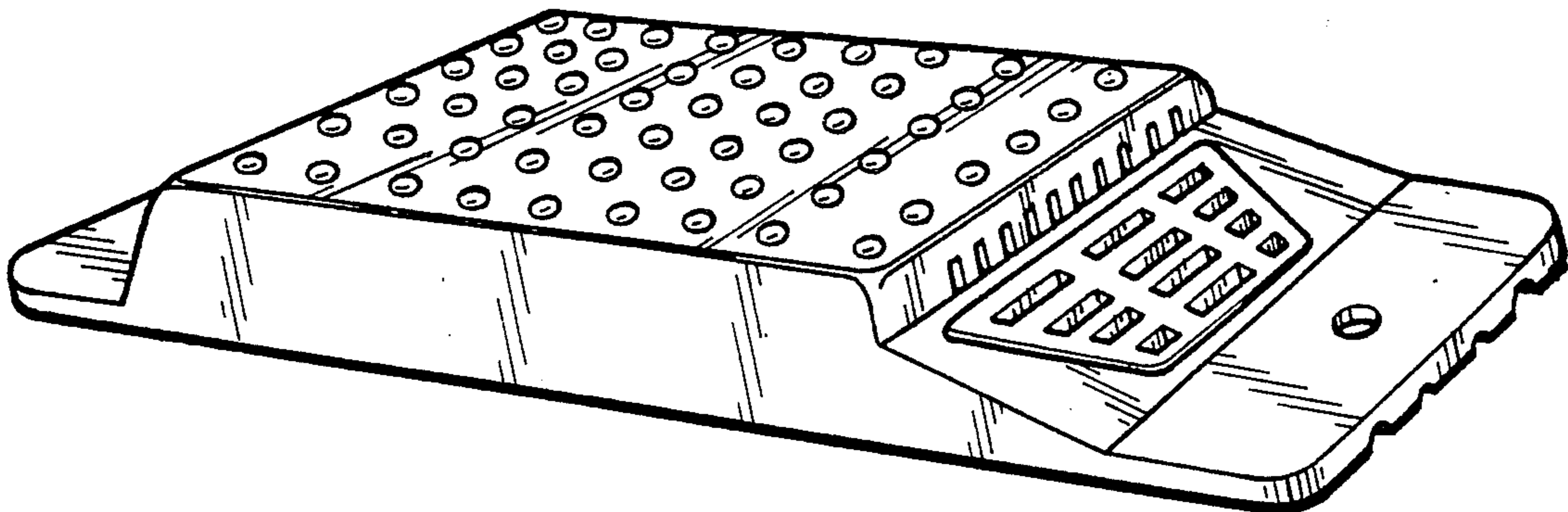


Fig 1.

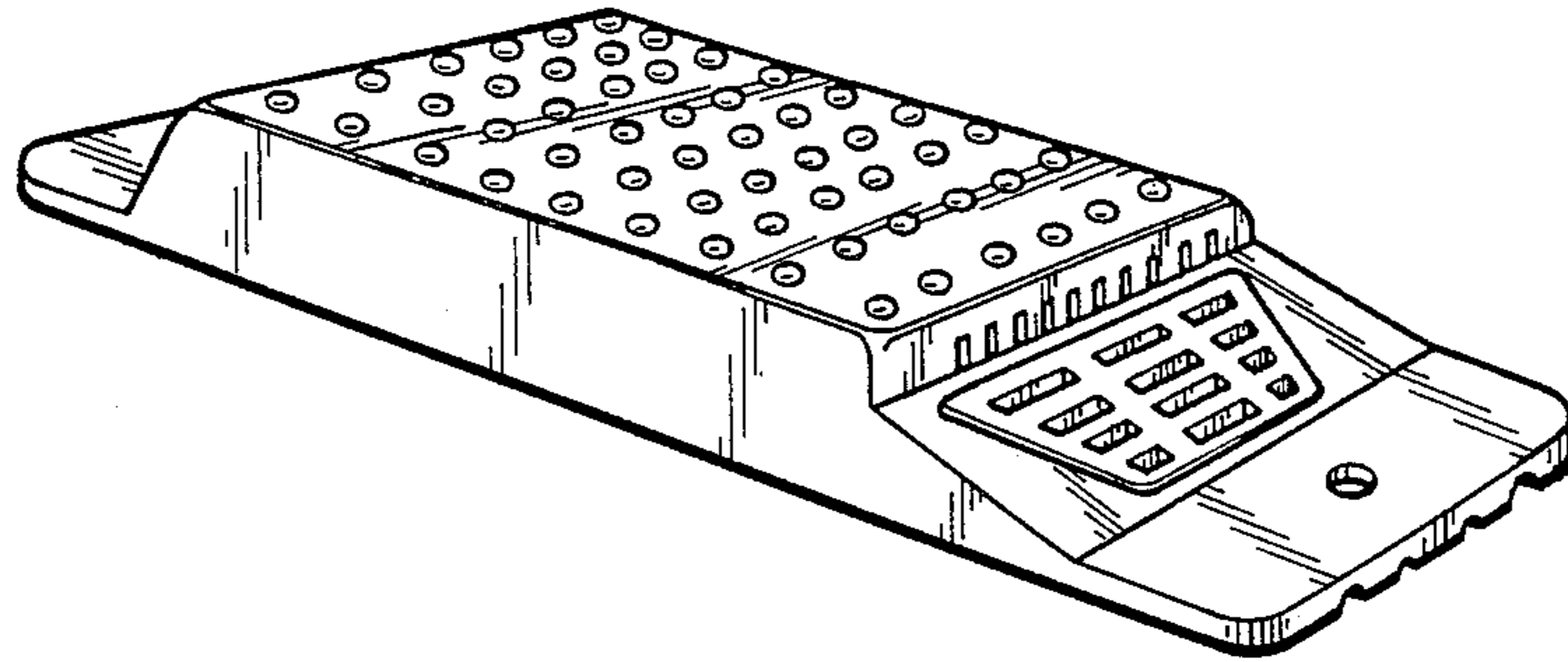
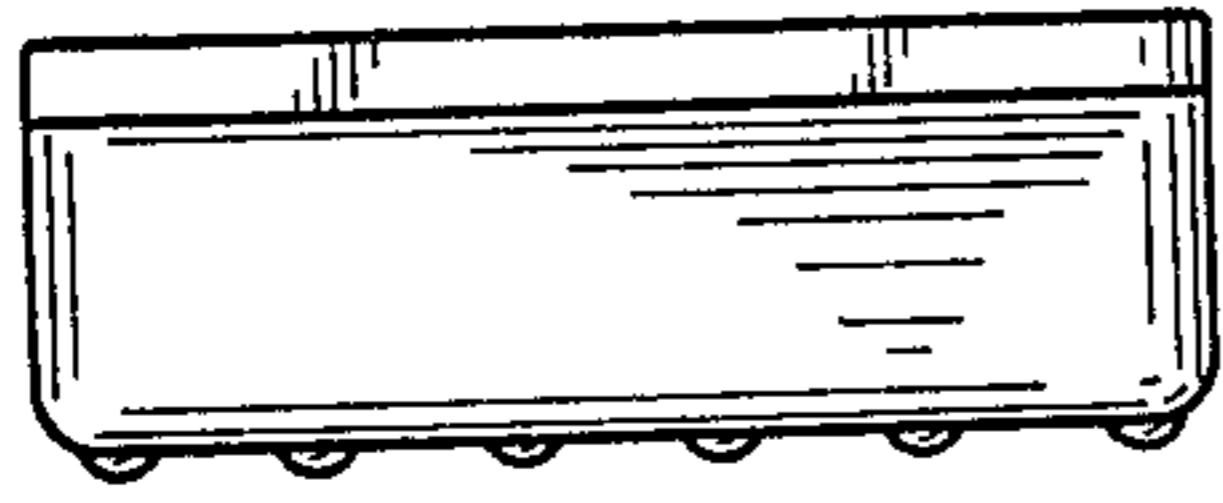


Fig 2.

7



7

Fig 3.

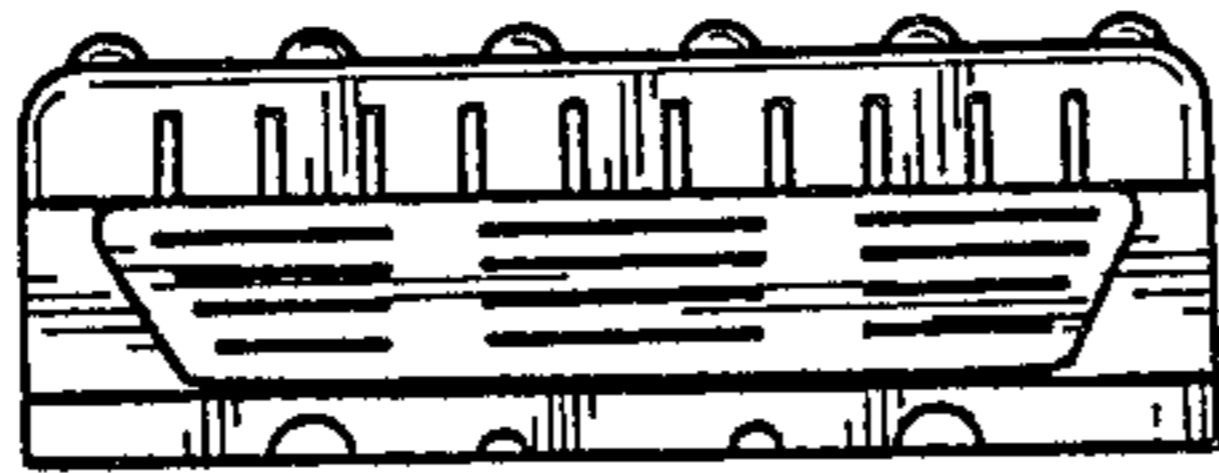


Fig 4.

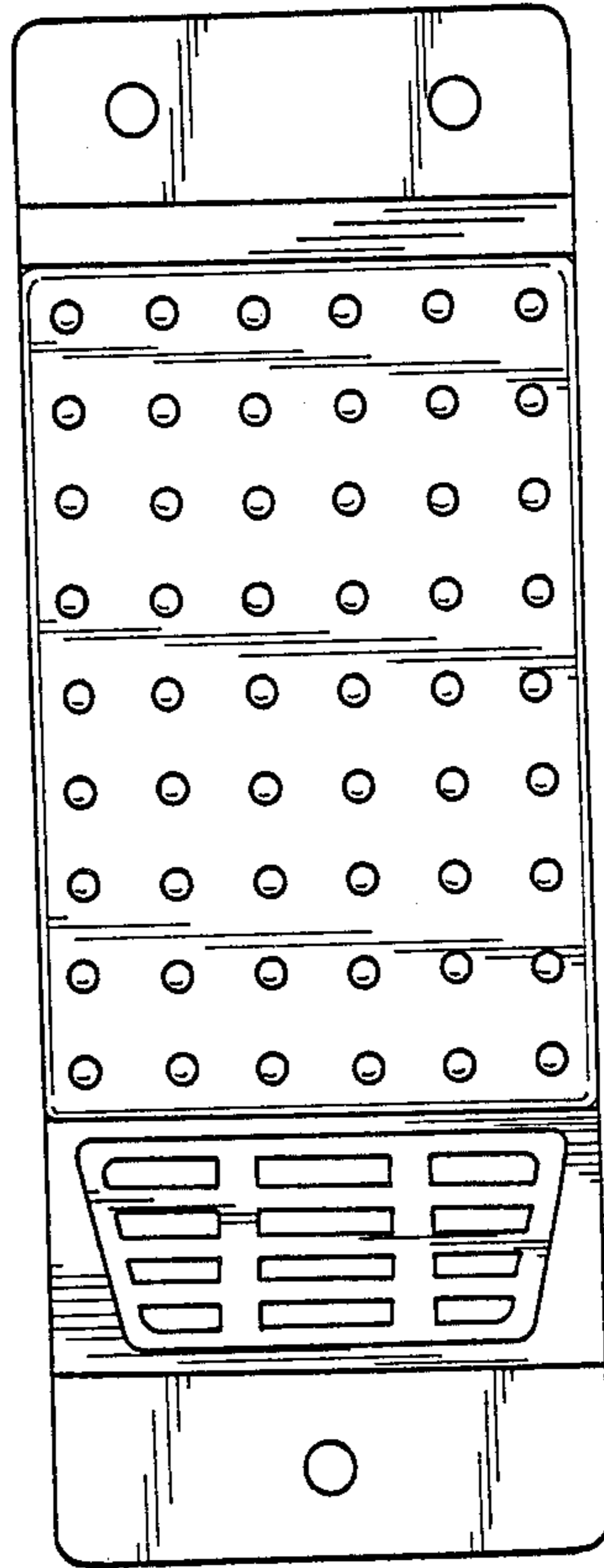


Fig 5.

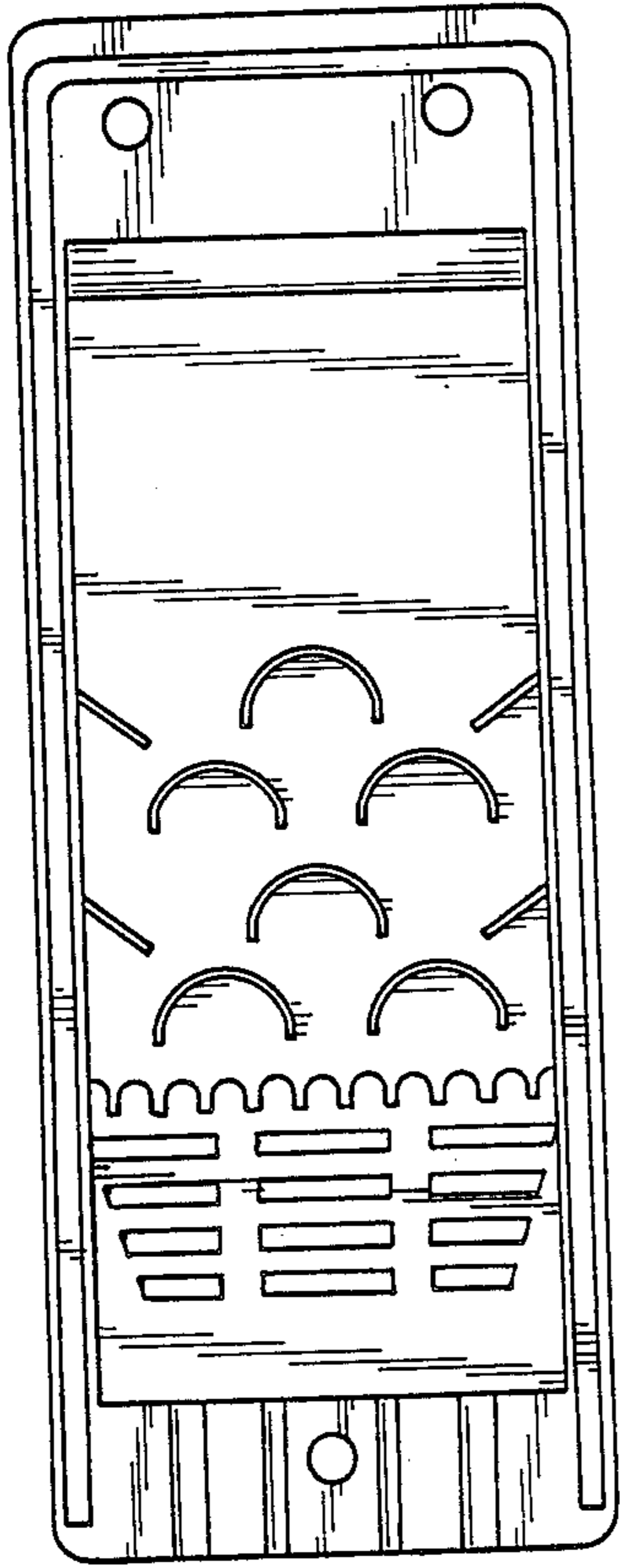


Fig 6.

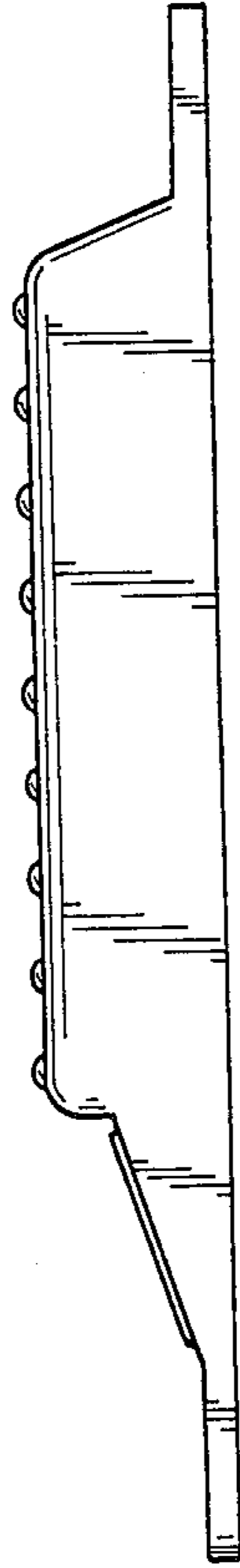


Fig 7.

