

[54] ICE CHEST CARRIER

[76] Inventor: Mark A. David, 513A Water's Edge, Newport News, Va. 23606

[**] Term: 14 Years

[21] Appl. No.: 83,298

[22] Filed: Aug. 10, 1987

[52] U.S. Cl. D34/24; D34/26

[58] Field of Search D34/12, 17, 24, 26, D34/25; 280/47.26, 47.24, 47.34, 79.3

[56] References Cited

U.S. PATENT DOCUMENTS

- D. 227,880 7/1973 Steinhoff D34/24
- D. 279,807 7/1985 Anacker D34/24
- 3,650,419 3/1972 Upshur et al. 280/79.3

- 4,310,166 1/1982 Eicher 280/47.24
- 4,316,615 2/1982 Willette 280/47.26

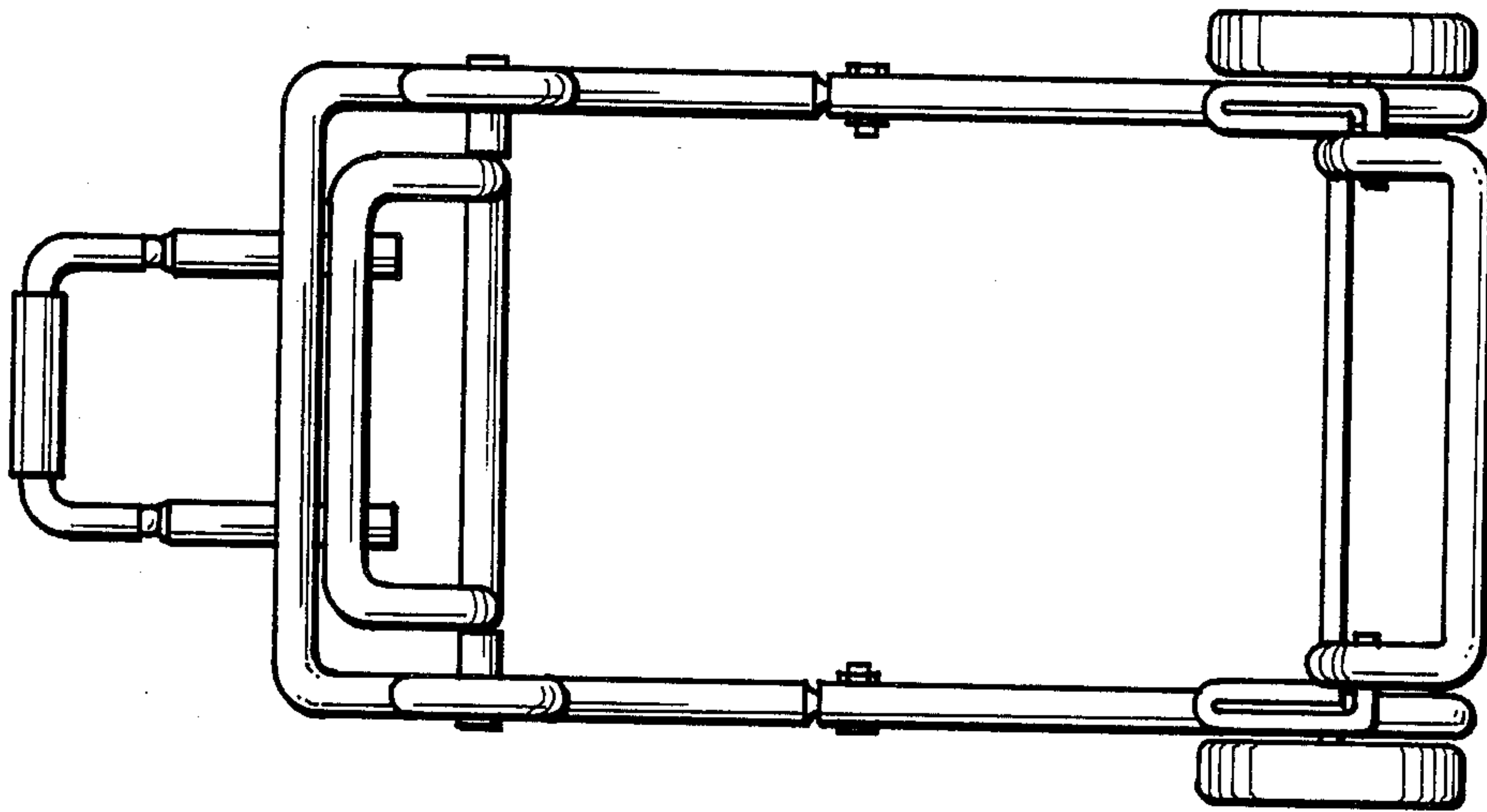
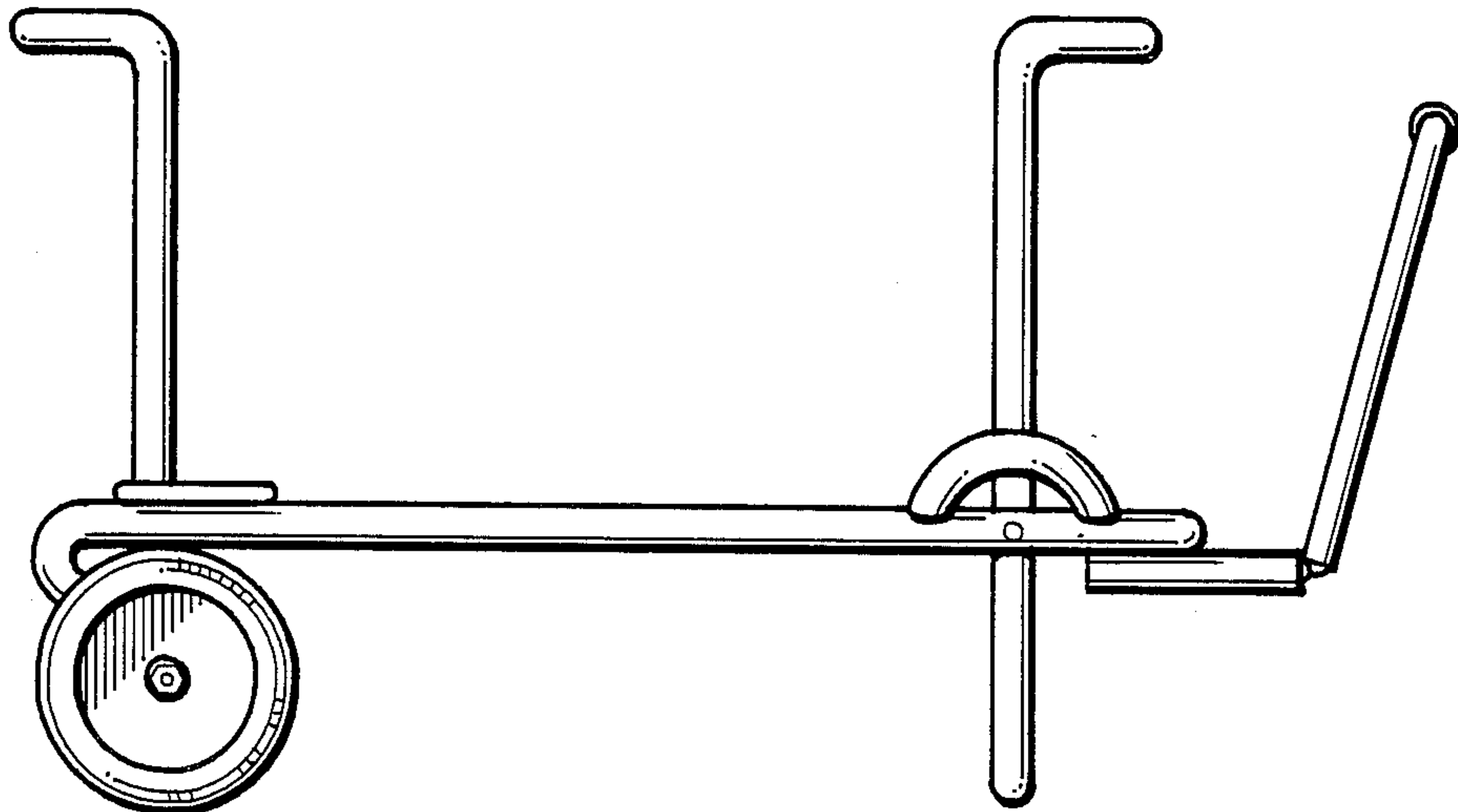
Primary Examiner—Wallace R. Burke
Assistant Examiner—Kay H. Chin
Attorney, Agent, or Firm—Jerry T. Kearns

[57] CLAIM

The ornamental design for a ice chest carrier, as shown and described.

DESCRIPTION

FIG. 1 is a front elevational view of a ice chest carrier showing my new design;
FIG. 2 is a rear elevational view thereof;
FIG. 3 is a left side elevational view thereof;
FIG. 4 is a right side elevational view thereof;
FIG. 5 is a top plan view thereof; and,
FIG. 6 is a bottom plan view thereof.



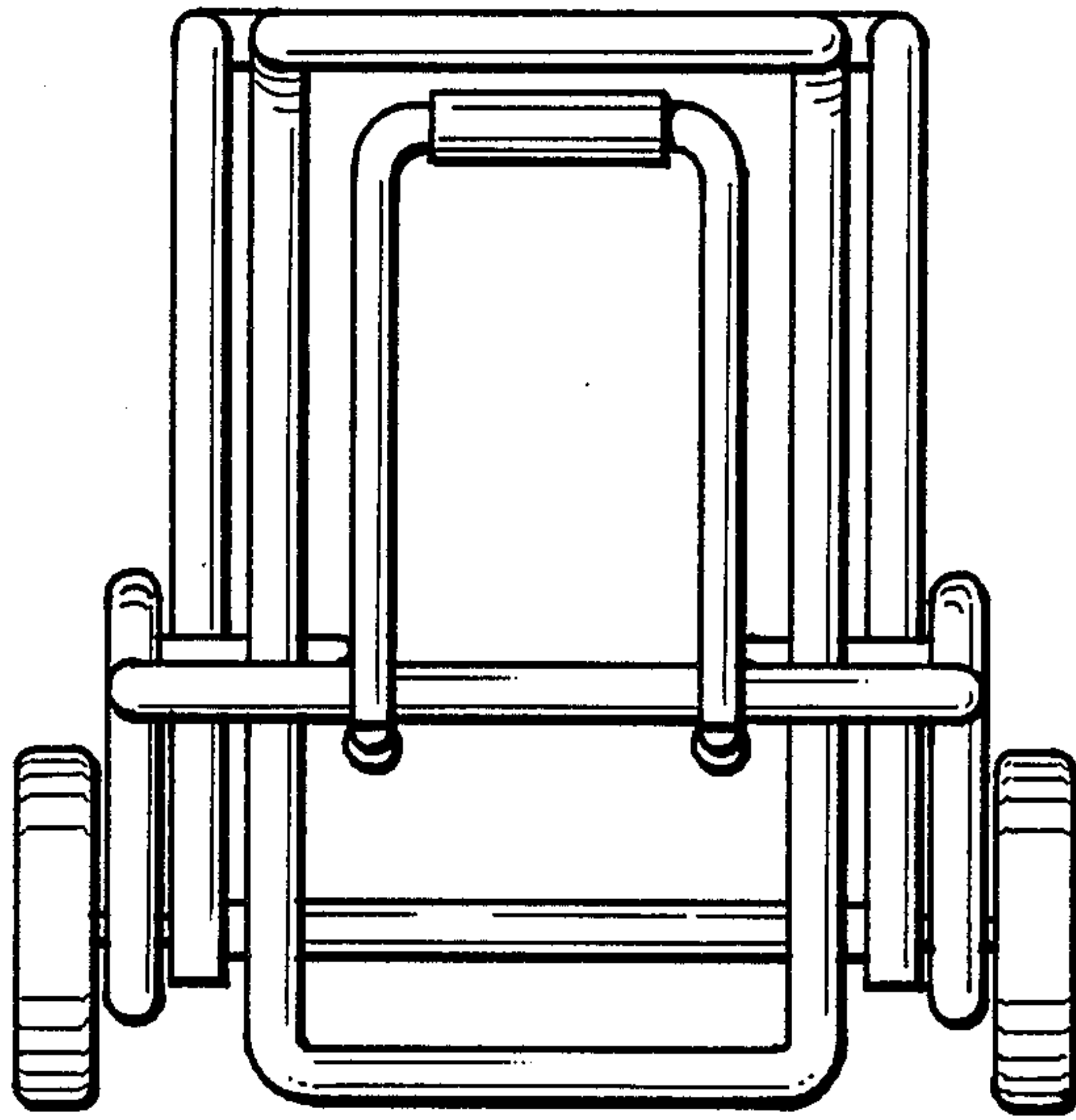


Fig. 1

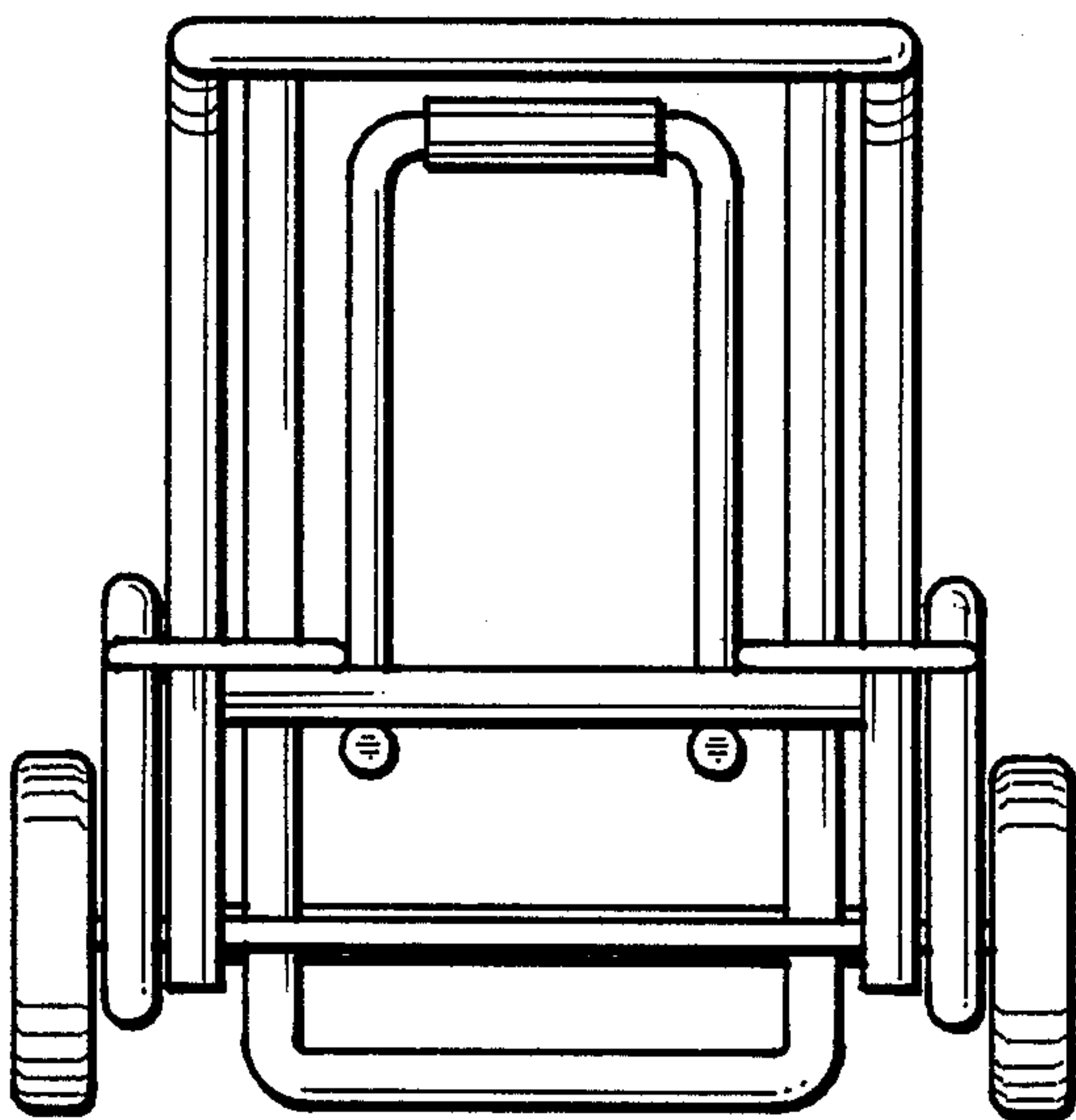


Fig. 2

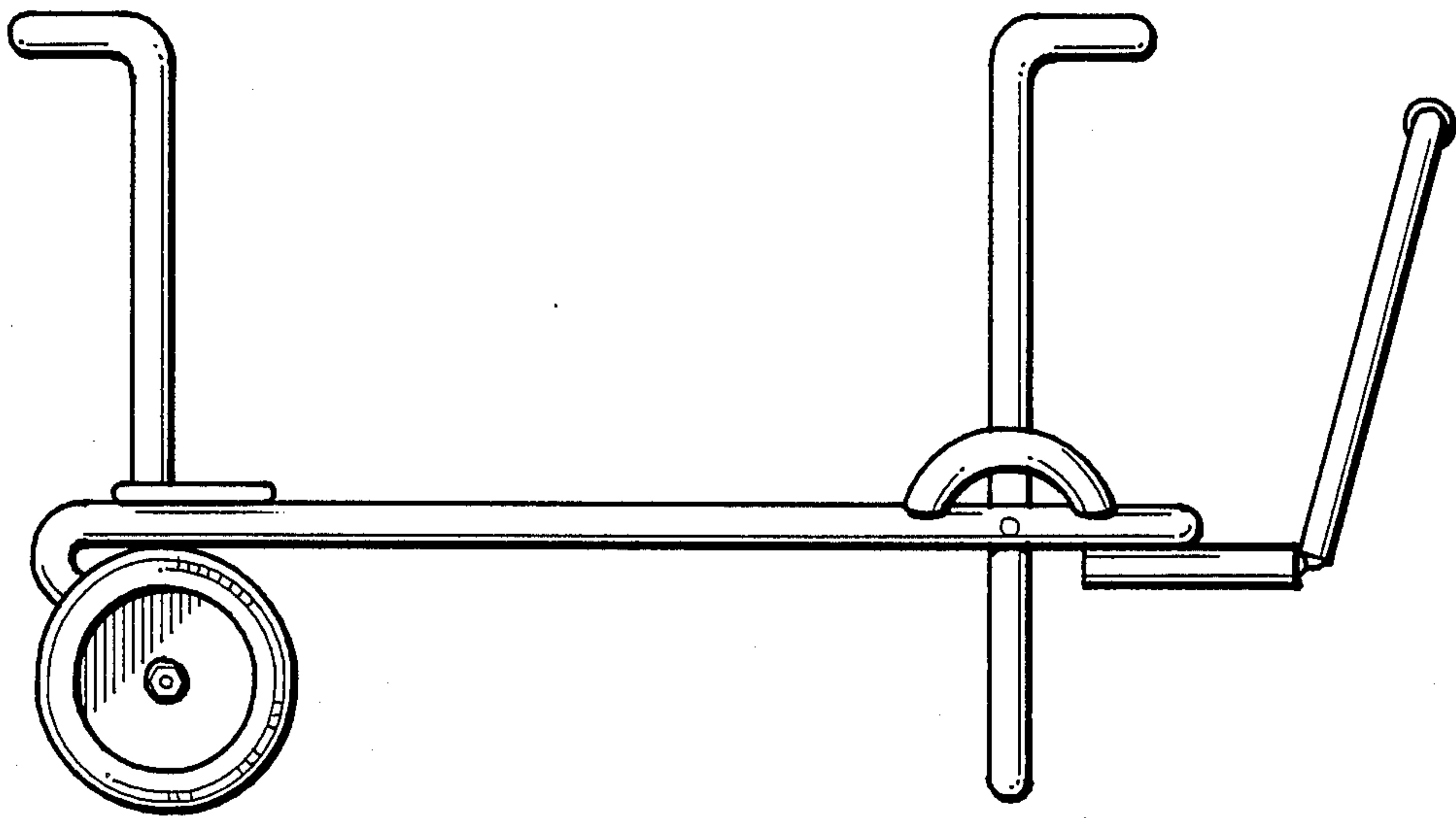


Fig. 3

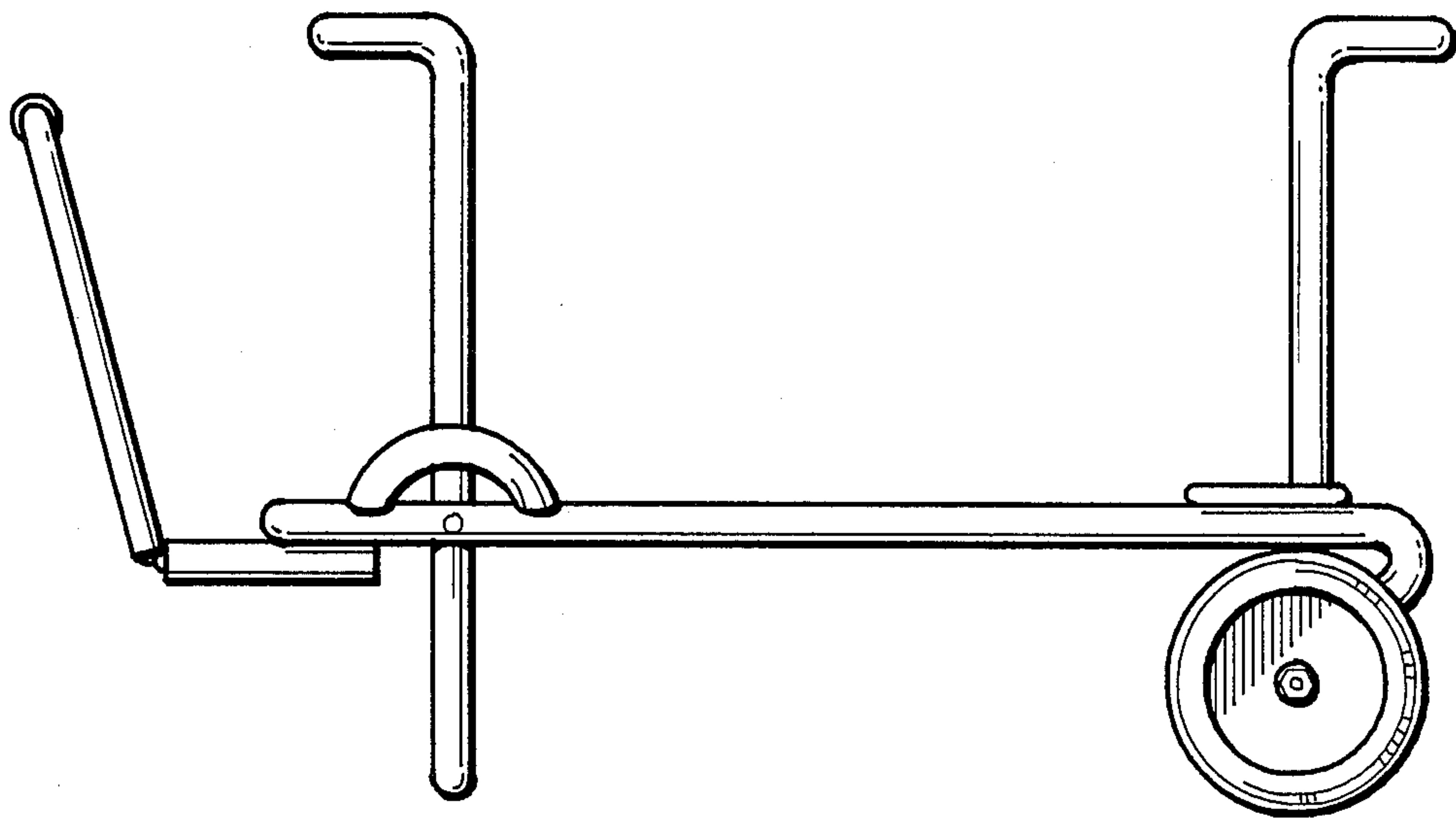


Fig. 4

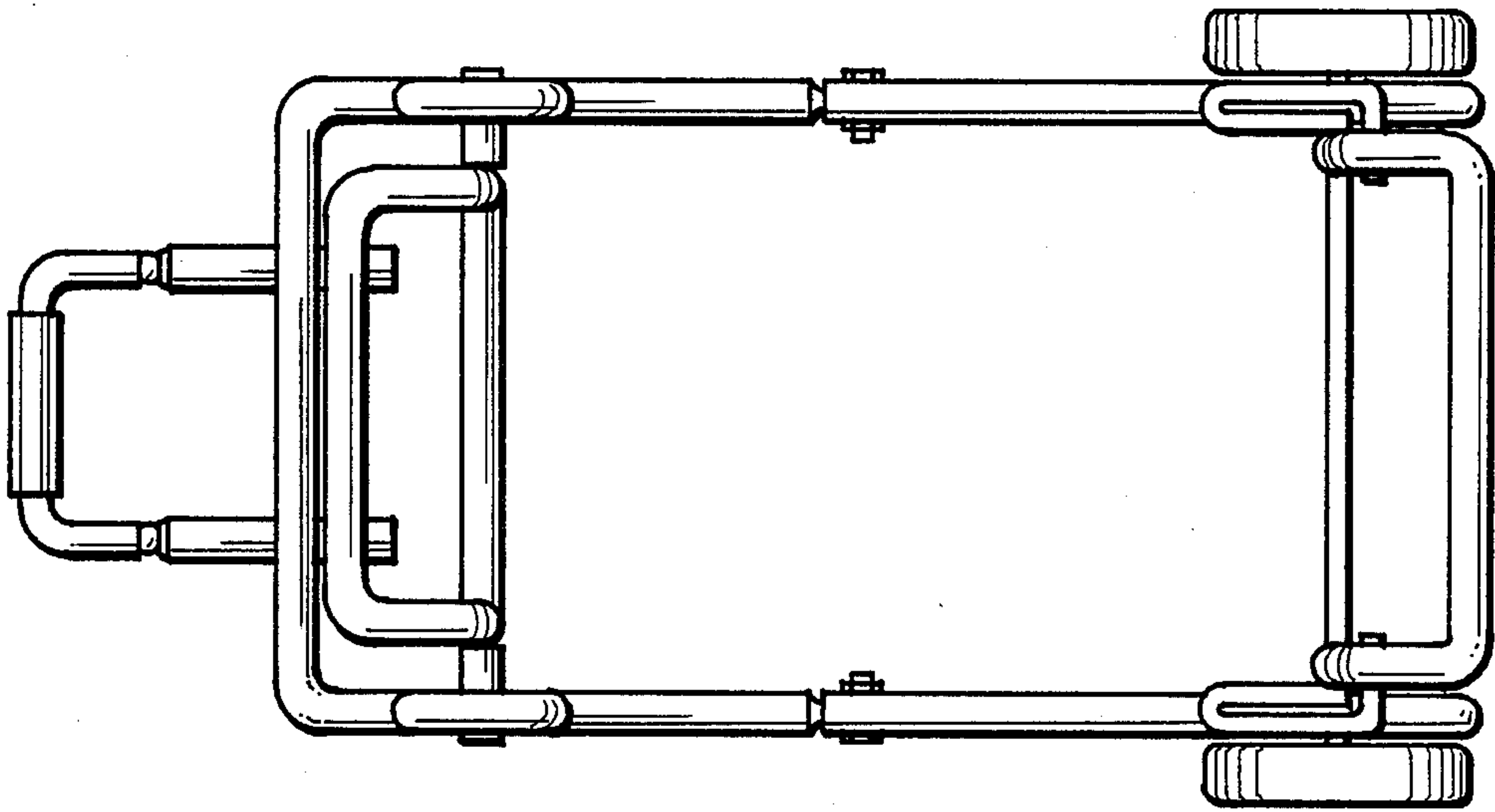


Fig. 5

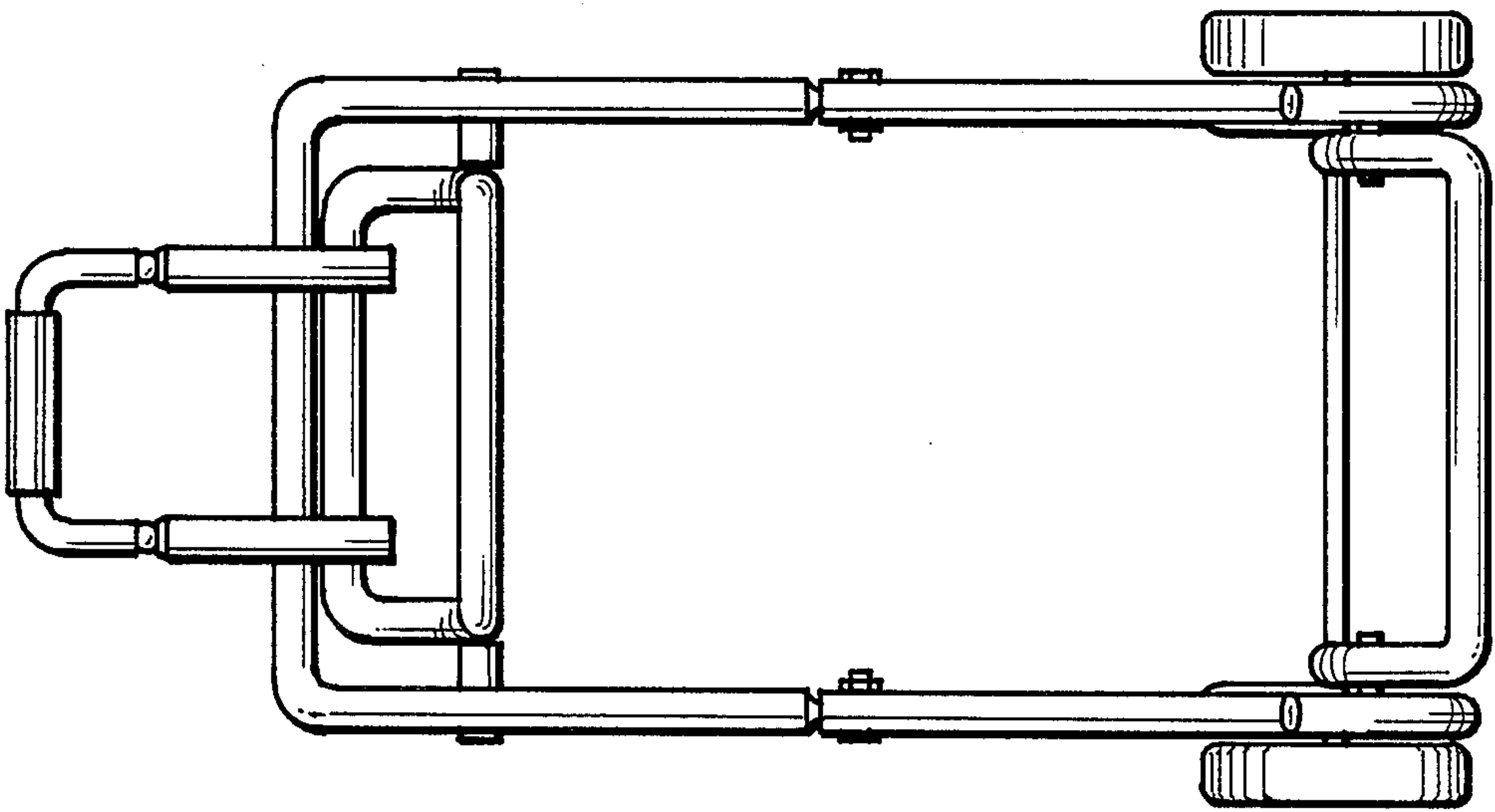


Fig. 6