

# United States Patent [19]

Bettess

[11] Patent Number: **Des. 304,112**

[45] Date of Patent: **\*\* Oct. 17, 1989**

[54] **CART FOR USE AS STAND OR WORK STATION TABLE**

[75] Inventor: **Peter D. Bettess, Belair, Australia**

[73] Assignee: **Micro-Shuttle Australia Pty. Ltd., Marlestone, Australia**

[\*\*] Term: **14 Years**

[21] Appl. No.: **934,418**

[22] Filed: **Nov. 24, 1986**

[30] **Foreign Application Priority Data**

Jul. 30, 1986 [AU] Australia ..... 6108/86

[52] U.S. Cl. .... **D34/21; D6/474**

[58] Field of Search ..... **D34/21, 12, 14, 23, D34/22, 17; 211/149; 280/47.35, 79.1 A, 79.3; D6/474, 478**

[56] **References Cited**

**U.S. PATENT DOCUMENTS**

D. 288,157 2/1987 Sandor ..... D6/474

D. 290,199 6/1987 Hampshire ..... D6/474  
D. 296,143 6/1988 Bettess ..... D34/21  
1,961,394 6/1934 Rothe ..... D34/21  
3,827,376 8/1974 Solomon ..... 211/149

*Primary Examiner*—Wallace R. Burke  
*Assistant Examiner*—Kay H. Chin  
*Attorney, Agent, or Firm*—Brown, Martin, Haller & McClain

[57] **CLAIM**

The ornamental design for a cart for use as stand or work station table, as shown and described.

**DESCRIPTION**

FIG. 1 is a front perspective view of a cart for use as a stand or work station table showing my new design.  
FIG. 2 is a rear perspective view thereof;  
FIG. 3 is a top plan view thereof;  
FIG. 4 is a bottom plan view thereof;  
FIG. 5 is a left side elevational view thereof;  
FIG. 6 is a front elevational view thereof;  
FIG. 7 is a rear elevational view thereof; and  
FIG. 8 is a right side elevational view thereof.



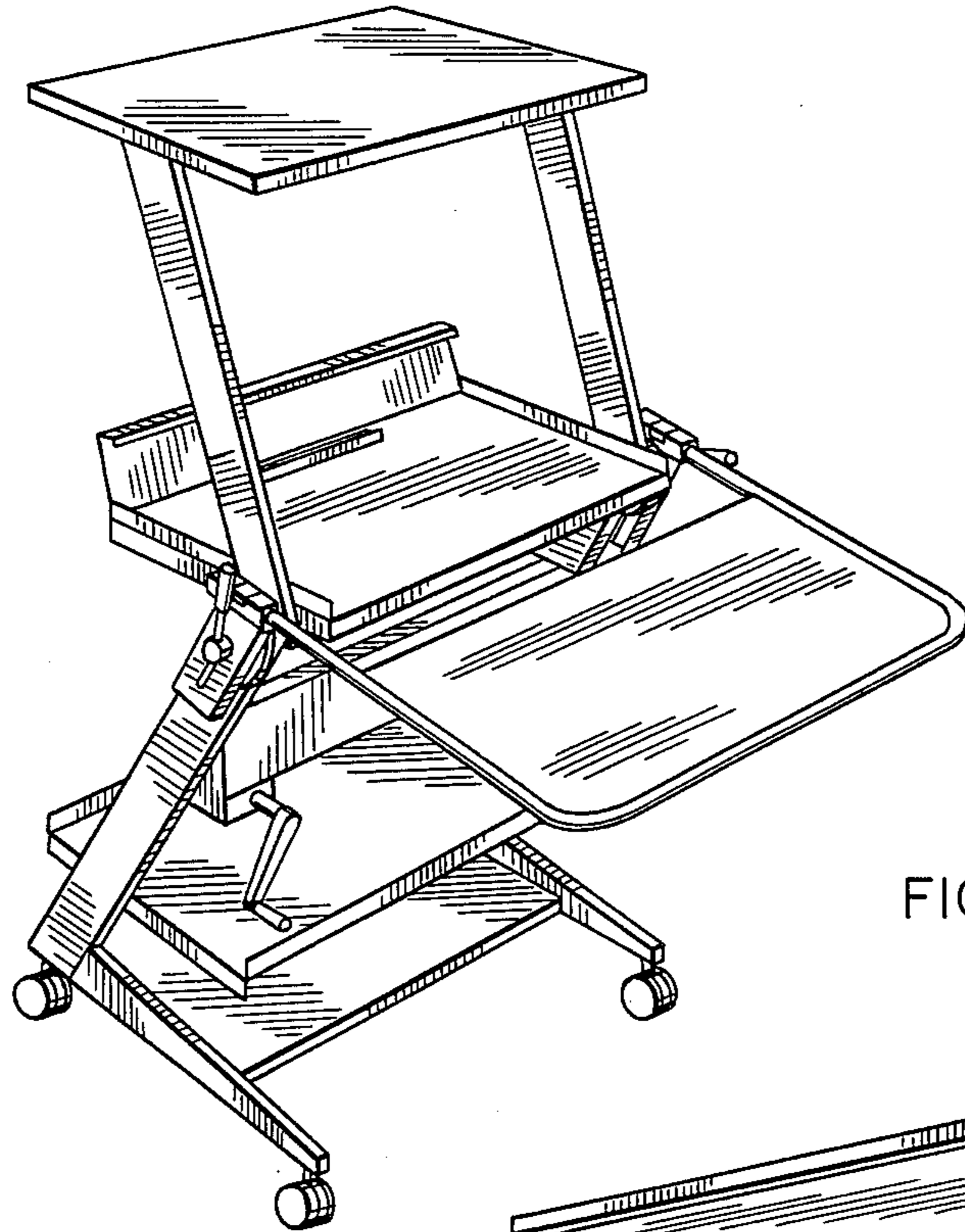


FIG. 1

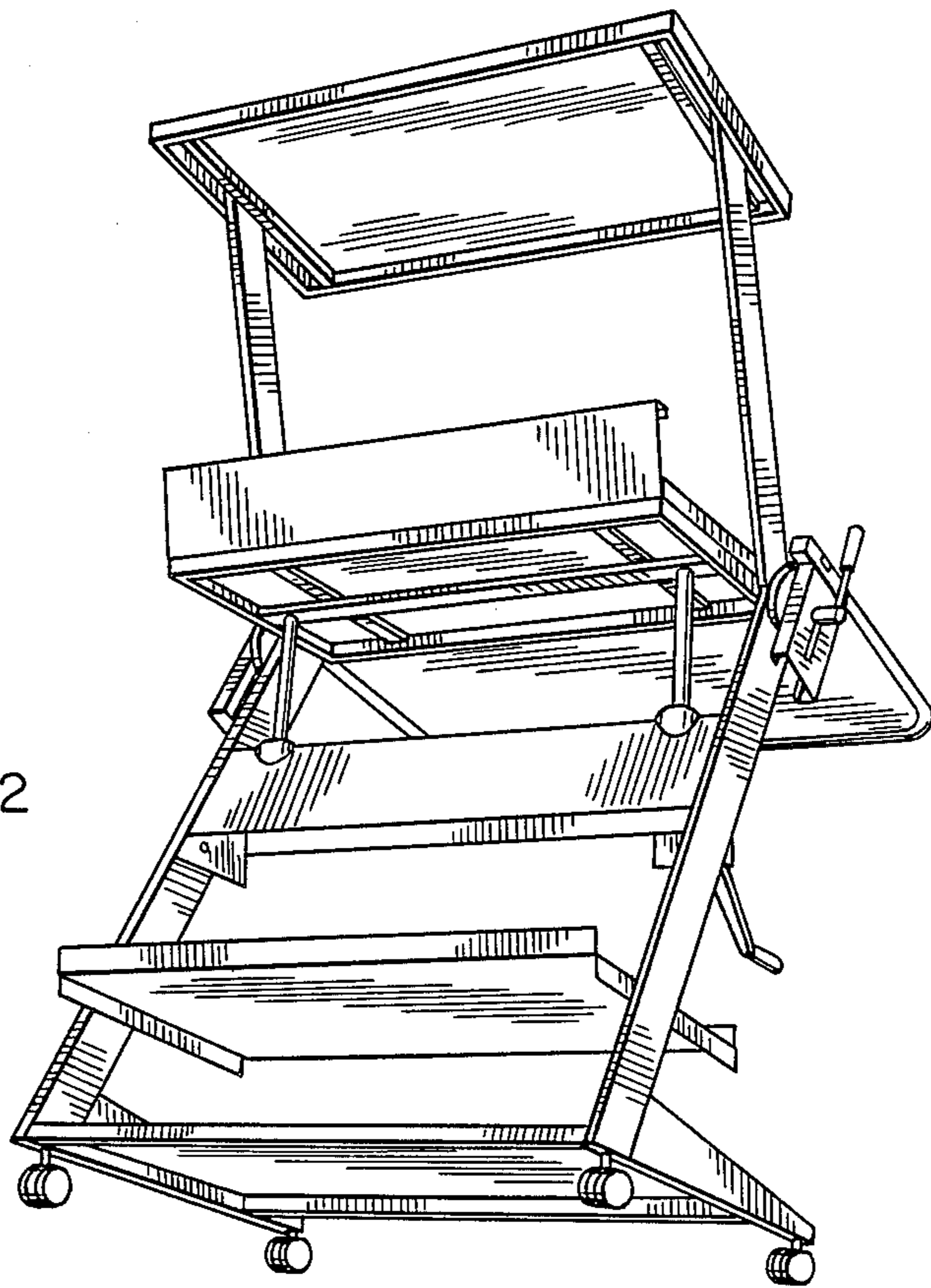


FIG. 2

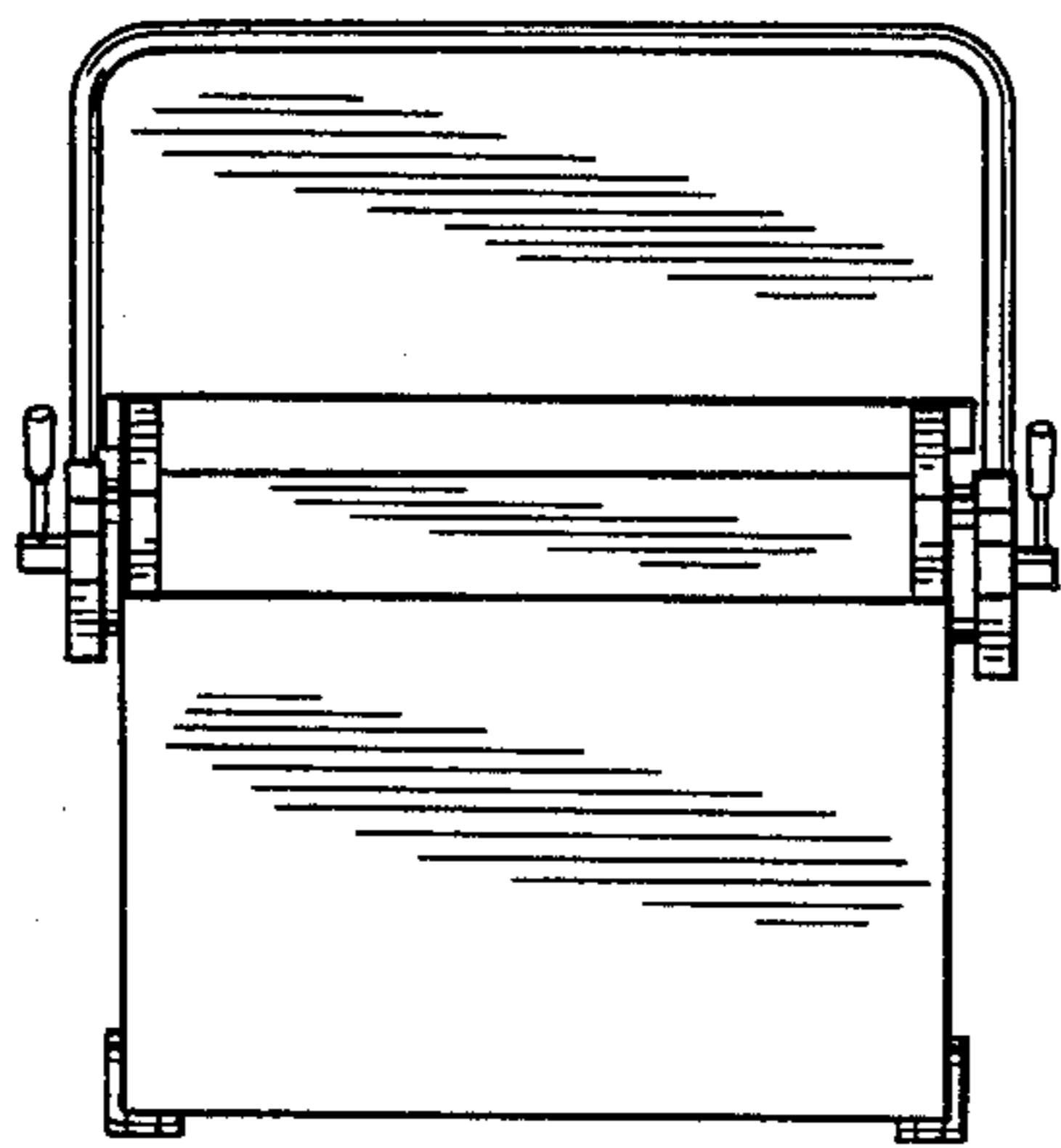


FIG. 3

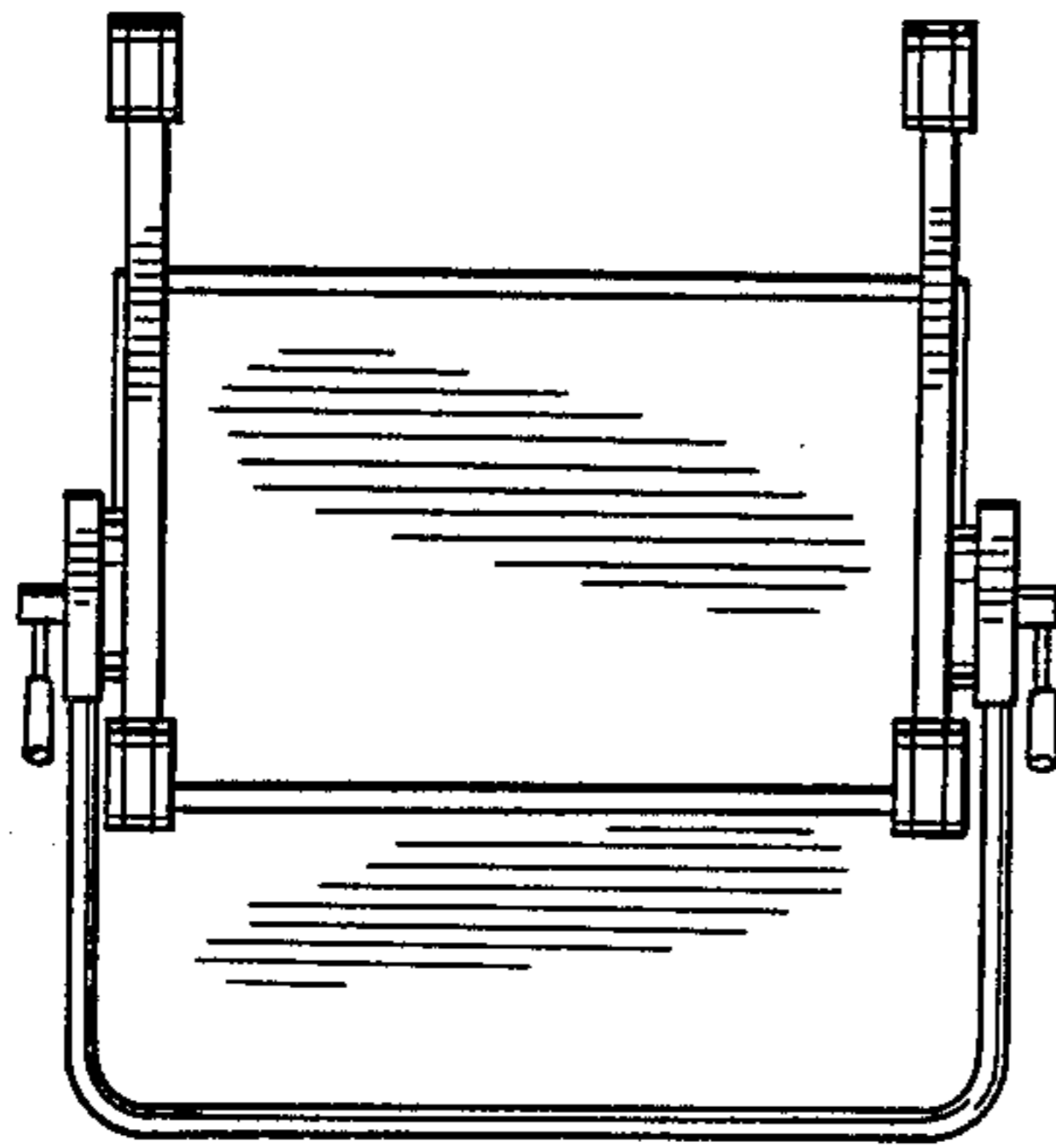


FIG. 4

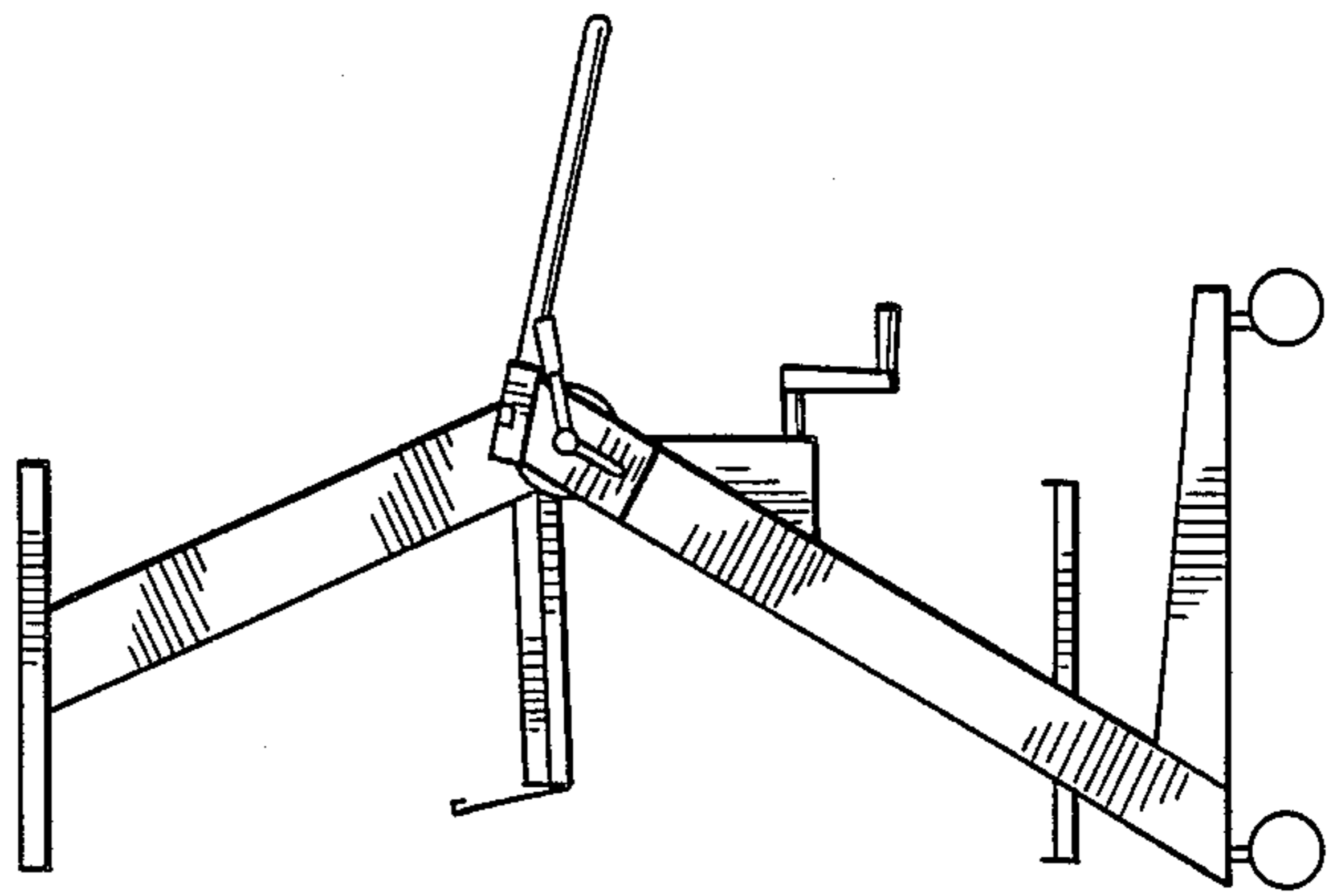


FIG. 5

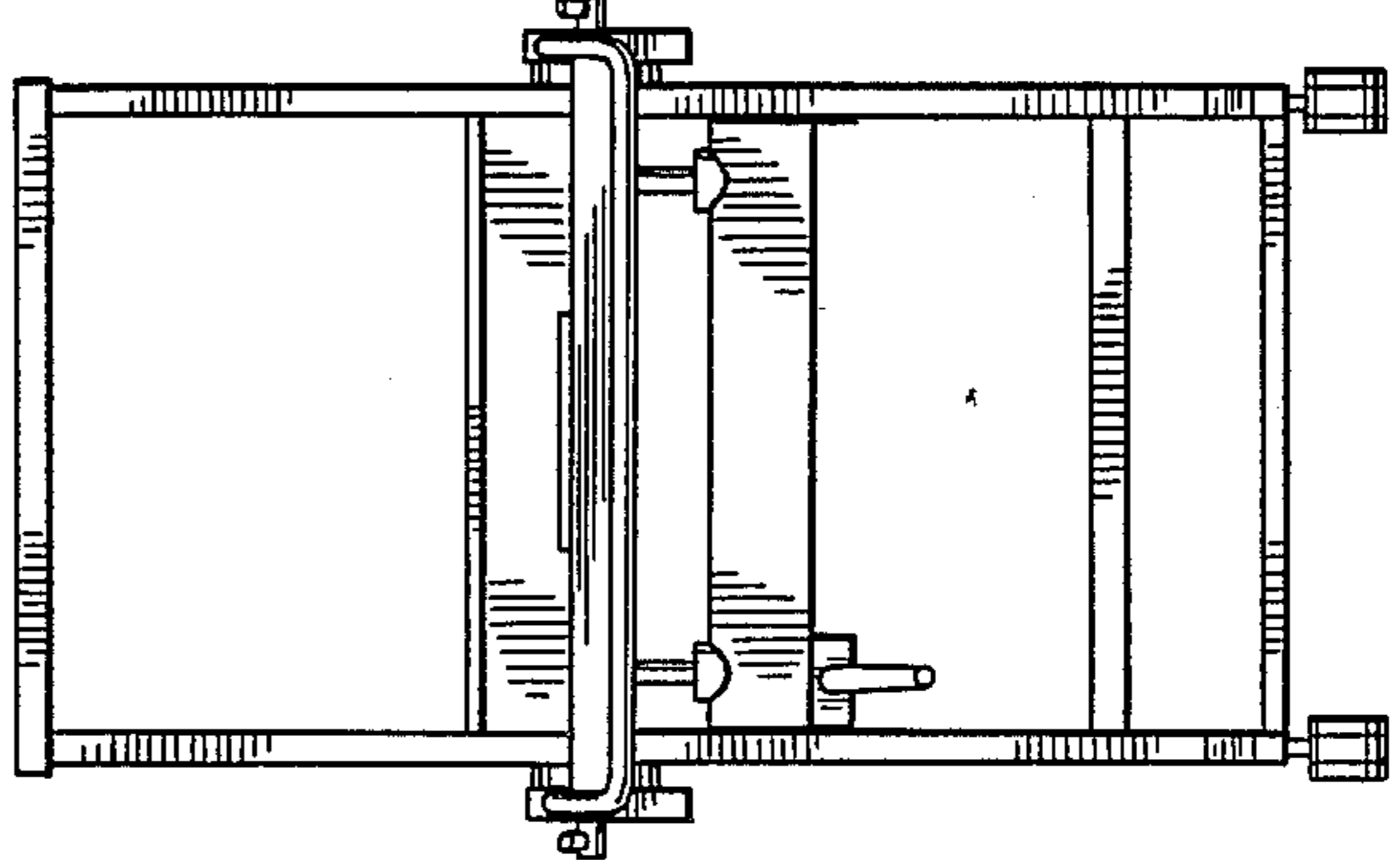


FIG. 6

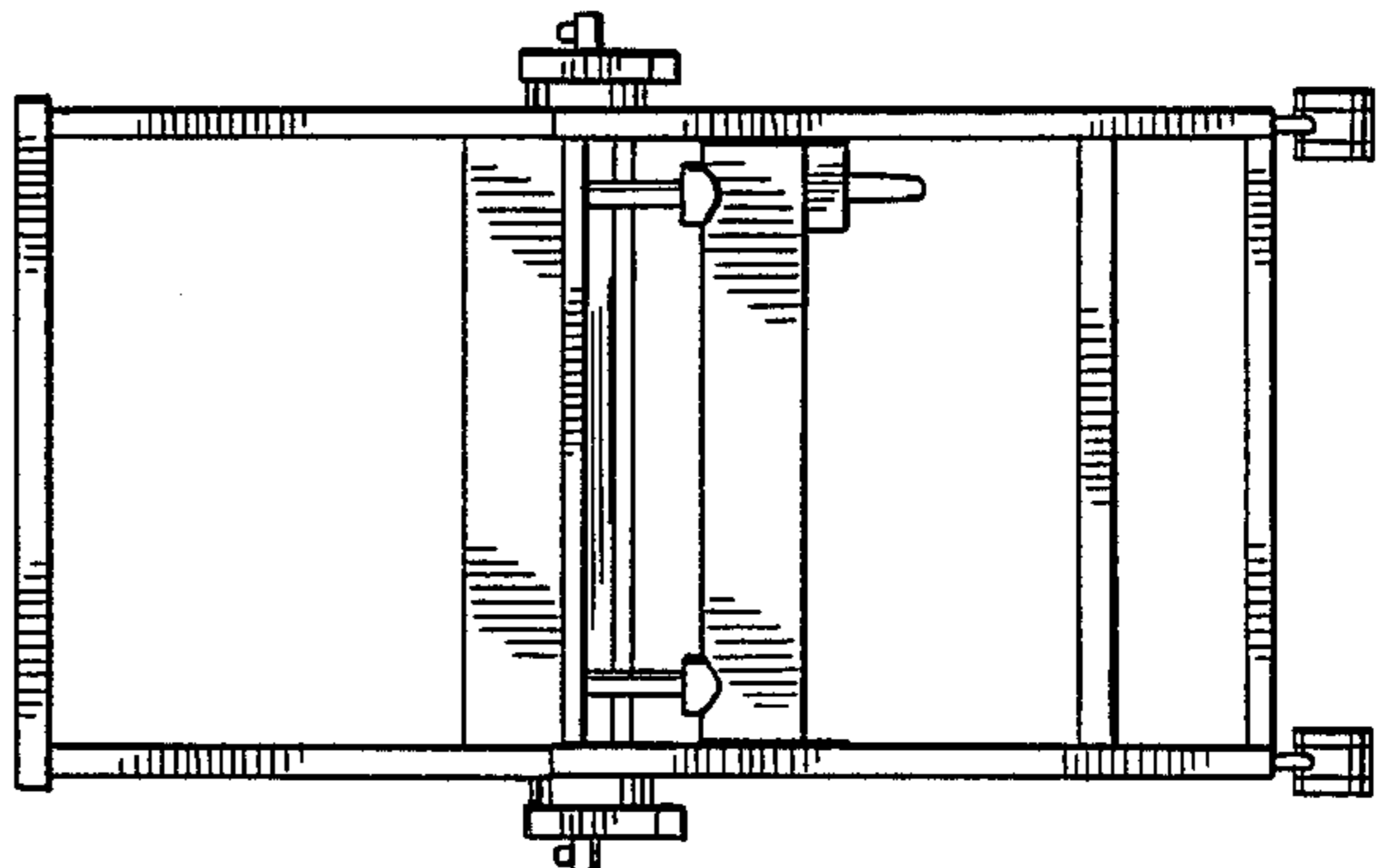


FIG. 7

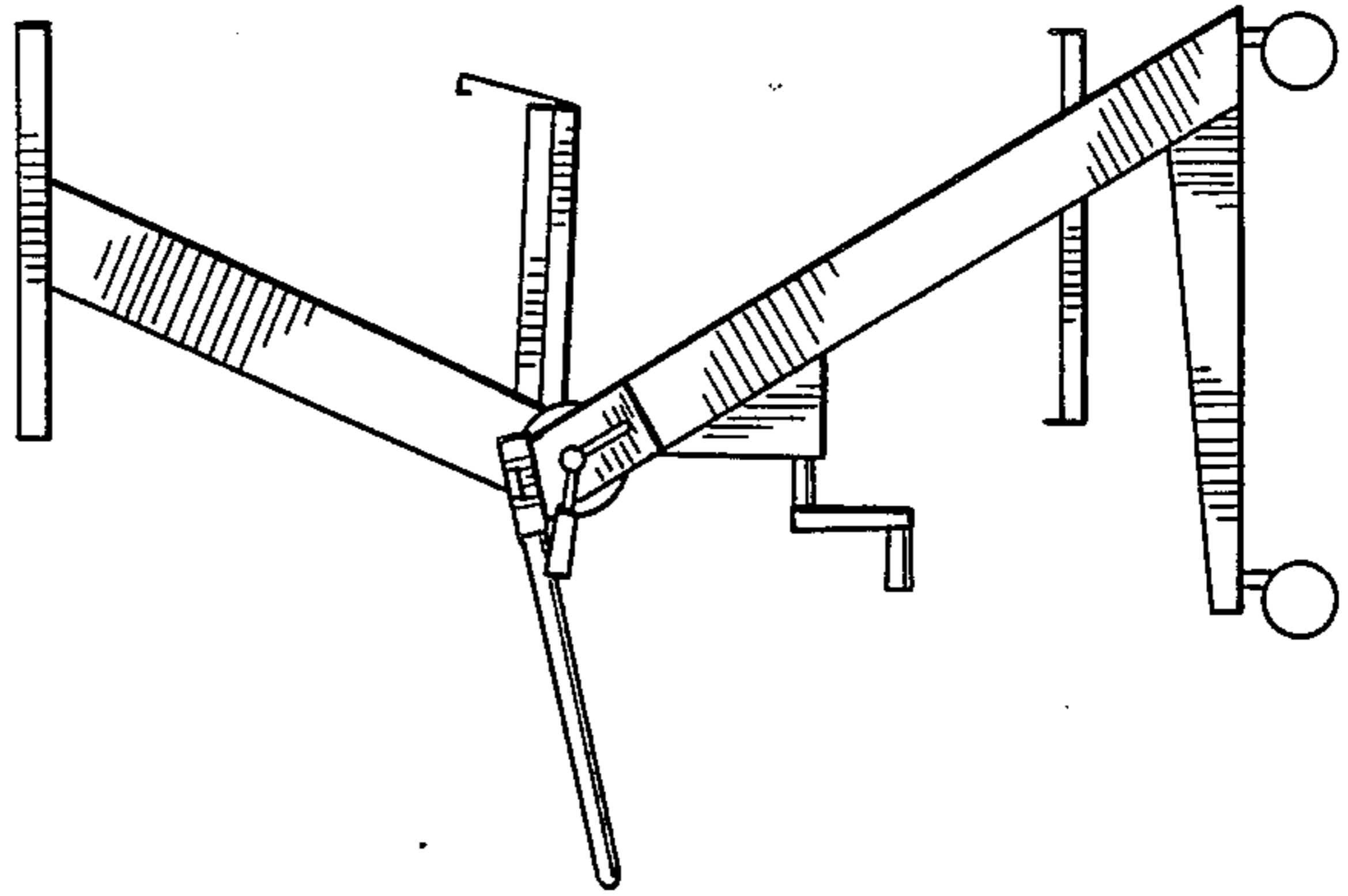


FIG. 8