

[54] **REFUSE CONTAINER CART**

[76] **Inventor: Joseph Mehalick, 612 Scenic Dr.,  
Graham, N.C. 27253**

[\*\*] **Term: 14 Years**

[21] **Appl. No.: 123,664**

[22] **Filed: Nov. 20, 1987**

[52] **U.S. Cl. .... D34/18; D34/12;  
D34/5**

[58] **Field of Search ..... D34/12, 17, 18, 23,  
D34/24, 26, 25, 5; 280/43.16, 47.26, 62, 63,  
79.3, 79.1 A, 47.24, 47.19, 47.33**

[56] **References Cited**

**U.S. PATENT DOCUMENTS**

- D. 231,722 6/1974 Mockler ..... D34/5
- D. 297,378 8/1988 Briscoe ..... D34/5
- 4,357,029 11/1982 Marini et al. .... 280/47.19

**FOREIGN PATENT DOCUMENTS**

- 3126823 1/1983 Fed. Rep. of Germany ... 280/47.34
- 2596007 9/1987 France ..... 280/47.26

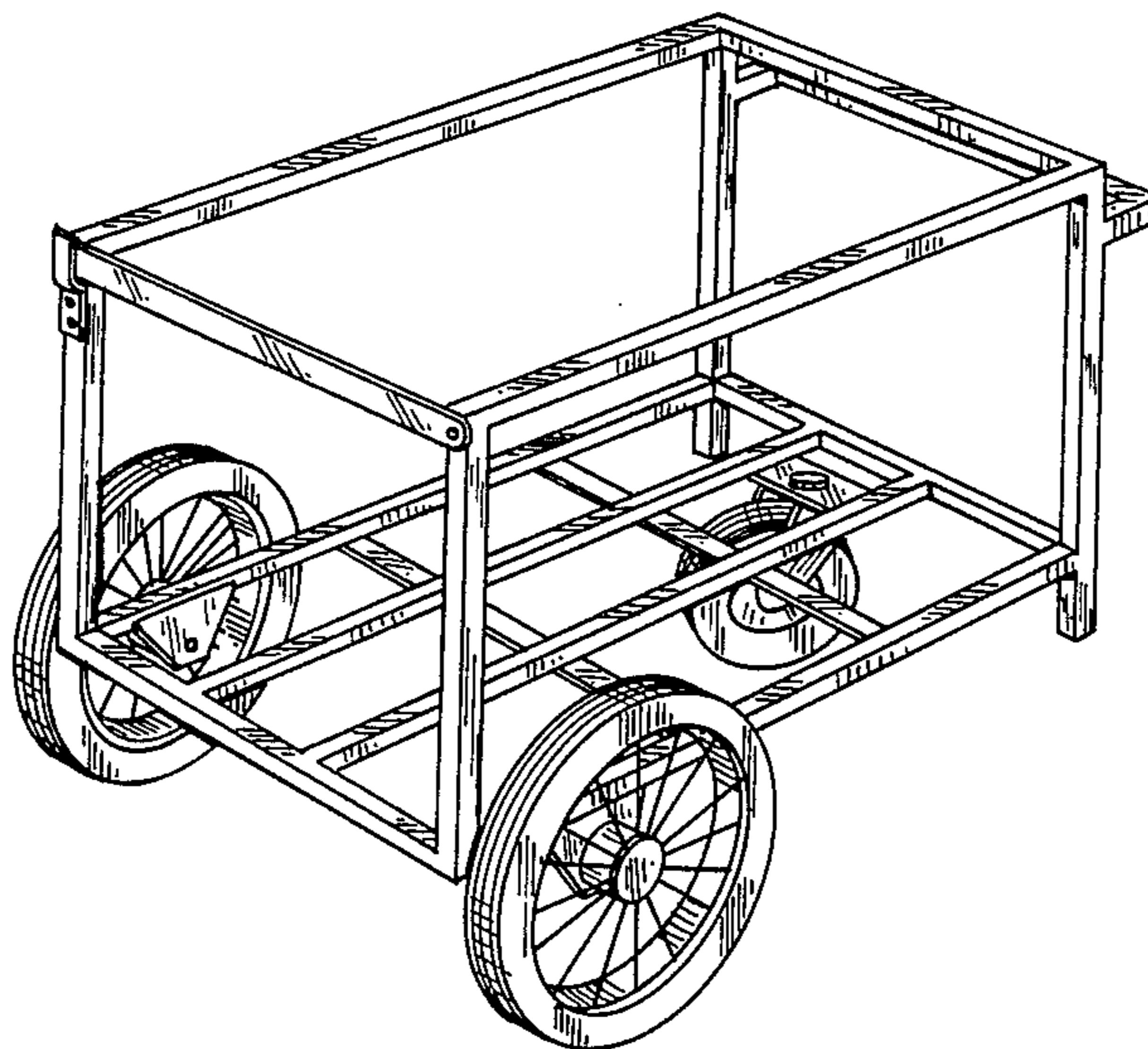
*Primary Examiner*—Wallace R. Burke  
*Assistant Examiner*—Kay H. Chin  
*Attorney, Agent, or Firm*—Rhodes and Coats

[57] **CLAIM**

The ornamental design for a refuse container cart, as shown and described.

**DESCRIPTION**

FIG. 1 is a front perspective view of a refuse container cart showing my new design; FIG. 2 is a rear perspective view thereof; and, FIG. 3 is a front perspective view of a second embodiment of the refuse container cart, the sole difference from the first embodiment being in the larger wheels attached to the front of the cart thereof.



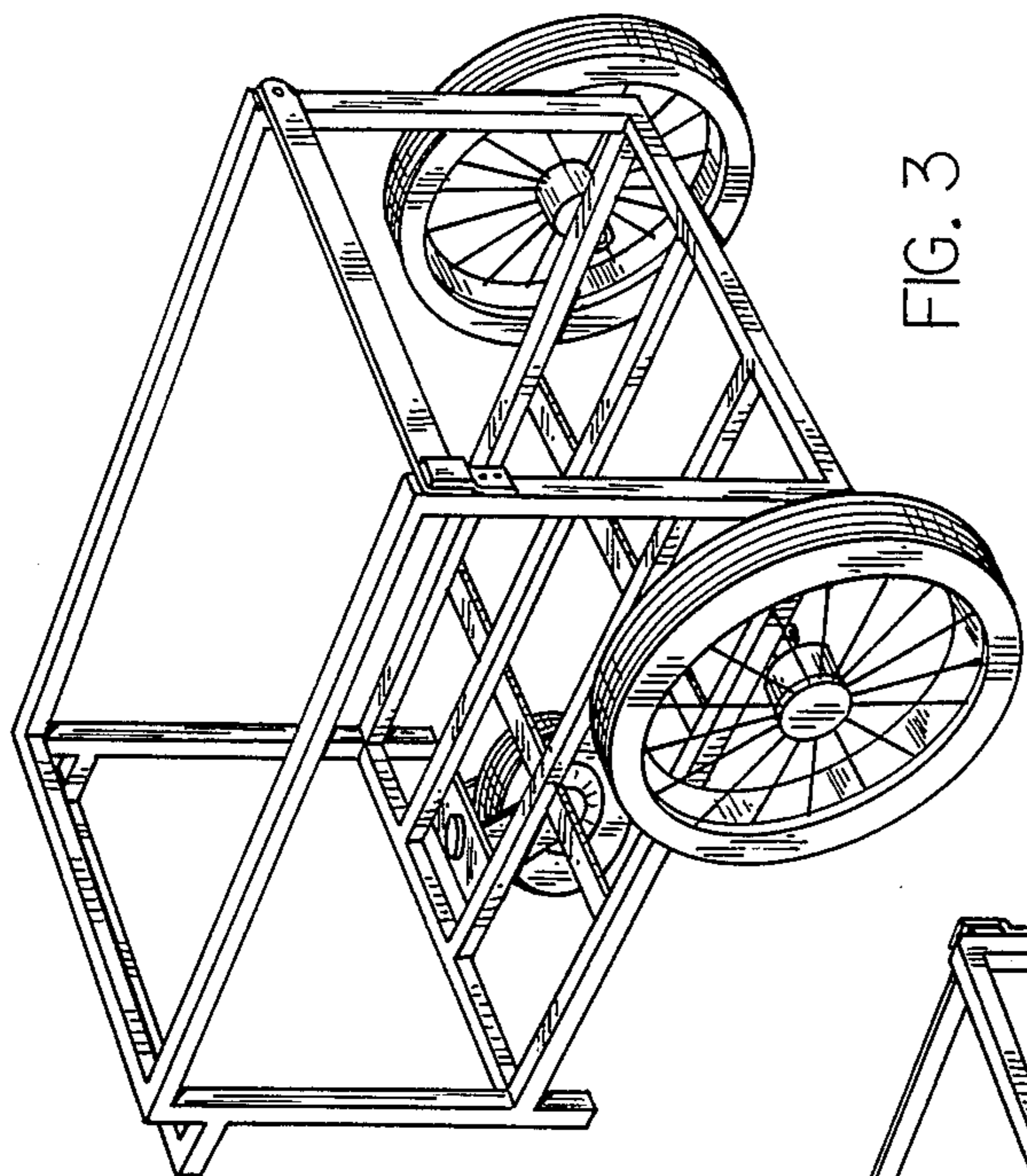


FIG. 1

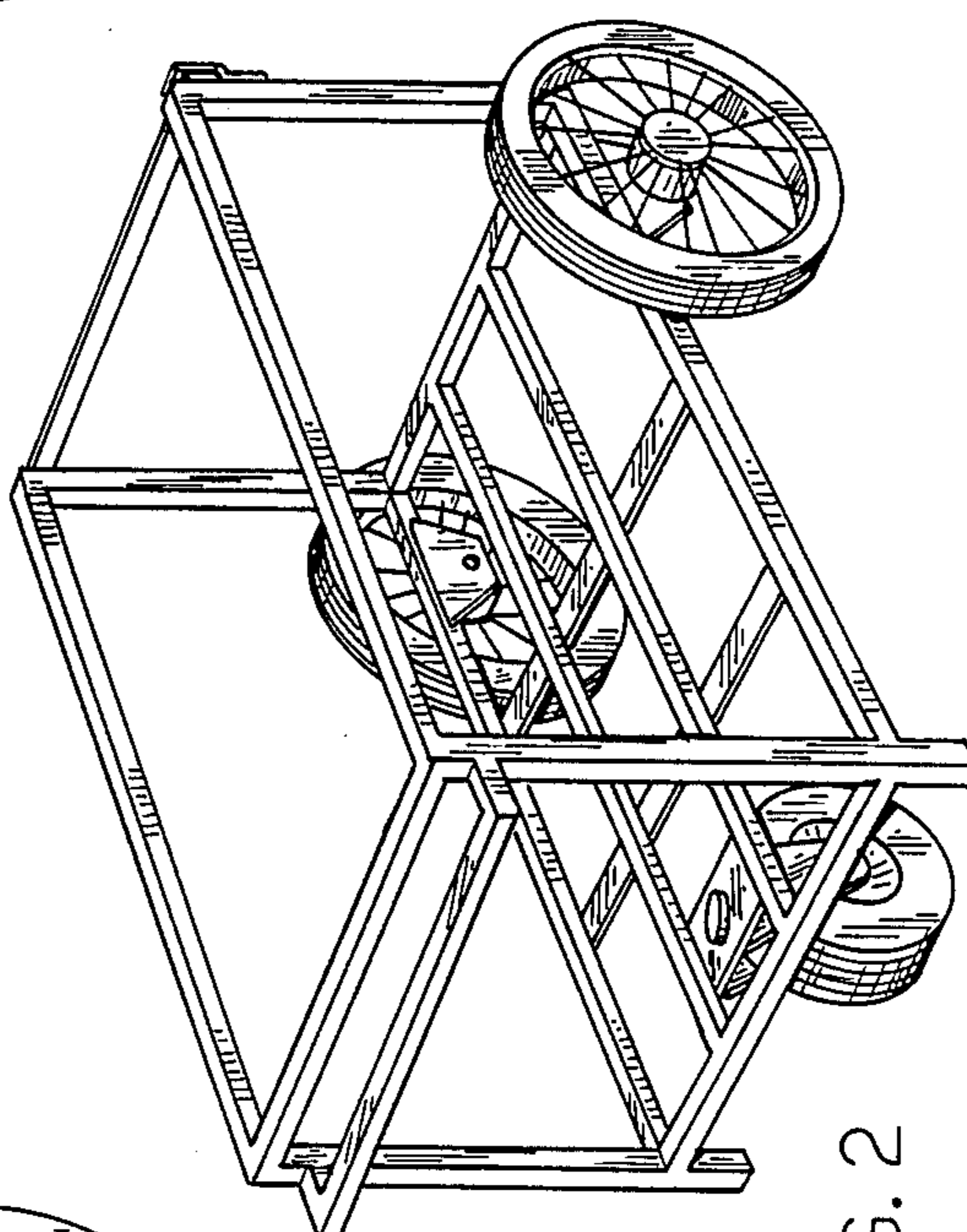


FIG. 2

FIG. 3

