

[54] CORDLESS VACUUM CLEANER

[75] Inventors: Gerhard Busalt, Biblis; Franz A. Stützer, Offenbach am Main, both of Fed. Rep. of Germany

[73] Assignee: Rowenta-Werke GmbH, Offenbach am Main, Fed. Rep. of Germany

[\*\*] Term: 14 Years

[21] Appl. No.: 938,138

[22] Filed: Dec. 4, 1986

[30] Foreign Application Priority Data

Jun. 11, 1986 [DE] Fed. Rep. of Germany ... 5MR10681

[52] U.S. Cl. .... D32/18

[58] Field of Search ..... D32/17-18, D32/21-22; 15/329, 344, 350, 351

[56] References Cited

U.S. PATENT DOCUMENTS

D. 237,244	10/1975	Williams	.....	D32/22
D. 280,452	9/1985	Arita	.....	D32/18
D. 288,015	1/1987	Verdier et al.	.....	D32/18
D. 290,894	7/1987	Miyamoto et al.	.....	D32/18
D. 298,875	12/1988	Nakamura	.....	D32/18
4,635,315	1/1987	Kozak	.....	15/344
4,665,582	5/1987	Richmond et al.	.....	15/351

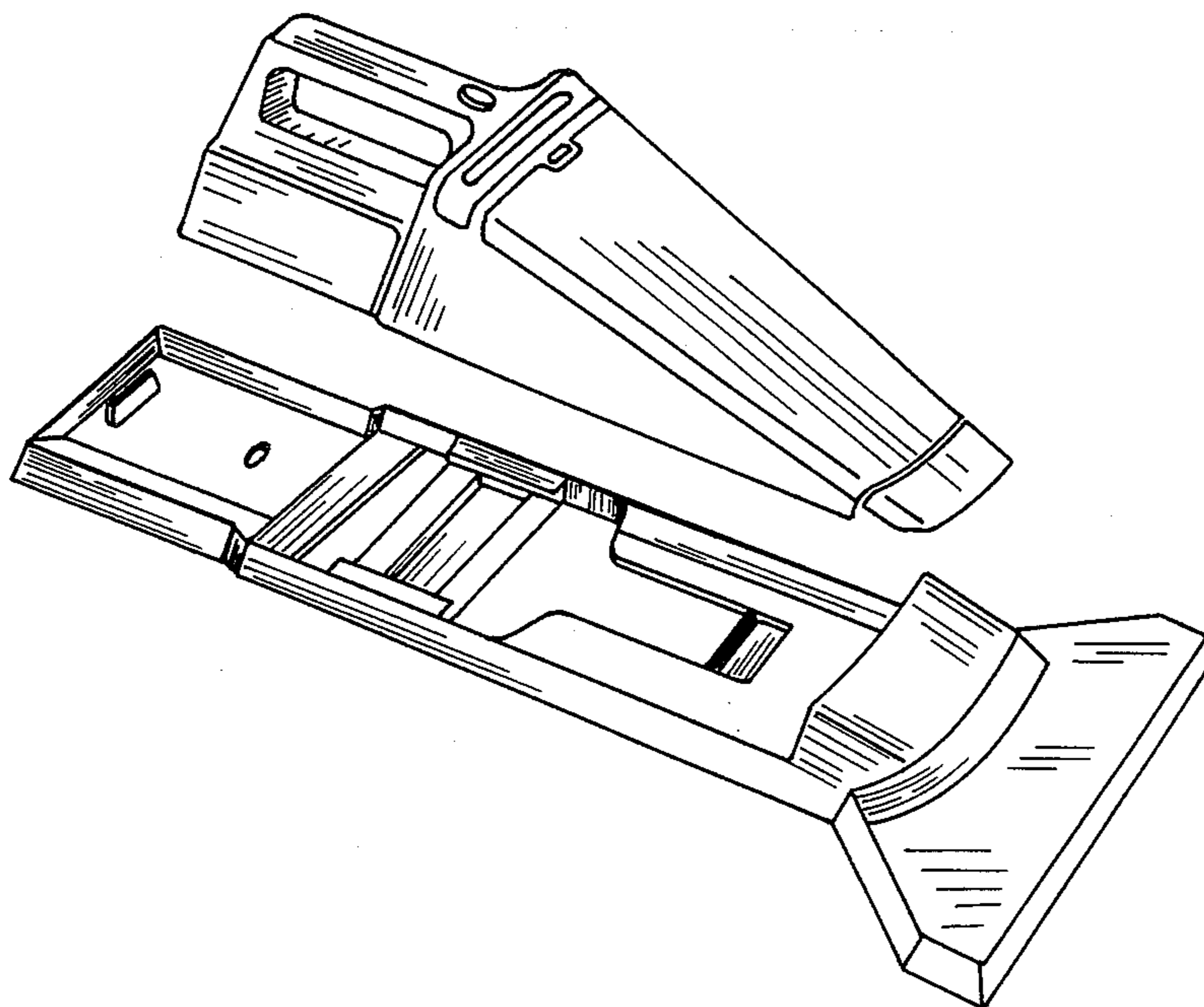
Primary Examiner—Bruce W. Dunkins  
Assistant Examiner—Ruth Takemoto  
Attorney, Agent, or Firm—Toren, McGeedy & Associates

[57] CLAIM

The ornamental design for a cordless vacuum cleaner, as shown and described.

DESCRIPTION

FIG. 1 is a perspective view of a cordless vacuum cleaner showing our new design;  
FIG. 2 is a perspective view thereof with the handle removed;  
FIG. 3 is a side elevational view thereof;  
FIG. 4 is a side elevational view thereof, of the opposite side of FIG. 3;  
FIG. 5 is a top plan view thereof;  
FIG. 6 is a bottom plan view thereof;  
FIG. 7 is a front elevational view thereof;  
FIG. 8 is a rear elevational view thereof;  
FIG. 9 is a front perspective view thereof;  
FIG. 10 is a rear perspective view thereof;  
FIG. 11 is a front perspective view of the vacuum cleaner dismounted;  
FIG. 12 is a rear perspective view thereof;  
FIG. 13 is a side elevational view thereof;  
FIG. 14 is a side elevational view thereof of the opposite side of FIG. 13;  
FIG. 15 is a top plan view thereof;  
FIG. 16 is a bottom plan view thereof;  
FIG. 17 is a front elevational view thereof; and,  
FIG. 18 is a rear elevational view thereof.  
The handle is shown broken away in FIGS. 3-6 and 9-10, for ease of illustration. The vacuum cleaner shown in FIGS. 11-18 is shown separately for clarity of illustration.



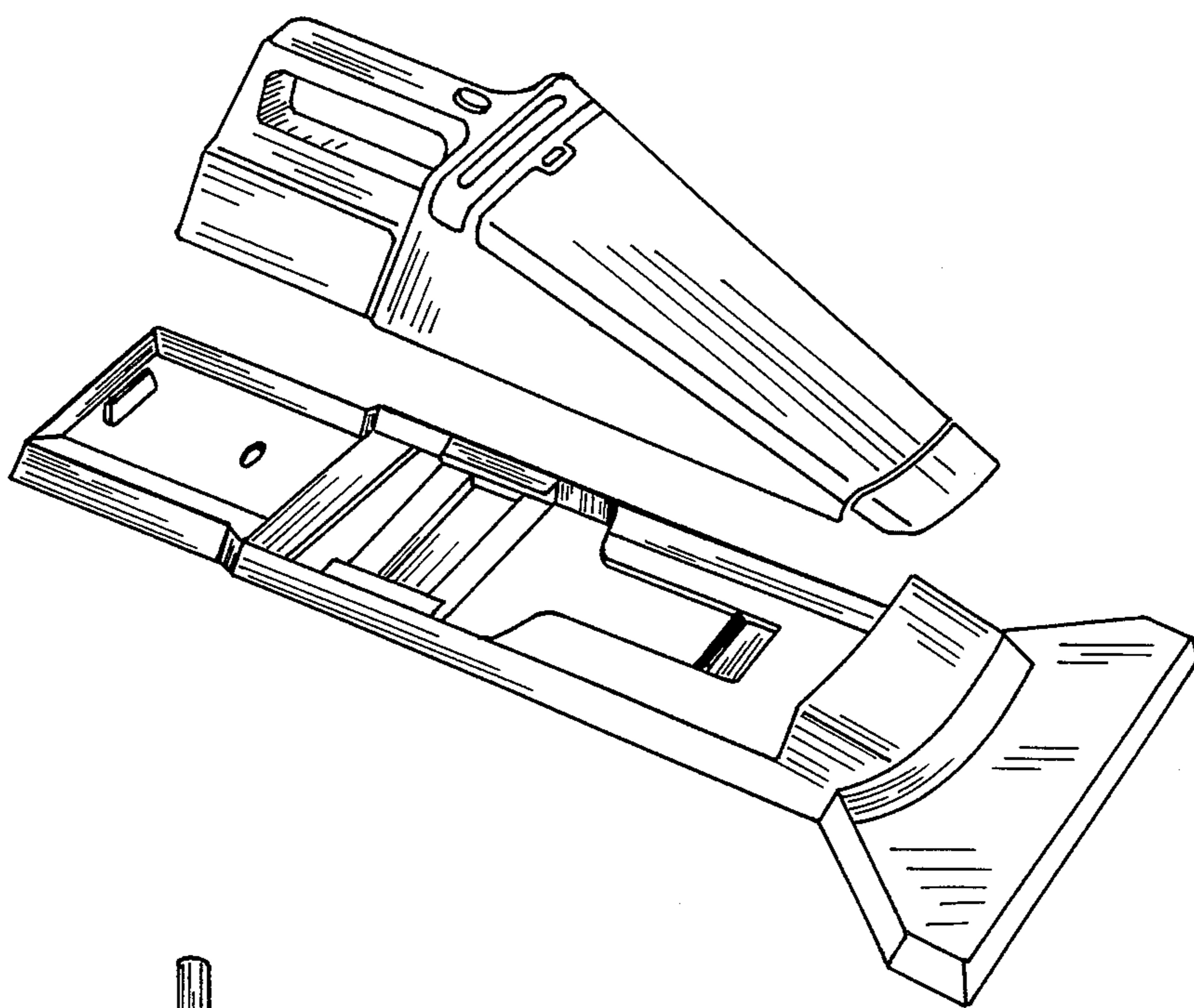


Fig. 1

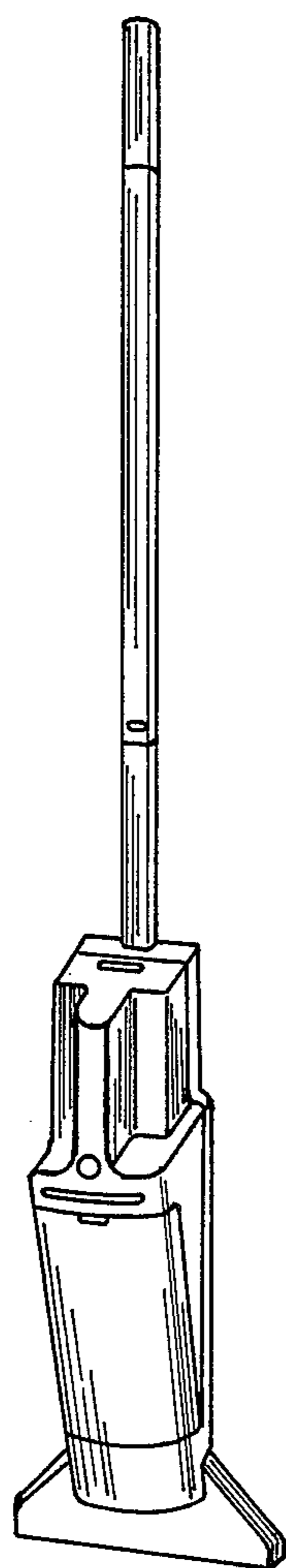


Fig. 2

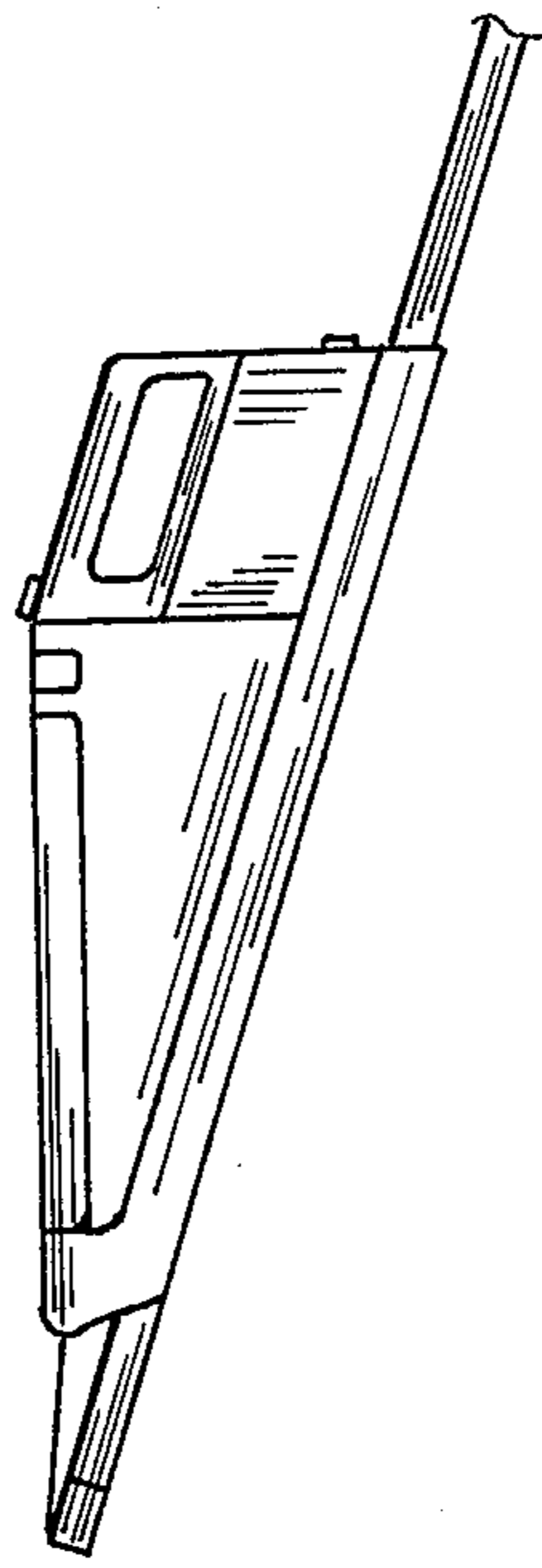


Fig. 3

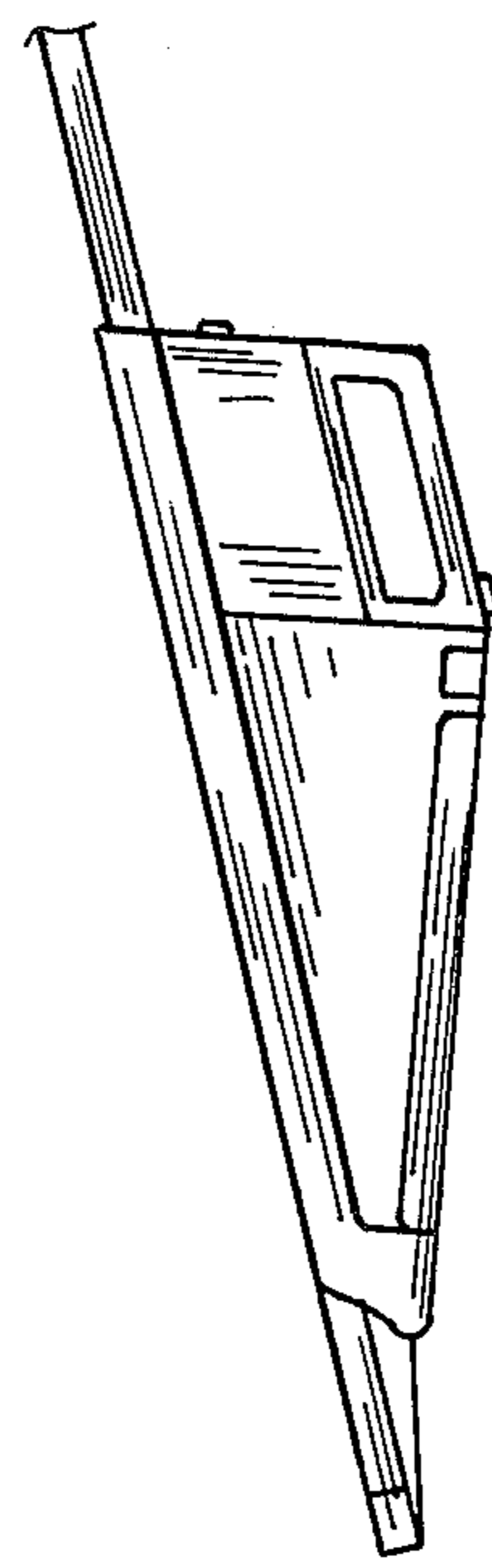


Fig. 4

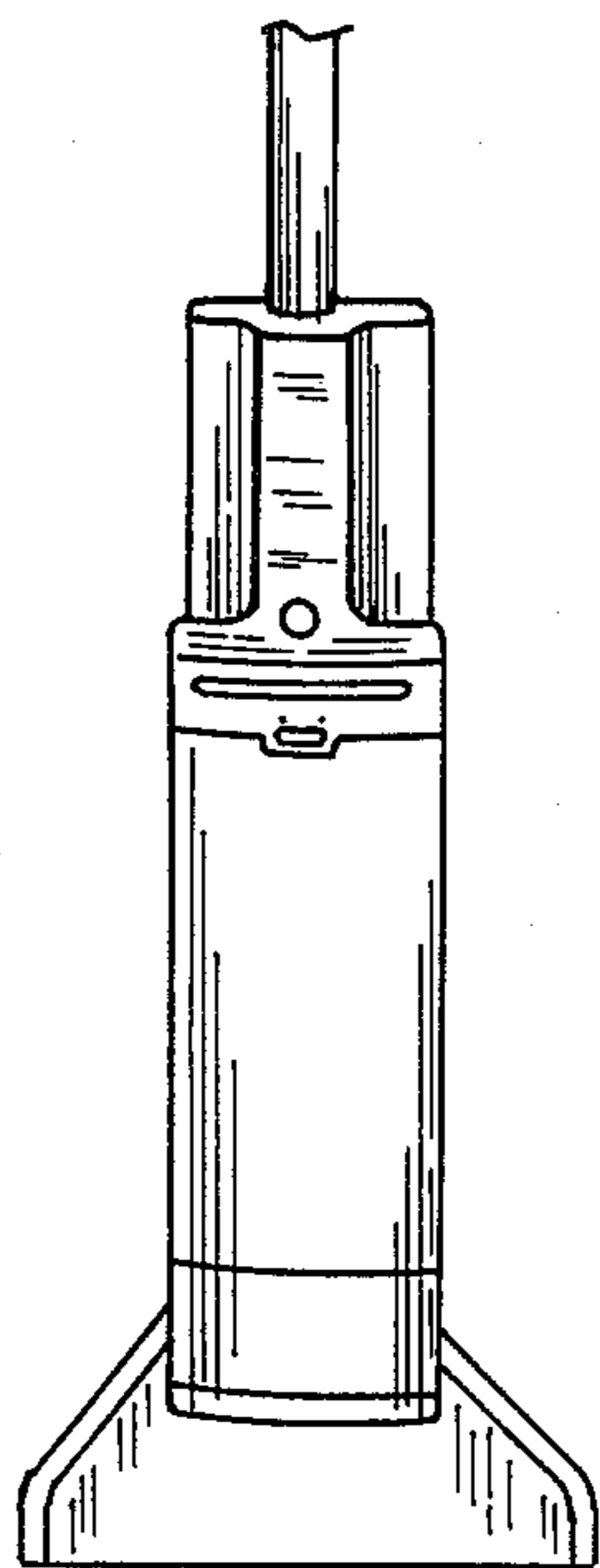


Fig. 5

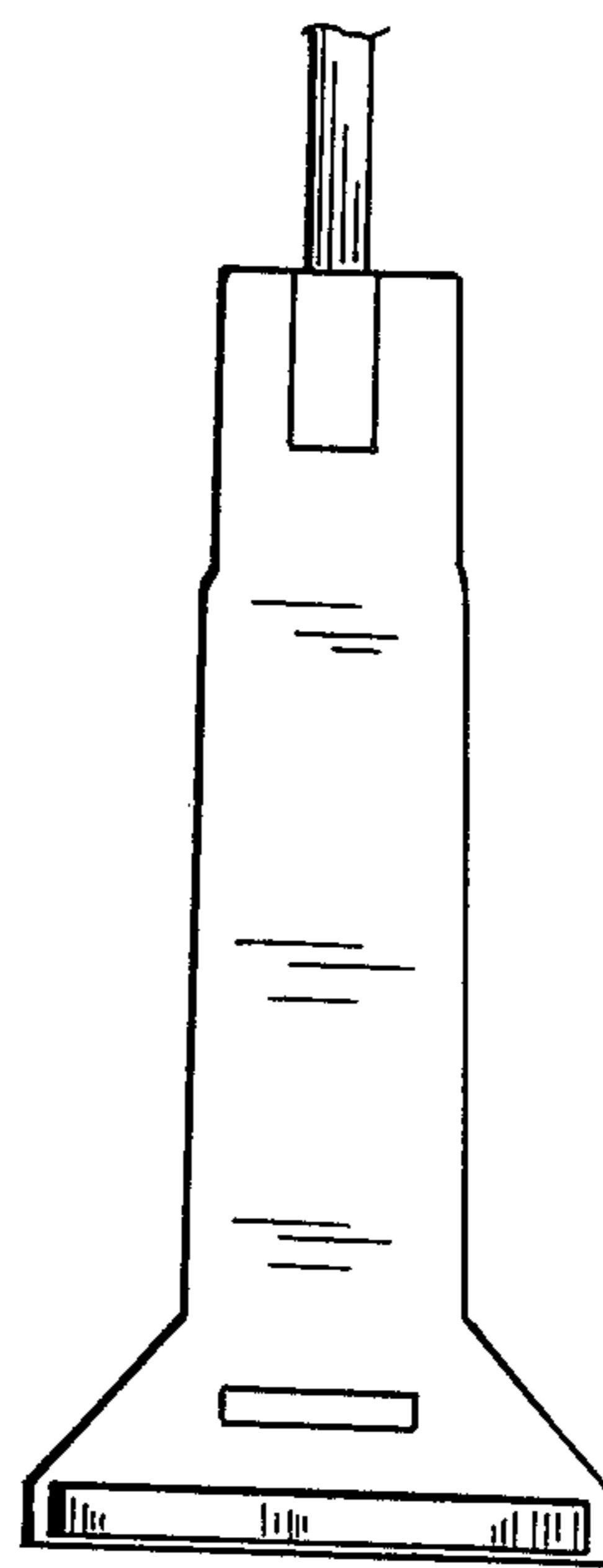


Fig. 6

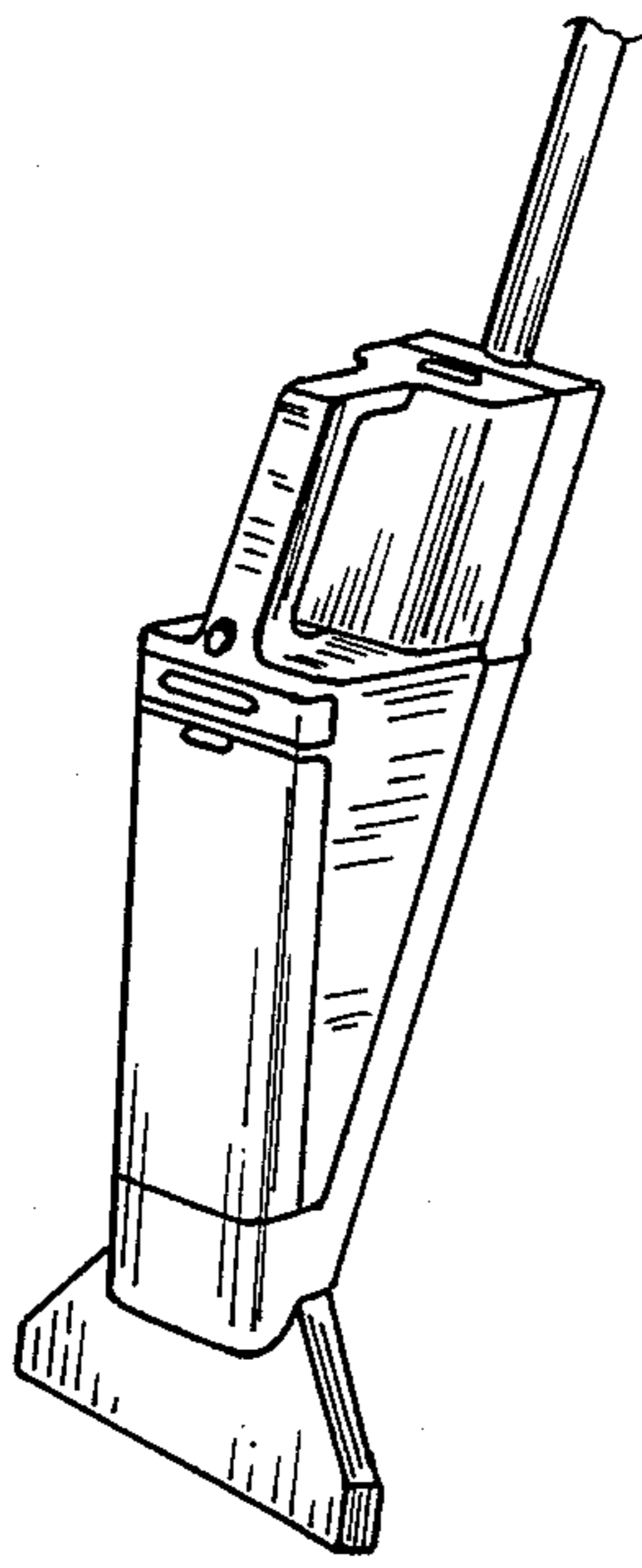


Fig. 9

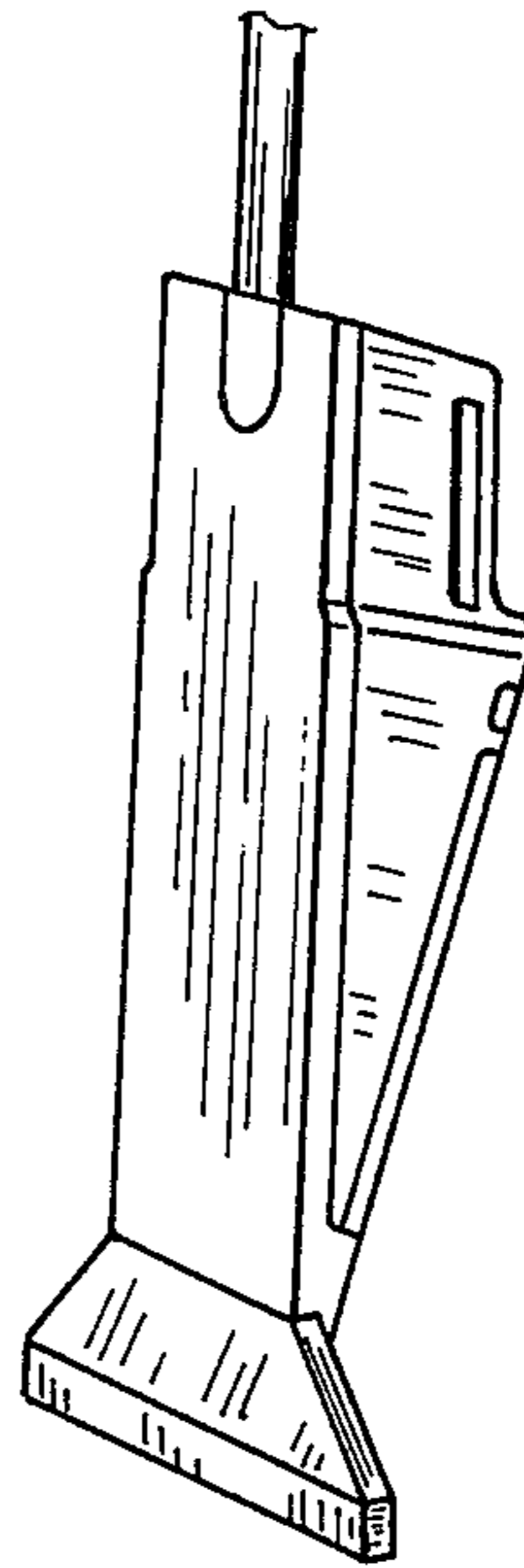


Fig. 10

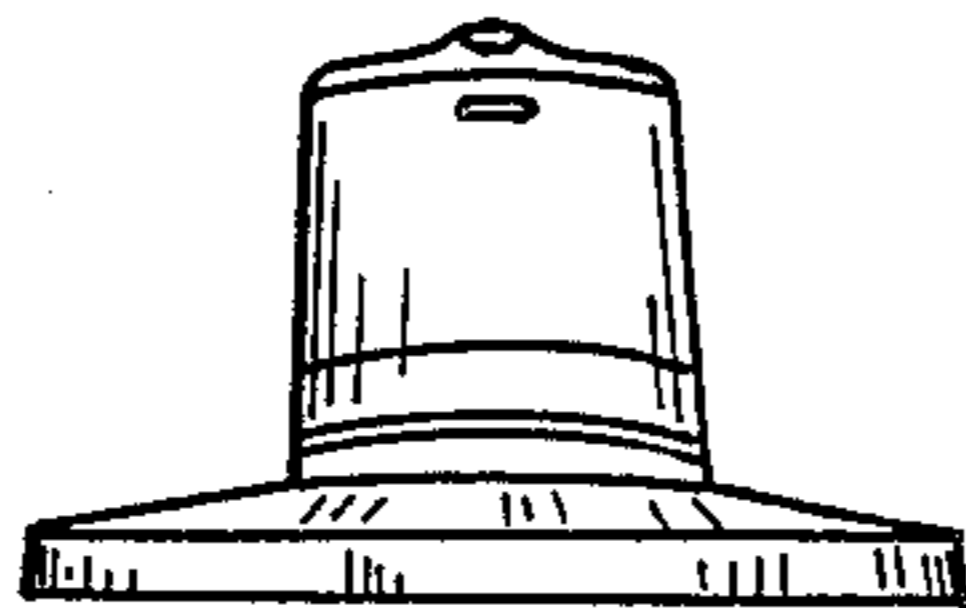


Fig. 7

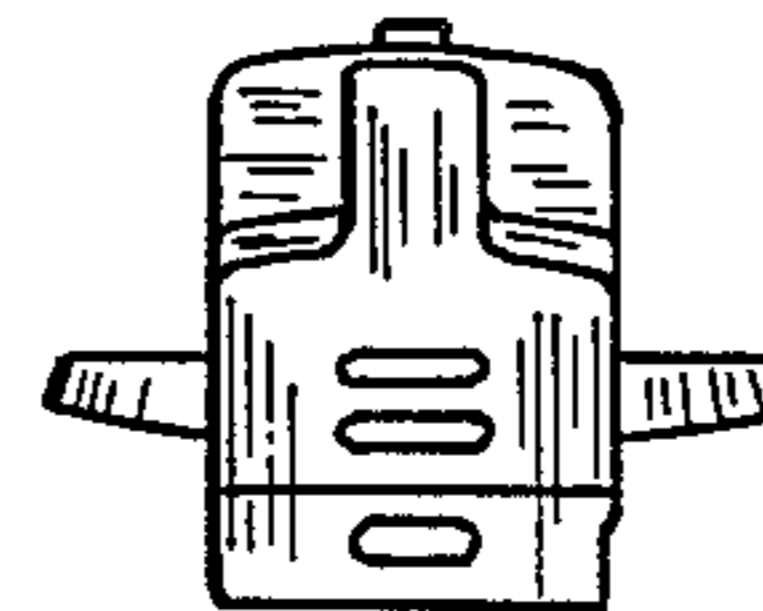


Fig. 8

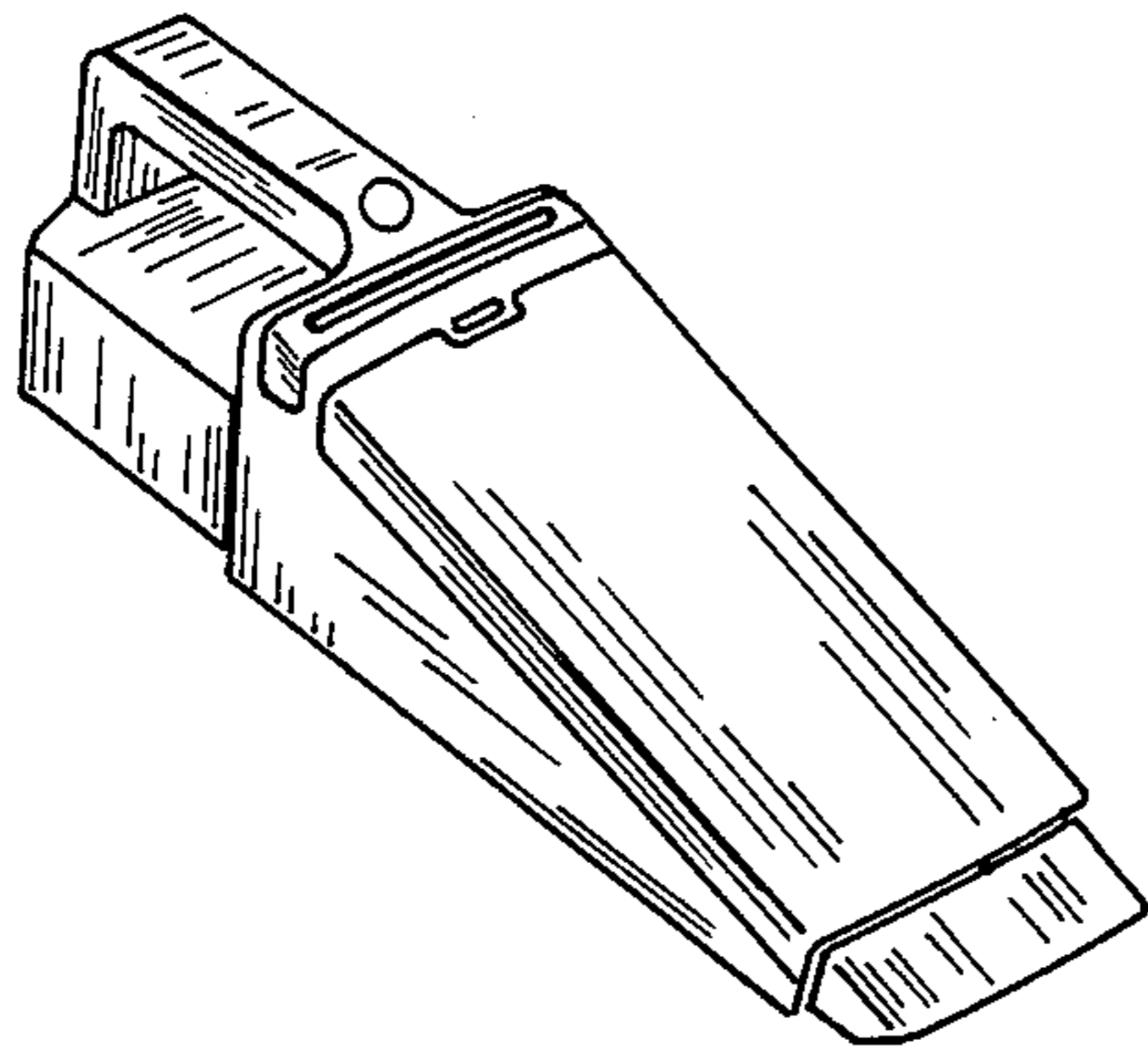


Fig. 11

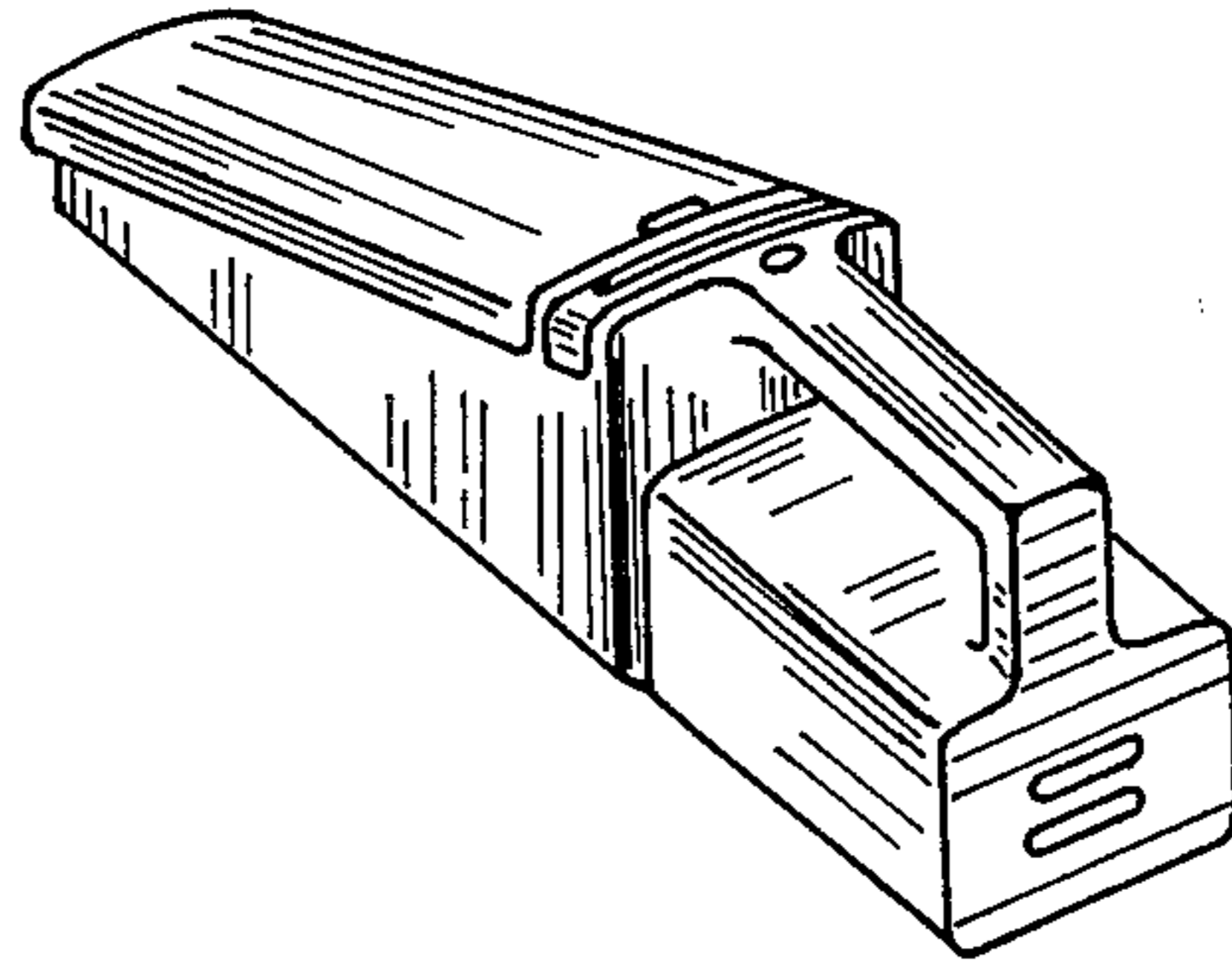


Fig. 12

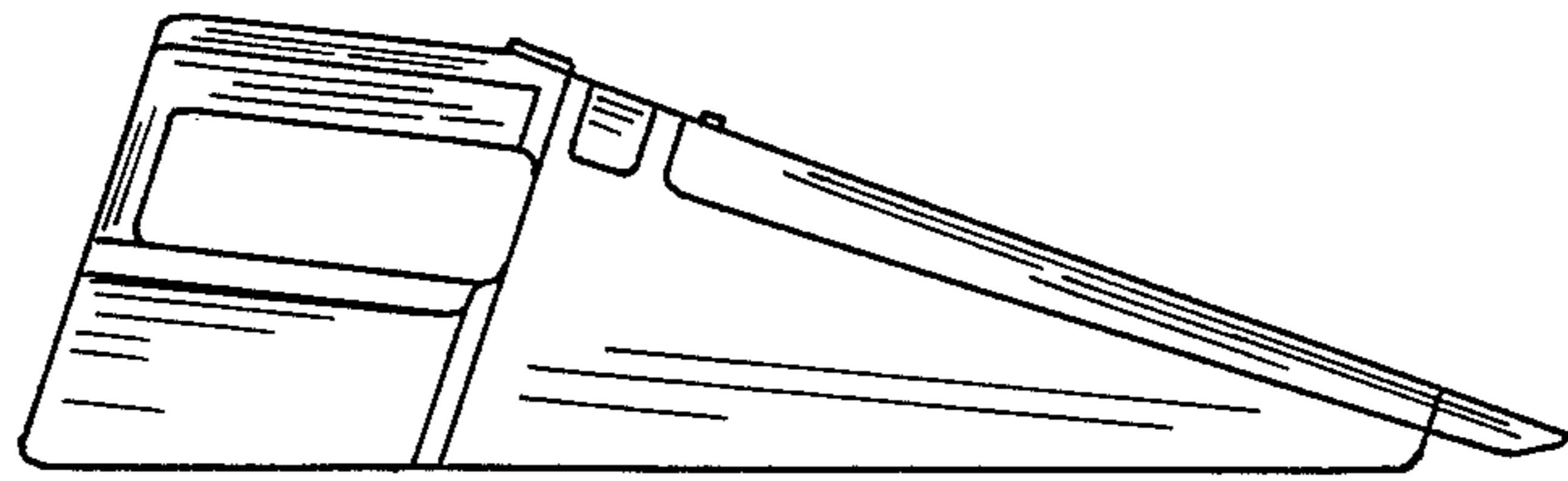


Fig. 13

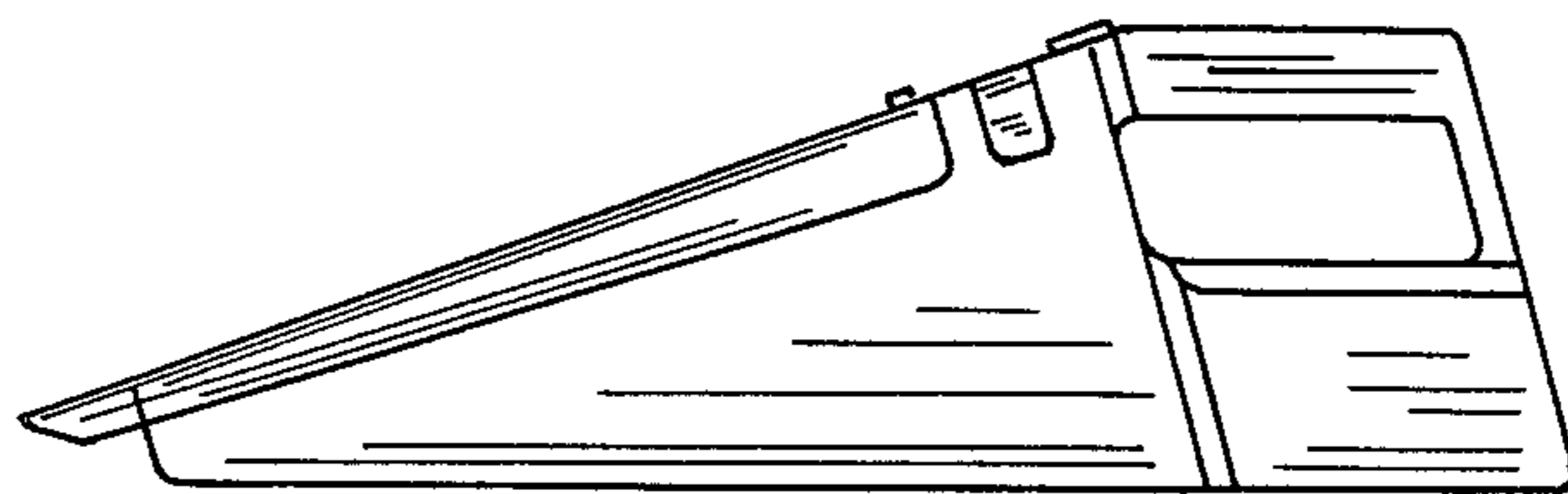


Fig. 14

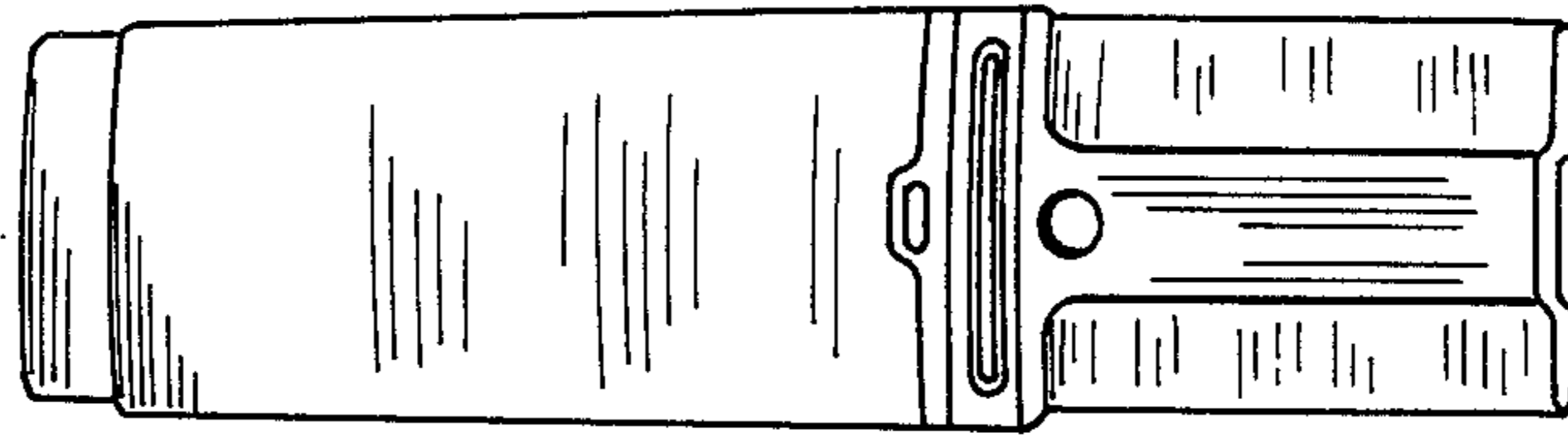


Fig. 15

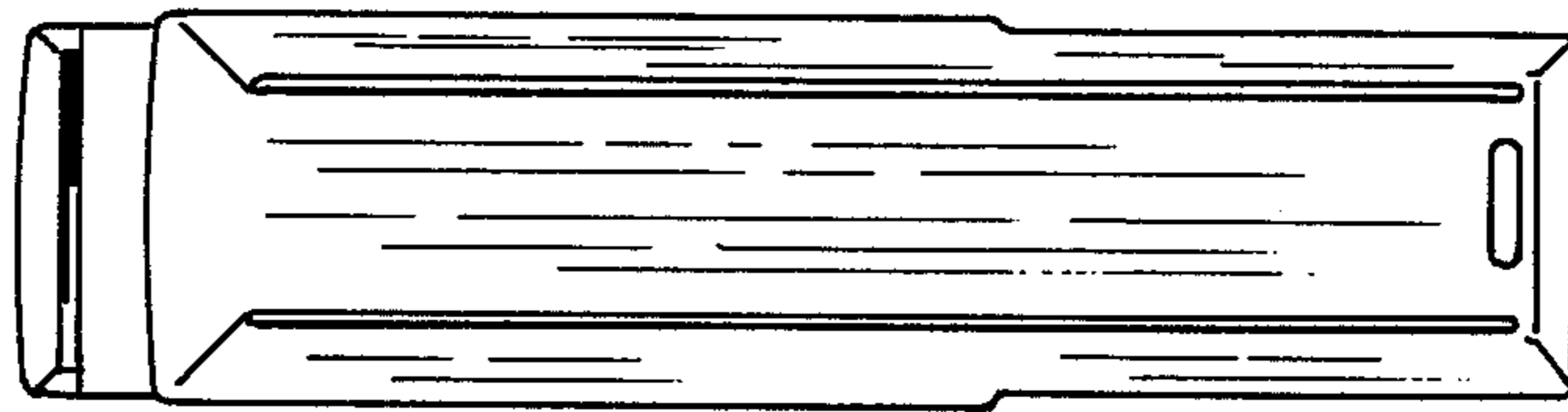


Fig. 16

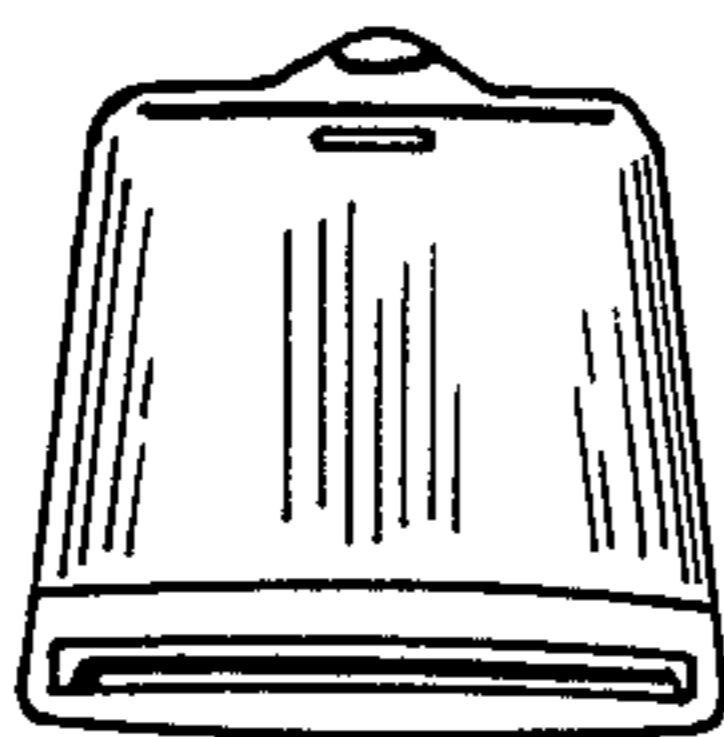


Fig. 17

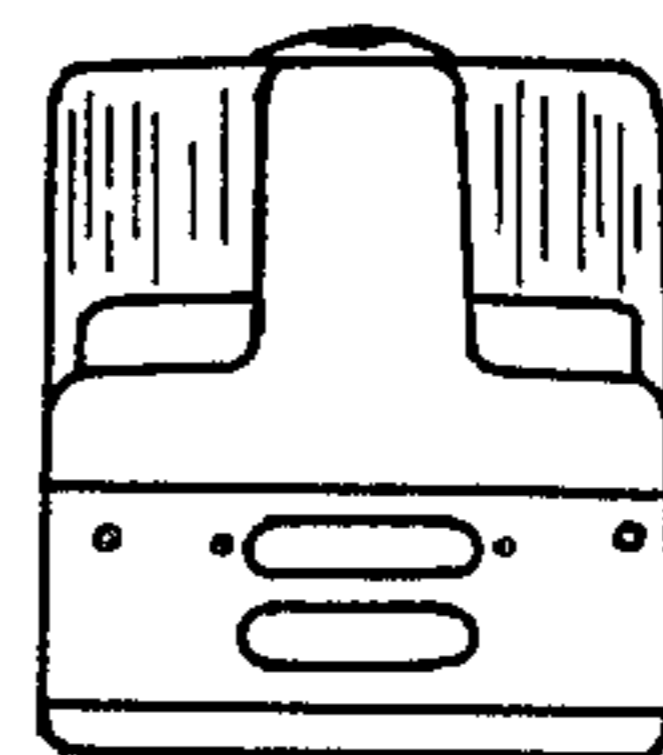


Fig. 18