

[54] **VACUUM-BLOWER UNIT**

[75] **Inventors:** Walter F. Ruhl, Greenville, Ohio;
Jeffrey A. Steed, Union City, Ind.;
James M. Weaver, Greenville, Ohio

[73] **Assignee:** Lambert Corporation, Ohio

[**] **Term:** 14 Years

[21] **Appl. No.:** 109,682

[22] **Filed:** Oct. 19, 1987

[52] **U.S. Cl.** D32/15

[58] **Field of Search** D32/1, 15-16,
D32/21-22, 30-33; 180/322, 323-324, 326,
333-336; 15/340.1-340.4, 78, 79 A, 79 R, 49 R,
405, 83

[56] **References Cited**

U.S. PATENT DOCUMENTS

D. 297,778	9/1988	Lallerstedt	D32/15
D. 298,479	11/1988	Jacobs et al.	D32/16
3,813,725	6/1974	Rinker	15/337
3,968,938	7/1976	Ruhl et al.	15/405

Primary Examiner—Bruce W. Dunkins
Assistant Examiner—Ruth Takemoto
Attorney, Agent, or Firm—Biebel, French & Nauman

[57] **CLAIM**

The ornamental design for a vacuum-blower unit, as shown.

DESCRIPTION

FIG. 1 is a perspective view of a vacuum blower unit showing our new design;
FIG. 2 is a left side elevational view thereof;
FIG. 3 is a right side elevational view thereof;
FIG. 4 is a front elevational view thereof;
FIG. 5 is a rear elevational view thereof; and
FIG. 6 is a top plan view thereof.

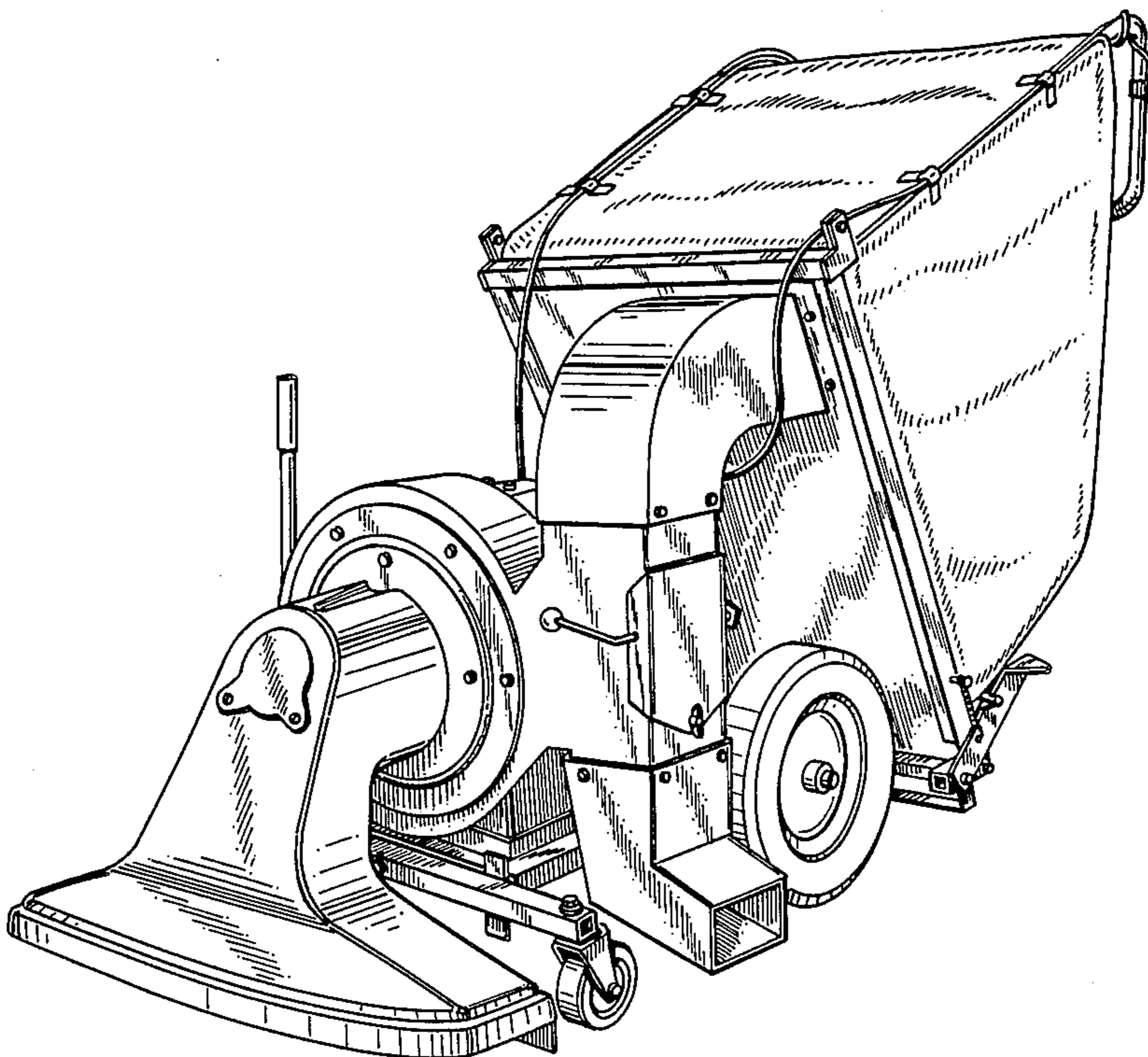


FIG-1

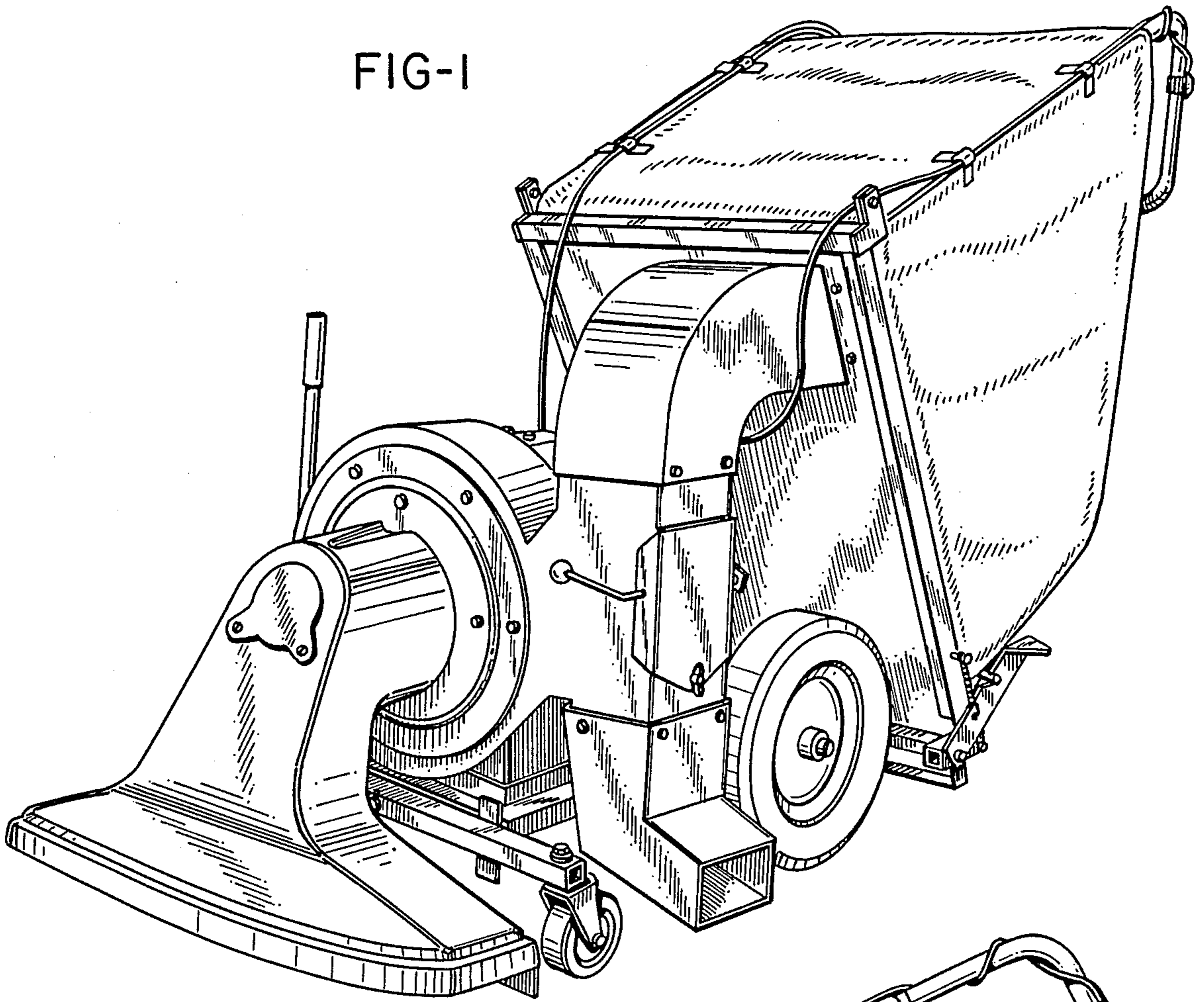
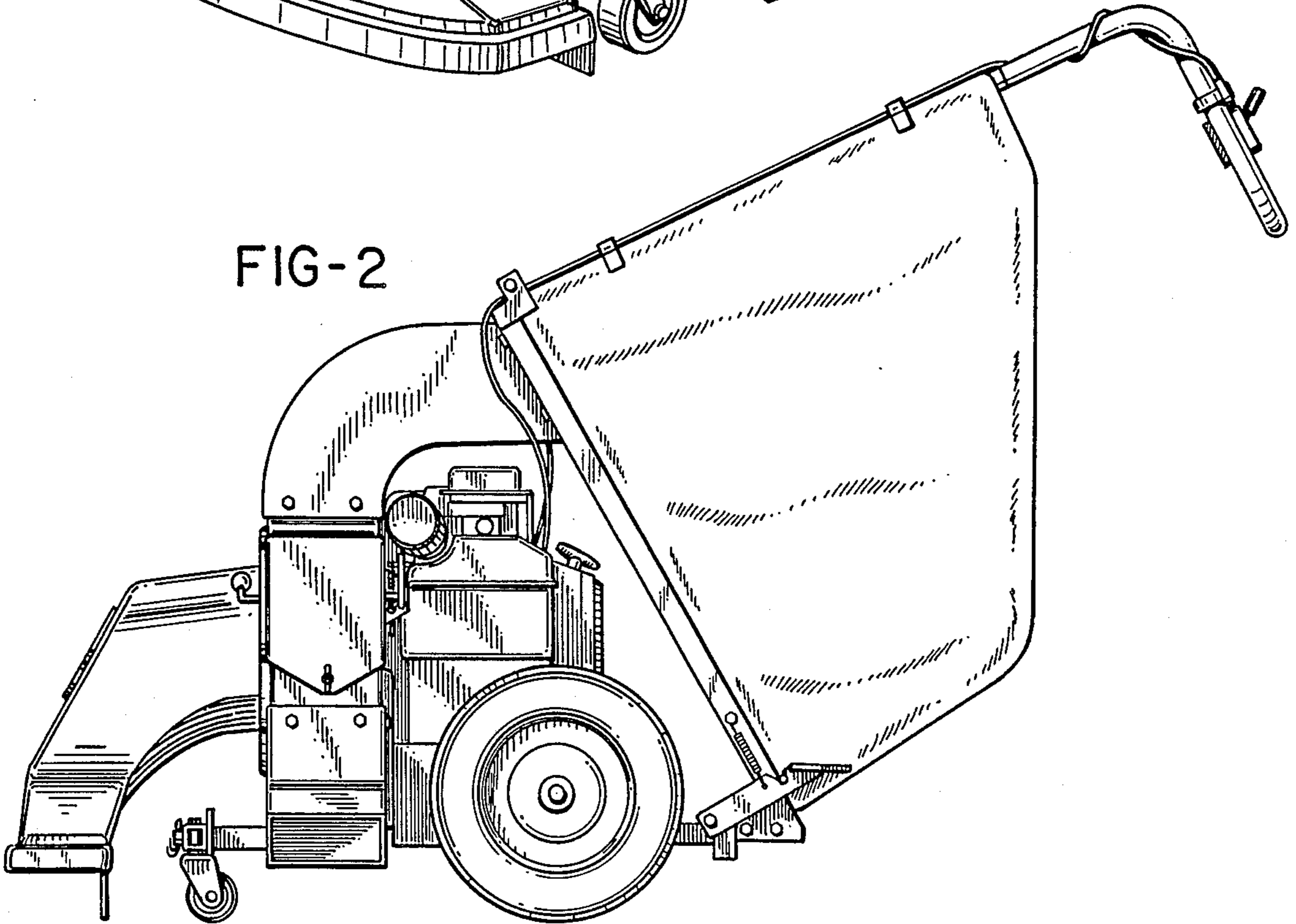


FIG-2



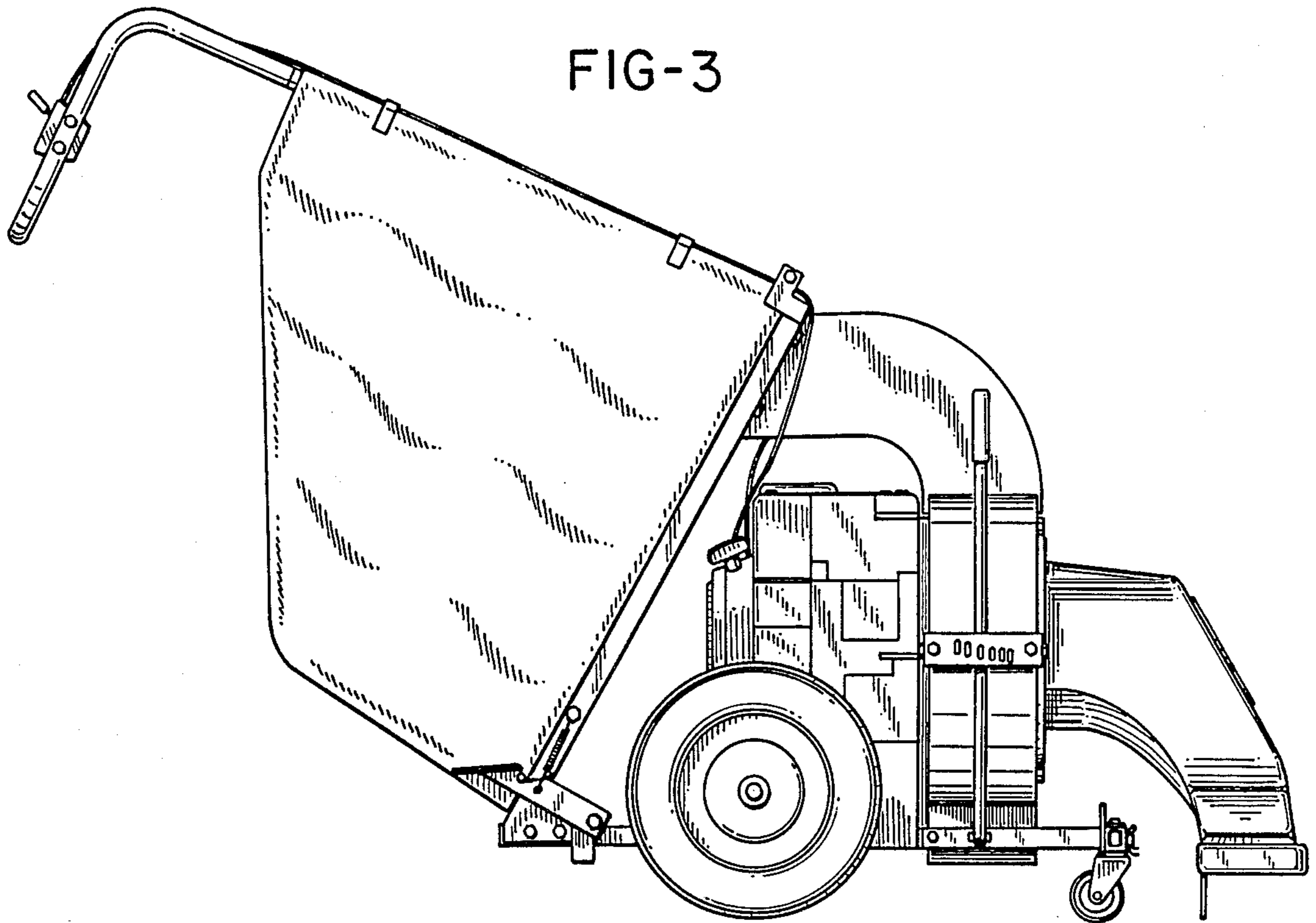


FIG-4

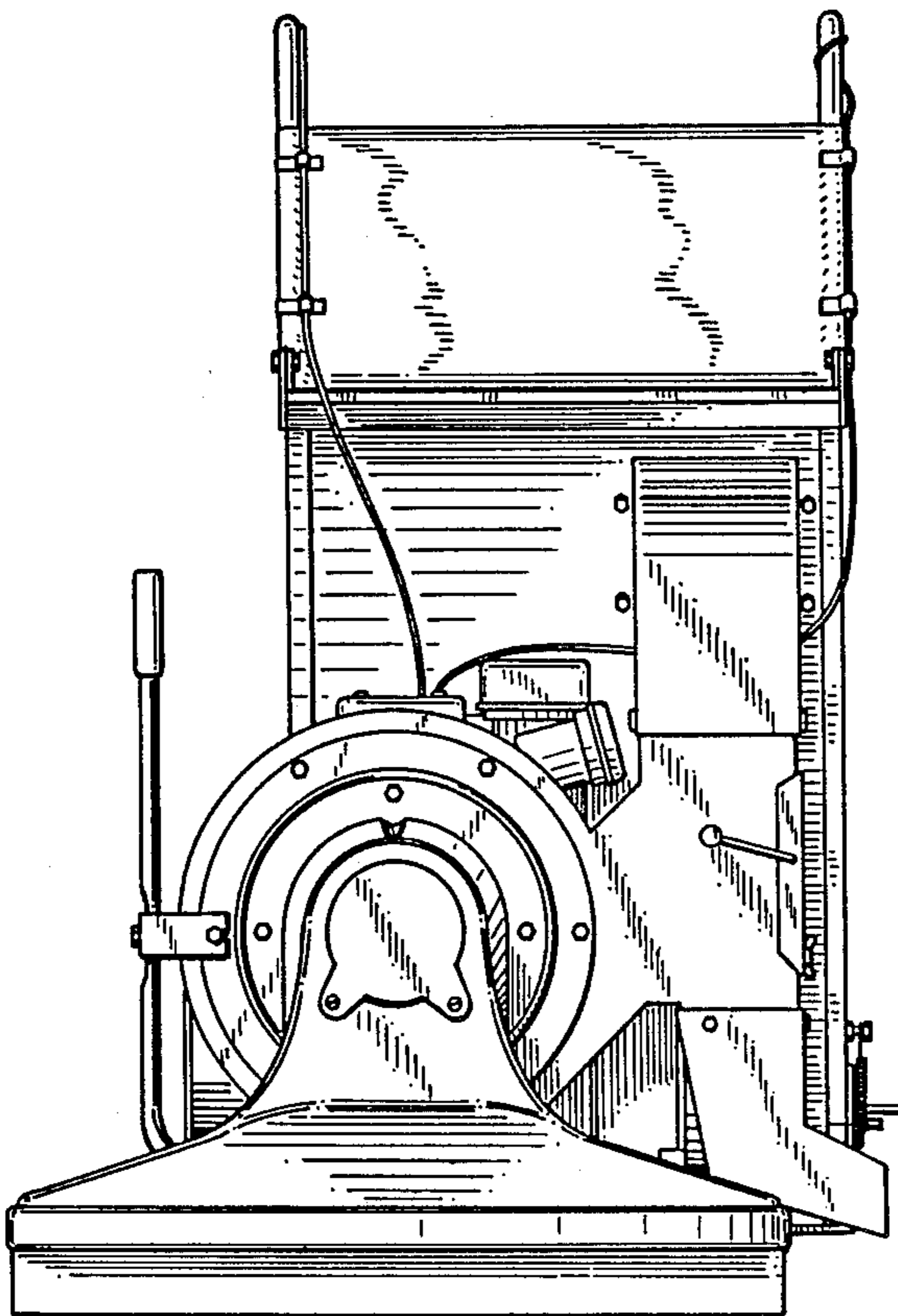


FIG-5

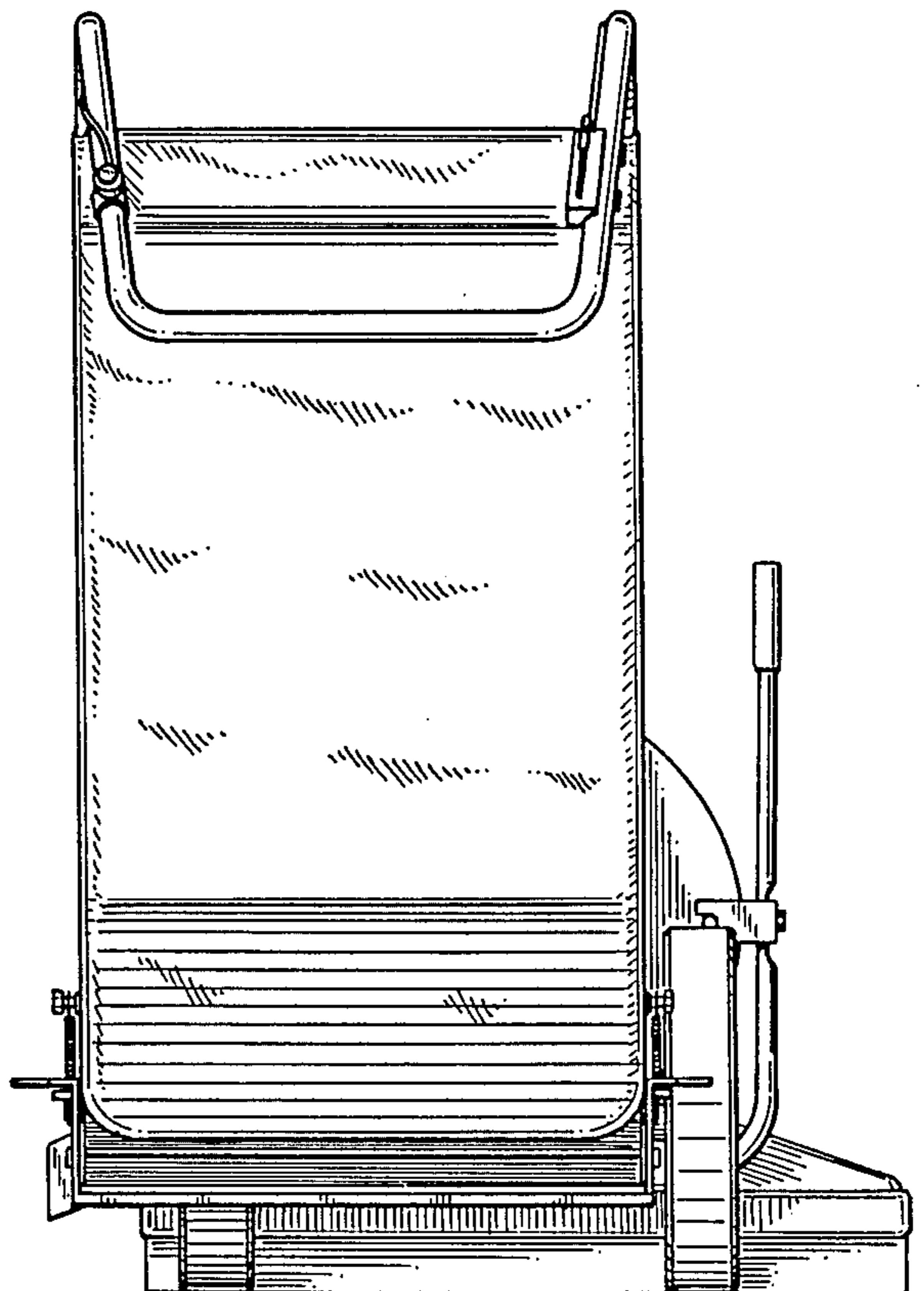


FIG-6

