

[54] SOLID DETERGENT DISPENSER

[75] Inventors: Haresh C. Lakhan, Eagan; Lawrence W. Switala, Minneapolis; Kim J. Ashton, Vadnais Heights, all of Minn.

[73] Assignee: Ecolab Inc., St. Paul, Minn.

[**] Term: 14 Years

[21] Appl. No.: 44,552

[22] Filed: Apr. 30, 1987

[52] U.S. Cl. D32/1

[58] Field of Search D32/1, 3, 25, 30; D7/70; 141/364; 134/93, 56 D, 57 DL, 58 DL; 222/180-185, 63-64, 325, 328, 460; 220/19; D6/542, 553

[56] References Cited

U.S. PATENT DOCUMENTS

- D. 244,598 6/1977 Nystuen et al. D15/99
- D. 248,103 6/1978 Larson et al. D32/3

2,245,703	6/1941	Mueller	222/181
2,770,242	11/1956	Tubiolo	134/56 D
3,595,438	7/1971	Daley et al.	222/67
4,020,865	5/1977	Moffatt et al.	137/268
4,569,463	2/1986	Pellegrino	222/181

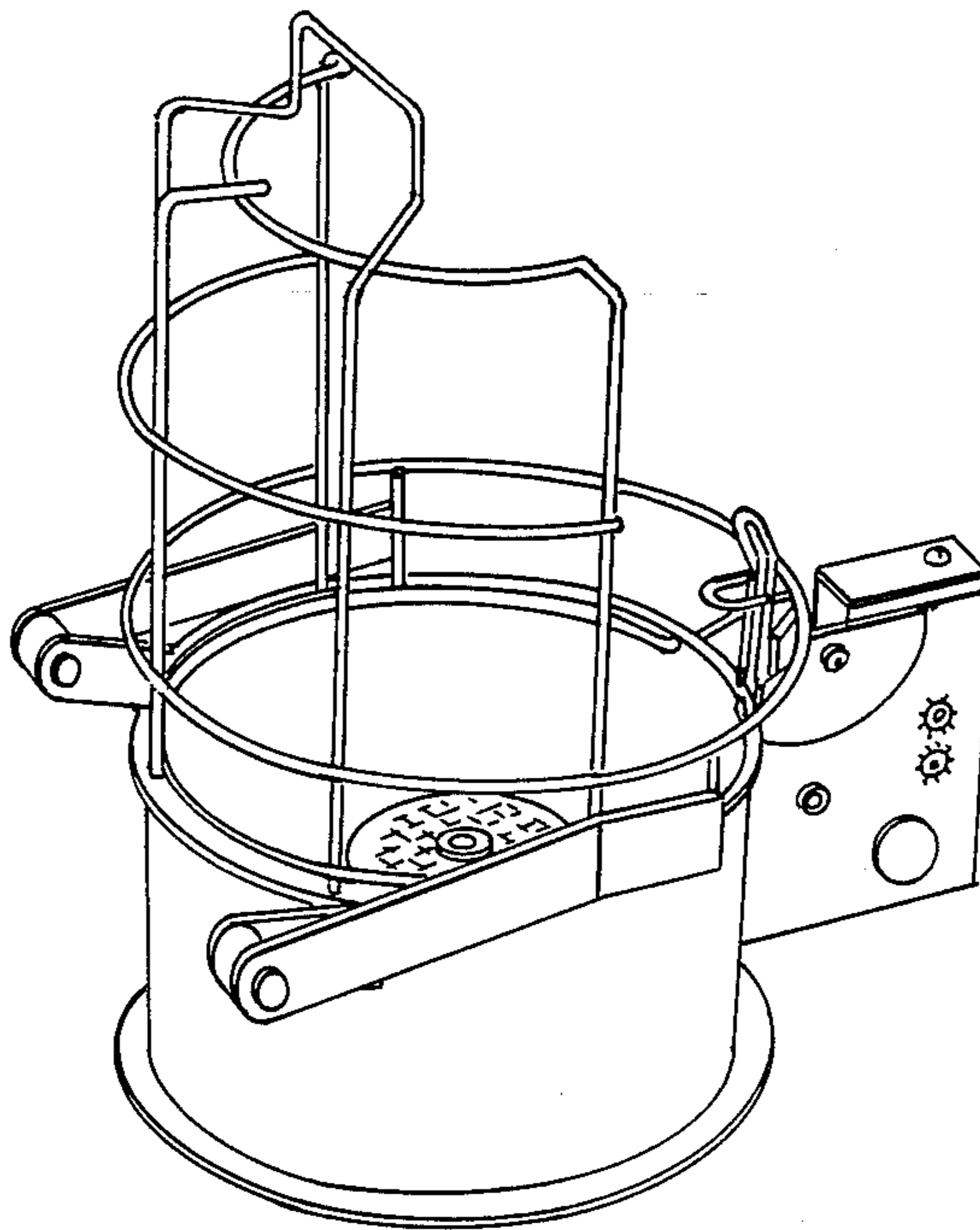
Primary Examiner—Bruce W. Dunkins
Assistant Examiner—Ruth Takemoto
Attorney, Agent, or Firm—Merchant, Gould, Smith, Edell, Welter & Schmidt

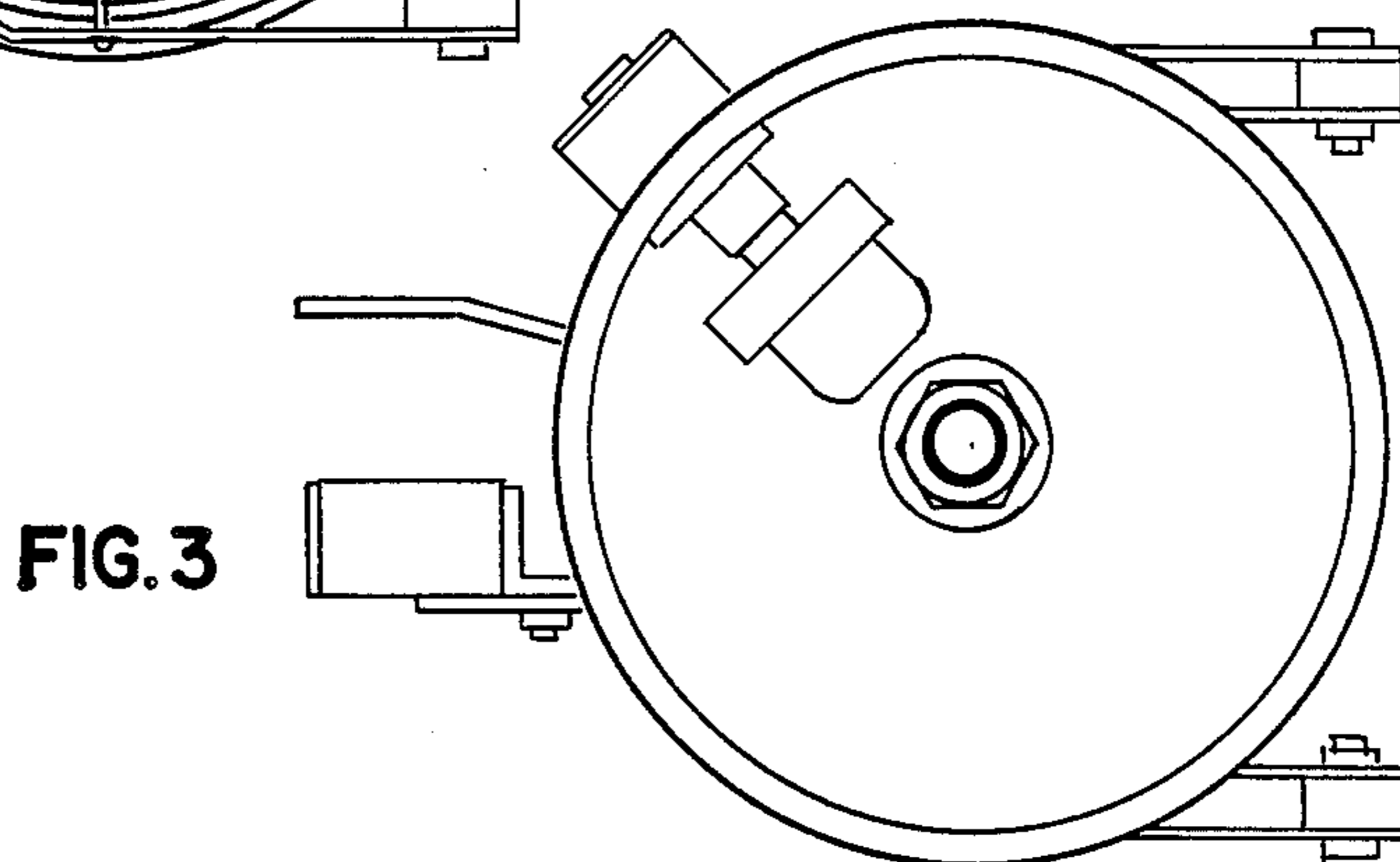
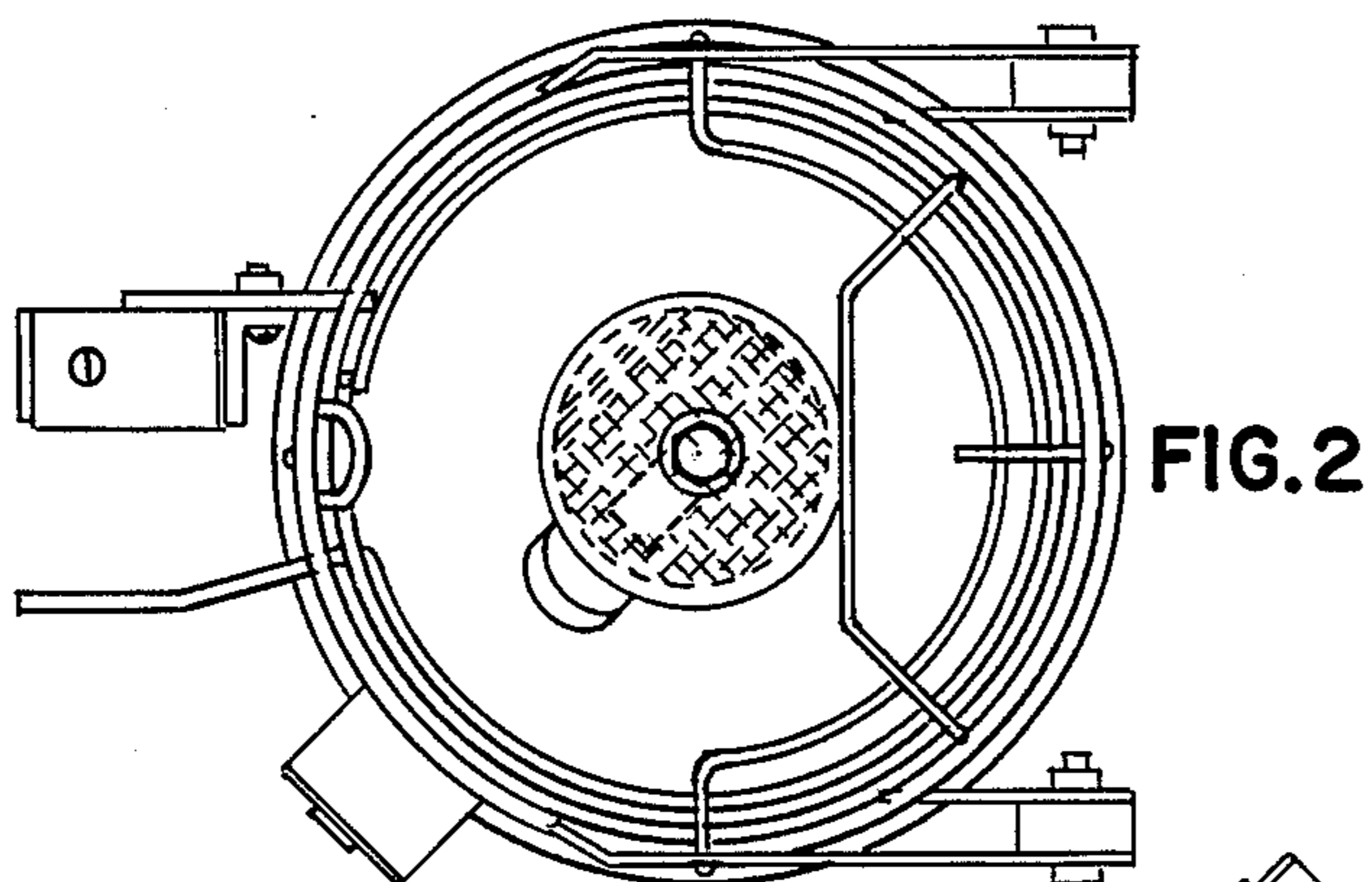
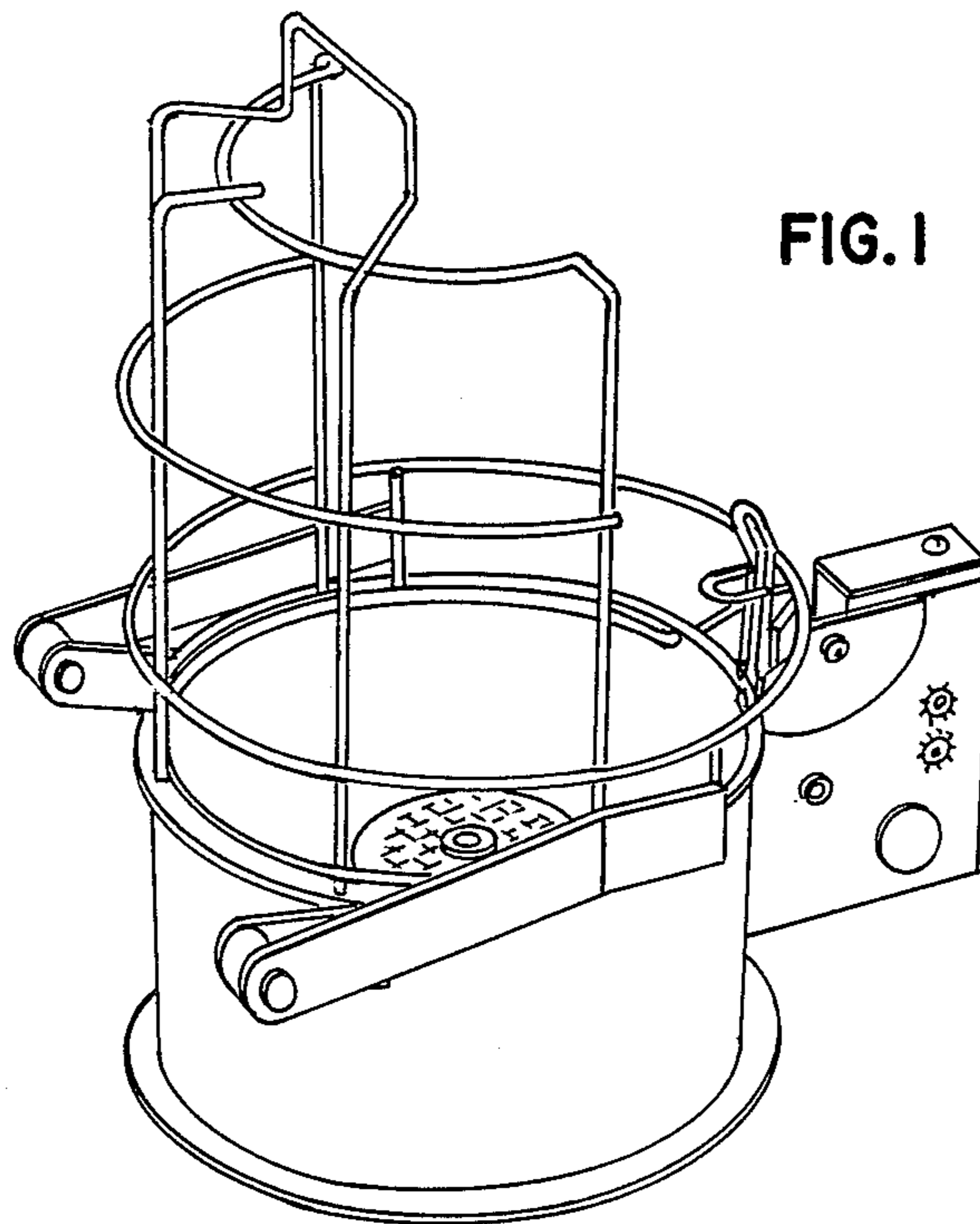
[57] CLAIM

The ornamental design for a solid detergent dispenser, as shown and described.

DESCRIPTION

FIG. 1 is a top right perspective view of a solid detergent dispenser showing our new design; FIG. 2 is a top plan view thereof; FIG. 3 is a bottom plan view thereof; FIG. 4 is a left side elevational view thereof; FIG. 5 is a rear elevational view thereof; FIG. 6 is a front elevational view thereof; and FIG. 7 is a right side elevational view thereof.





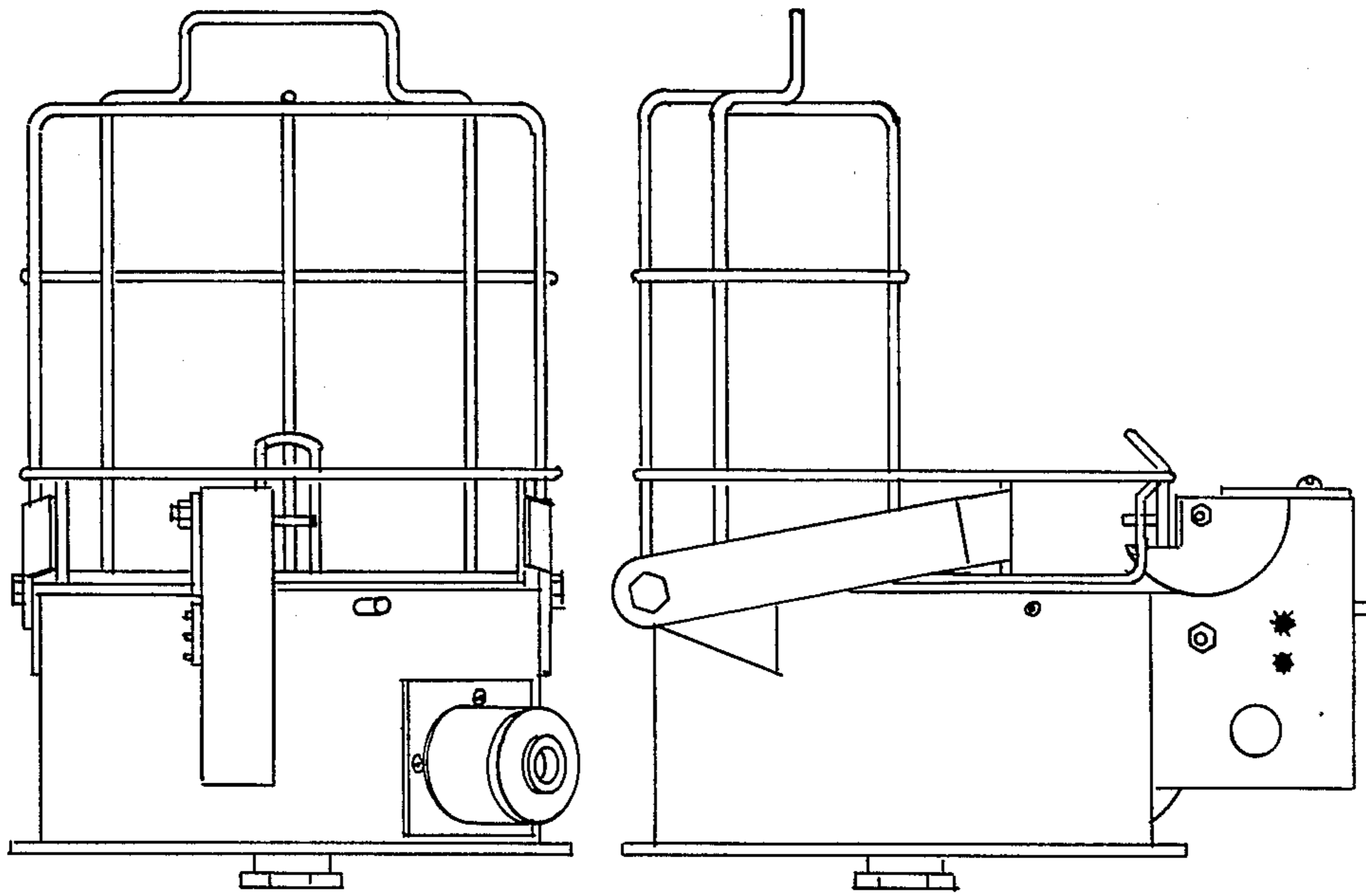
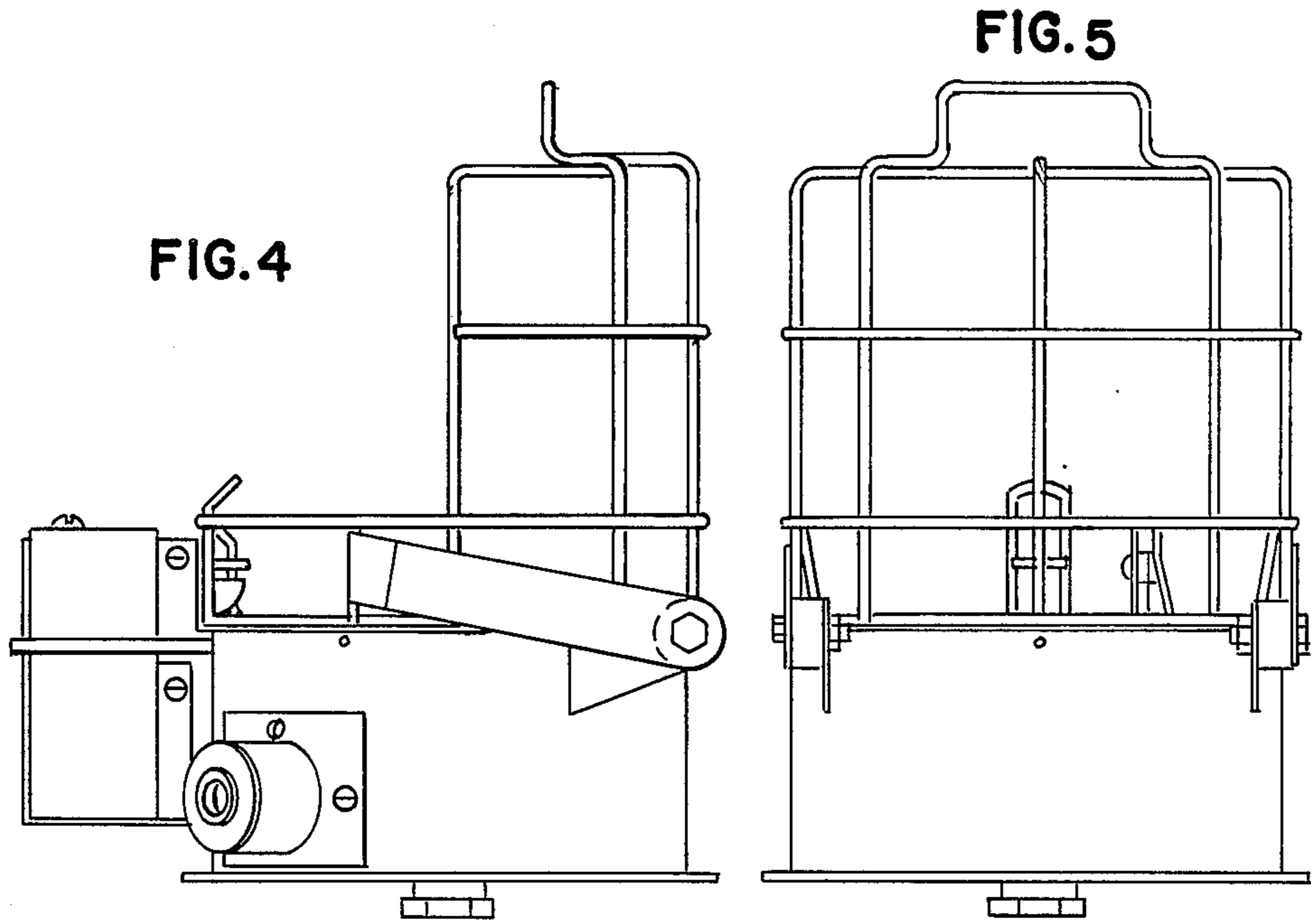


FIG. 6

FIG. 7