

[54] **WALL MOUNTED HAIR DRYER**

[75] **Inventor: Roland Nithardt, Yverdon-les-Bains, Switzerland**

[73] **Assignee: Elite S.R.I., Italy**

[**] **Term: 14 Years**

[21] **Appl. No.: 37,567**

[22] **Filed: Apr. 13, 1987**

[30] **Foreign Application Priority Data**

Oct. 14, 1986 [IB] Int'l Pat. Institute DM/007,625

[52] **U.S. Cl. D28/12**

[58] **Field of Search D28/9-18, D28/73; 219/222; 34/96-101; 132/7, 9**

[56] **References Cited**

U.S. PATENT DOCUMENTS

D. 260,302 8/1981 Lacey D28/15
D. 269,819 7/1983 Froidevaux D28/12
D. 294,741 3/1988 Froidevaux D28/12

Primary Examiner—Louis S. Zarfes

Attorney, Agent, or Firm—Davis, Bujold & Streck

[57] **CLAIM**

The ornamental design for a wall mounted hair dryer, as shown.

DESCRIPTION

FIG. 1 is a front elevational view of a wall mounted hair dryer showing my new design.

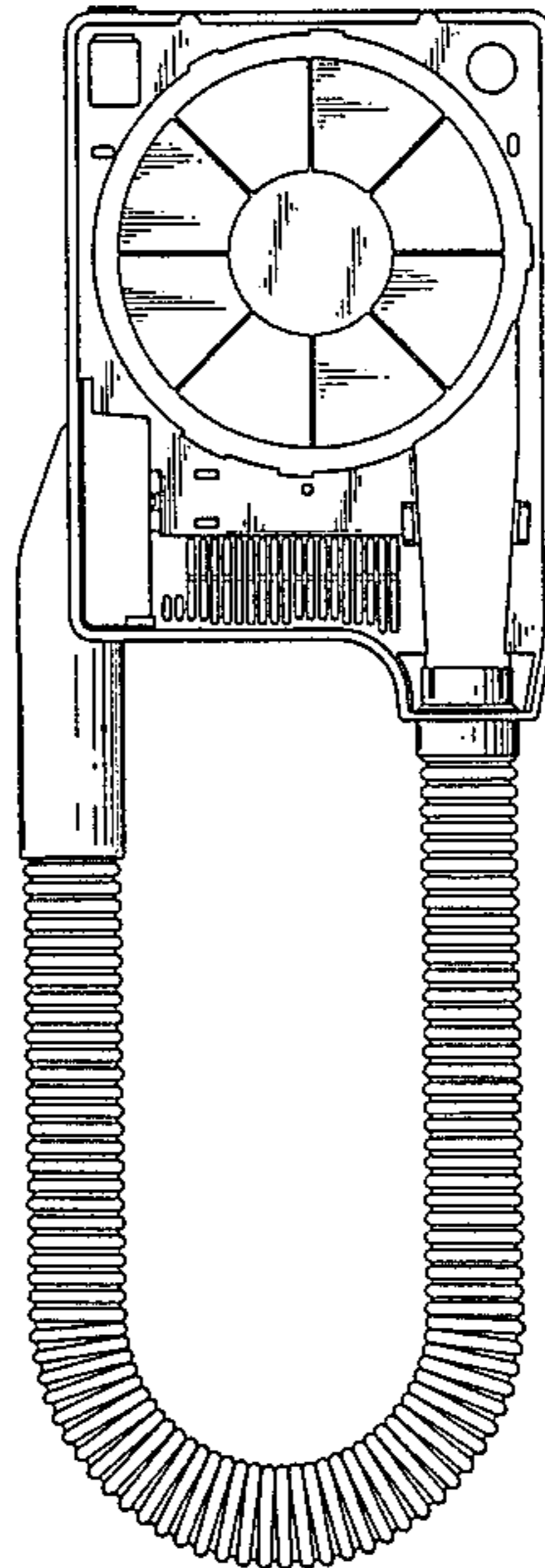
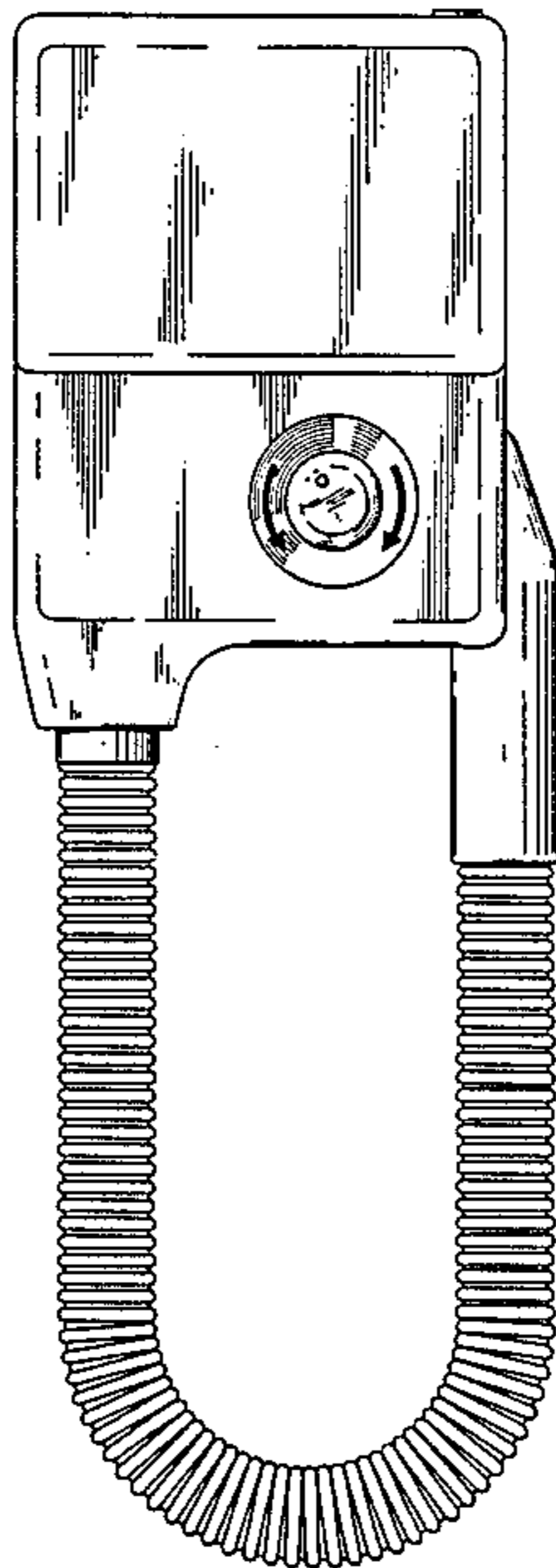
FIG. 2 is a right side elevational view thereof.

FIG. 3 is left side elevational view thereof.

FIG. 4 is a top plan view thereof.

FIG. 5 is a bottom plan view thereof.

FIG. 6 is a rear elevational view thereof.



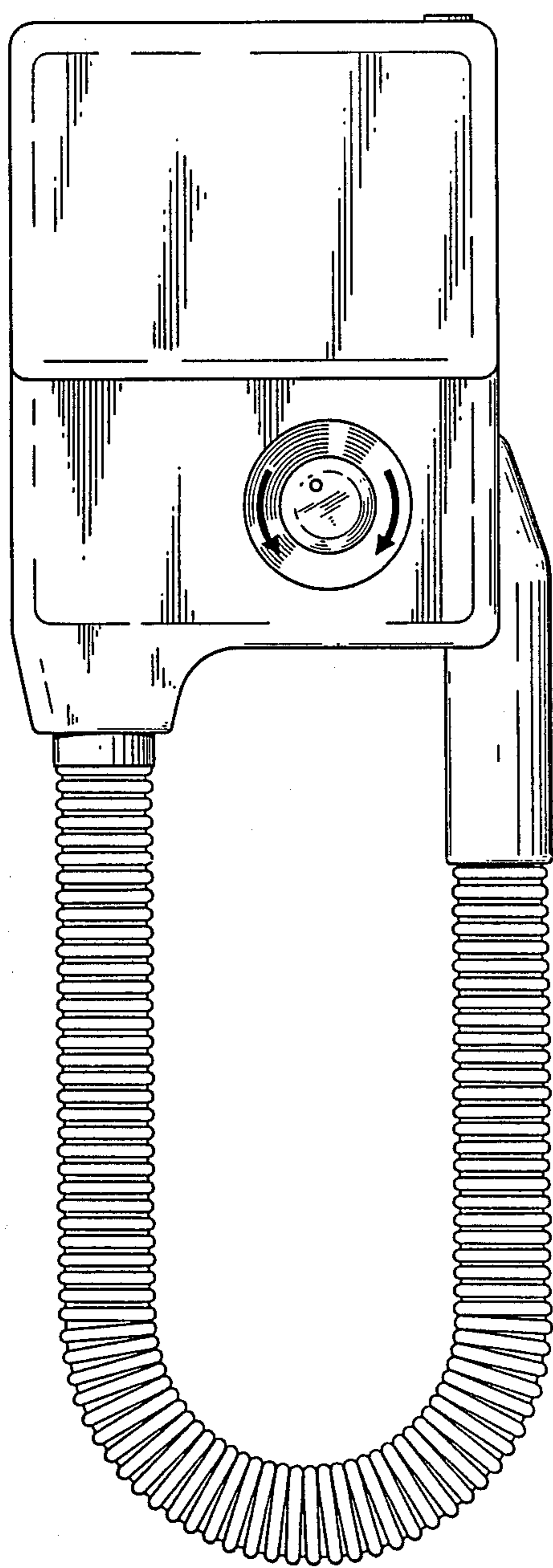


FIG. 1

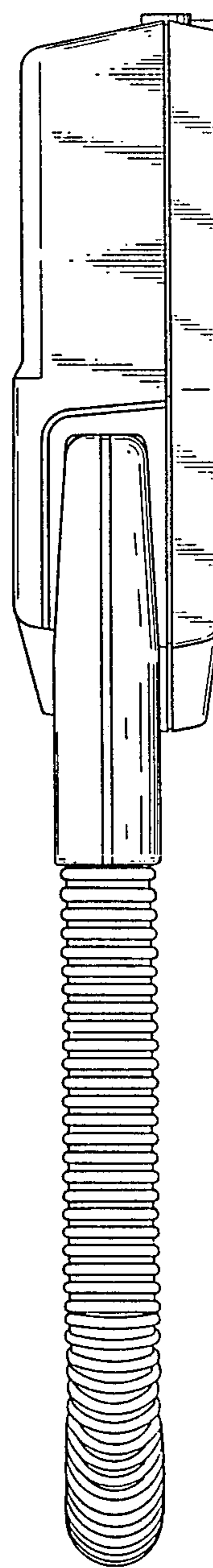


FIG. 2

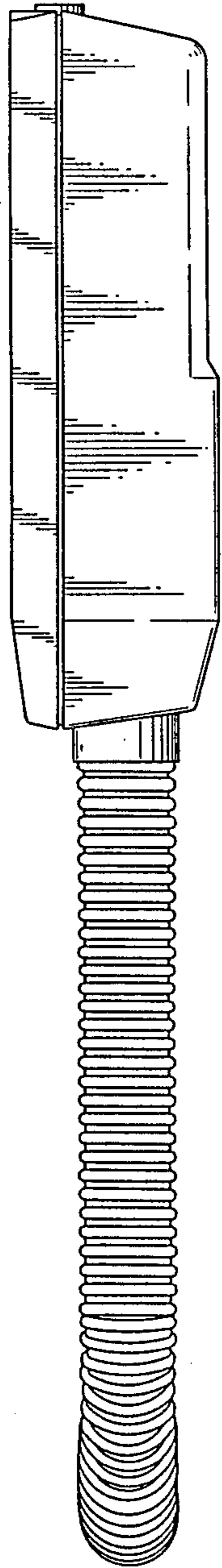


FIG. 3

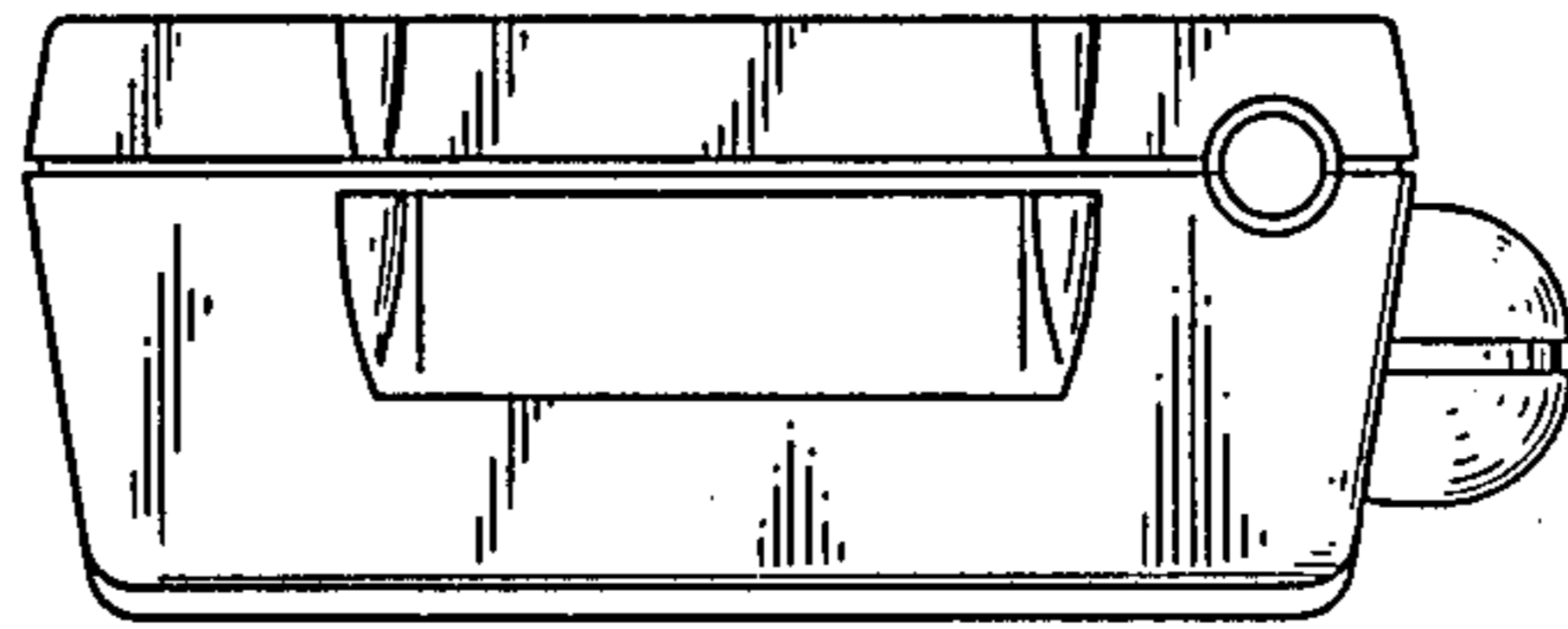


FIG. 4

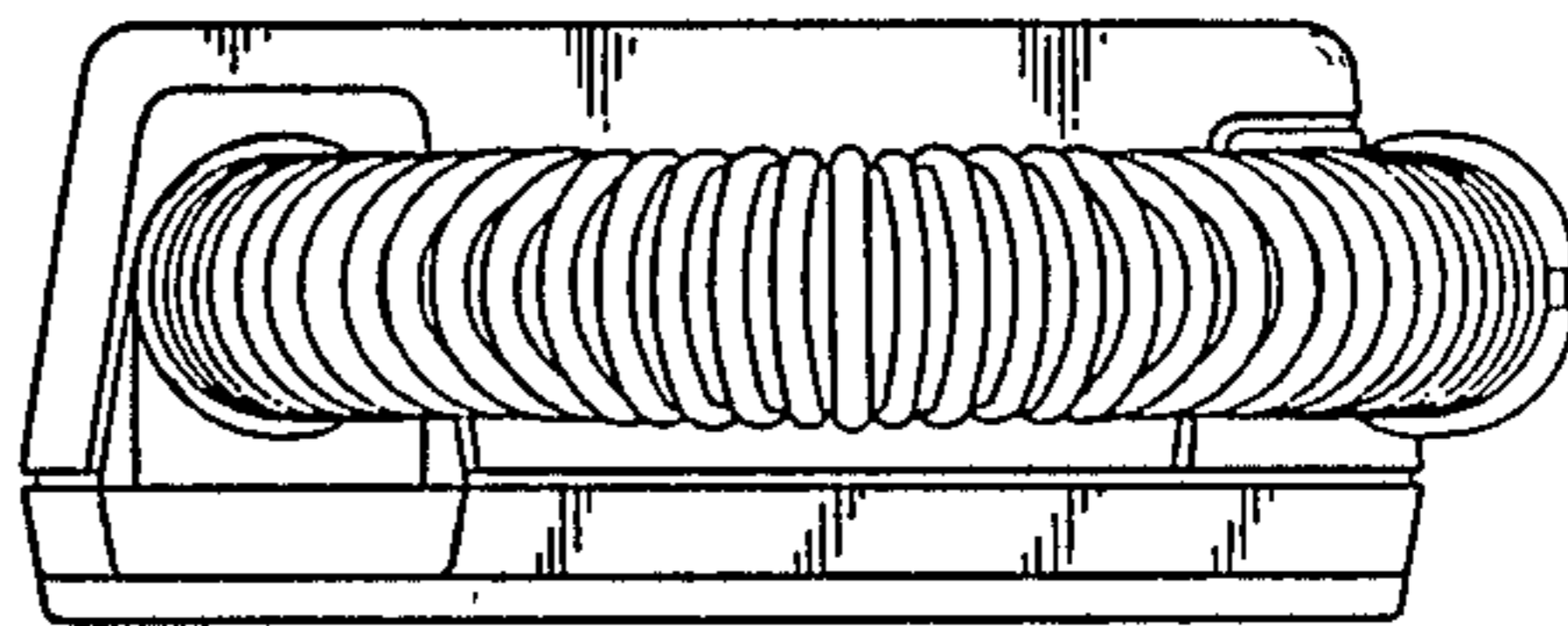


FIG. 5

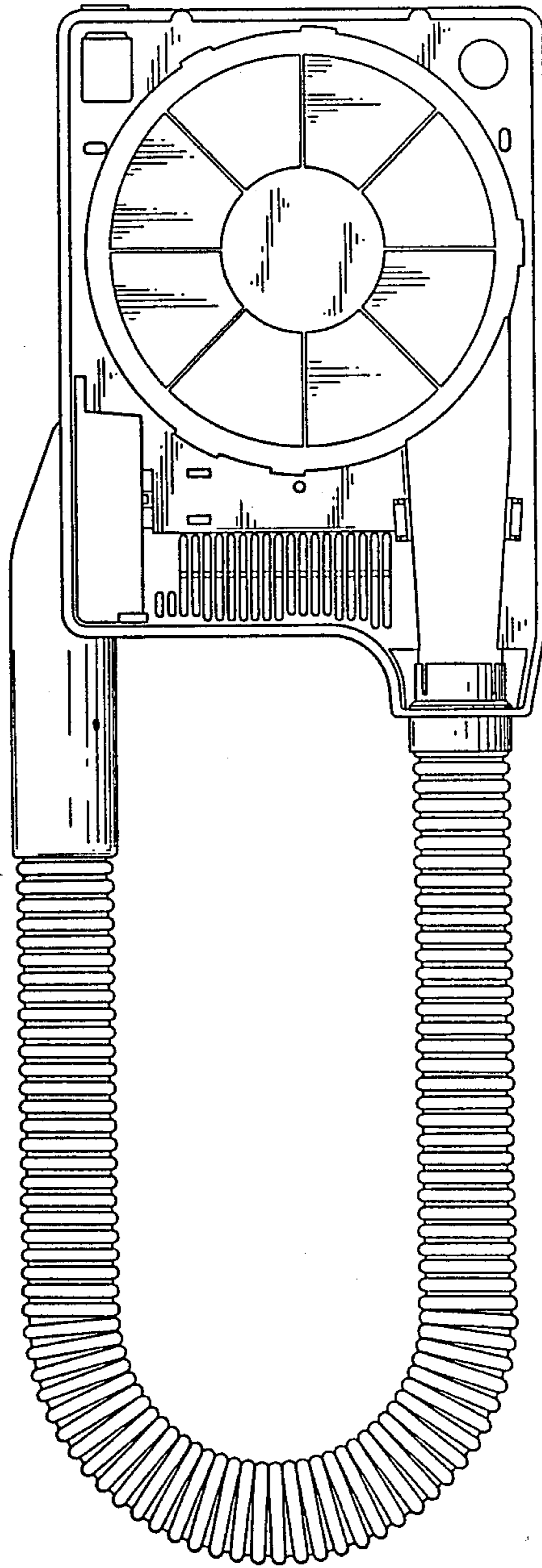


FIG. 6