

[54] **LIGHT FIXTURE**

[76] **Inventor: Fredrick R. Glassman, 9170 La Alba Dr., Whittier, Calif. 90603**

[**] **Term: 14 Years**

[21] **Appl. No.: 1,091**

[22] **Filed: Jan. 7, 1987**

[52] **U.S. Cl. D26/85**

[58] **Field of Search D26/72-92;
362/147, 404-408, 362, 363, 806**

[56] **References Cited**

U.S. PATENT DOCUMENTS

D. 252,533 7/1979 Glassman D26/89

FOREIGN PATENT DOCUMENTS

269284 3/1969 Austria 362/407

OTHER PUBLICATIONS

Lightolier "Light Book", 1981, p. 85, Wall Fixture #4305.

Norwell Lighting Catalog, 1981, p. 90, Ceiling Fixture #C-75/3 H.

Thomas Lighting Catalog, 1980, p. 67, Ceiling Fixture M-4382.

Primary Examiner—Susan J. Lucas

Attorney, Agent, or Firm—Blakely, Sokoloff, Taylor & Zafman

[57] **CLAIM**

The ornamental design for a light fixture, as shown and described.

DESCRIPTION

FIG. 1 is a bottom, side perspective view of a light fixture showing my new design;

FIG. 2 is a top plan view thereof;

FIG. 3 is a front elevational view thereof, the rear and sides being identical;

FIG. 4 is a bottom plan view thereof.

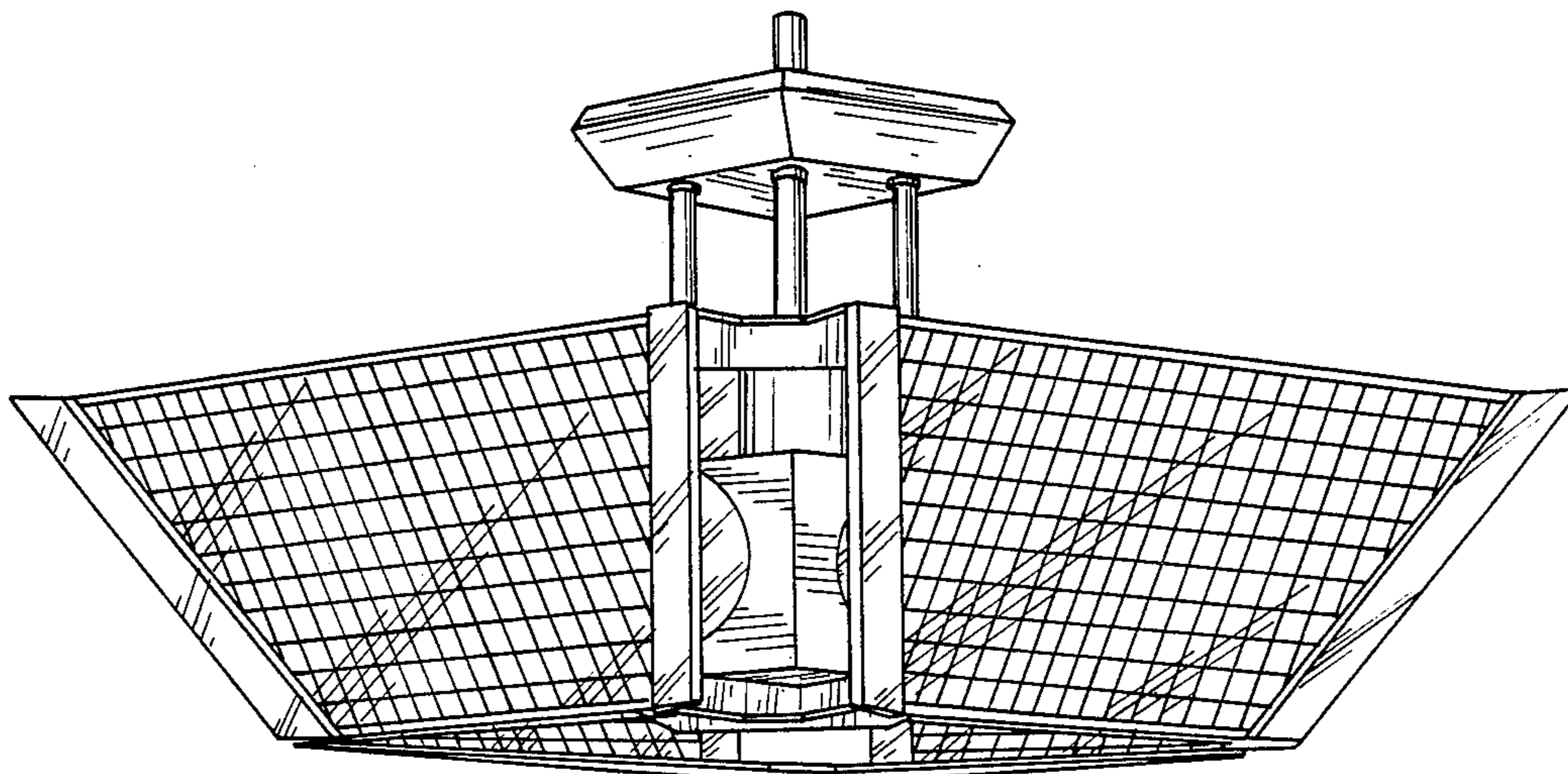


FIG. 1

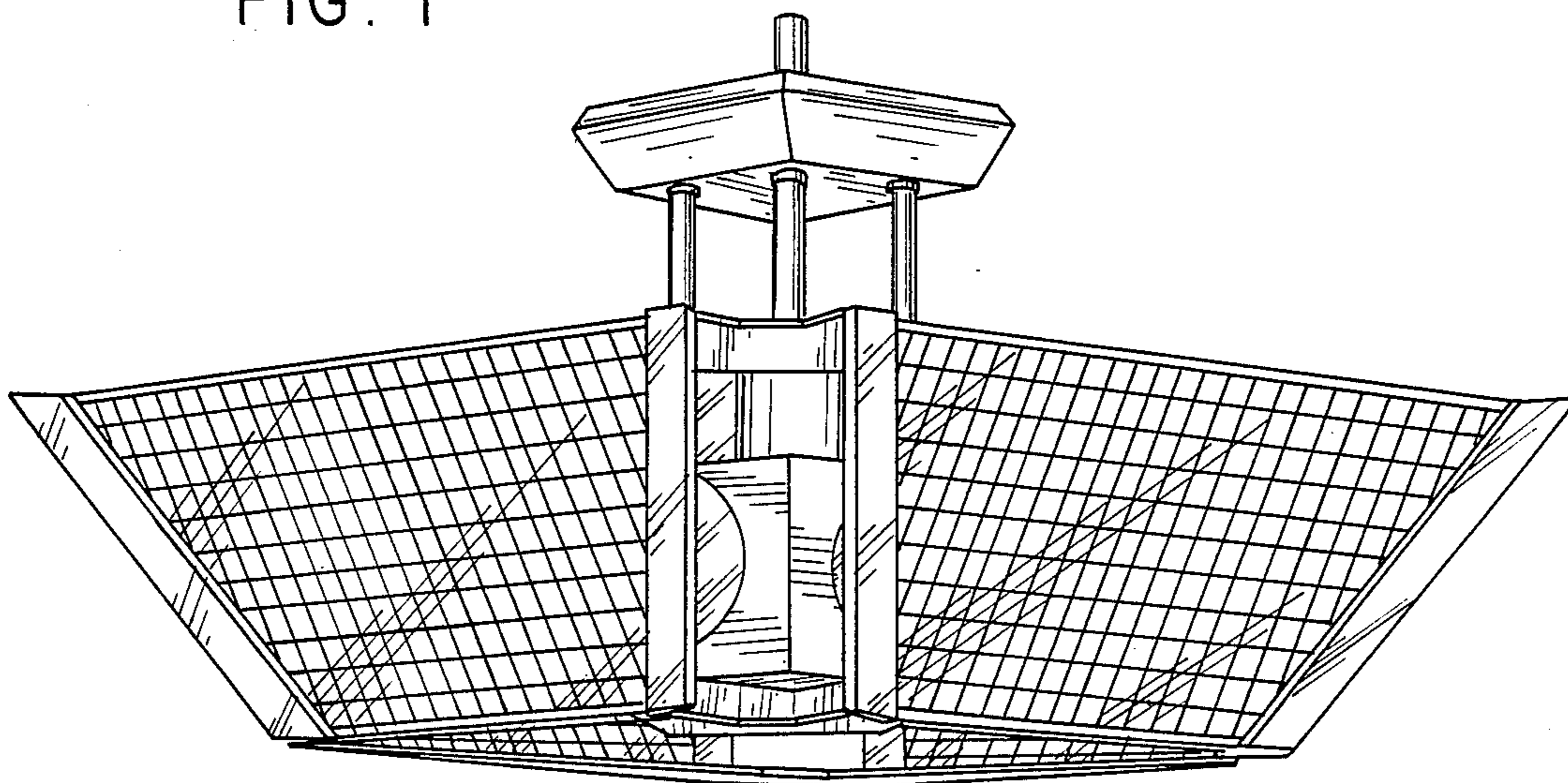


FIG. 2

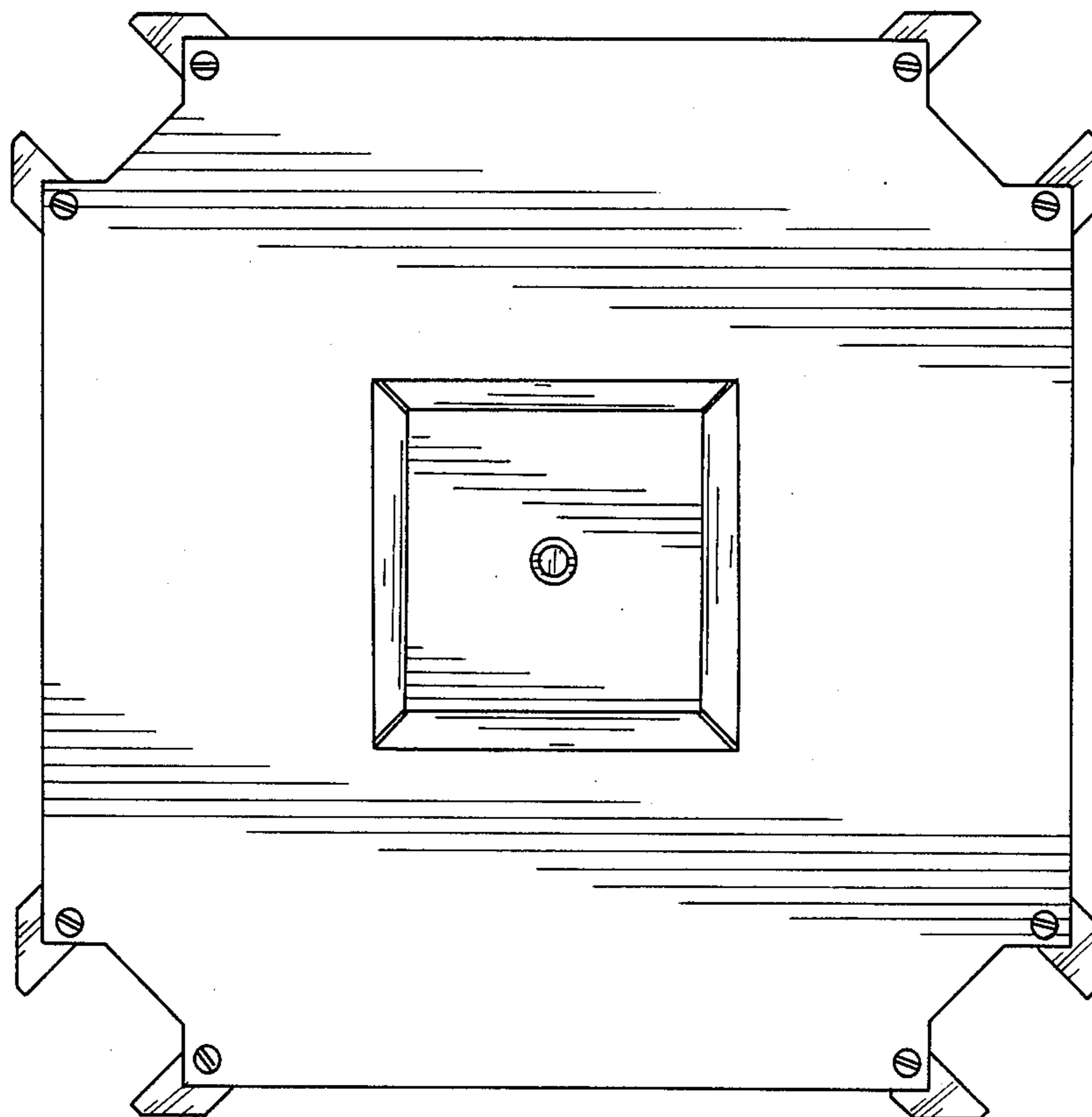


FIG. 3

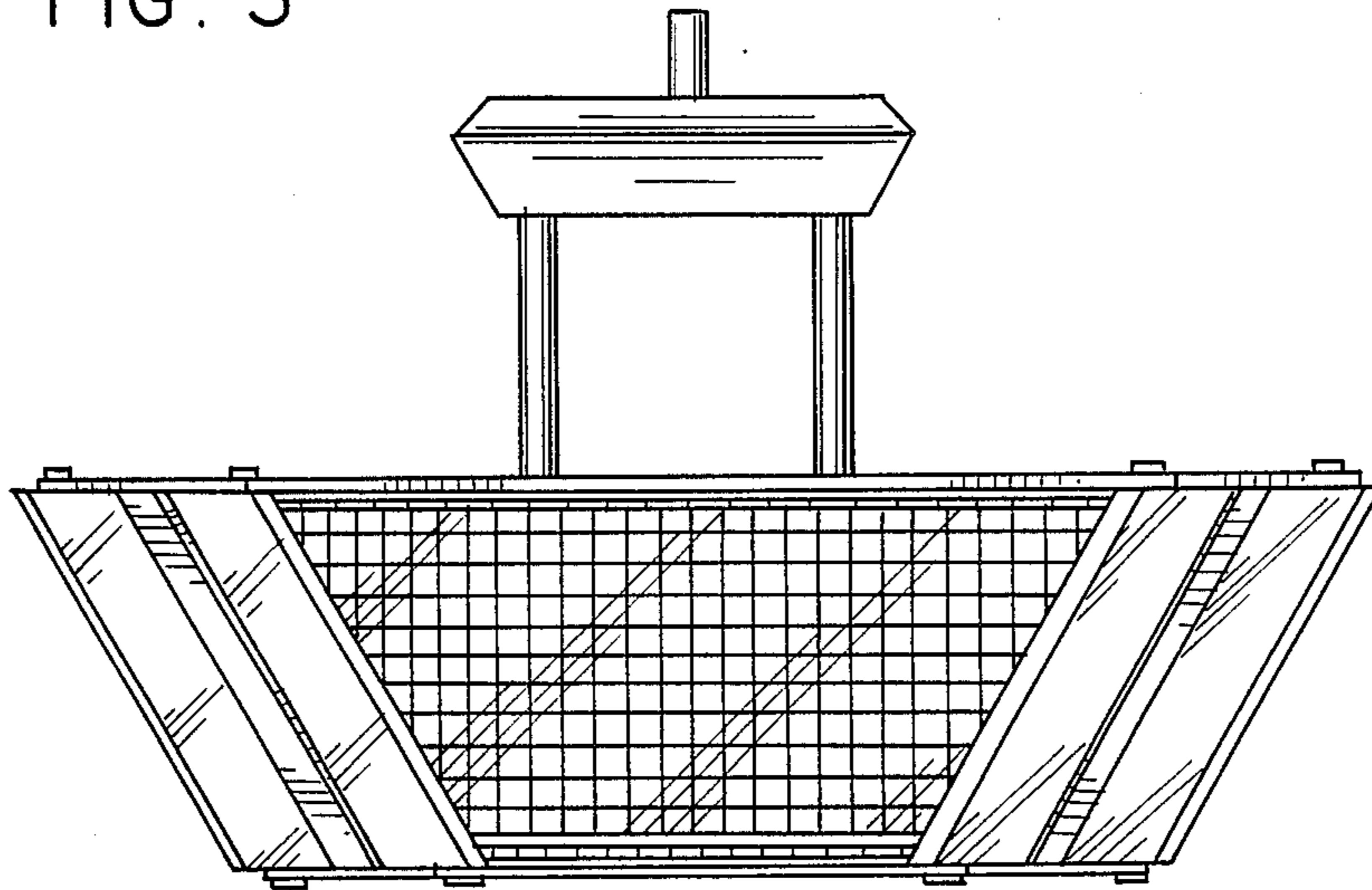


FIG. 4

