

United States Patent [19]

Fuller

[11] Patent Number: **Des. 304,091**

[45] Date of Patent: **** Oct. 17, 1989**

[54] **LOCK ILLUMINATOR**

[76] Inventor: **Dennis E. Fuller**, 26586 Windsor Ave., Elkhart, Ind. 46514

[**] Term: **14 Years**

[21] Appl. No.: **898,109**

[22] Filed: **Aug. 20, 1986**

[52] U.S. Cl. **D26/72**

[58] Field of Search **D26/72, 80-92, D26/24, 26, 37; 362/157, 183, 200, 404-408, 432, 362, 95, 100, 147**

[56] **References Cited**

U.S. PATENT DOCUMENTS

D. 161,950 2/1951 McMath et al. D26/72
D. 162,323 3/1951 Lightfoot D26/72
2,927,197 3/1960 Phillips et al. 362/100

4,514,789 4/1985 Jester 362/95

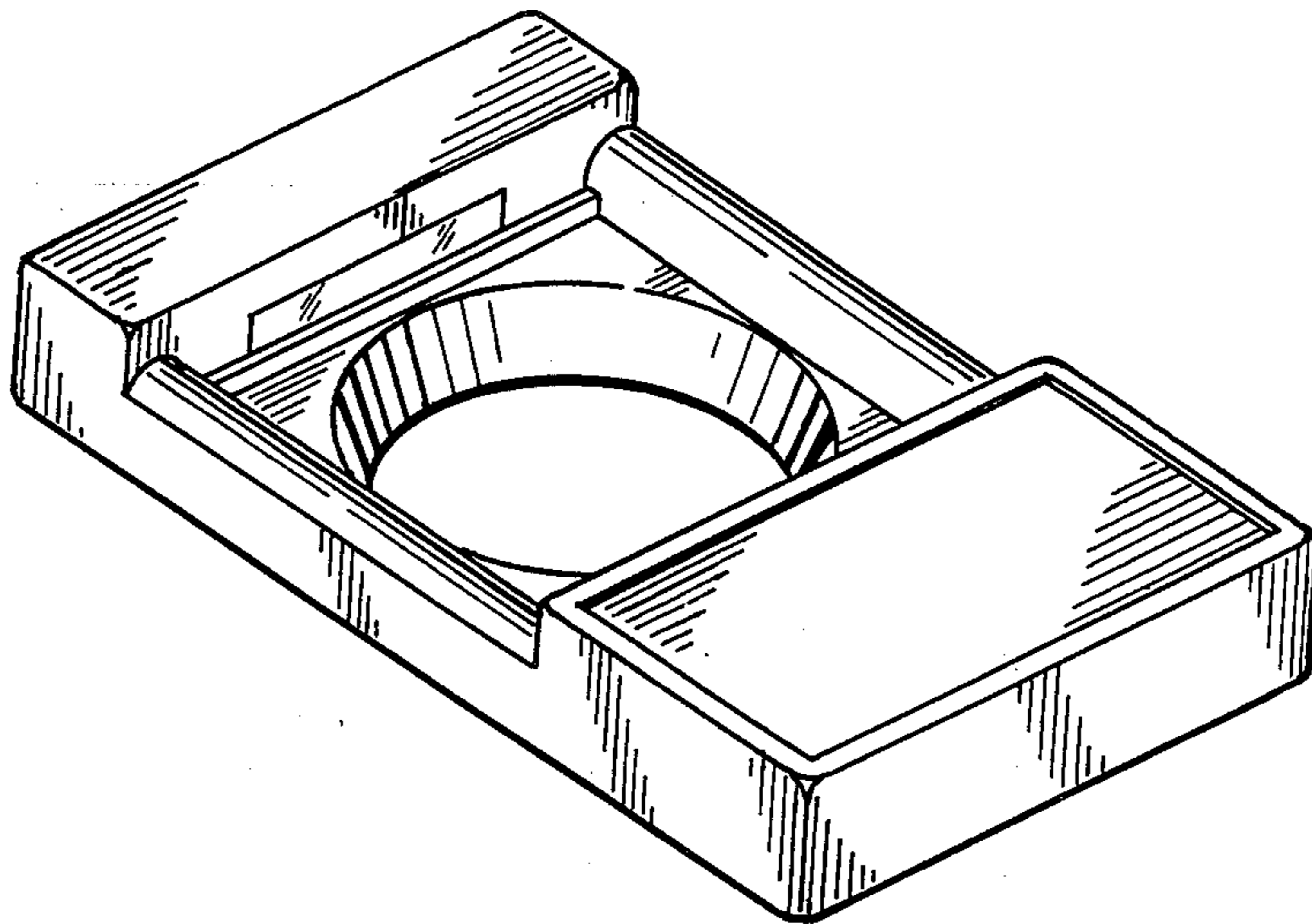
Primary Examiner—Susan J. Lucas
Attorney, Agent, or Firm—James D. Hall; Thomas J. Dodd; Todd A. Dawson

[57] **CLAIM**

The ornamental design for a lock illuminator, as shown and described.

DESCRIPTION

FIG. 1 is a front, side, and end perspective view of a lock illuminator showing my new design;
FIG. 2 is a front, opposite side, and opposite end perspective view thereof.
FIG. 3 is an end elevational view thereof;
FIG. 4 is an opposite end elevational view thereof;
FIG. 5 is a front elevational view thereof;
FIG. 6 is a side elevational view thereof, the opposite side being a mirror image.



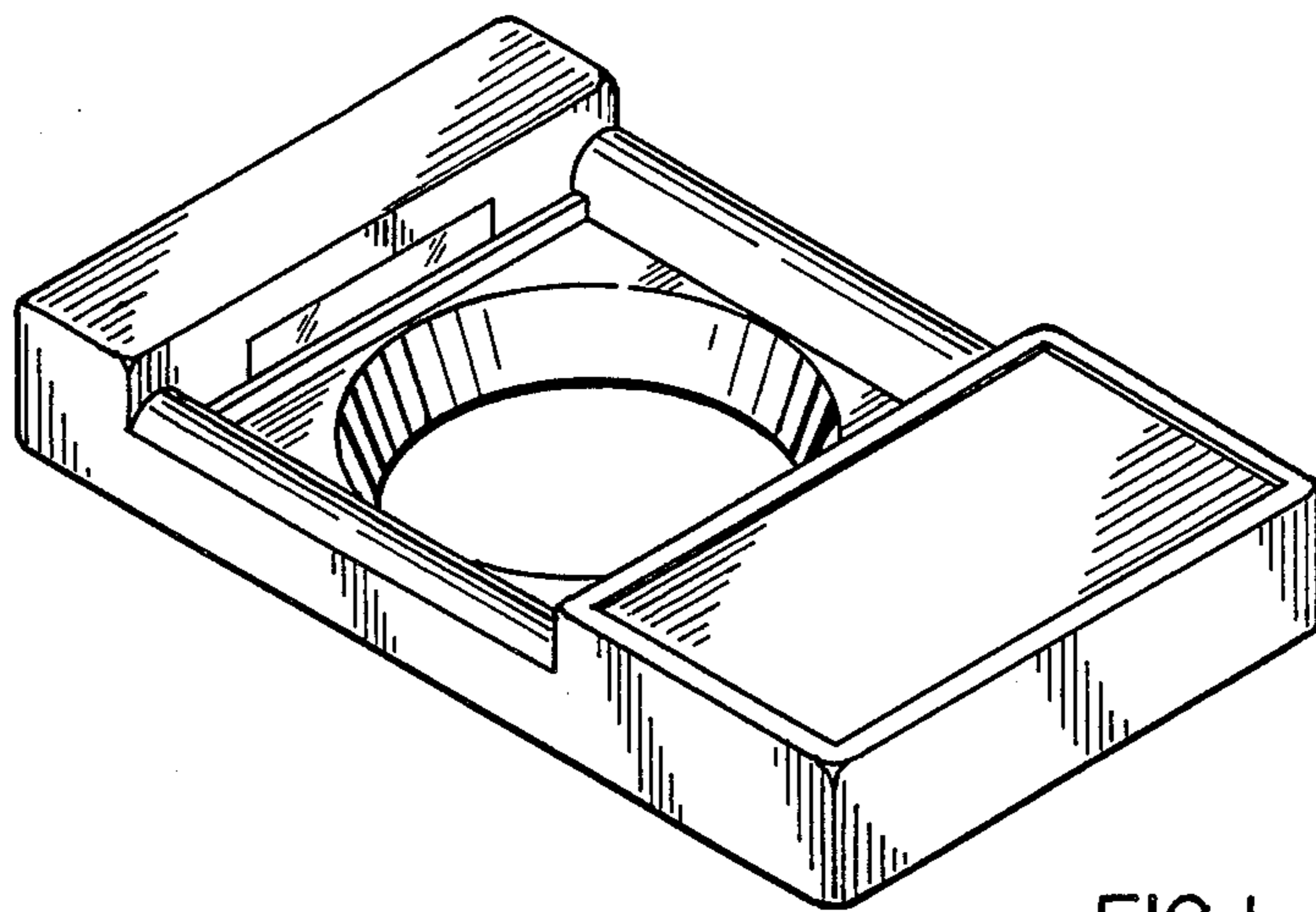


FIG. 1

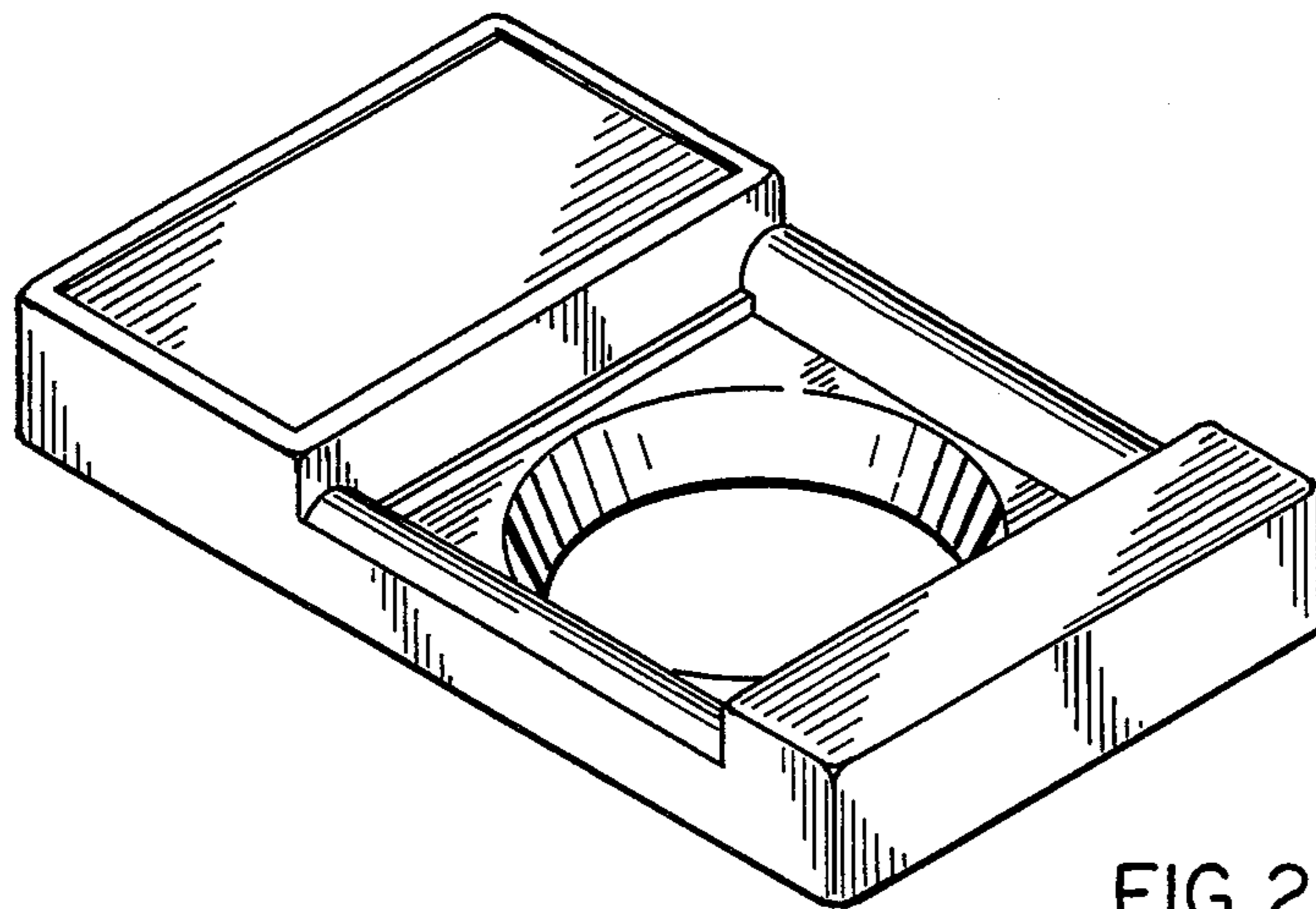


FIG. 2



FIG. 3

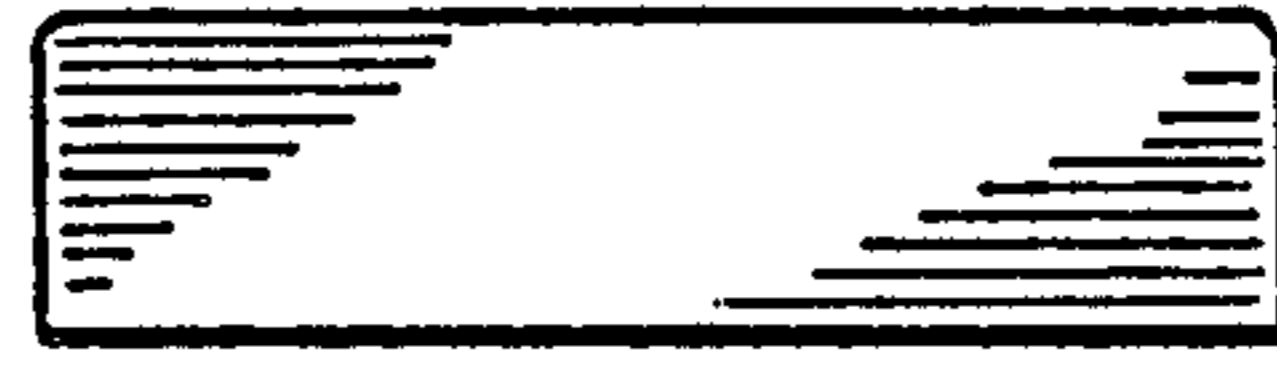


FIG. 4

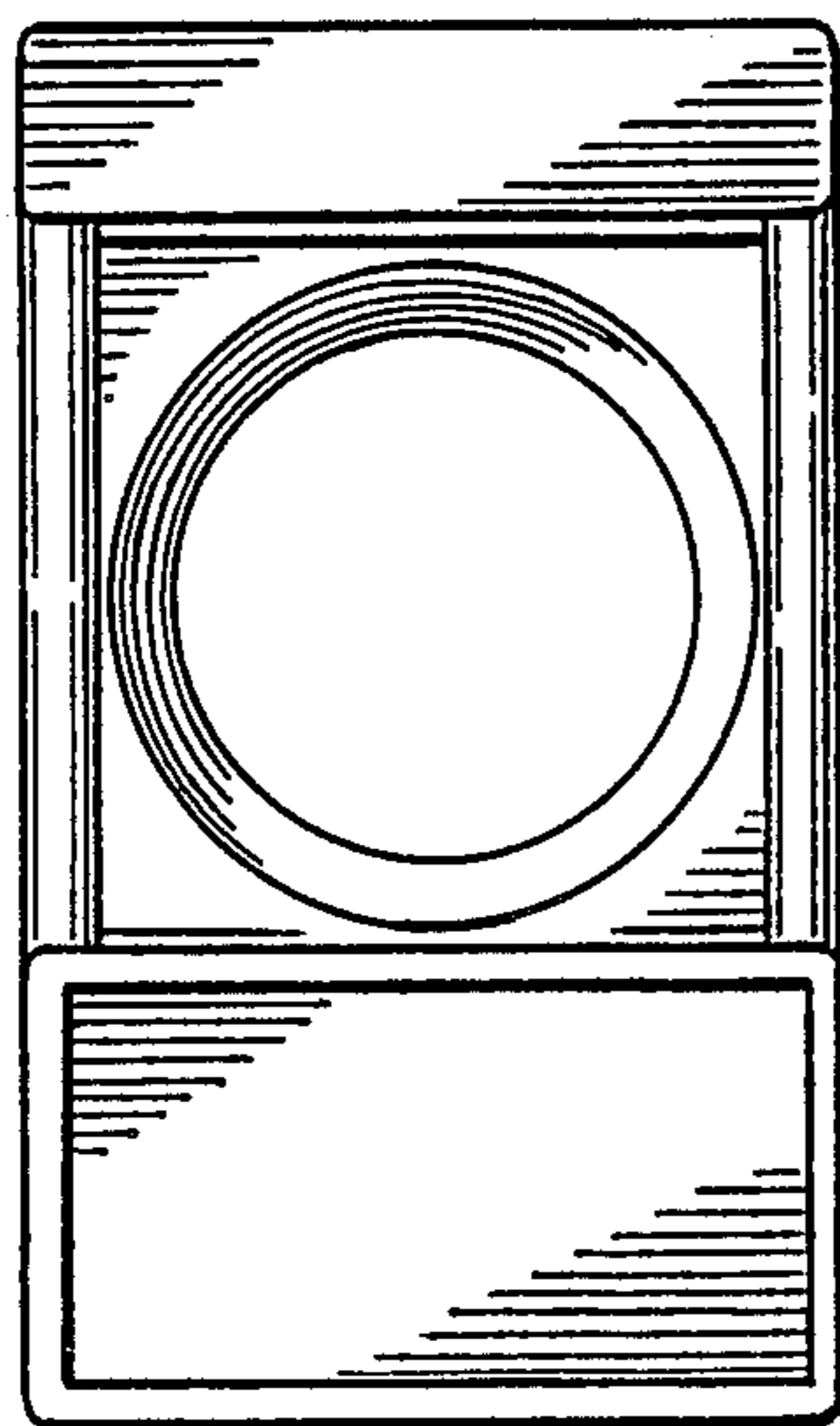


FIG. 5



FIG. 6