

# United States Patent [19]

Wan

[11] Patent Number: **Des. 304,090**

[45] Date of Patent: **\*\* Oct. 17, 1989**

[54] **MULTI-FUNCTION LANTERN**

[75] Inventor: **Yiu C. A. Wan, Kowloon, Hong Kong**

[73] Assignee: **Fee Tat Plastic Factory Limited, Aberdeen, Hong Kong**

[\*\*] Term: **14 Years**

[21] Appl. No.: **957**

[22] Filed: **Jan. 5, 1987**

[30] **Foreign Application Priority Data**

Oct. 13, 1986 [GB] United Kingdom ..... 1037338  
[52] U.S. Cl. .... **D26/42; D26/48**  
[58] Field of Search ..... **D26/37-50;**  
**362/157, 158, 183-208**

[56] **References Cited**

**U.S. PATENT DOCUMENTS**

D. 265,594 7/1982 Mann ..... D26/37  
D. 271,909 12/1983 Mallory ..... D26/42

D. 272,654 2/1984 Ho ..... D26/48

**FOREIGN PATENT DOCUMENTS**

2920299 11/1980 Fed. Rep. of Germany ..... 362/157

**OTHER PUBLICATIONS**

Hong Kong Enterprise, 9/1985, p. 222, "Falcon" Rechargeable Lantern.

*Primary Examiner*—Susan J. Lucas

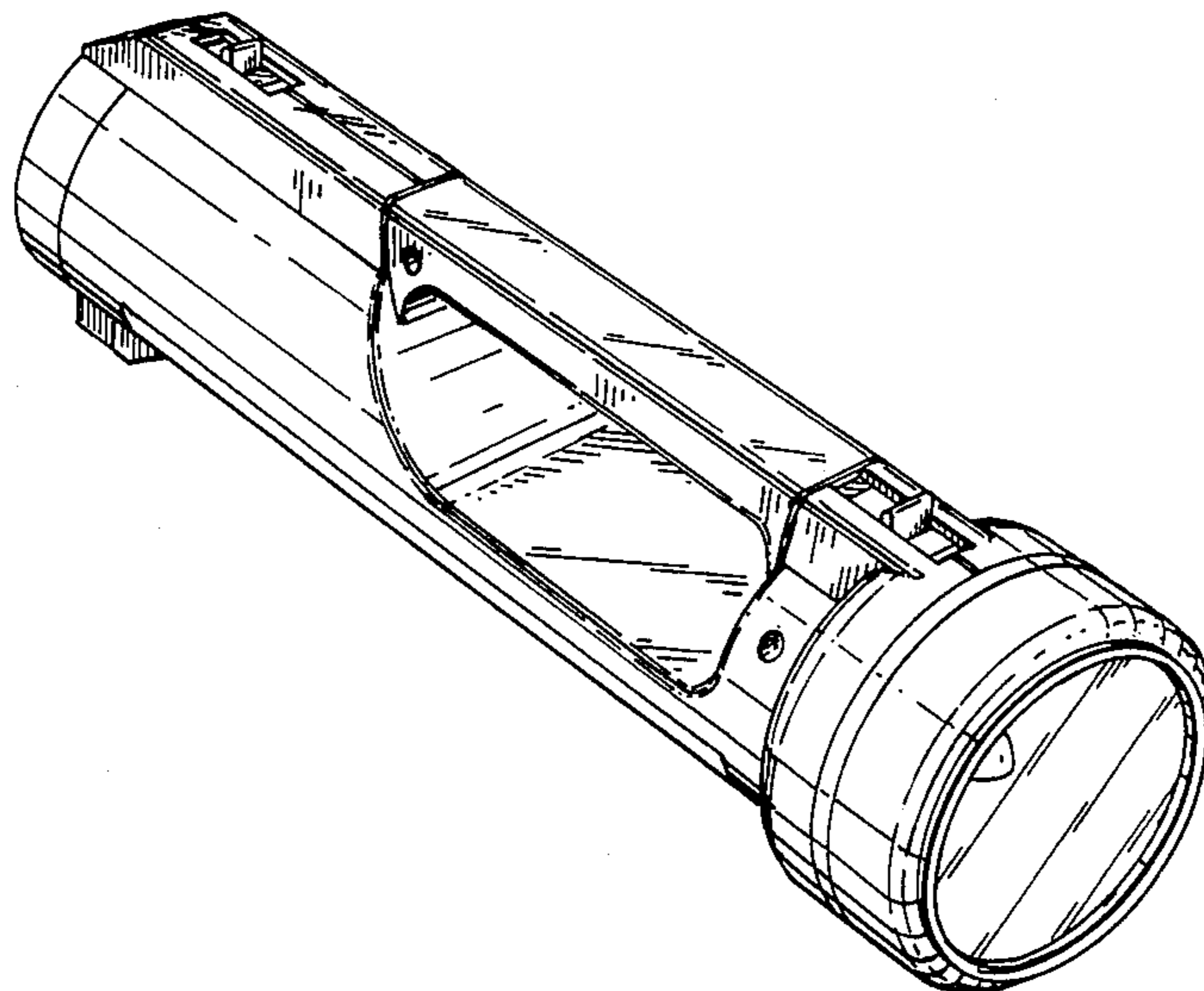
*Attorney, Agent, or Firm*—Majestic, Parsons, Siebert & Hsue

[57] **CLAIM**

The ornamental design for a multi-function lantern, as shown.

**DESCRIPTION**

FIG. 1 is a top, front, right side perspective view of a multi-function lantern showing my new design;  
FIG. 2 is a left side elevational view thereof;  
FIG. 3 is a bottom plan view thereof;  
FIG. 4 is a rear elevational view thereof.



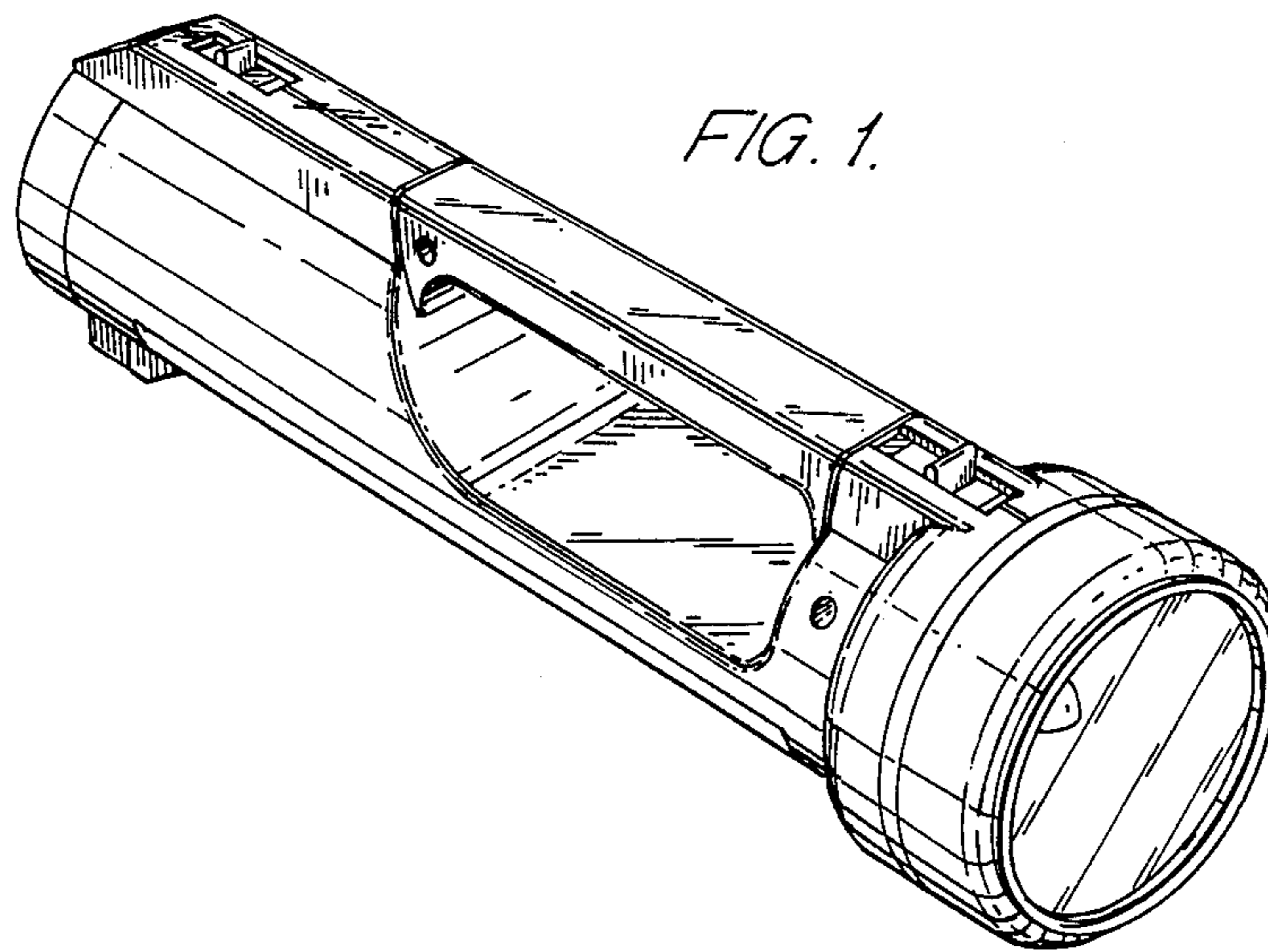


FIG. 1.

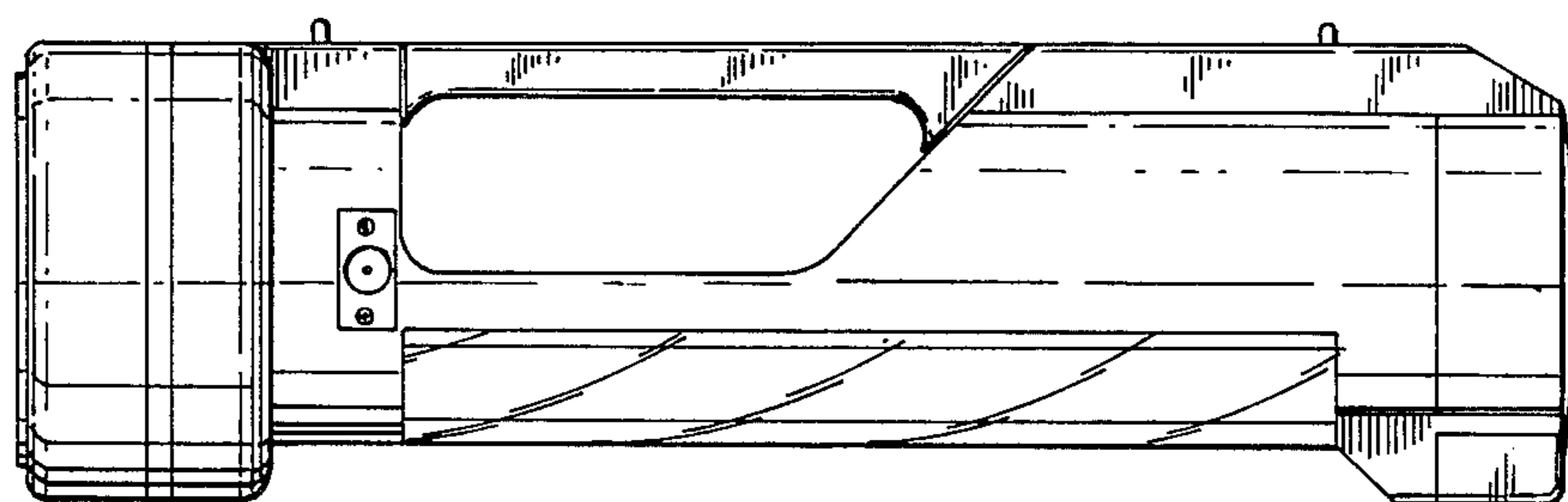


FIG. 2.

FIG. 3.

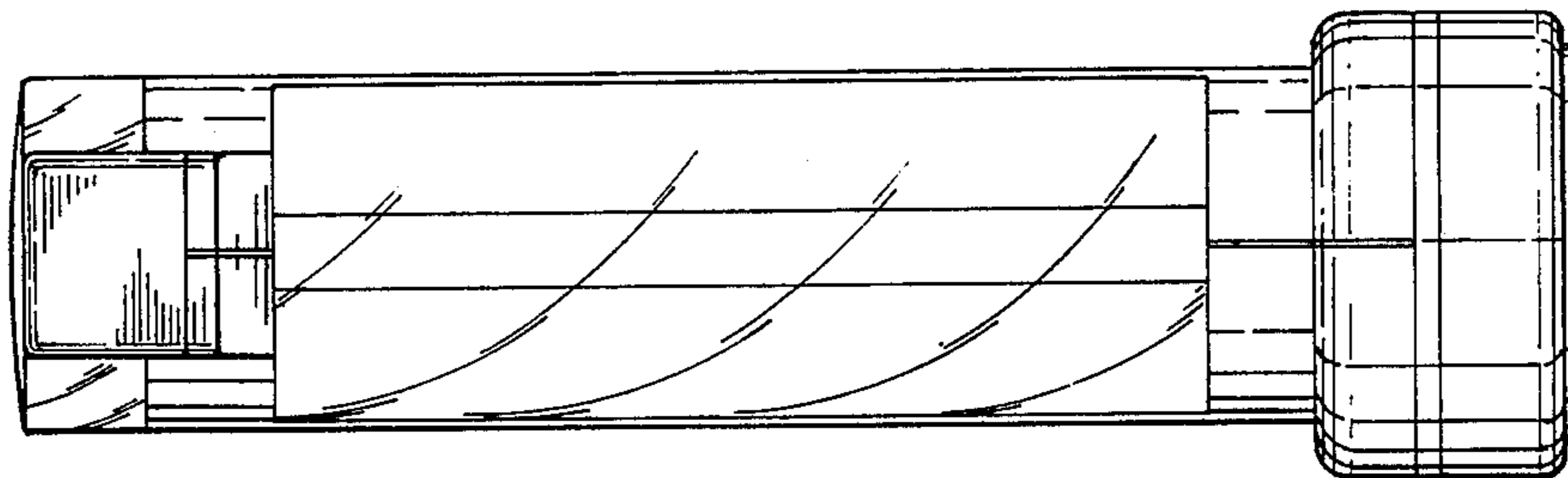


FIG. 4.

