

United States Patent [19]

Wan

[11] Patent Number: Des. 304,089

[45] Date of Patent: ** Oct. 17, 1989

[54] MULTI-FUNCTION LANTERN
[75] Inventor: Yiu C. A. Wan, Kowloon, Hong Kong

[73] Assignee: Fee Tat Plastic Factory Limited, Aberdeen, Hong Kong

[**] Term: 14 Years

[21] Appl. No.: 956

[22] Filed: Jan. 5, 1987

[30] Foreign Application Priority Data

Oct. 13, 1986 [GB] United Kingdom 1037337
[52] U.S. Cl. D26/42; D26/48
[58] Field of Search D26/37-50;
362/157, 158, 183-208

[56] References Cited

U.S. PATENT DOCUMENTS

D. 217,098 4/1970 Rams D26/46
D. 265,594 7/1982 Mann D26/37

D. 271,909 12/1983 Mallory D26/42
D. 272,654 2/1984 Ho D26/48

FOREIGN PATENT DOCUMENTS

2920299 11/1980 Fed. Rep. of Germany 362/157

OTHER PUBLICATIONS

Hong Kong Enterprise, 9/1985, p. 222, "Falcon" Rechargeable Lantern.

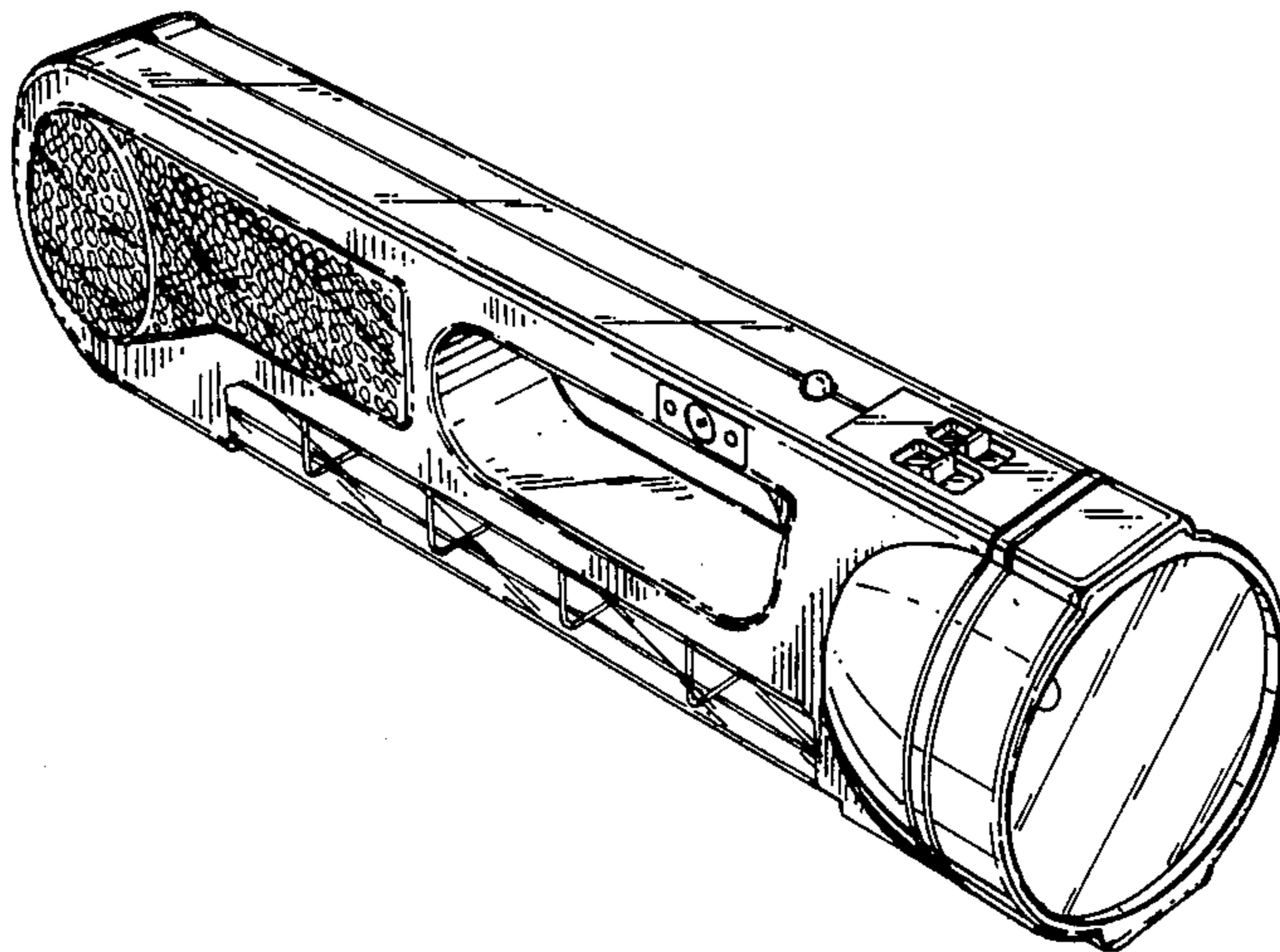
Primary Examiner—Susan J. Lucas
Attorney, Agent, or Firm—Majestic, Parsons, Siebert & Hsue

[57] CLAIM

The ornamental design for a multi-function lantern, as shown.

DESCRIPTION

FIG. 1 is a top, front, right side perspective view of a multi-function lantern showing my new design;
FIG. 2 is a left side elevational view thereof;
FIG. 3 is a bottom plan view thereof;
FIG. 4 is a rear elevational view thereof.



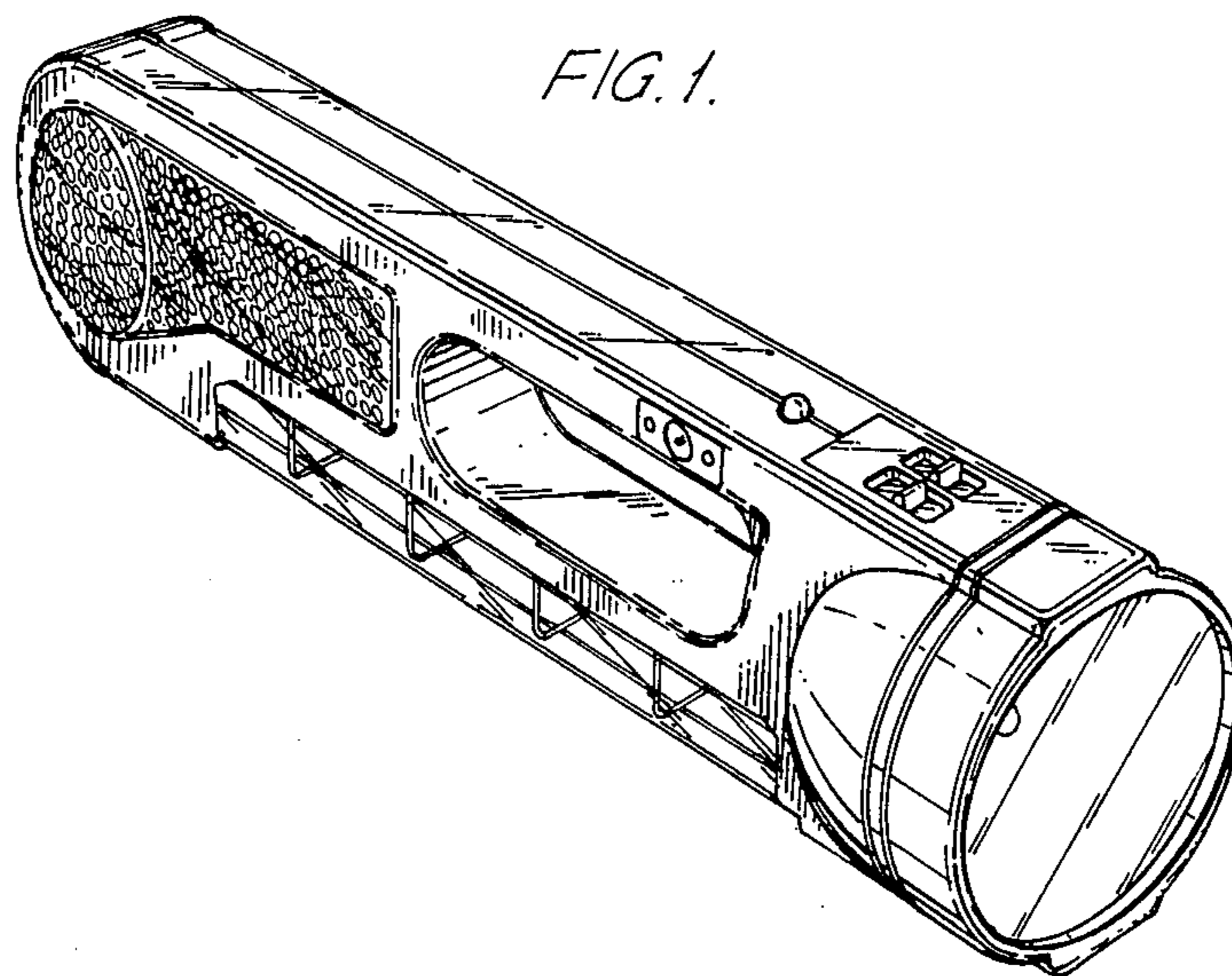


FIG. 2.

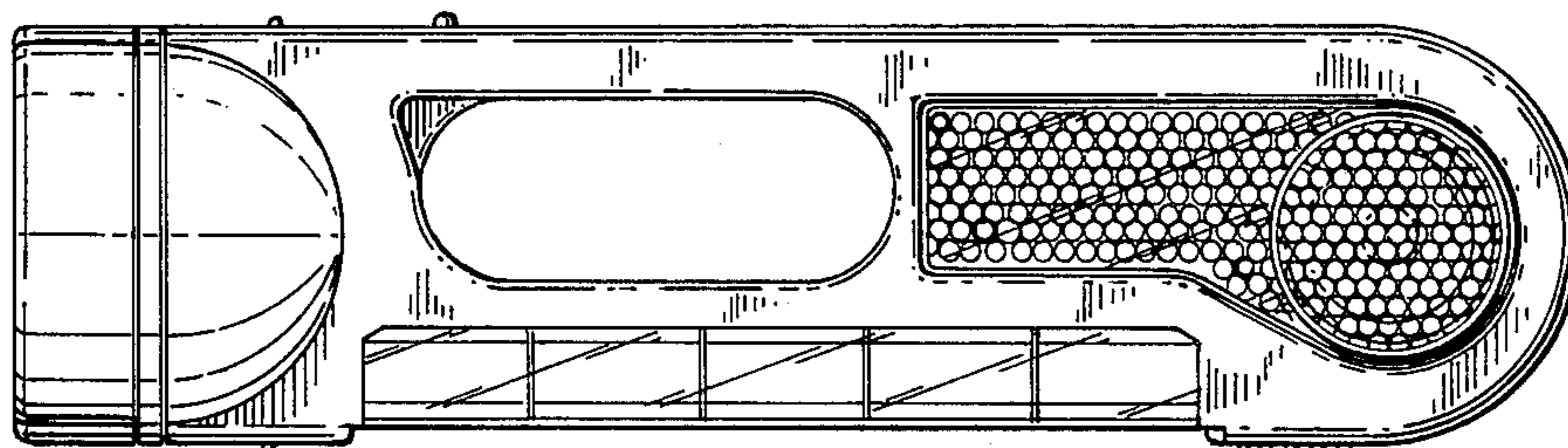


FIG. 3.

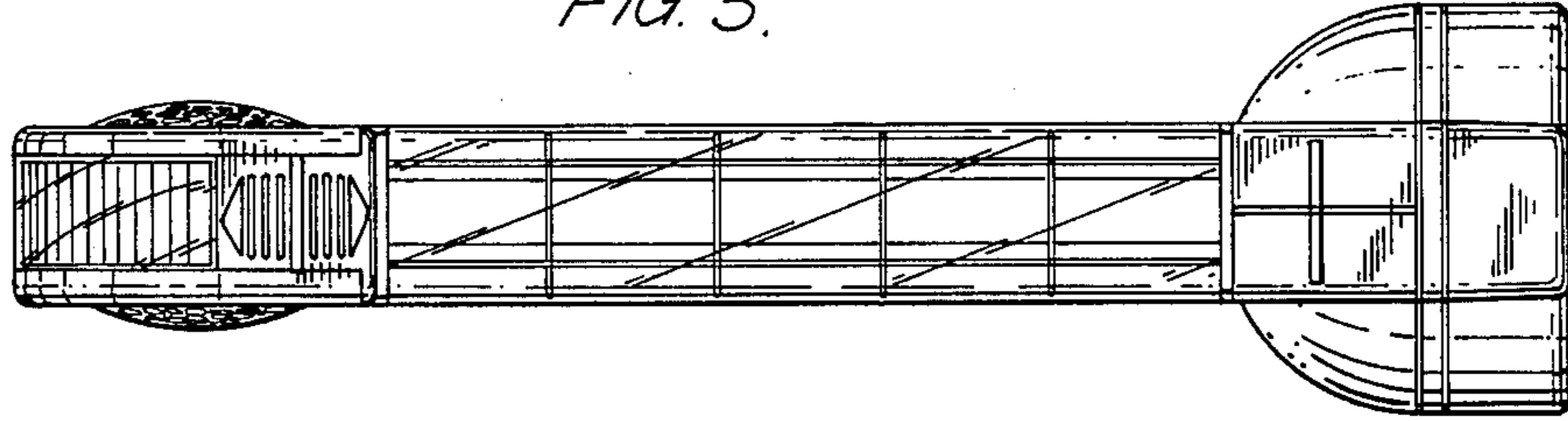


FIG. 4.

