

[54] FENCE RUNNER

[76] Inventor: Stephen R. Eads, 6113 Woodcrest Dr., Tuscaloosa, Ala. 35405

[**] Term: 14 Years

[21] Appl. No.: 99,994

[22] Filed: Sep. 23, 1987

[52] U.S. Cl. D8/1; D25/119

[58] Field of Search D25/38, 39, 41, 43, D25/44, 119, 121, 133, 136, 164; D8/1; 256/1, 32; 47/46, 33

[56] References Cited

U.S. PATENT DOCUMENTS

3,515,373	6/1970	Abbe	256/1
3,806,096	4/1974	Eccleston et al.	256/1
3,945,747	3/1976	Cruz	256/32

Primary Examiner—A. Hugo Word

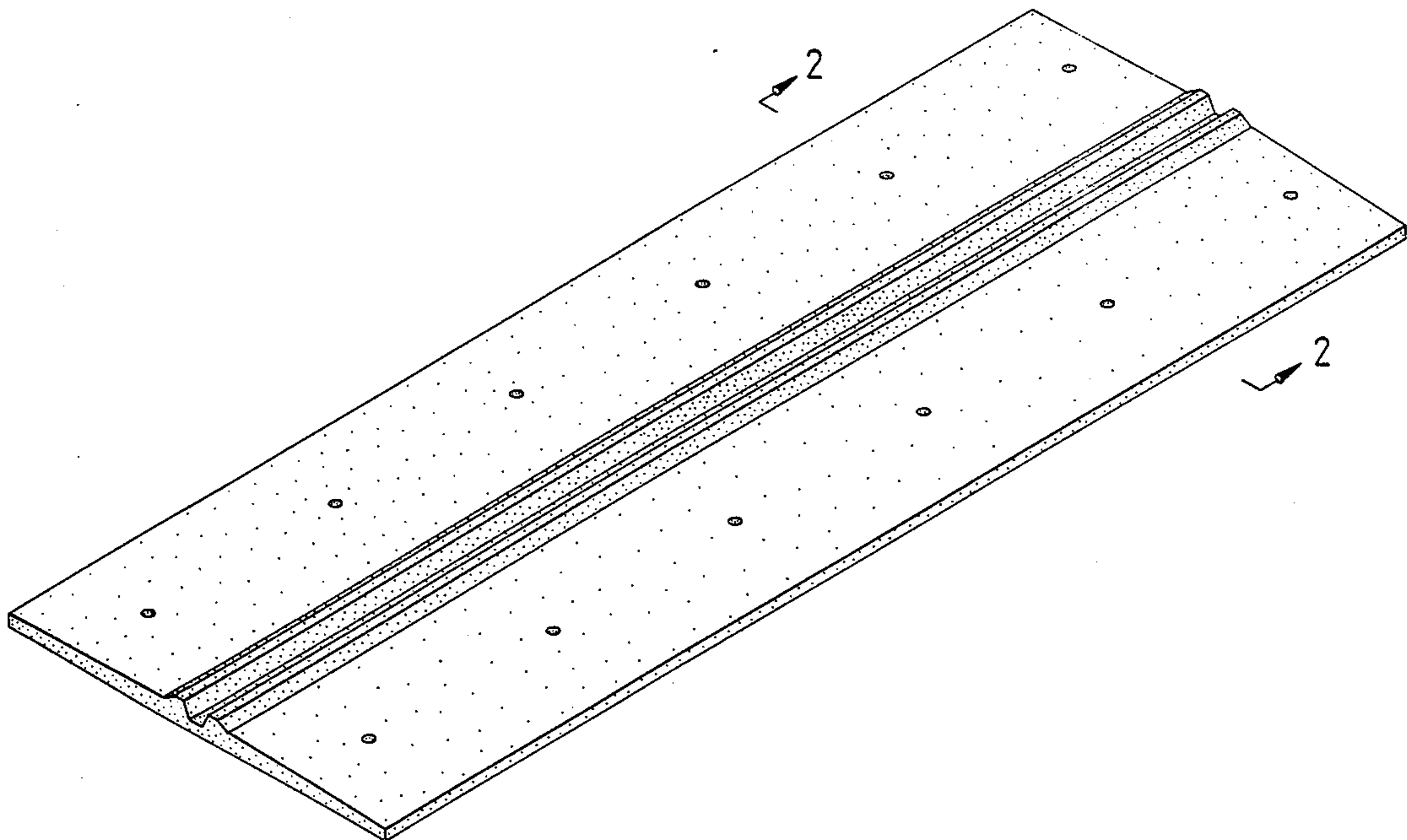
Assistant Examiner—Doris Clark
Attorney, Agent, or Firm—Jennings, Carter, Thompson & Veal

[57] CLAIM

The ornamental design for a fence runner, as shown and described.

DESCRIPTION

FIG. 1 is a perspective view of a fence runner showing my new design;
FIG. 2 is a sectional view taken along line 2—2 of FIG. 1 and drawn to a larger scale;
FIG. 3 is a top plan view of a portion of the fence runner shown in FIG. 1;
FIG. 4 is a bottom plan view of a portion of the fence runner shown in FIG. 1; and,
FIG. 5 is a side elevational view of a portion of the fence runner shown in FIG. 1, the opposite side being a mirror image thereof.



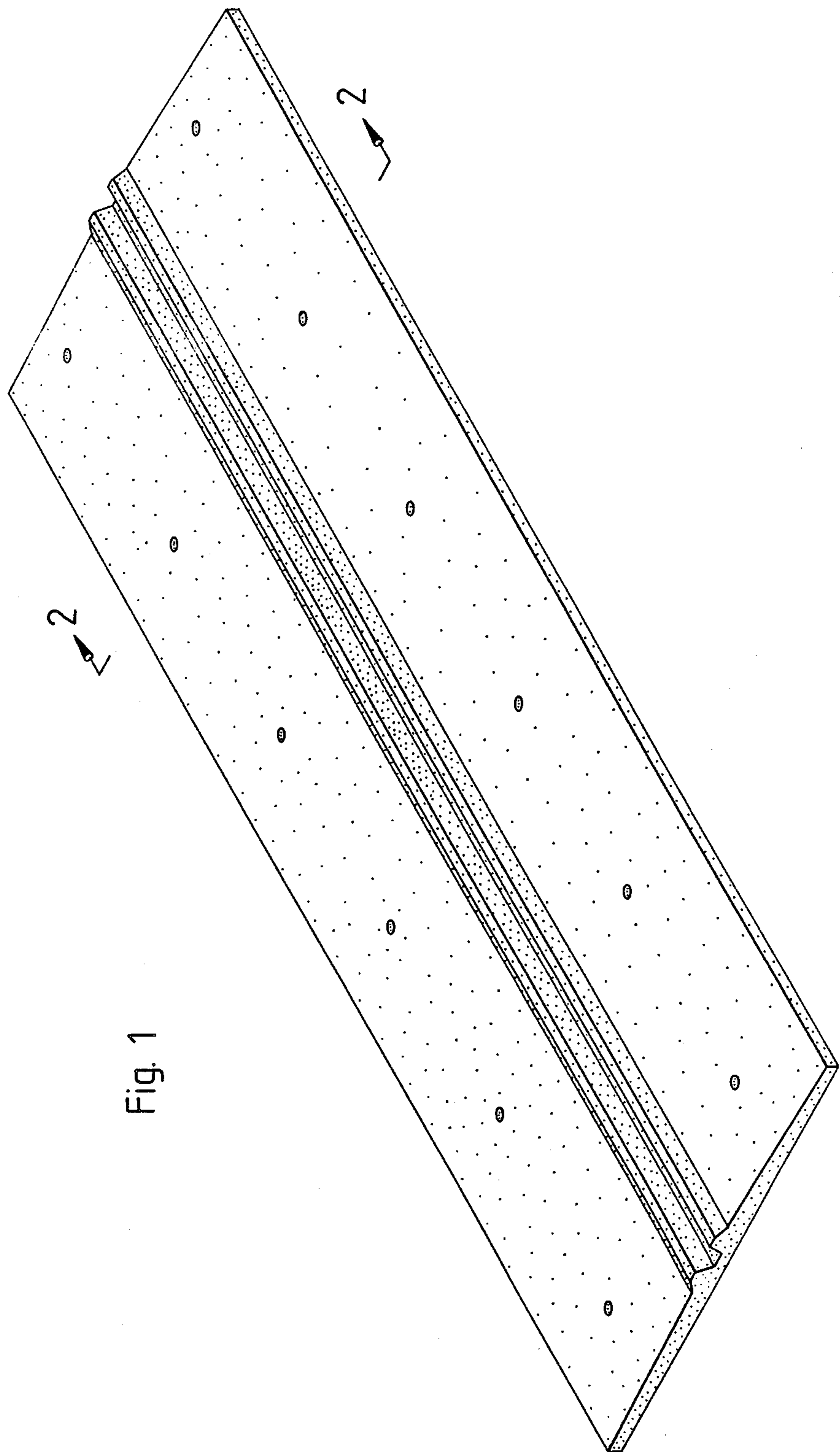


Fig. 1

Fig. 2



Fig. 3

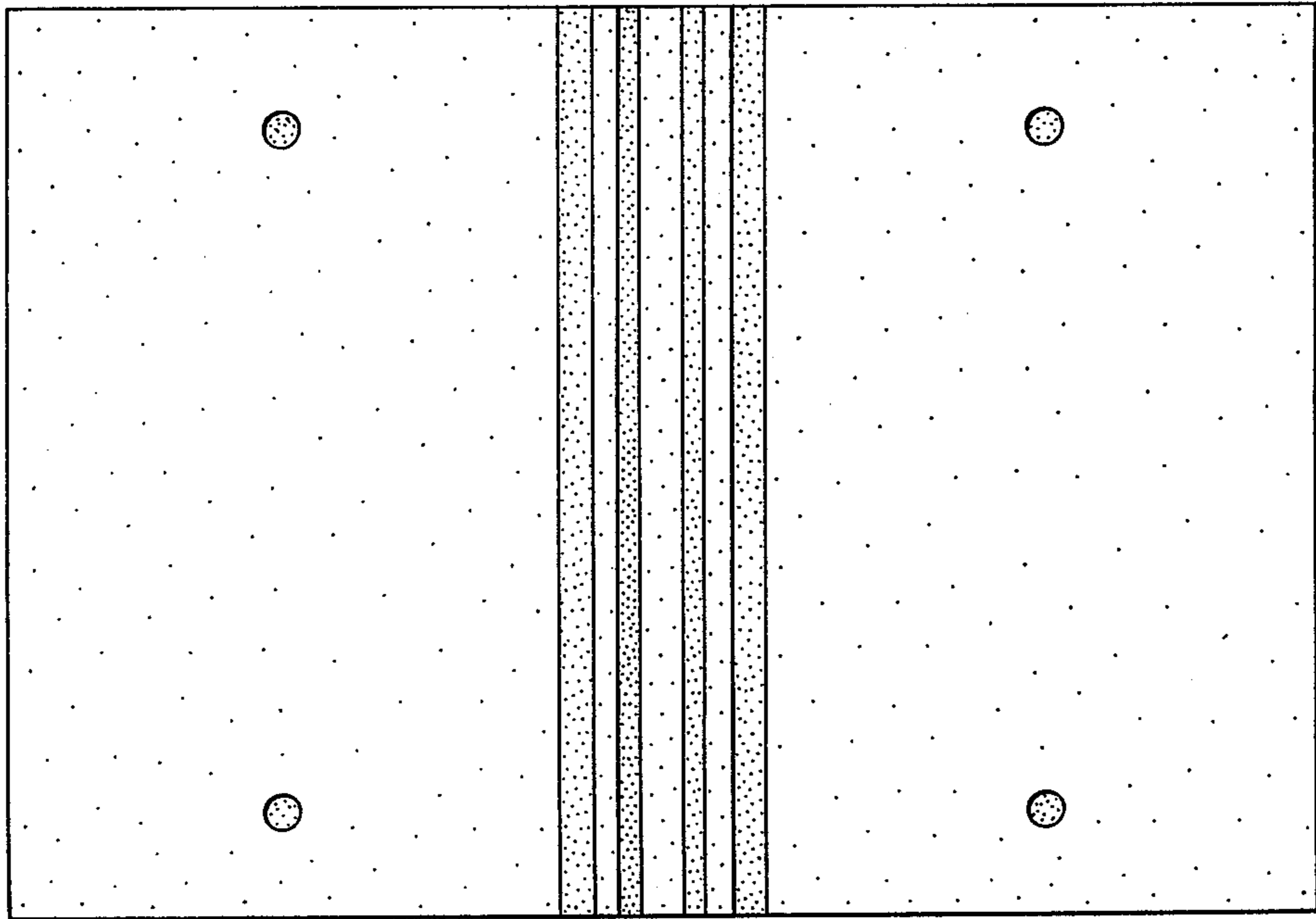


Fig. 4

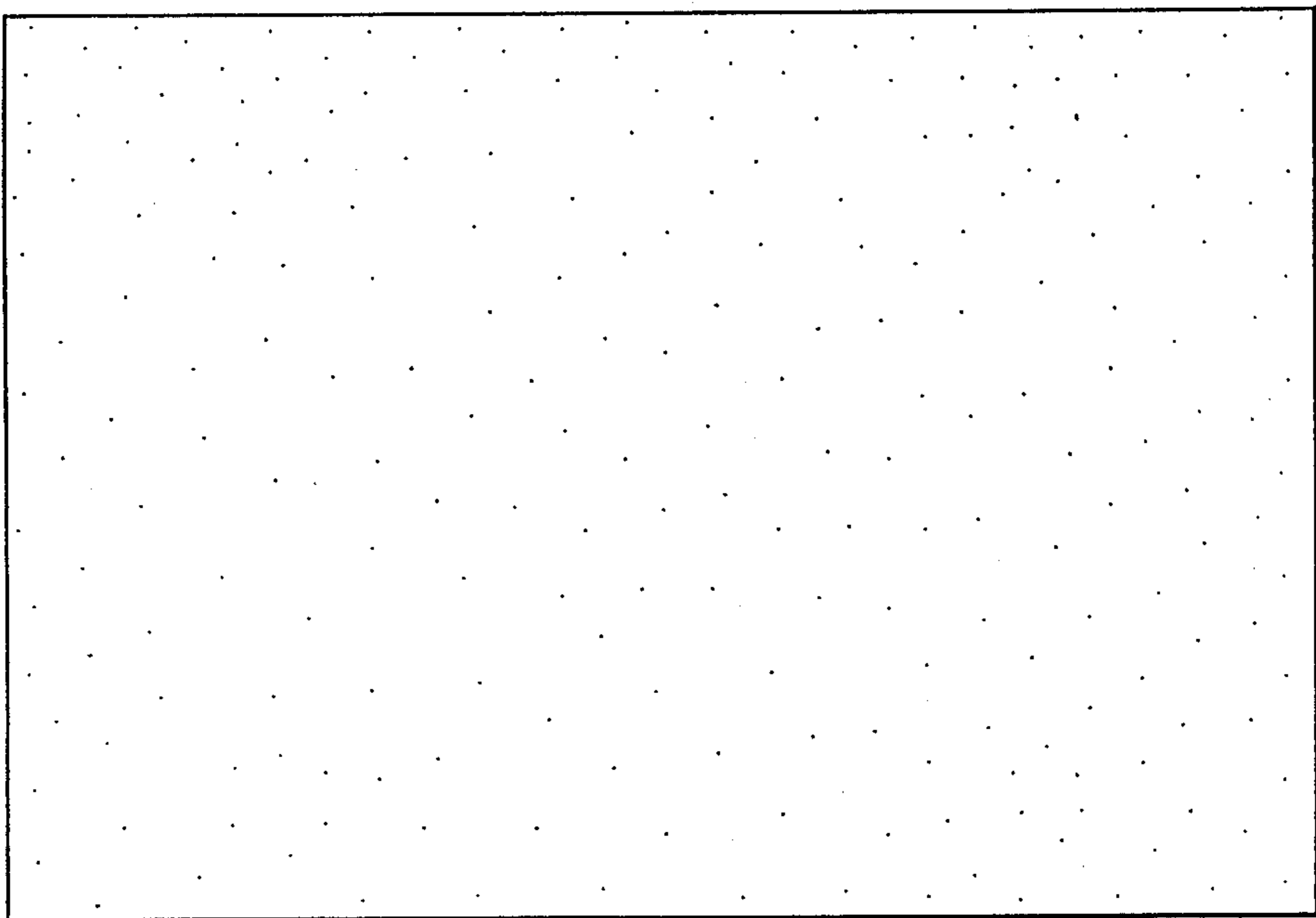


Fig. 5

