

[54] BAND SHELL

[75] Inventor: James F. Jenné, Palos Verdes Estates, Calif.

[73] Assignee: Wenger Corporation, Owatonna, Minn.

[**] Term: 14 Years

[21] Appl. No.: 14,527

[22] Filed: Feb. 13, 1987

[52] U.S. Cl. D25/58; D25/35; D25/56

[58] Field of Search D25/35, 58, 52, 56, D25/138, 1, 16; 160/135, 351; 52/6

[56] References Cited

U.S. PATENT DOCUMENTS

3,258,884	7/1966	Wenger	52/6
4,241,777	12/1980	Wenger et al.	D25/58 X
4,332,113	6/1982	Moore	52/6

FOREIGN PATENT DOCUMENTS

57838 1/1987 Canada .

Primary Examiner—A. Hugo Word
Attorney, Agent, or Firm—Dorsey & Whitney

[57] CLAIM

The ornamental design for a band shell, as shown and described.

DESCRIPTION

FIG. 1 is a perspective view of a band shell in accordance with the invention, as seen from slightly below and to the right of the front of the band shell, the view from slightly below and to the left of the front of the band shell being a mirror image thereof;

FIG. 2 is a perspective view of the band shell depicted in FIG. 1 as seen from slightly above and to the right of the rear of the band shell, the view from slightly above and to the left of the rear of the band shell being a mirror image thereof;

FIG. 3 is a perspective view of a second embodiment of the band shell in accordance with the present invention,

as seen from slightly below and to the right of the front of the band shell, the view from slightly below and to the left of the front of the band shell being a mirror image thereof;

FIG. 4 is a perspective view of the band shell depicted in FIG. 3 as seen from slightly above and to the right of the rear of the band shell, the view from slightly above and to the left of the rear of the band shell being a mirror image thereof;

FIG. 5 is a perspective view of a third embodiment of the band shell in accordance with the present invention, as seen from slightly below and to the right of the front of the band shell, the view from slightly below and to the left of the front of the band shell being a mirror image thereof;

FIG. 6 is a perspective view of the band shell depicted in FIG. 5 as seen from slightly above and to the right of the rear of the band shell, the view from slightly above and to the left of the rear of the band shell being a mirror image thereof;

FIG. 7 is a perspective view of a fourth embodiment of the band shell in accordance with the present invention, as seen from slightly below and to the right of the front of the band shell, the view from slightly below and to the left of the front of the band shell being a mirror image thereof;

FIG. 8 is a perspective view of the band shell depicted in FIG. 7 as seen from slightly above and to the right of the rear of the band shell, the view from slightly above and to the left of the rear of the band shell being a mirror image thereof;

FIG. 9 is a perspective view of a fifth embodiment of the band shell in accordance with the present invention, as seen from slightly below and to the right of the front of the band shell, the view from slightly below and to the left of the front of the band shell being a mirror image thereof; and

FIG. 10 is a perspective view of the band shell depicted in FIG. 9 as seen from slightly above and to the right of the rear of the band shell, the view from slightly above and to the left of the rear of the band shell being a mirror image thereof.

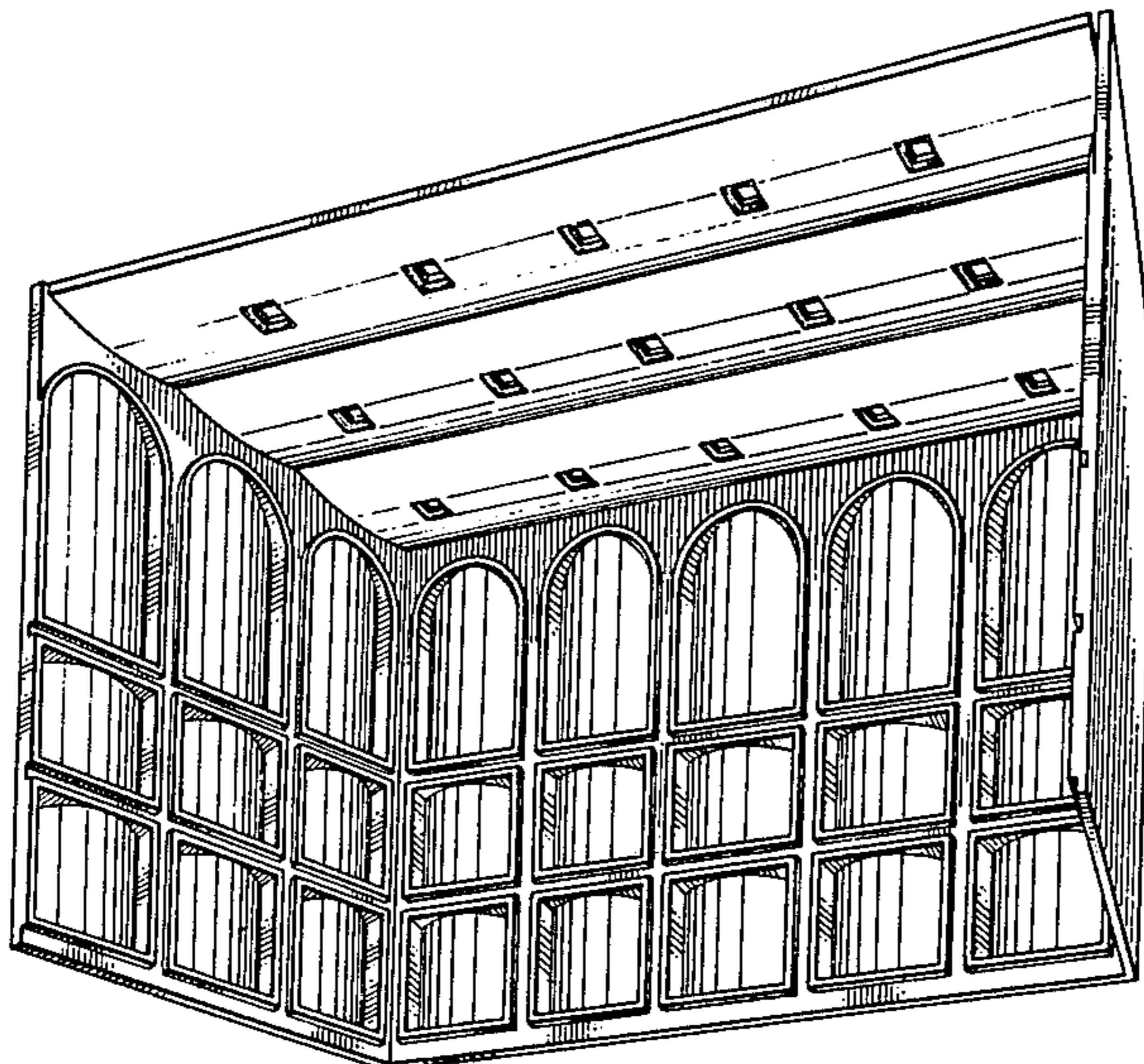


Fig. 1

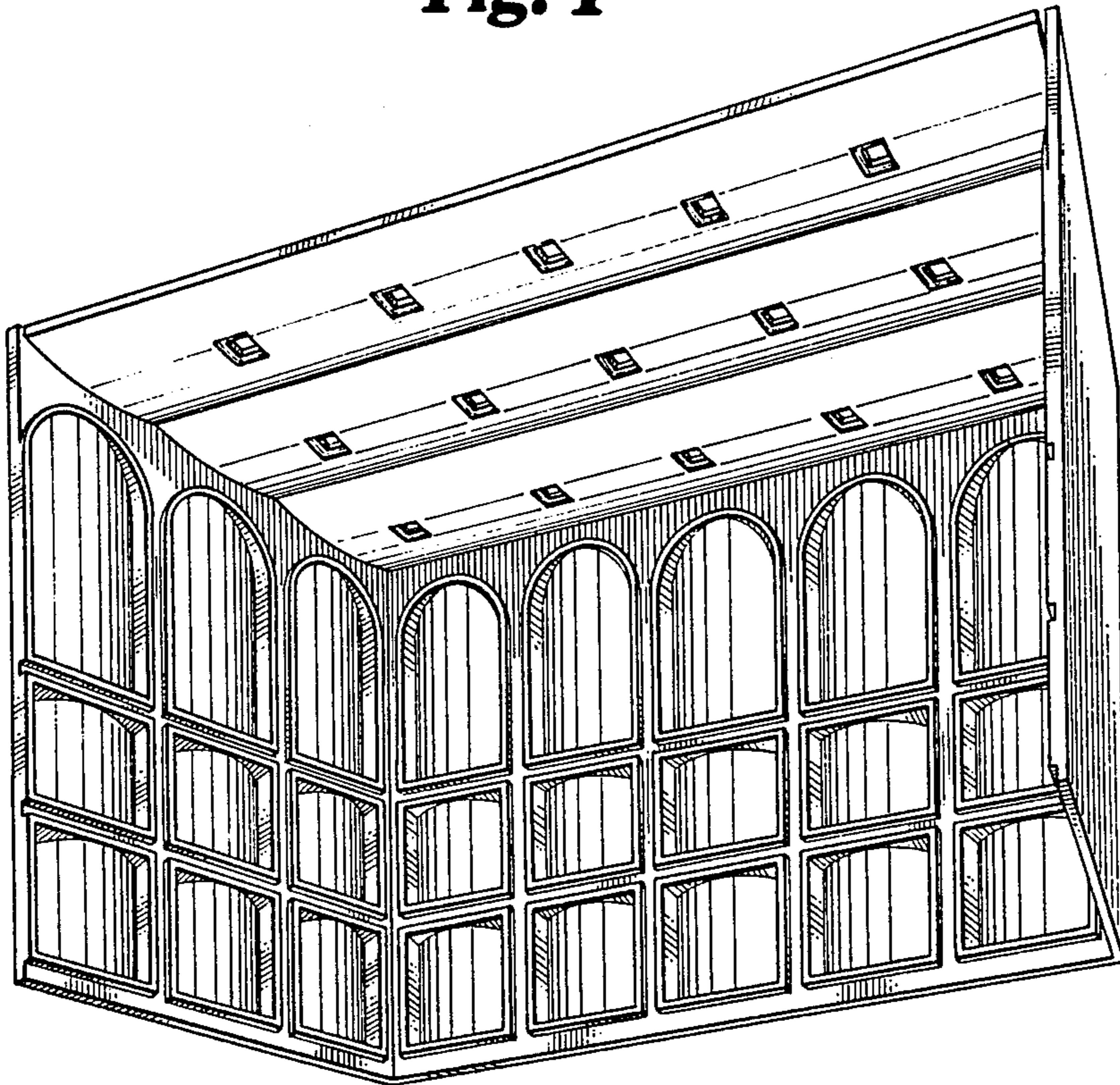


Fig. 2

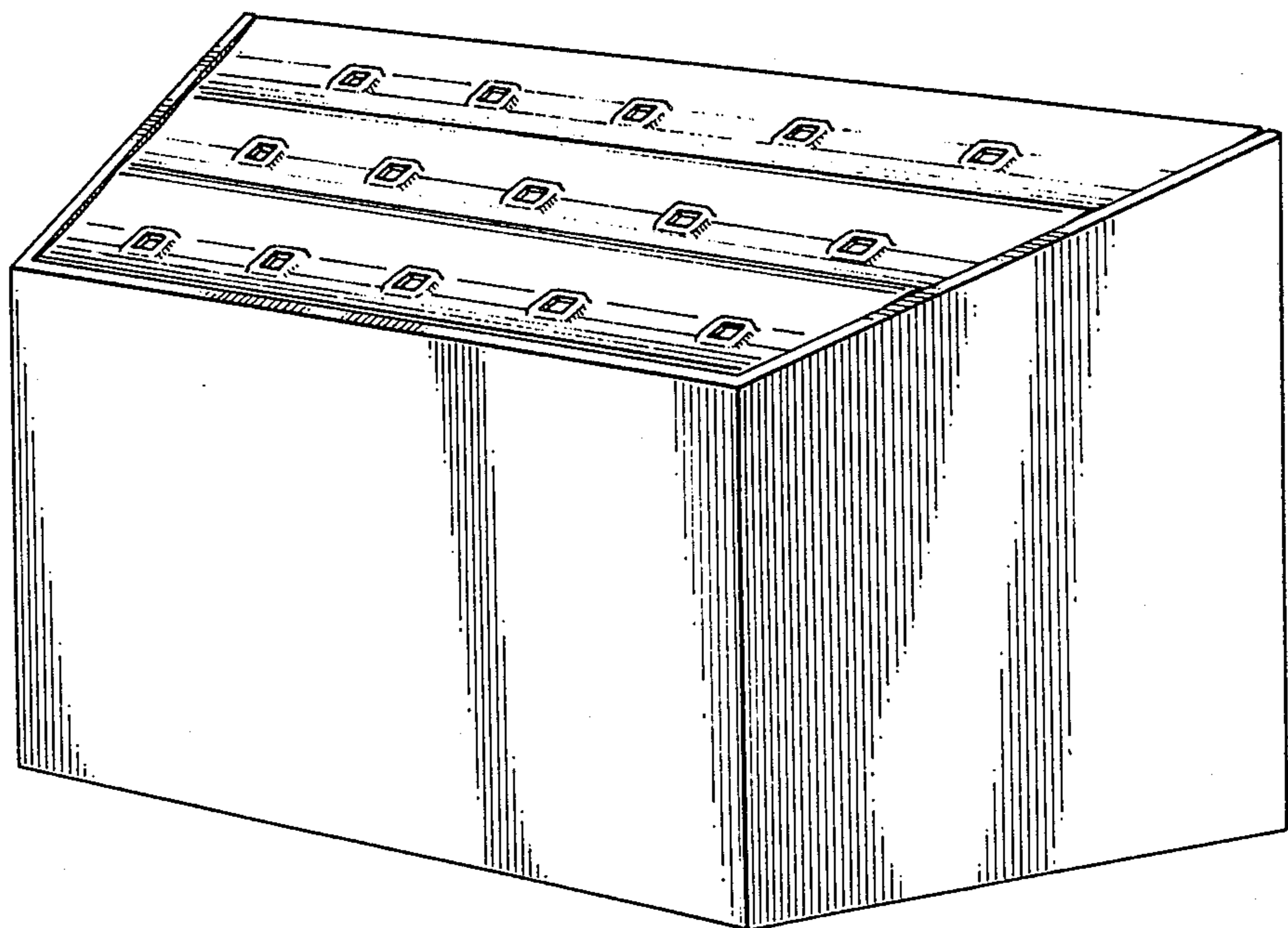


Fig. 3

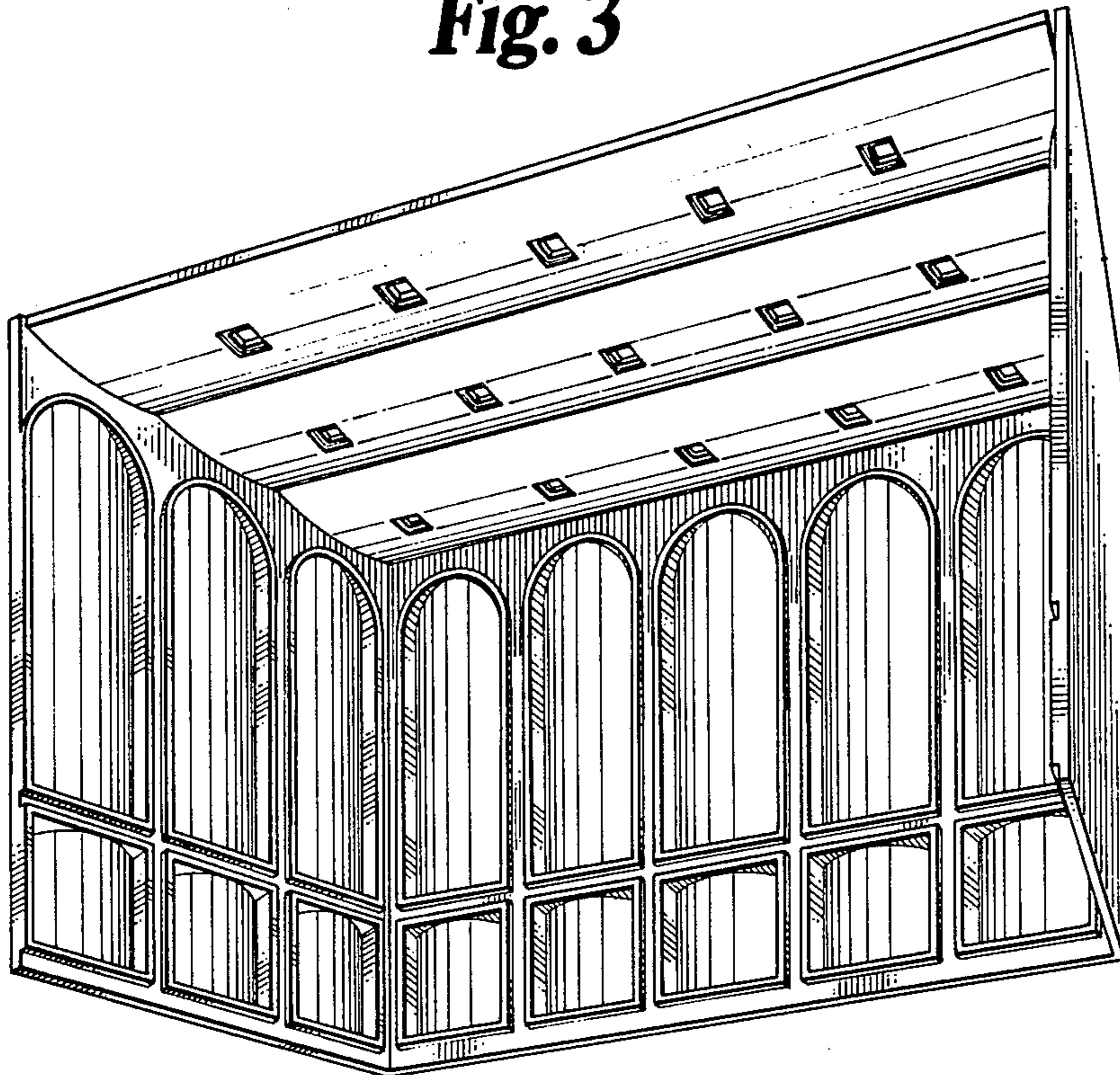


Fig. 4

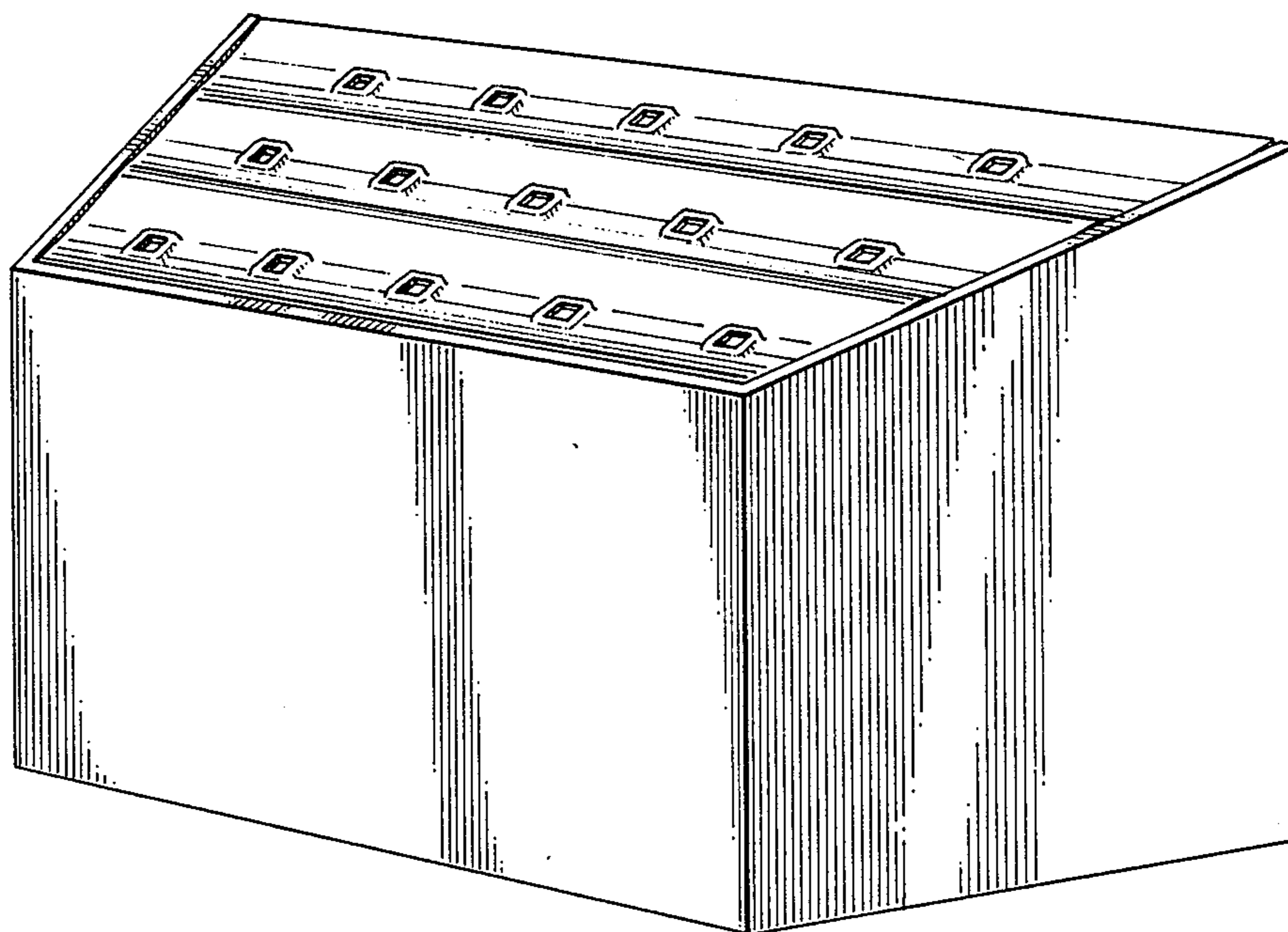


Fig. 5

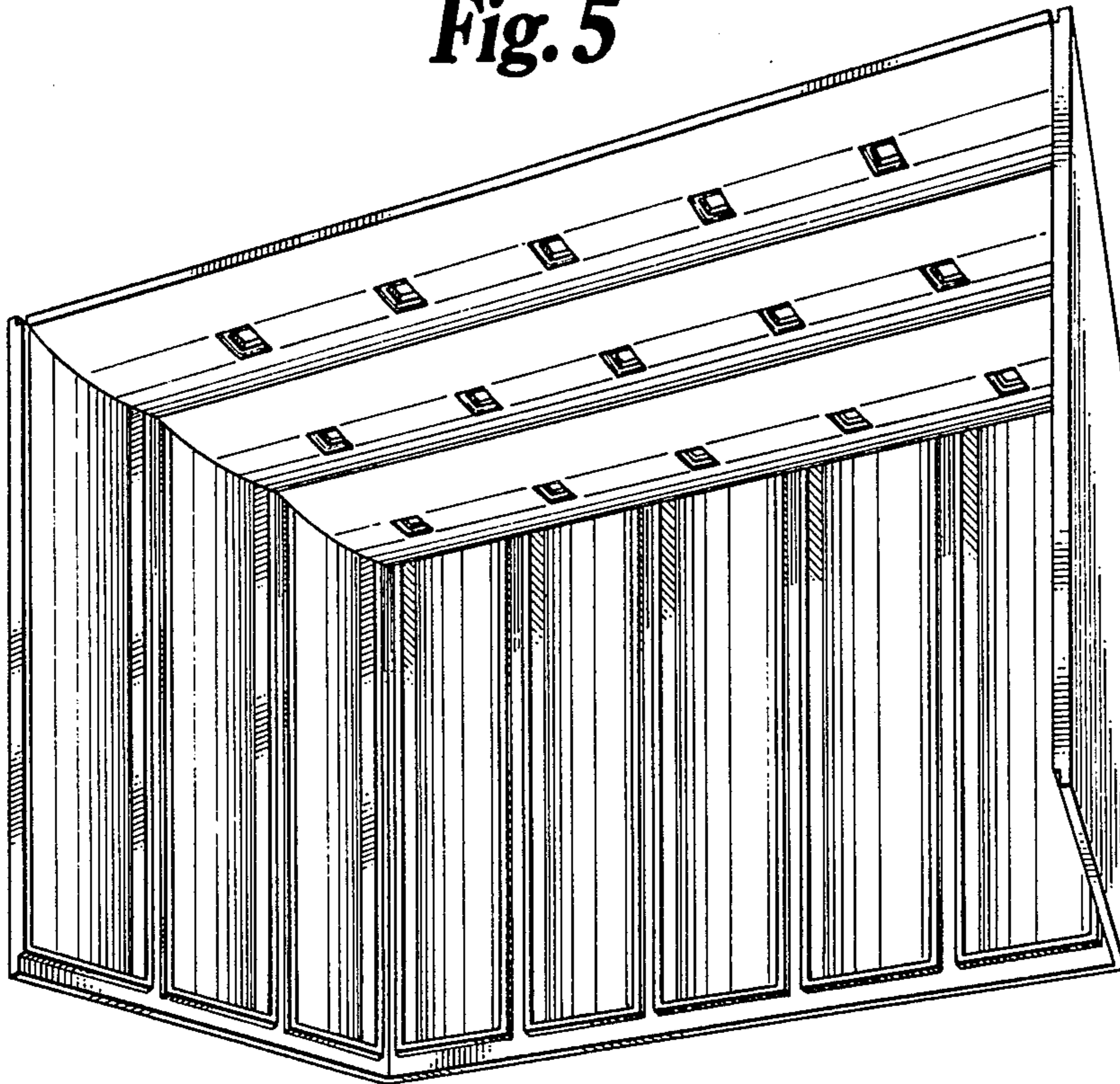


Fig. 6

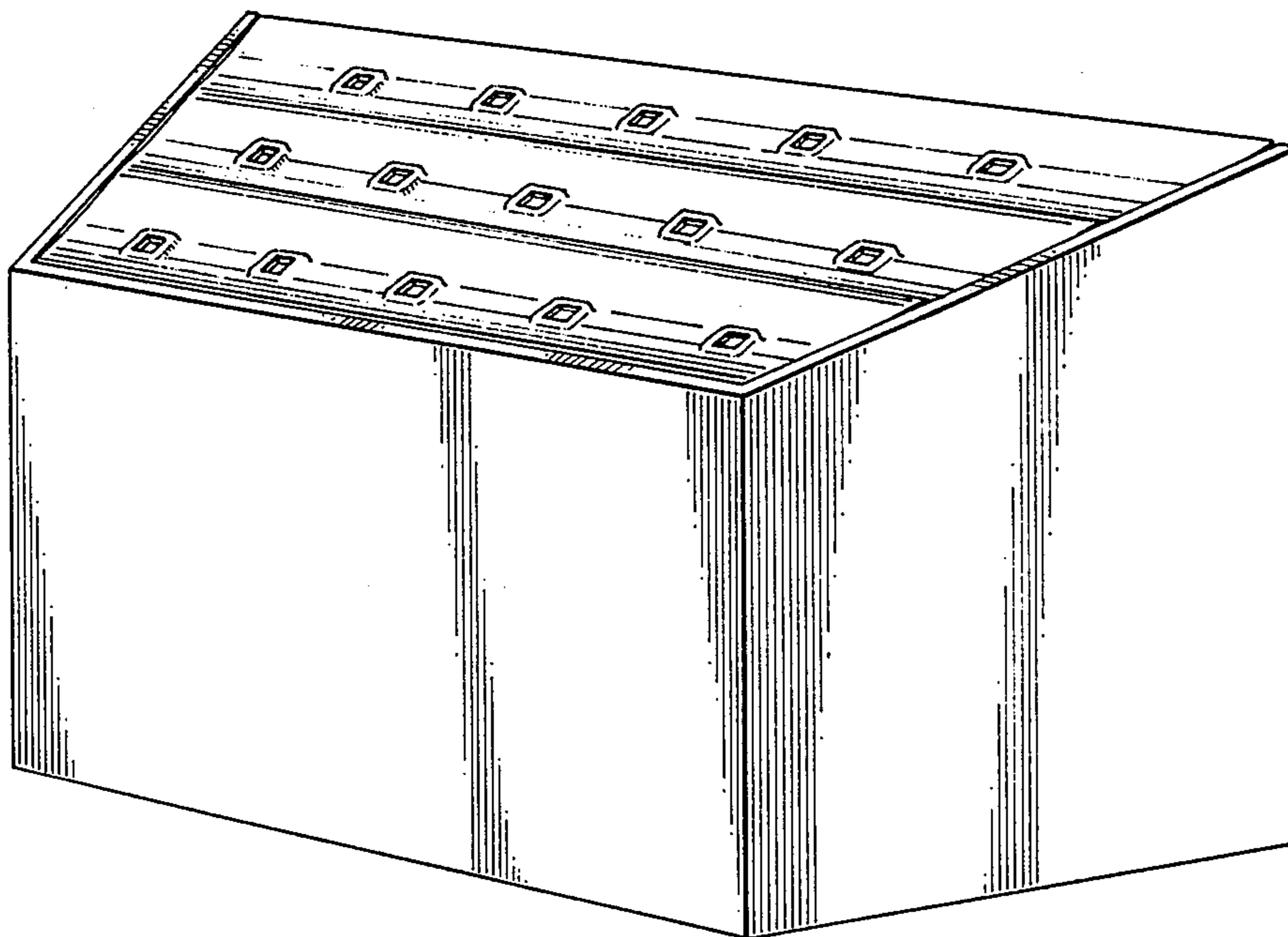


Fig. 7

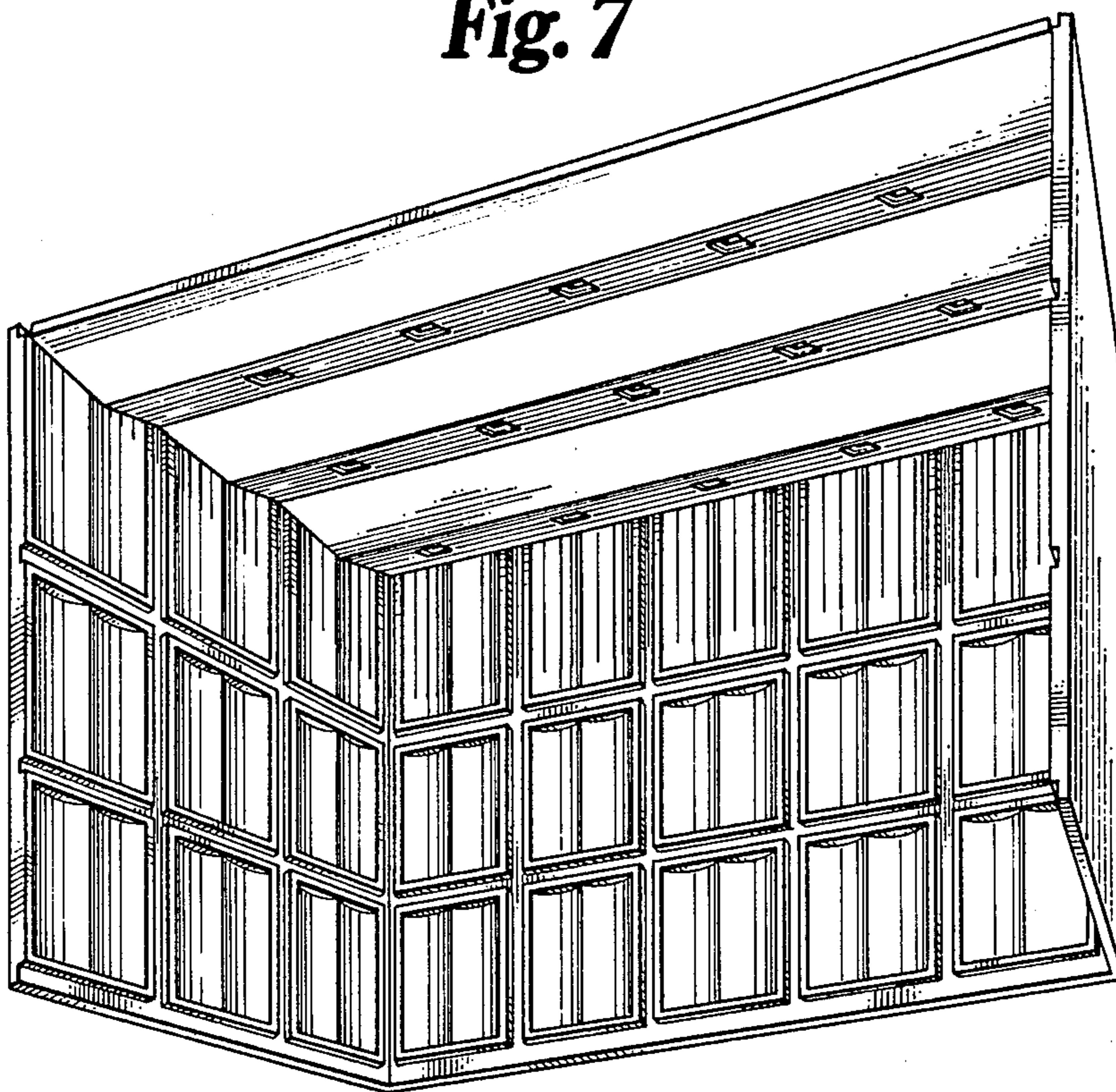


Fig. 8

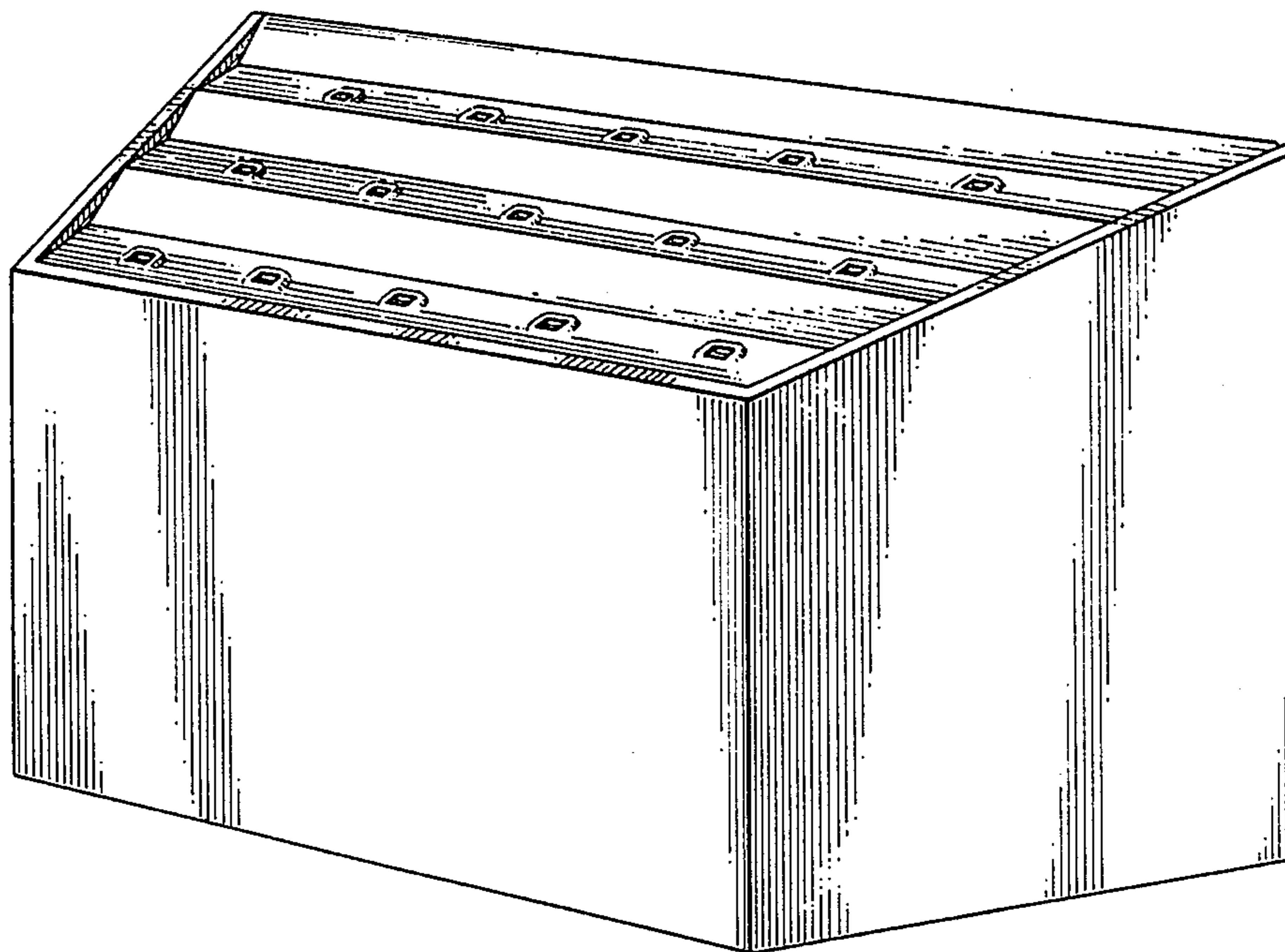


Fig. 9

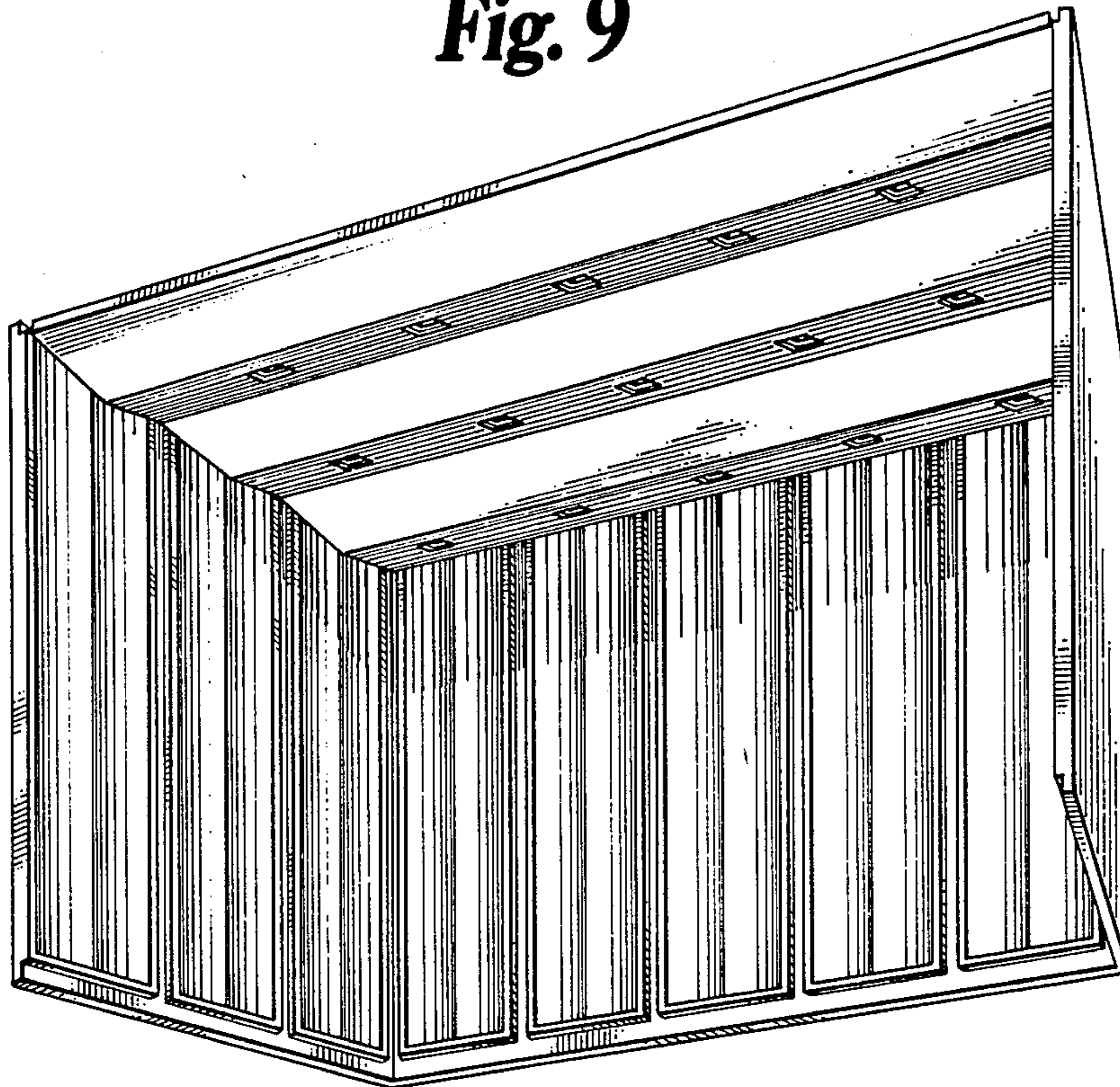


Fig. 10

