

**United States Patent** [19]  
**Harding**

[11] **Patent Number: Des. 304,082**

[45] **Date of Patent: \*\* Oct. 17, 1989**

[54] **OUTDOOR TOILET CABANA**

[75] **Inventor: George W. Harding, Clearwater, Fla.**

[73] **Assignee: Poly-John Enterprises Corp.,  
Whiting, Ind.**

[\*\*] **Term: 14 Years**

[21] **Appl. No.: 12,676**

[22] **Filed: Feb. 9, 1987**

[52] **U.S. Cl. .... D25/16**

[58] **Field of Search ..... D25/1, 16; 4/460, 449,  
4/462, 463, 459; 52/282, 285; D23/275, 299**

[56] **References Cited**

**U.S. PATENT DOCUMENTS**

D. 210,008 1/1968 Thompson ..... D25/16

D. 248,775 8/1978 Brown ..... D25/16  
D. 275,520 9/1984 Harding et al. .... D25/16  
4,493,118 1/1985 Braxton ..... D25/16 X

*Primary Examiner*—A. Hugo Word  
*Attorney, Agent, or Firm*—Harness, Dickey & Pierce

[57] **CLAIM**

The ornamental design for an outdoor toilet cabana, as shown and described.

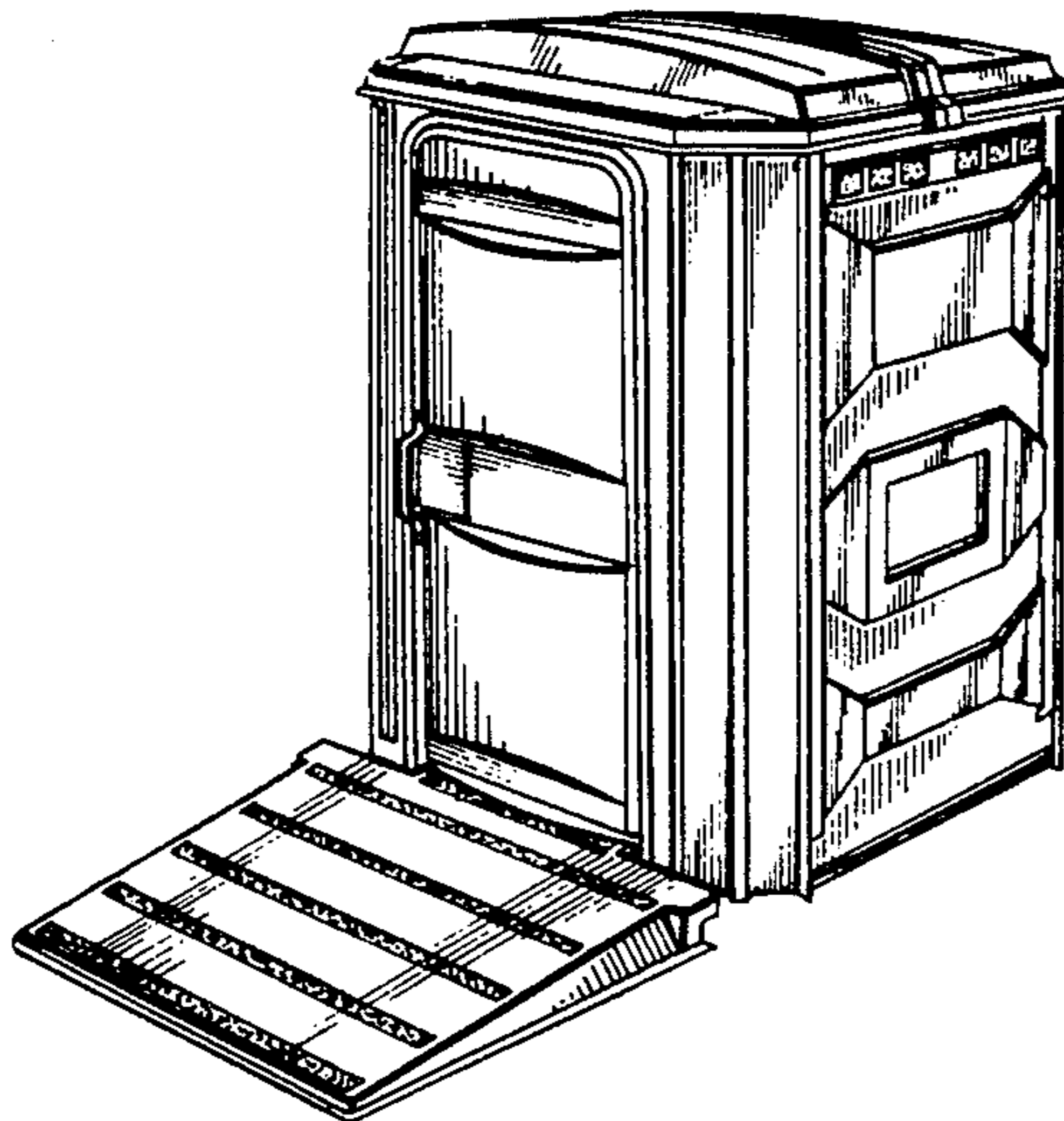
**DESCRIPTION**

FIG. 1 is a perspective, left side and front view showing my design, with the right side and front view being a mirror image thereof.

FIG. 2 is an enlarged front and right side perspective view thereof.

FIG. 3 is a rear and left side perspective view thereof.

FIG. 4 is a top, plan view thereof.



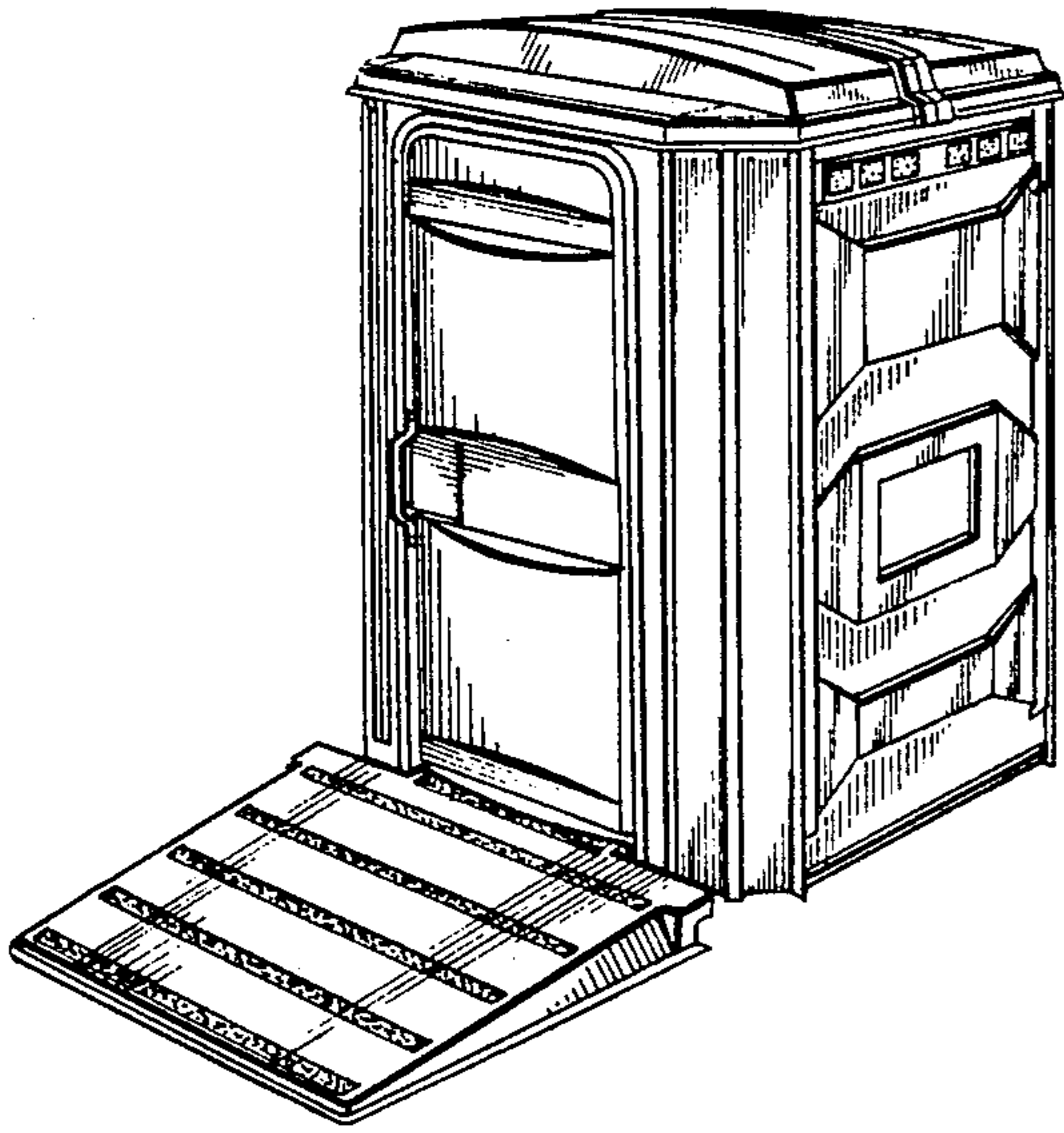


Fig-1

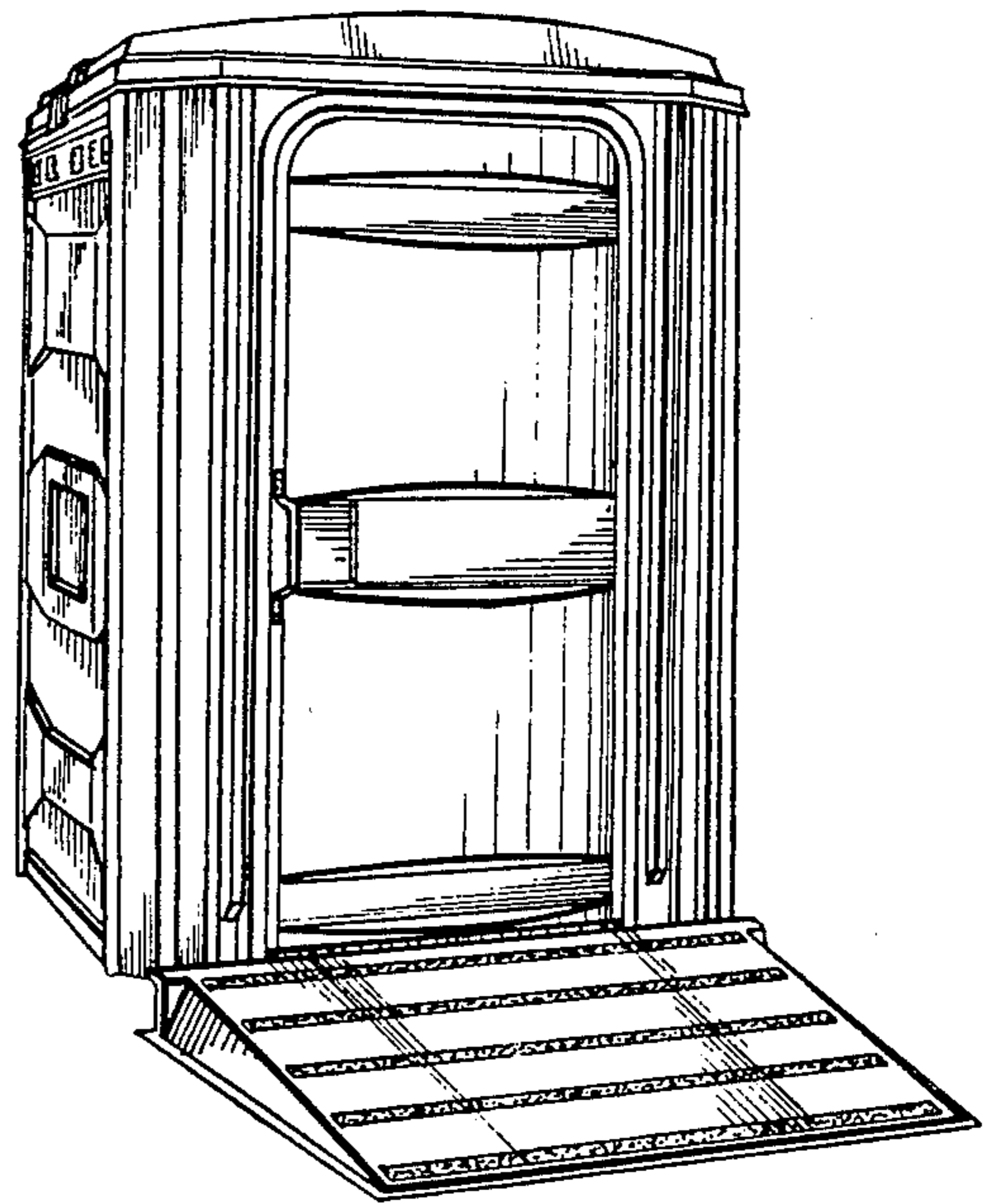


Fig-2

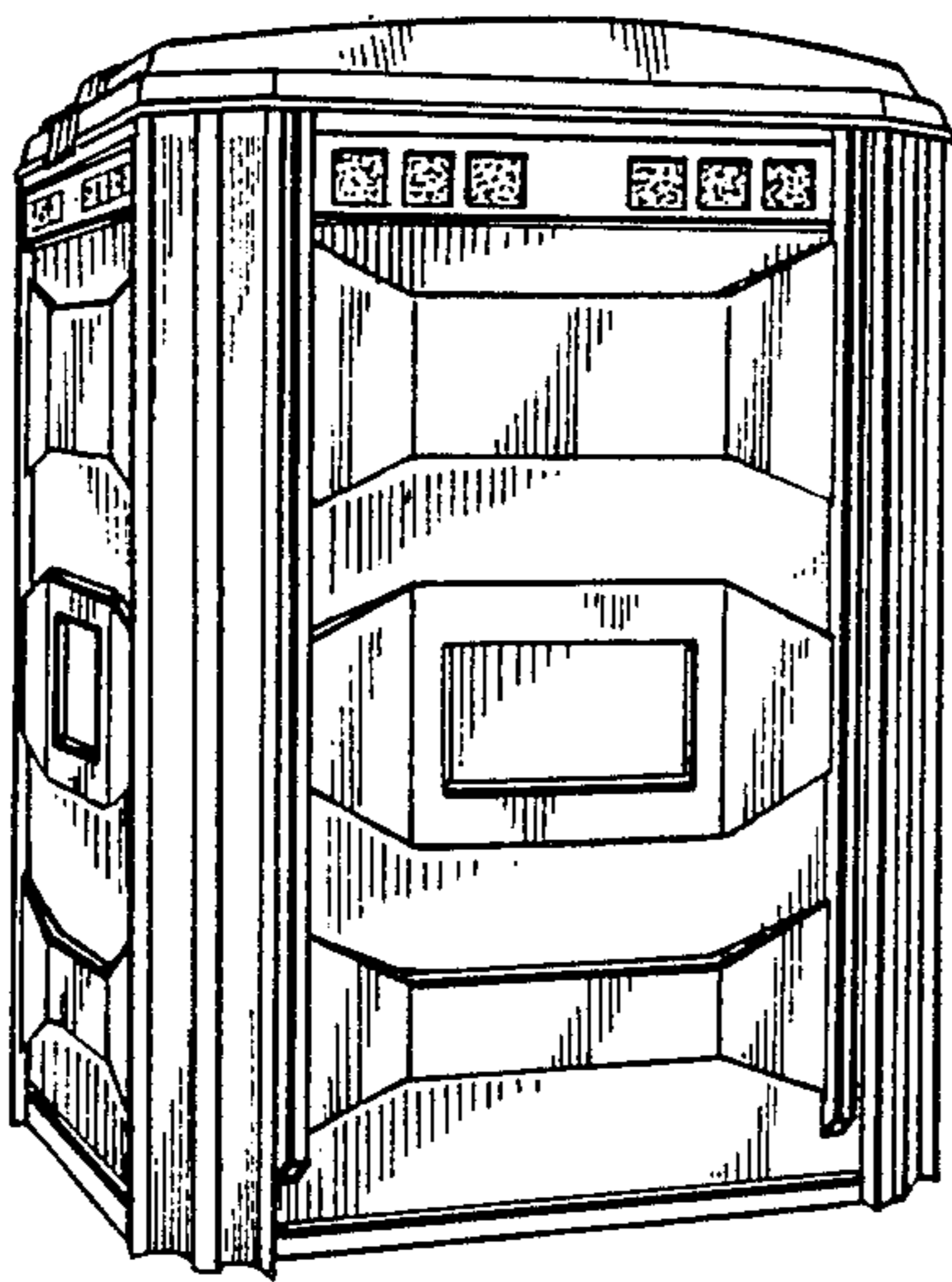


Fig-3

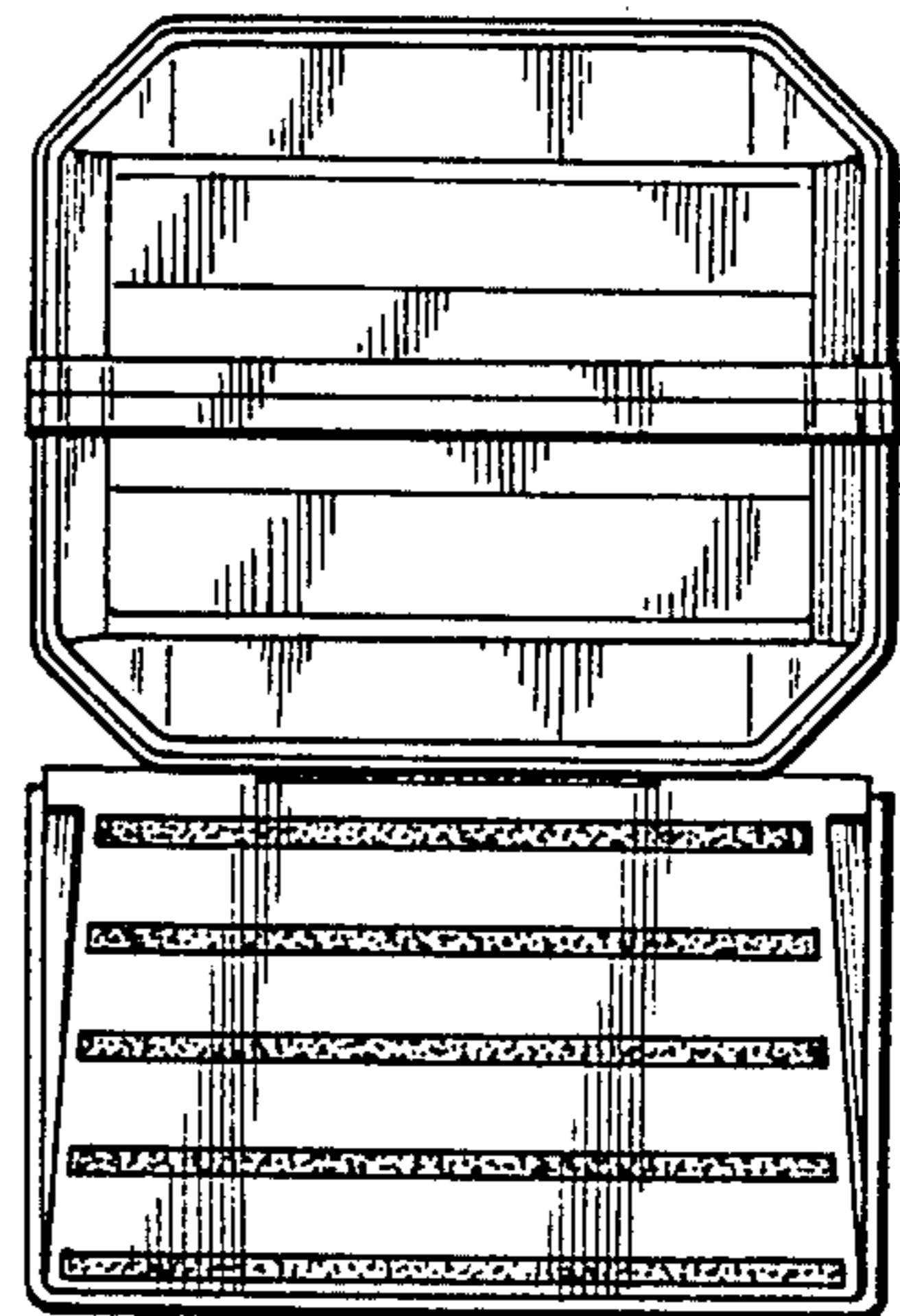


Fig-4