

[54] ORTHODONTIC BRACKET

[75] Inventor: Jirina V. Pospisil, Monrovia, Calif.

[73] Assignee: Minnesota Mining and Manufacturing Company, St. Paul, Minn.

[**] Term: 14 Years

[21] Appl. No.: 21,868

[22] Filed: Mar. 4, 1987

[52] U.S. Cl. D24/16

[58] Field of Search D24/10, 16; 433/8-17

[56] References Cited

U.S. PATENT DOCUMENTS

D. 289,329	4/1987	Evans	D24/16
D. 290,040	5/1987	Kelly	D24/16
D. 291,919	9/1987	Reynolds	D24/10
3,303,565	2/1967	Newman	D24/10 X
3,391,461	7/1968	Johnson	D24/10 X
4,322,206	3/1982	Reynolds	433/9
4,487,581	12/1984	Adler	433/16

Primary Examiner—Wallace R. Burke

Assistant Examiner—Brian N. Vinson

Attorney, Agent, or Firm—Donald M. Sell; Walter N. Kirn; James D. Christoff

[57] CLAIM

The ornamental design for an orthodontic bracket, as shown and described.

DESCRIPTION

FIG. 1 is a top, front and right side perspective view of an orthodontic bracket showing my new design;

FIG. 2 is a top, rear and left side perspective view thereof;

FIG. 3 is a top plan view thereof, the bottom being a mirror image of that shown;

FIG. 4 is a front elevational view thereof;

FIG. 5 is a right side elevational view thereof; the left side being a mirror image of that shown;

FIG. 6 is a rear elevational view thereof;

FIG. 7 is a front elevational view of a second embodiment thereof, the difference being only that the second embodiment is a mirror image of the first embodiment;

FIG. 8 is a top, front and right side perspective view of a third embodiment thereof;

FIG. 9 is a top, rear and left side perspective view of the embodiment of FIG. 8;

FIG. 10 is a top plan view of the embodiment of FIG. 8, the bottom being a mirror image of that shown;

FIG. 11 is a front elevational view of the embodiment of FIG. 8;

FIG. 12 is a rear elevational view of the embodiment of FIG. 8;

FIG. 13 is a right side elevational view of the embodiment of FIG. 8, the left side being a mirror image of that shown; and

FIG. 14 is a front elevational view of a fourth embodiment thereof, the difference being only that the fourth embodiment is a mirror image of the third embodiment.

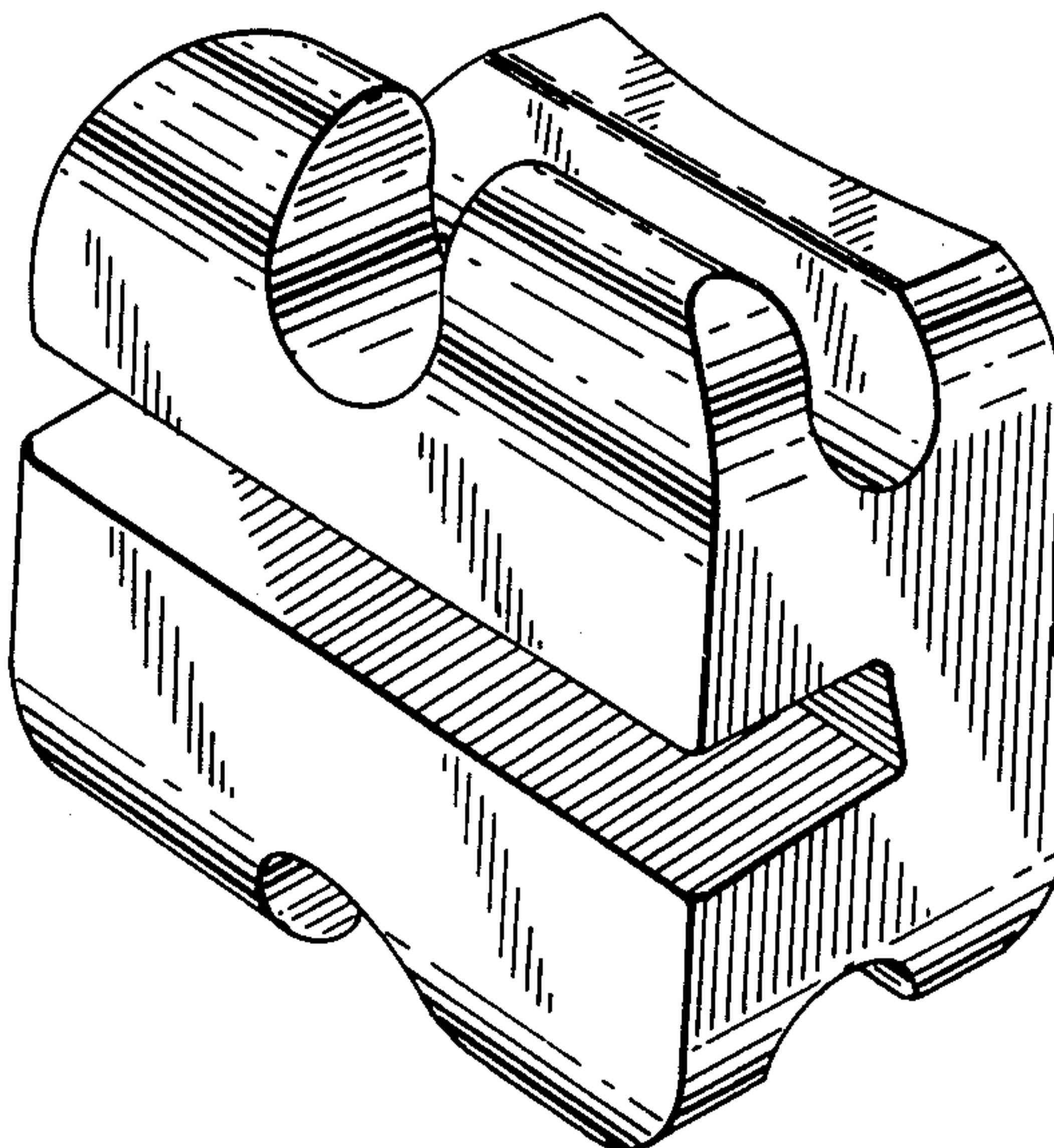
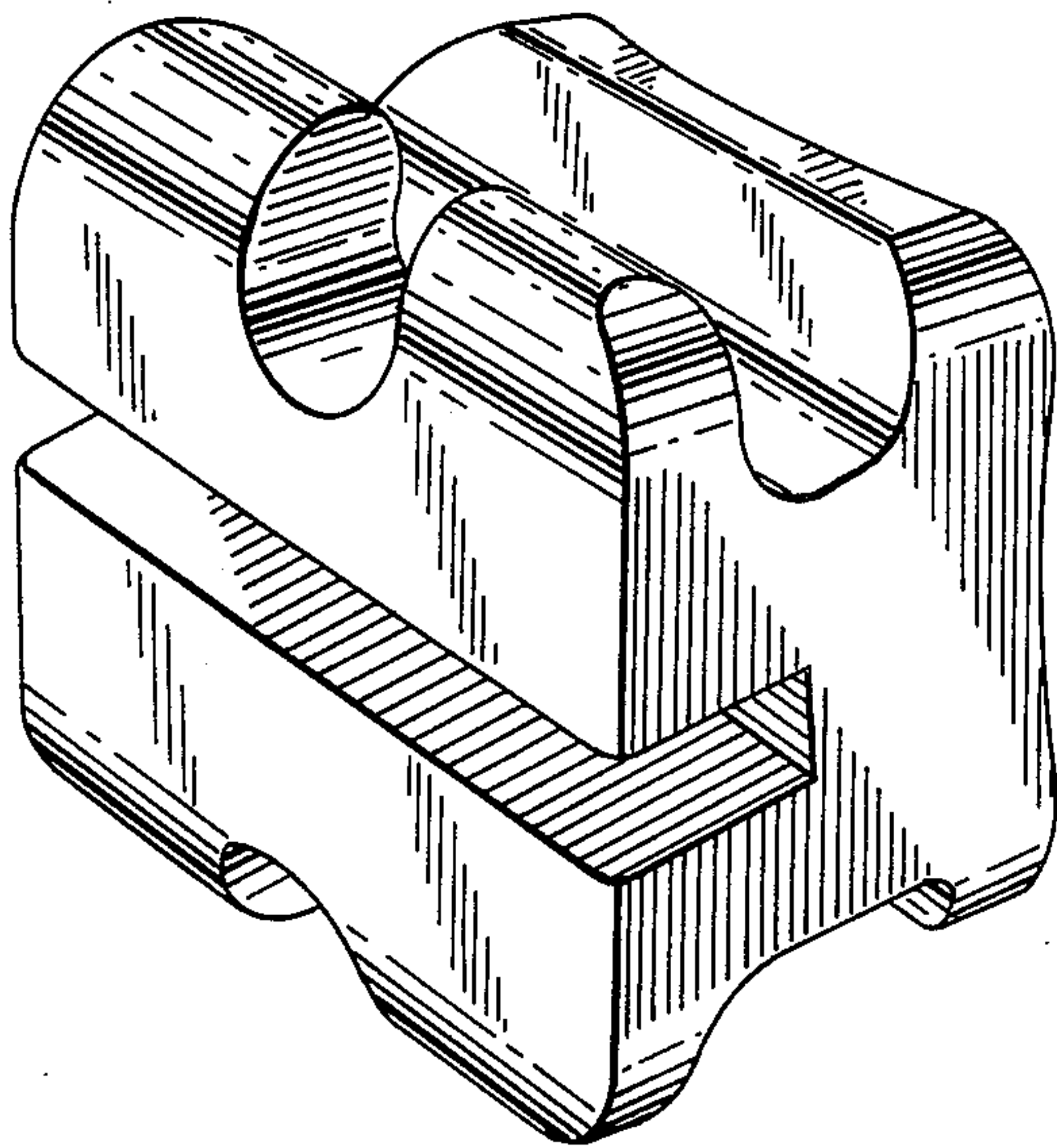


Fig. 1

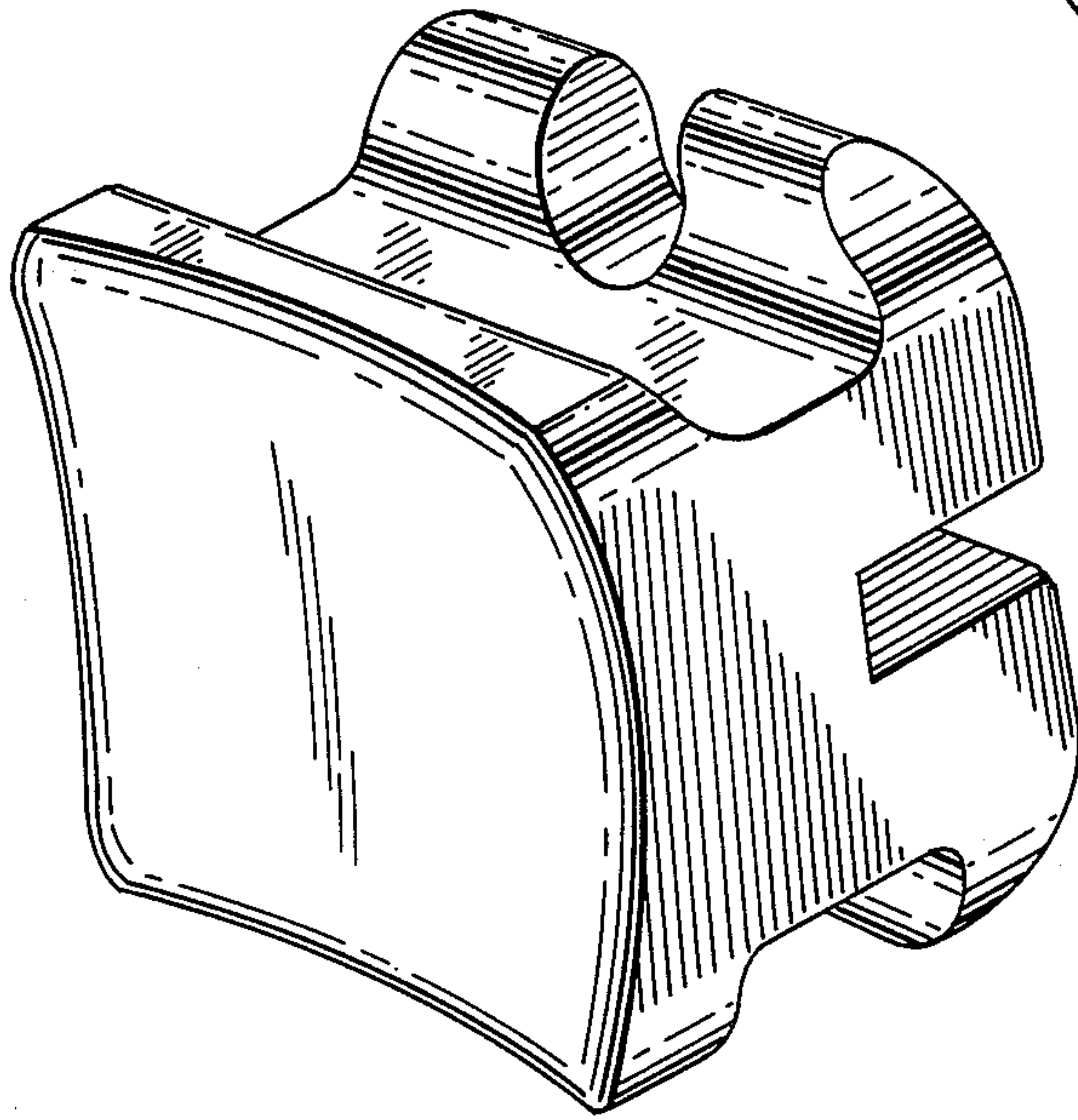
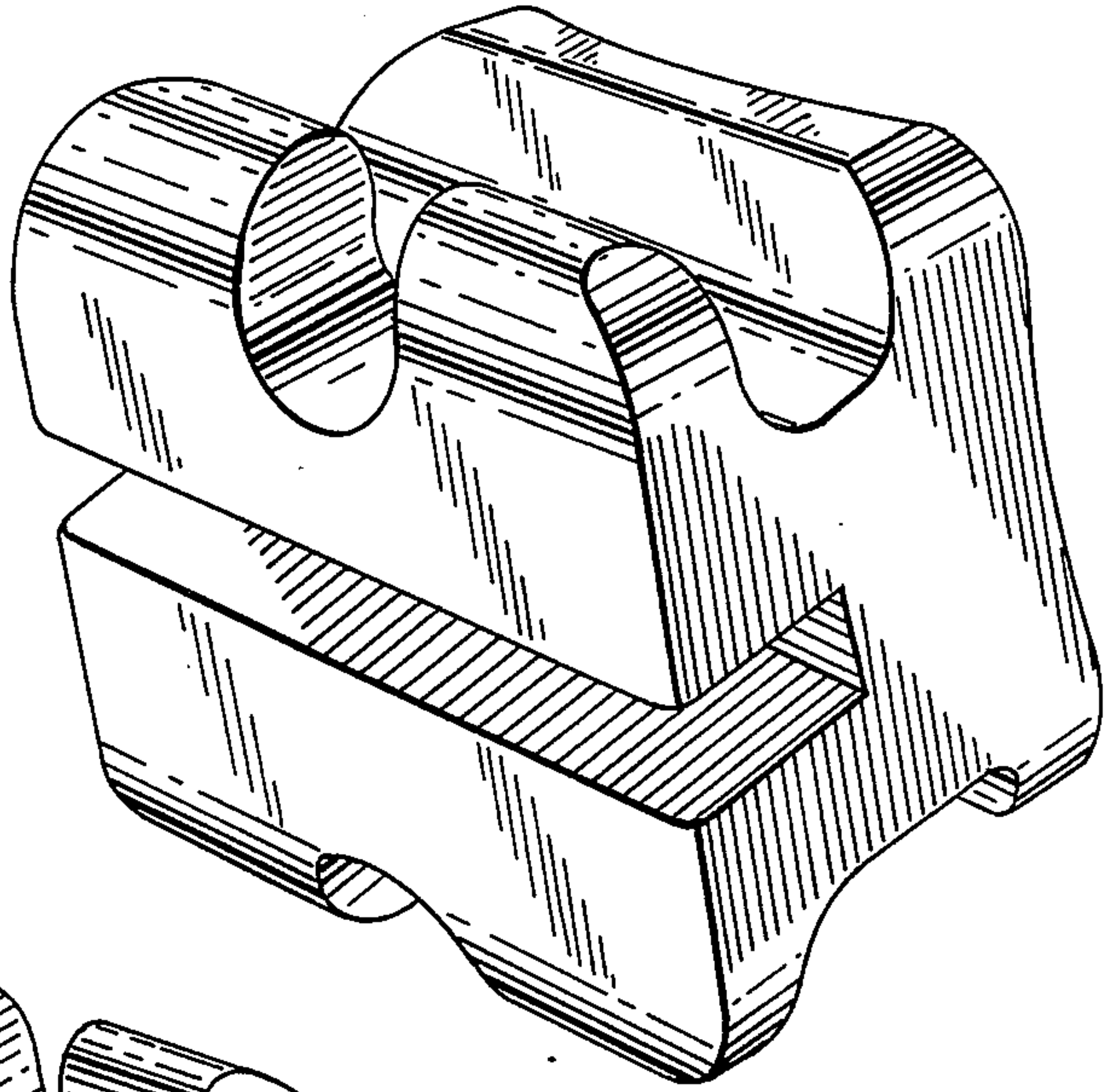
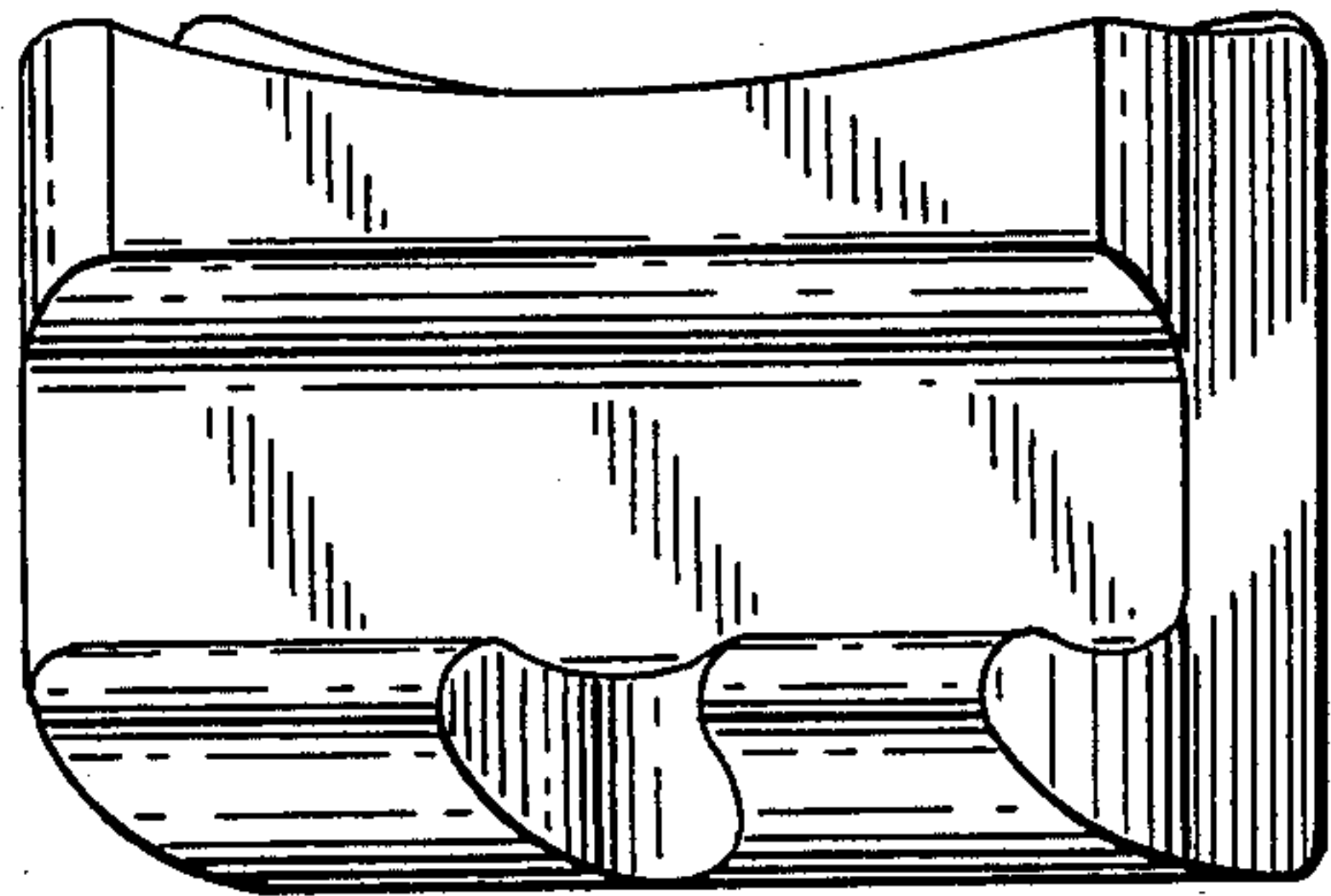


Fig. 2

Fig. 3



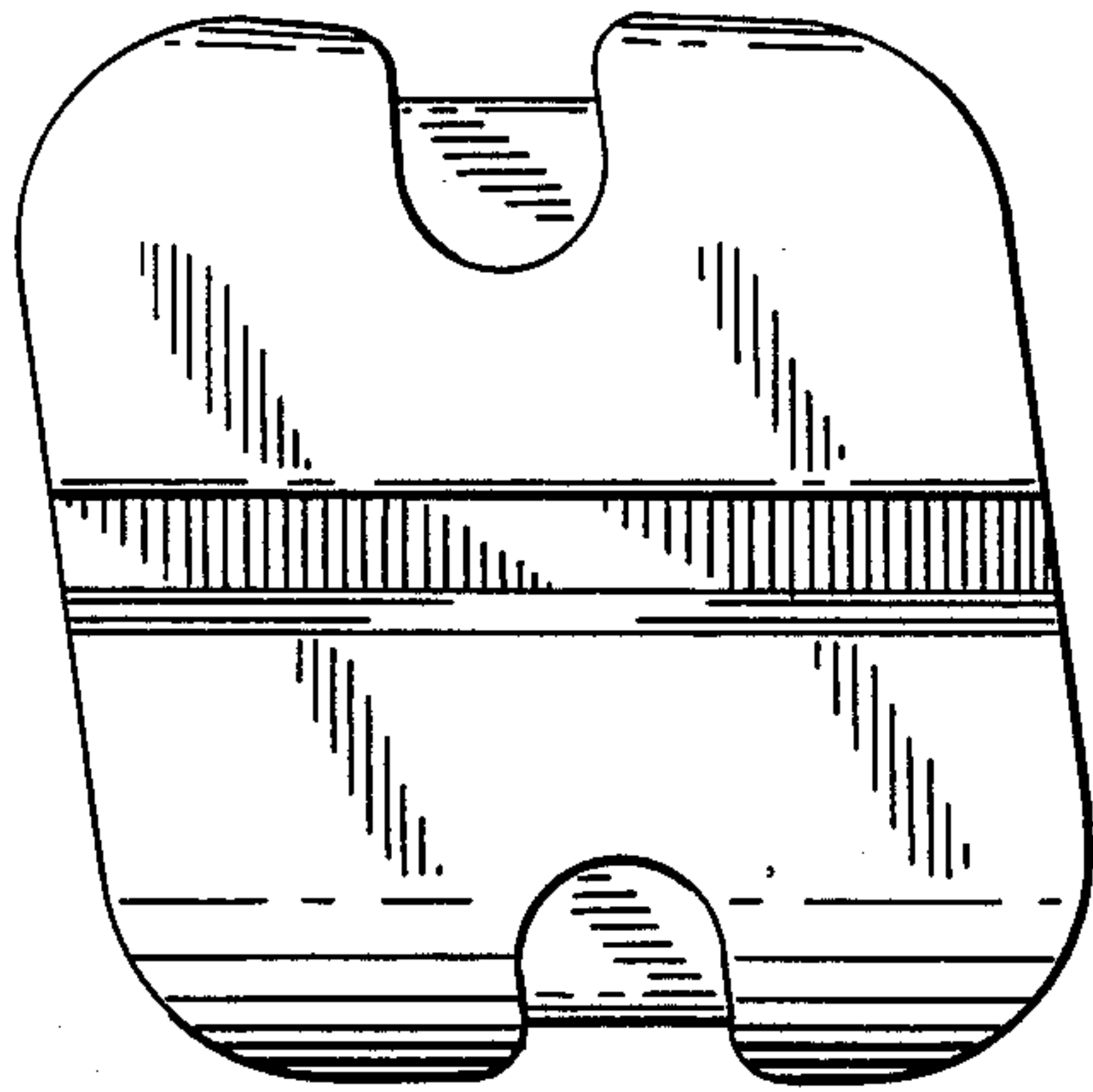


Fig. 4

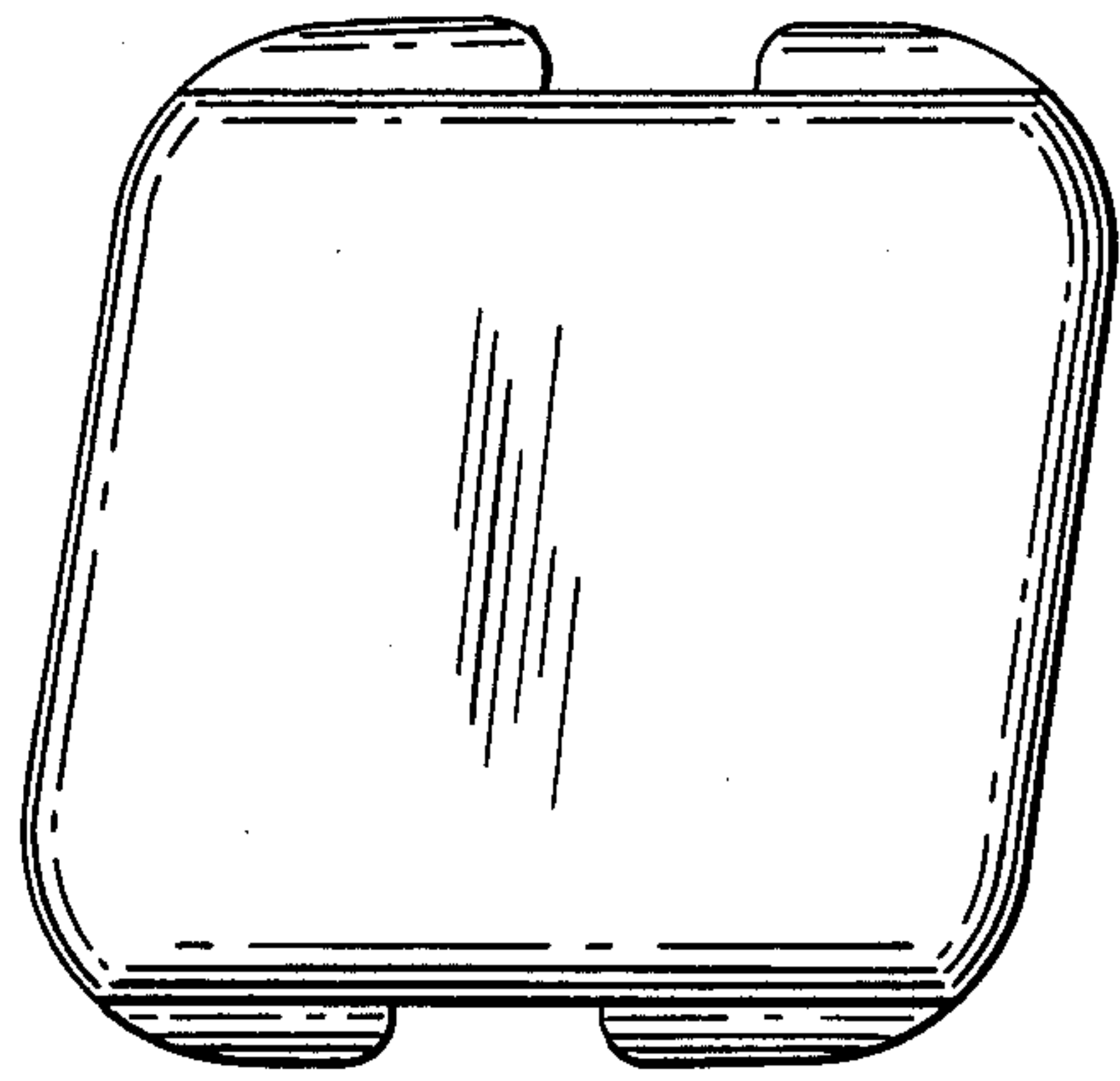


Fig. 6

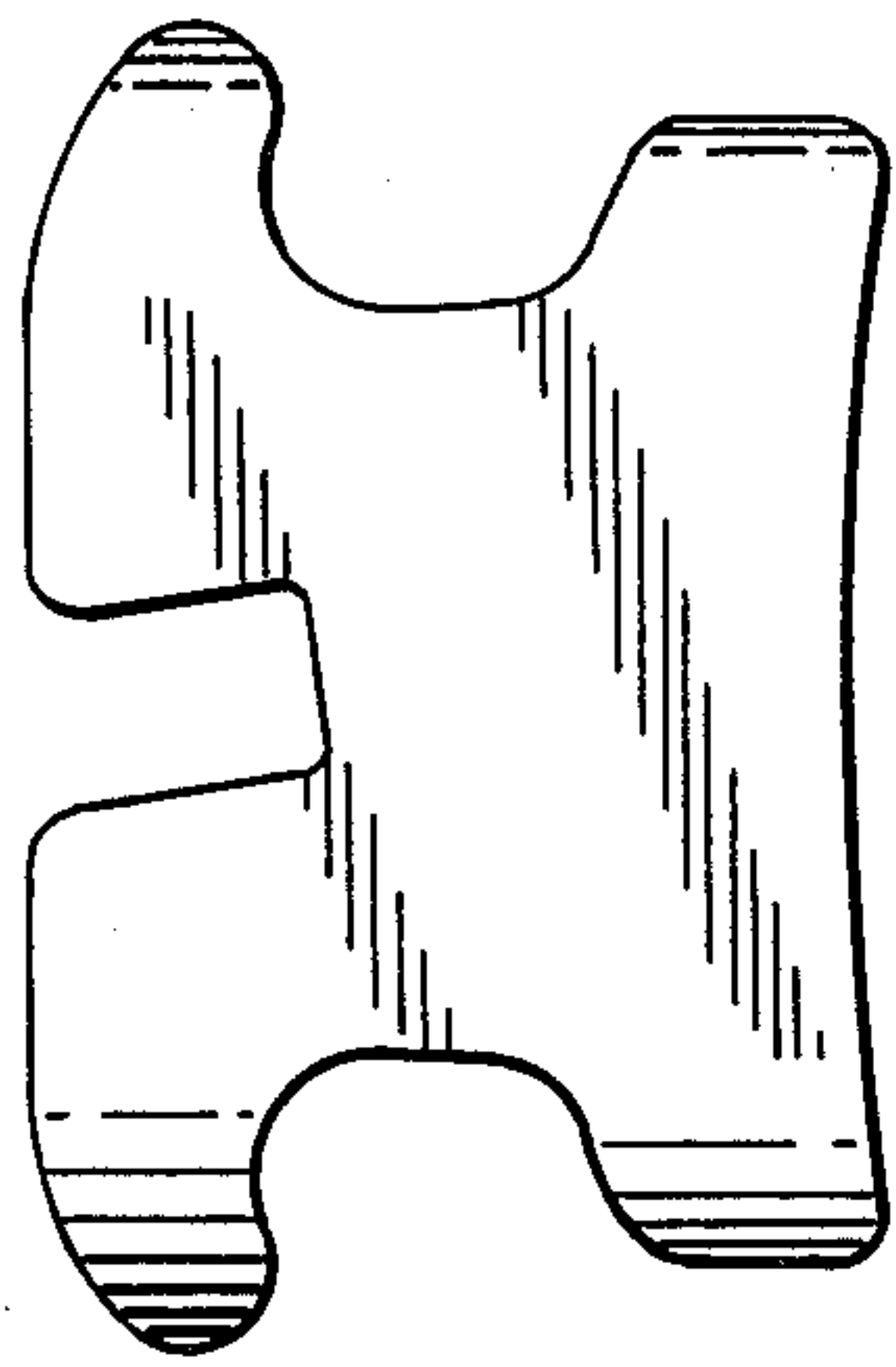


Fig. 5

Fig. 7

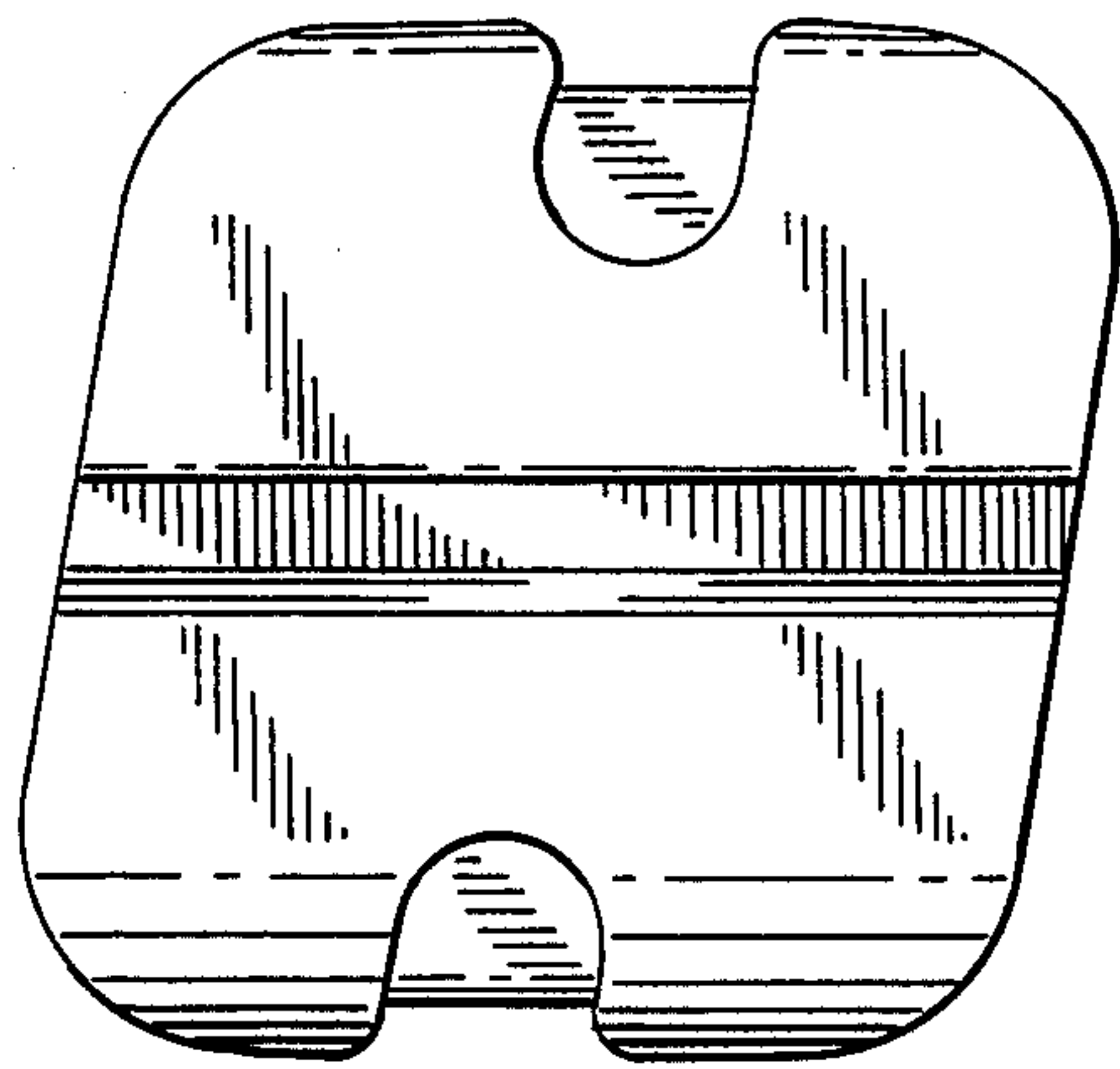


Fig. 8

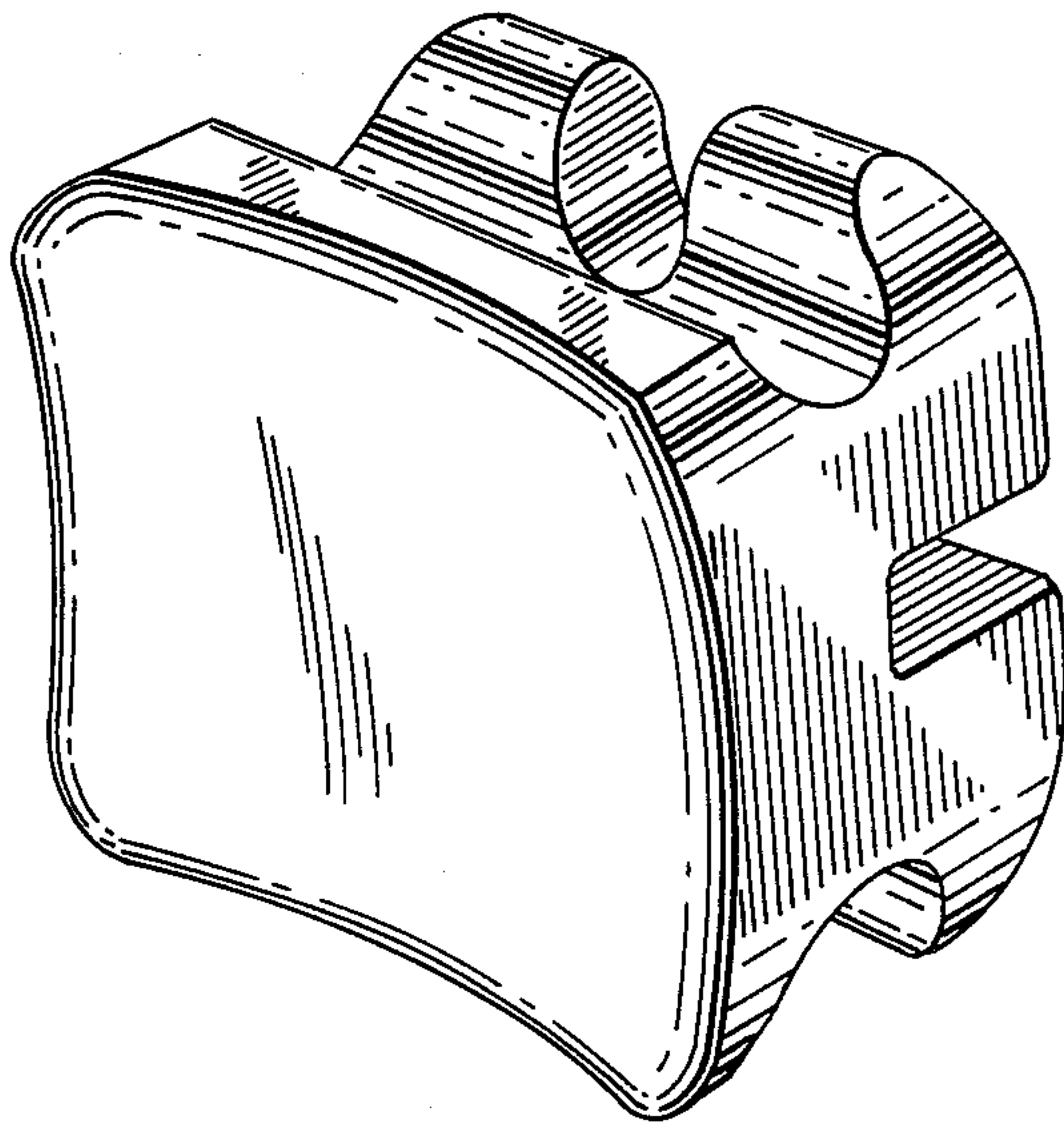
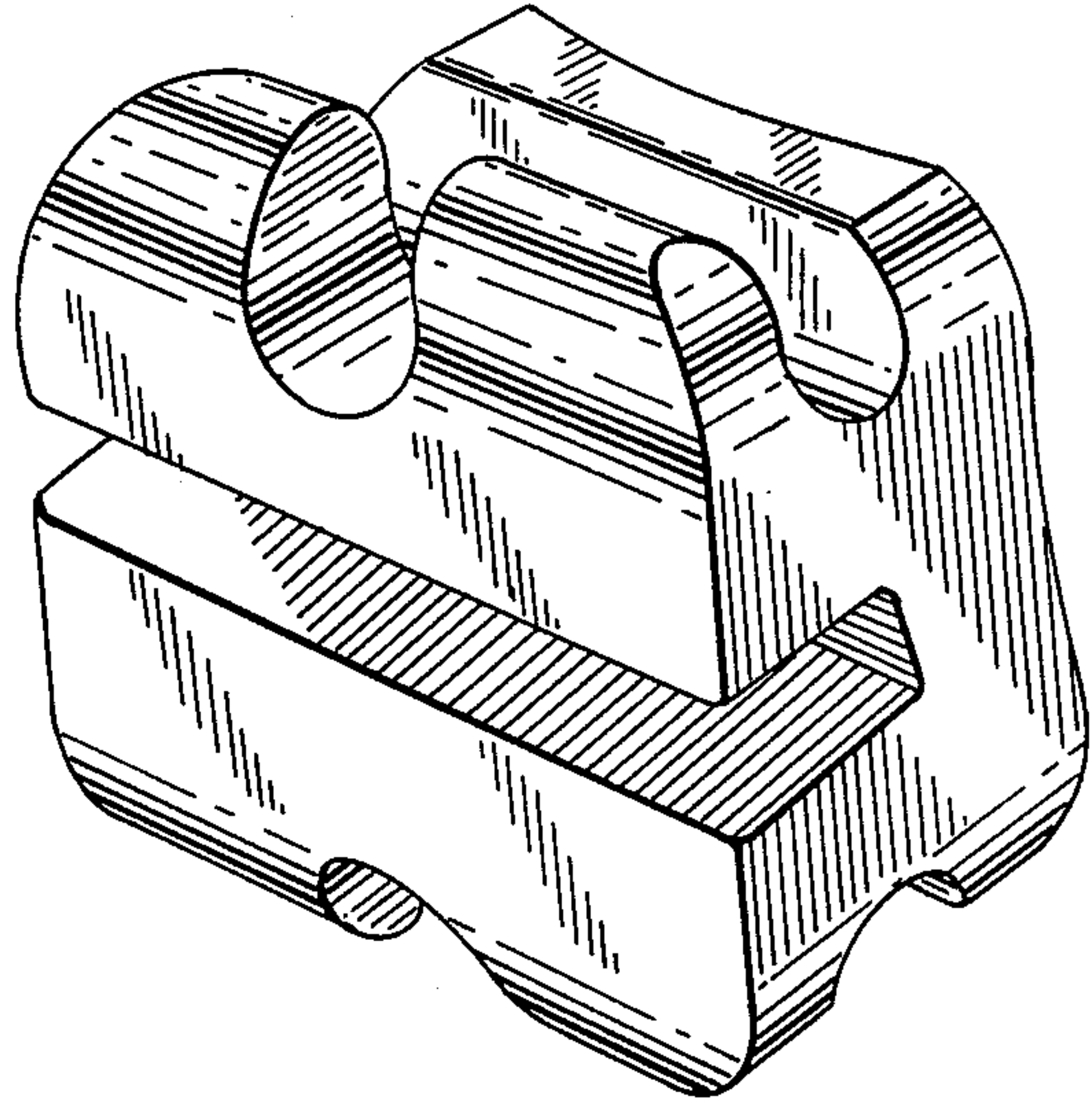
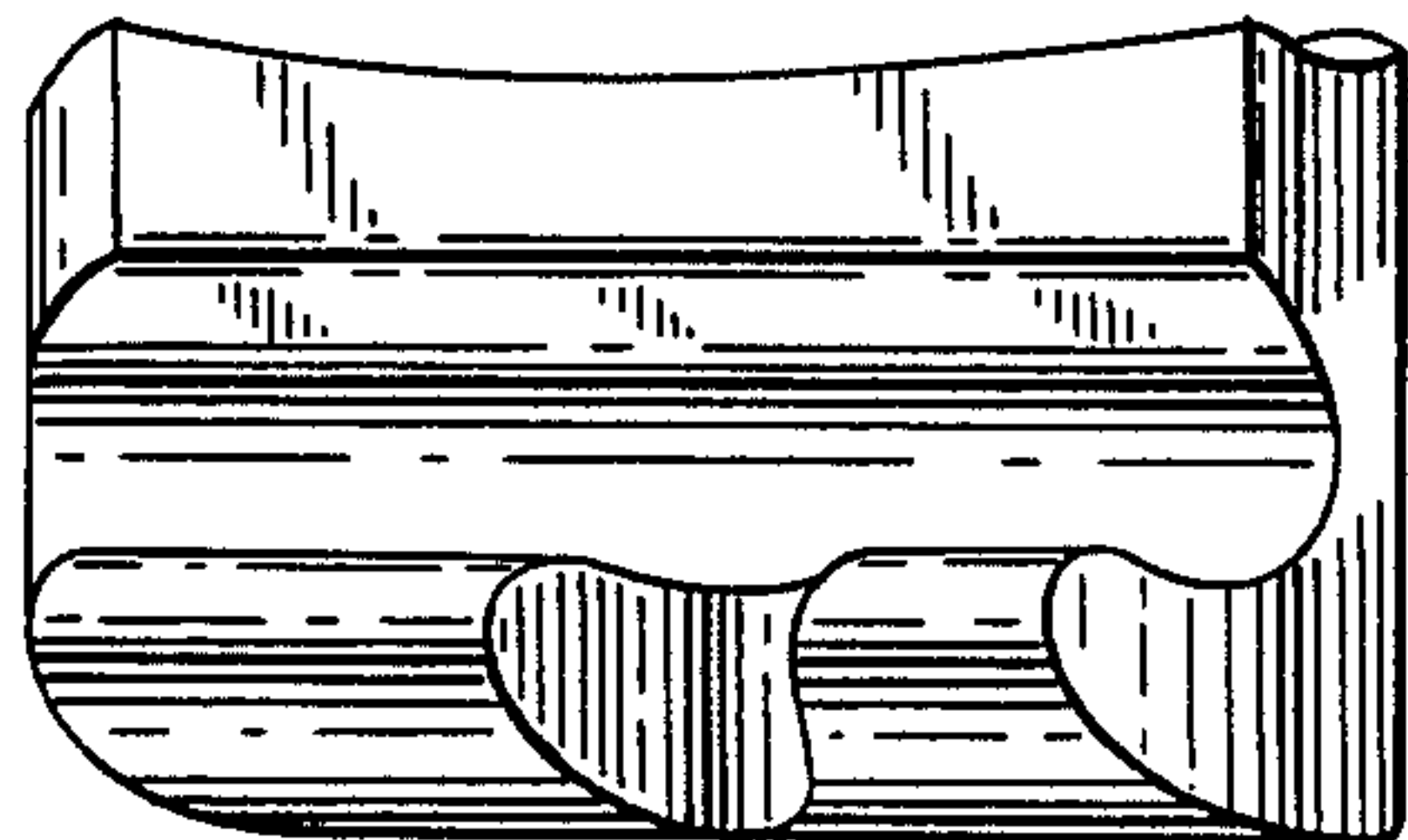


Fig. 9

Fig. 10



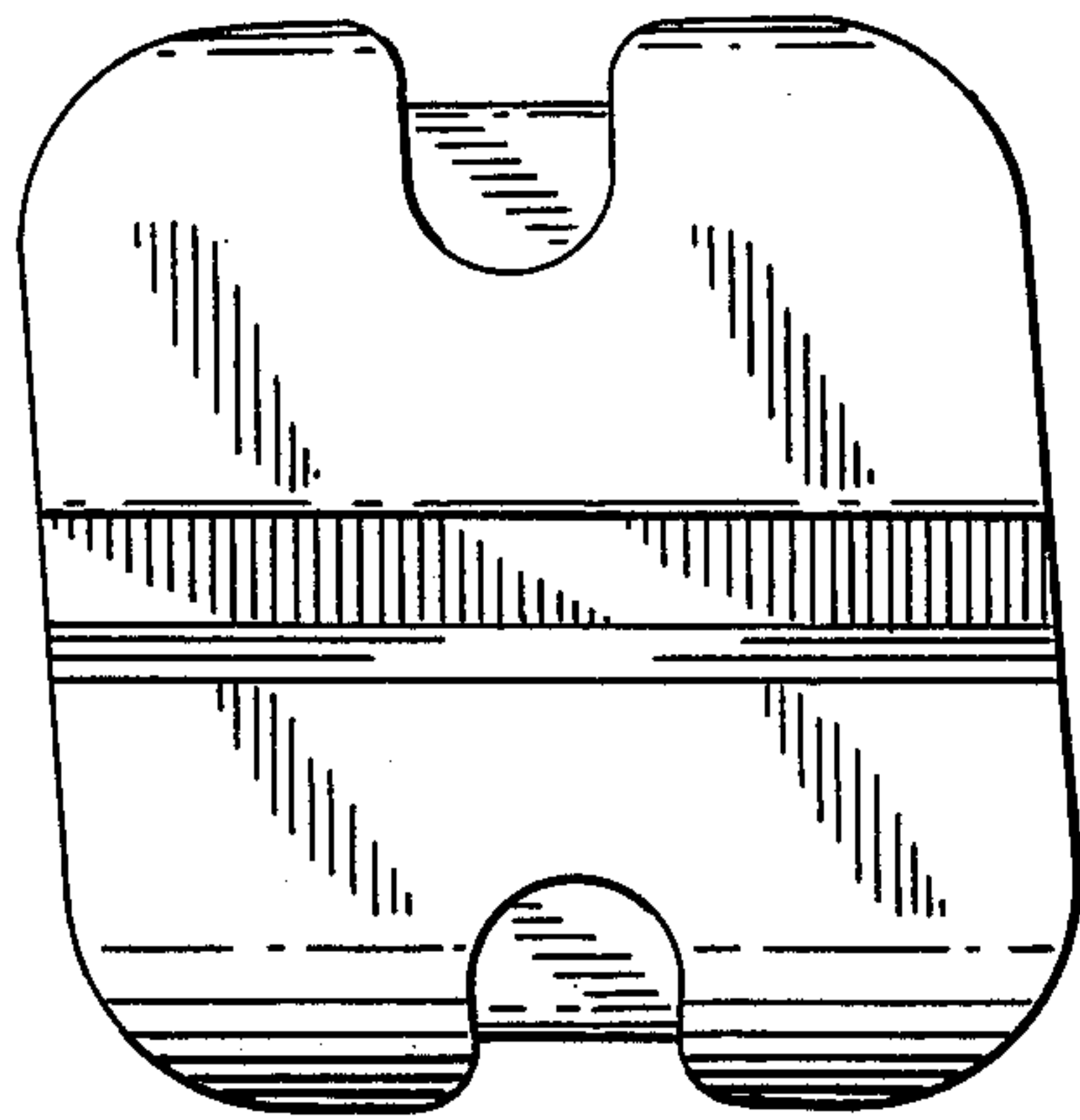


Fig. 11

Fig. 12

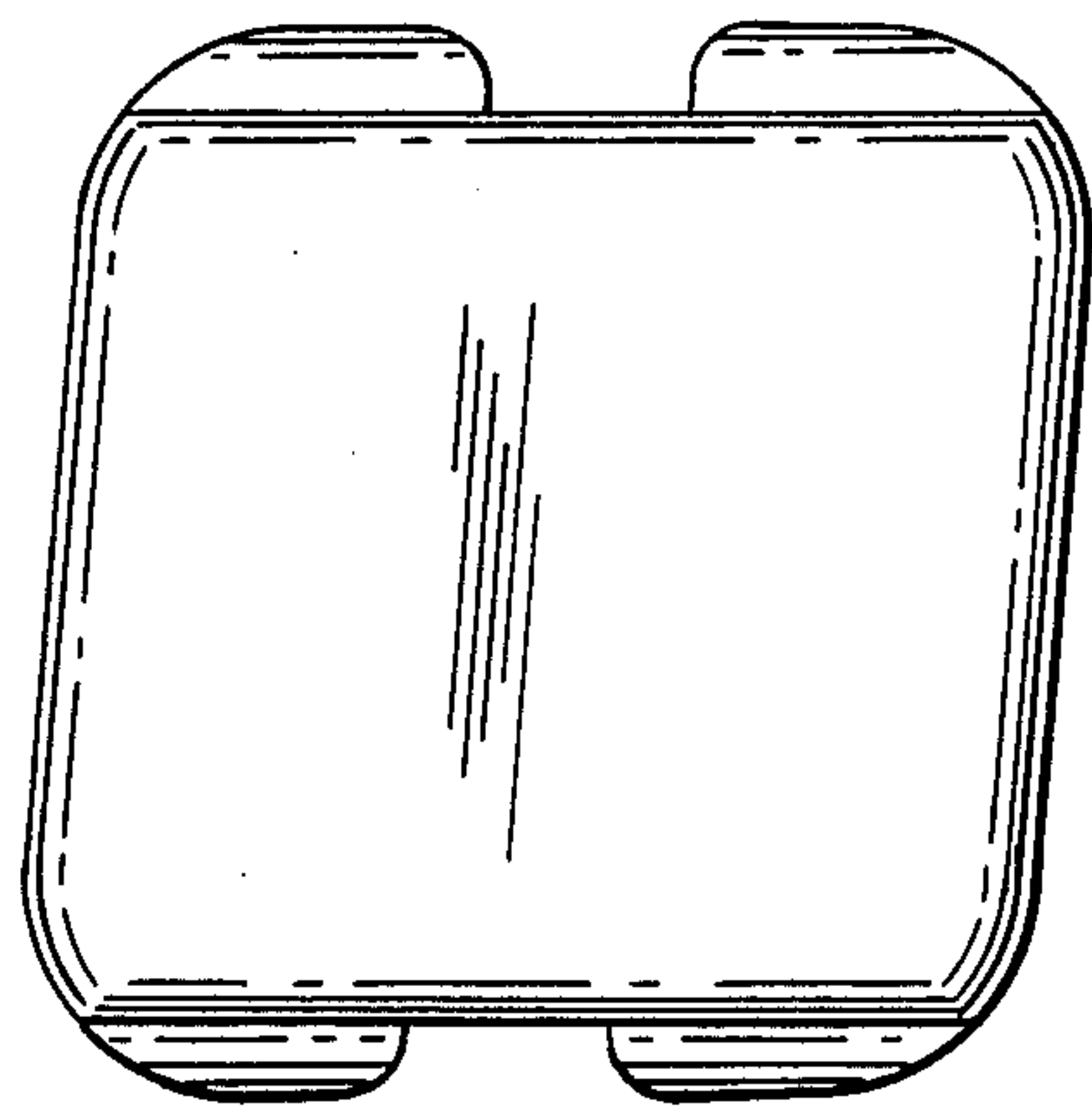


Fig. 13

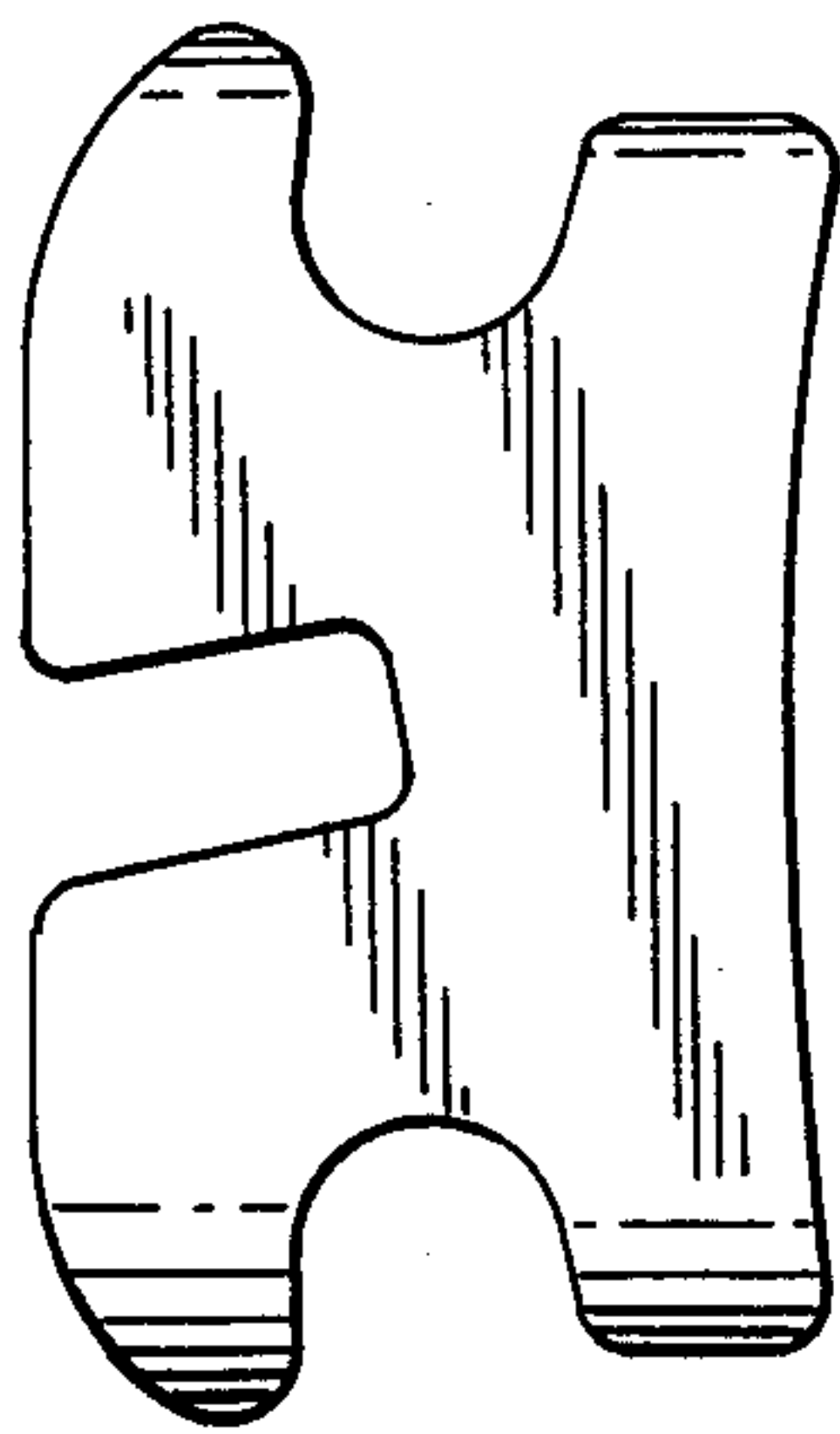


Fig. 14

