

[54] **SUSPENDED FIREPLACE GRATE**

[75] **Inventor: John W. Moroney, Glendora, Calif.**

[73] **Assignee: Superior Fireplace Company, Fullerton, Calif.**

[**] **Term: 14 Years**

[21] **Appl. No.: 822,041**

[22] **Filed: Jan. 24, 1986**

[52] **U.S. Cl. D23/398**

[58] **Field of Search D23/397-402; 126/152 R-165, 14**

[56] **References Cited**

U.S. PATENT DOCUMENTS

D. 195,494	6/1963	Albert	D23/398
D. 225,637	12/1972	Schmitt	D23/398
70,924	11/1867	Wallace .	
92,049	6/1869	Hinman .	
95,529	10/1869	Snyder .	
98,045	12/1869	Everhart .	
2,924,212	2/1960	Phillips et al.	126/14
2,985,165	5/1961	Peterson et al.	D23/398 X
4,300,529	11/1981	Kelley	126/152 R
4,305,375	12/1981	George	126/164

OTHER PUBLICATIONS

"Pyroplace Fireplace/Furnace System", Brochure (1981), p. 4, cc/2 Heavy Duty Grate & Ash Pan. Hart Catalogue (Mar. 1985) p. 19, Grate FR186. Portland Willamette Brochure (1983) "Amplifier Heat Extractor". Pilgrim Fireplace Equipment Co. Catalogue (1984), p. 12, Log Grate LMG Series.

Primary Examiner—Wallace R. Burke
Assistant Examiner—Brian N. Vinson
Attorney, Agent, or Firm—Christie, Parker & Hale

[57] **CLAIM**

The ornamental design for a suspended fireplace grate, as shown and described.

DESCRIPTION

FIG. 1 is a perspective view of a suspended fireplace grate showing my new design;
 FIG. 2 is a side elevational view thereof, the opposite side being identical in appearance;
 FIG. 3 is a reduced front elevational view thereof, the rear being identical in appearance and the broken-line showing of the fireplace enclosure being for illustrative purposes only, and forming no part of the claimed design; and
 FIG. 4 is a perspective view of an alternate embodiment thereof.

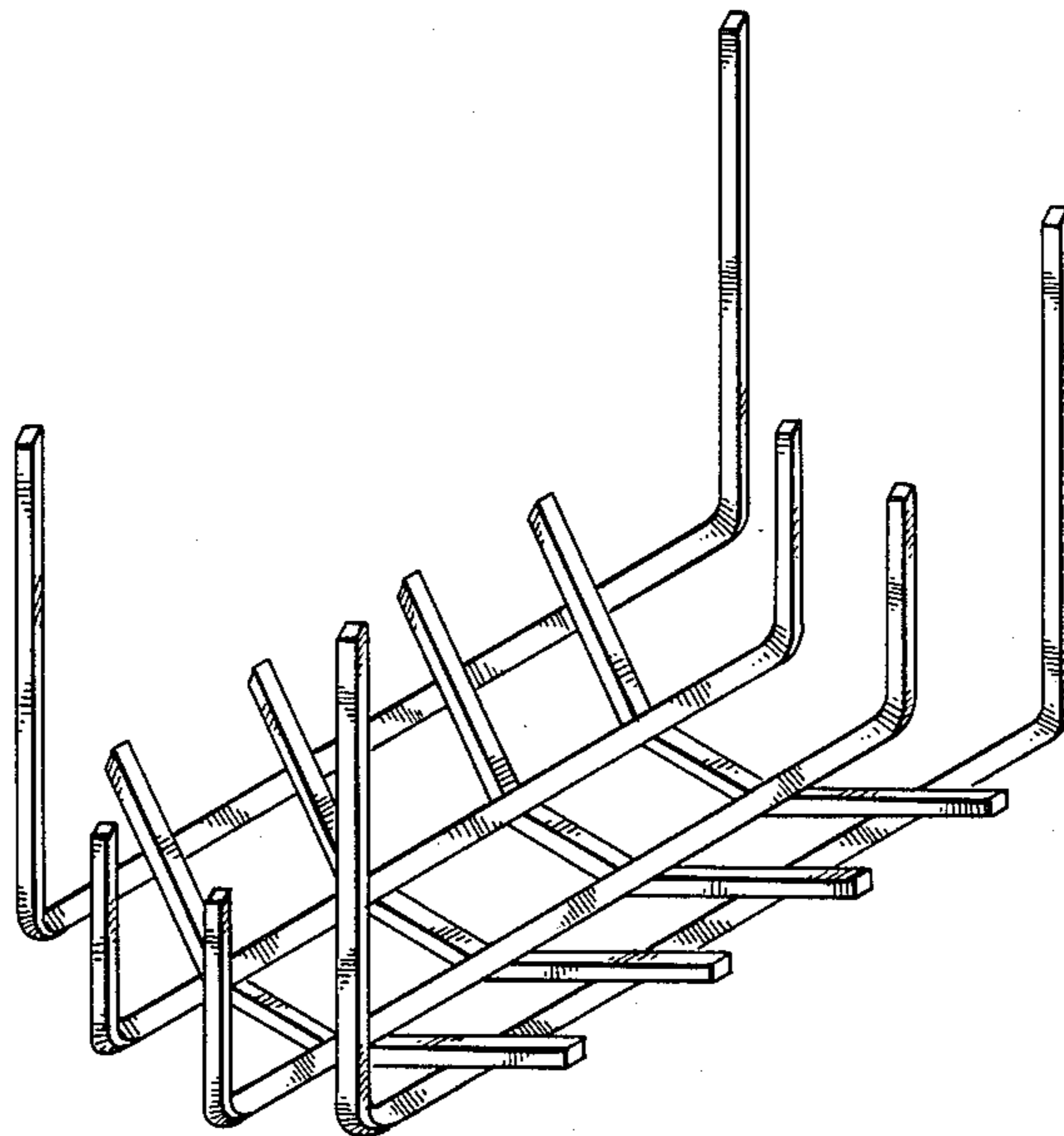


Fig. 1

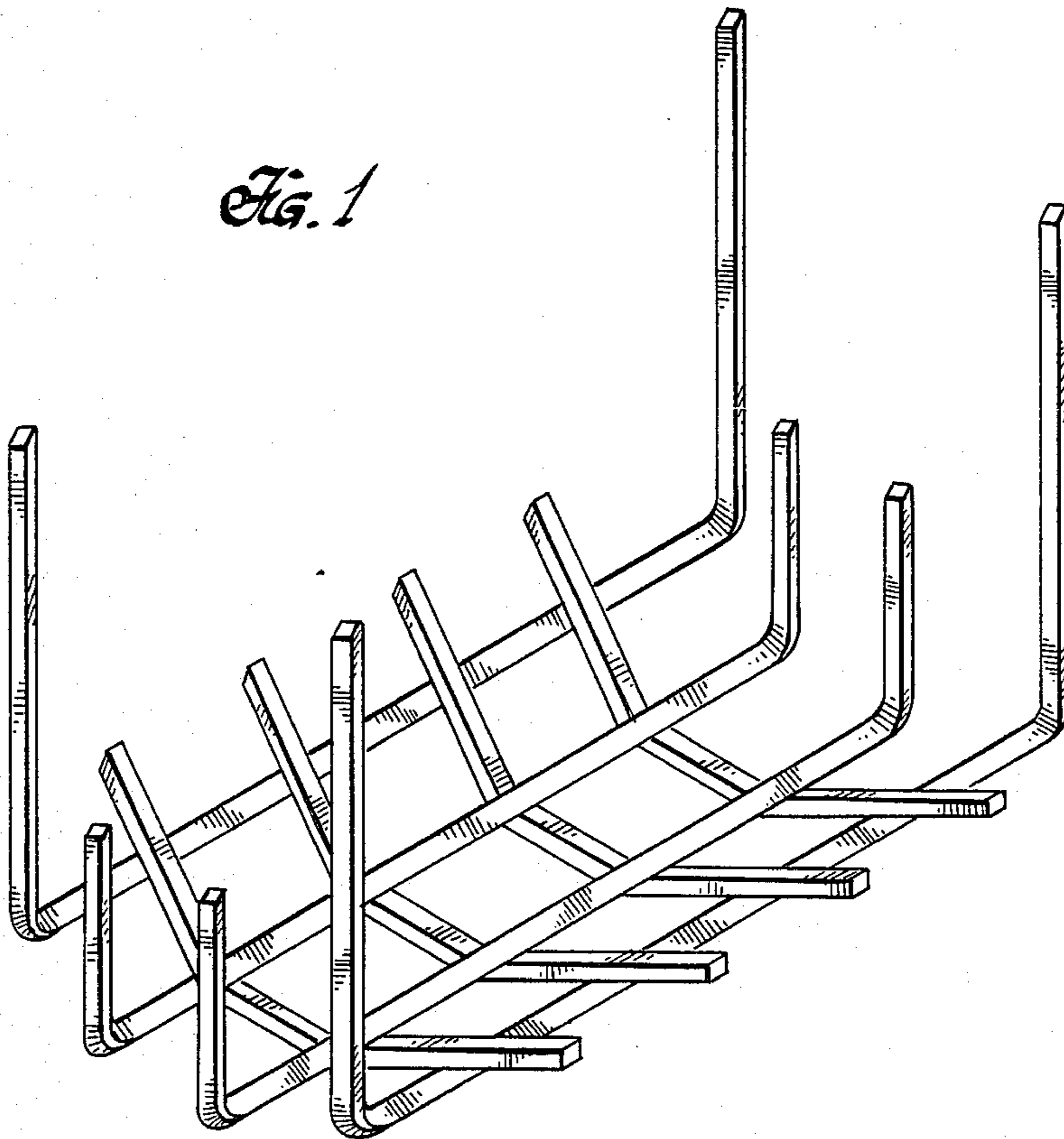


Fig. 2

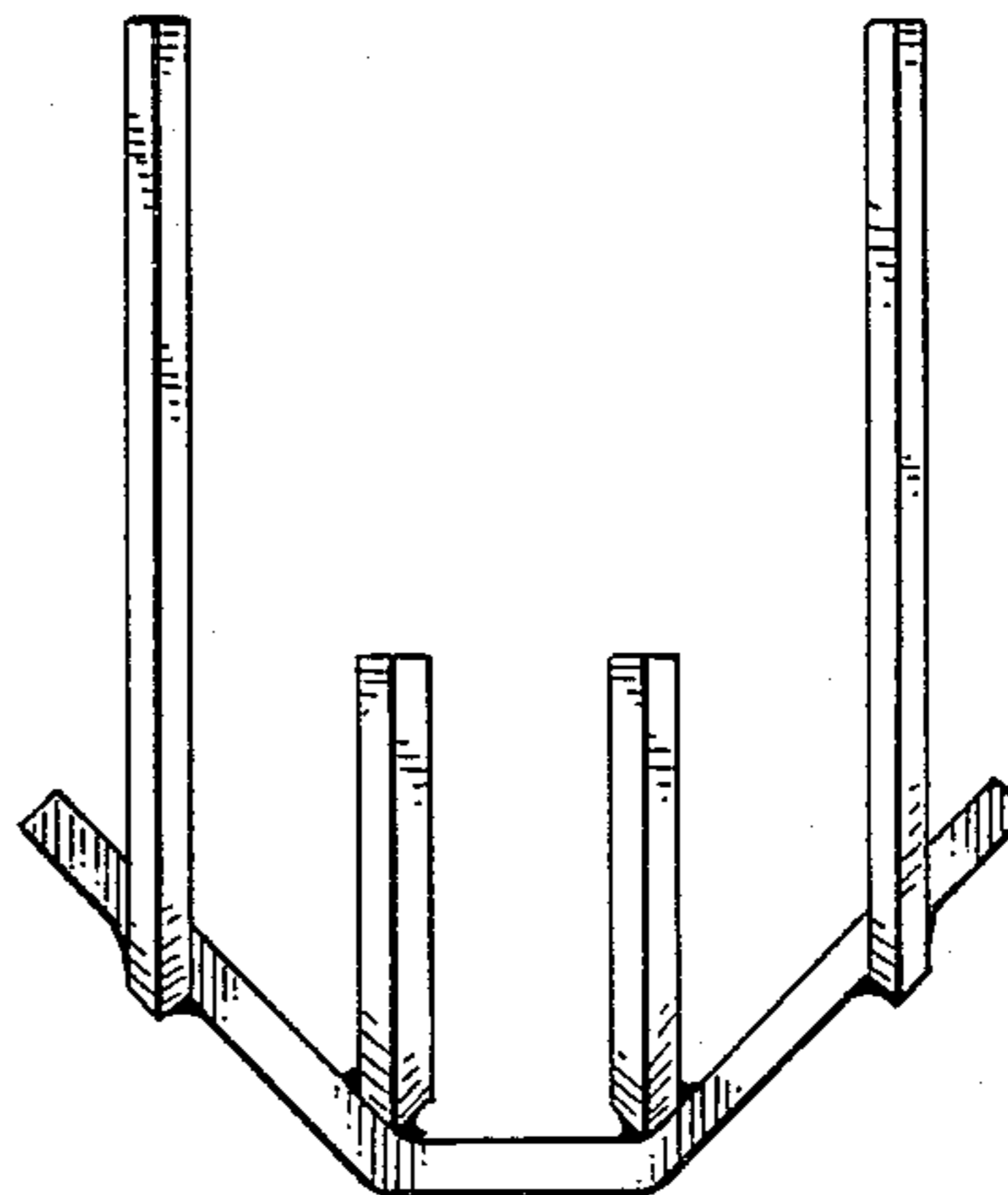


FIG. 3

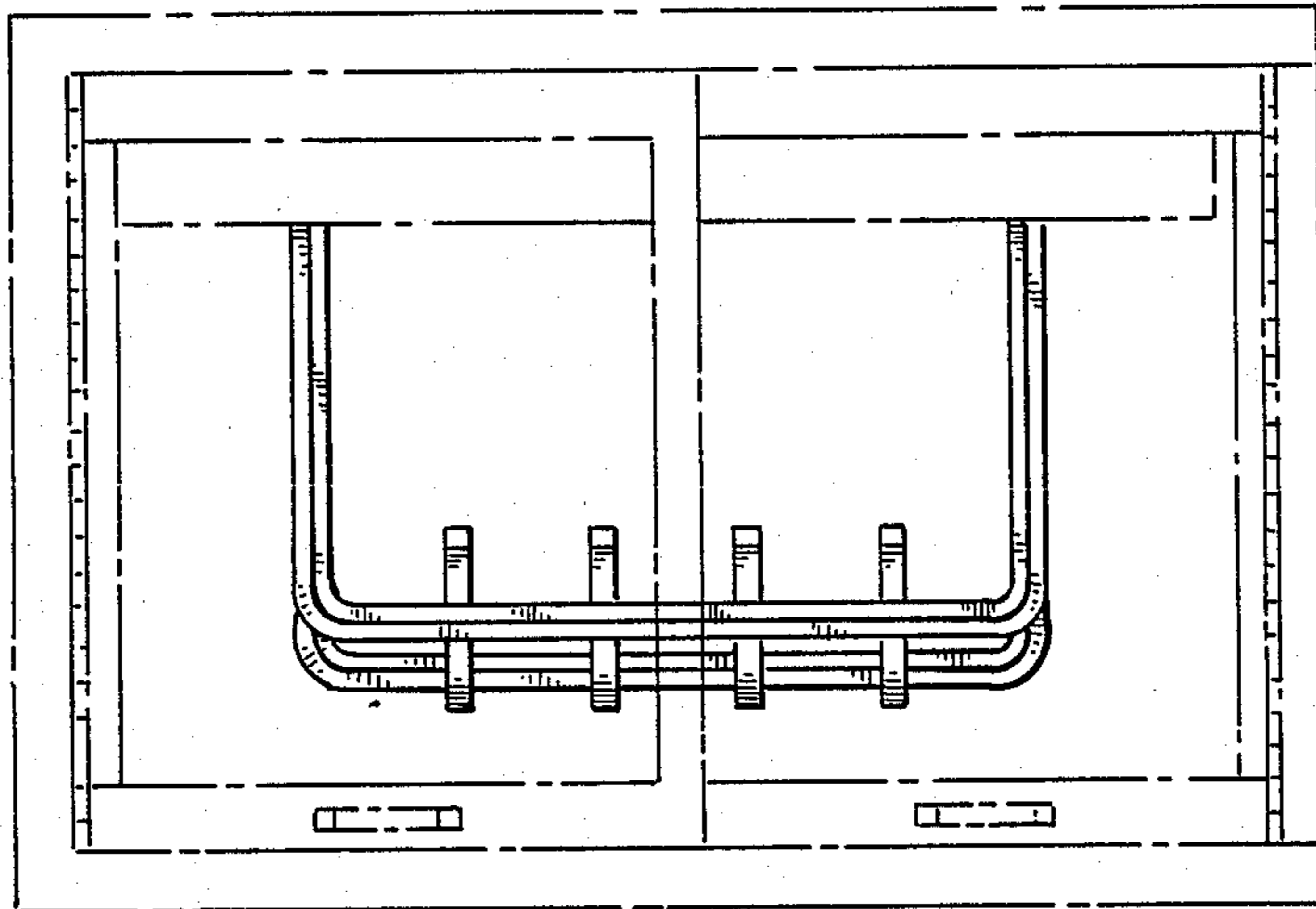


FIG. 4

