

[54] TOILET

[75] Inventor: John M. Stewart, Park, Canada

[73] Assignee: Sanitation Equipment Limited, Concord, Canada

[**] Term: 14 Years

[21] Appl. No.: 918,423

[22] Filed: Oct. 14, 1986

[52] U.S. Cl. D23/295

[58] Field of Search D23/295-299; 4/321, 329-332, 434-442, 471

[56] References Cited

U.S. PATENT DOCUMENTS

D. 198,122	5/1964	Whitehouse	D23/295
D. 233,150	10/1974	Workman	D23/299
D. 236,206	8/1975	McHose	D23/299
D. 238,577	1/1976	Hewson	D23/299
D. 256,722	9/1980	Sargent et al.	D23/295
3,883,903	5/1975	Vaden Brock et al.	4/440
3,932,901	1/1976	Inui et al.	4/332
3,939,500	2/1976	Miller et al.	4/332
4,185,340	1/1980	Sargent et al.	4/438 X
4,246,666	1/1981	Stansburg, Jr.	4/441 X
4,710,988	12/1987	Stewart	4/438

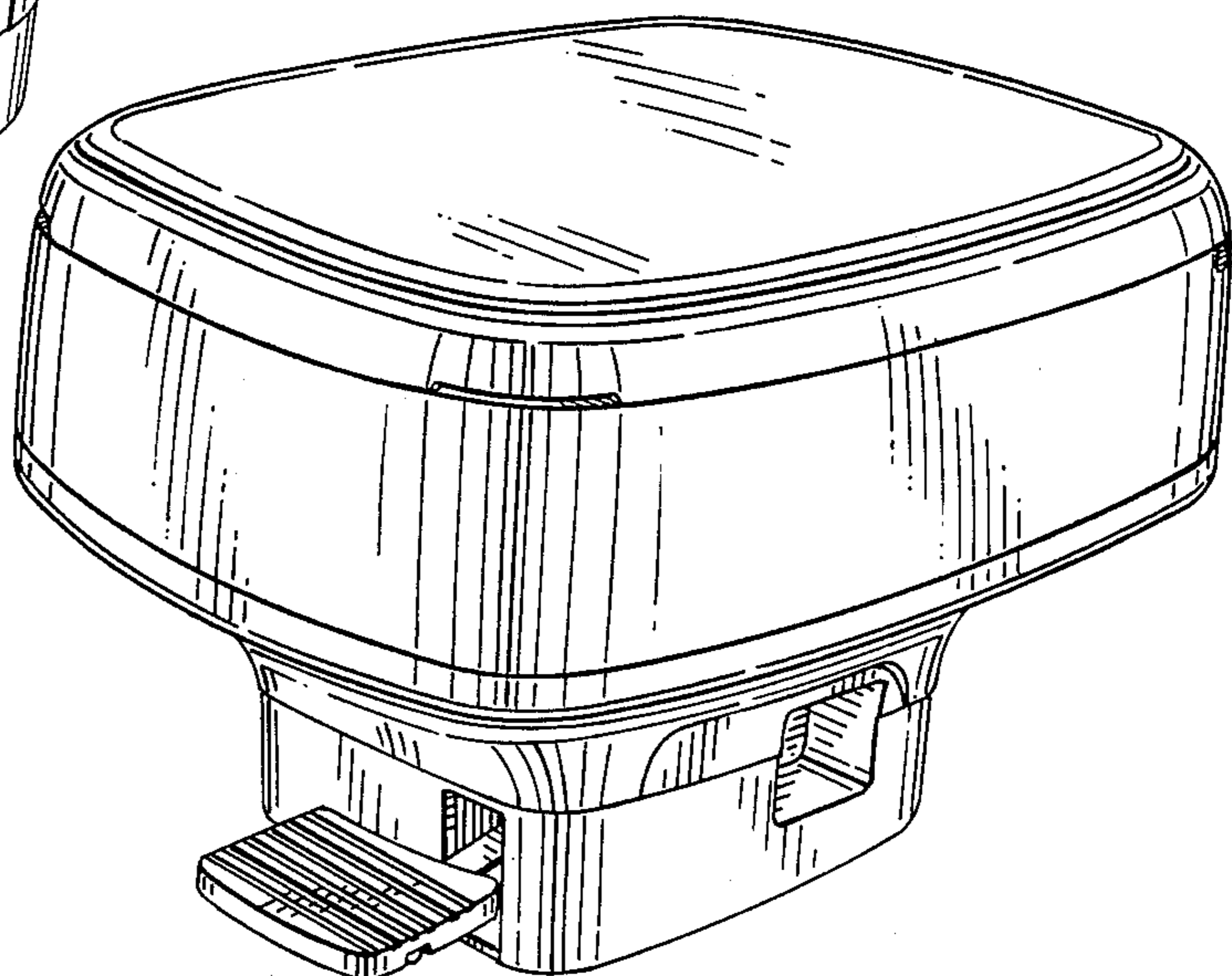
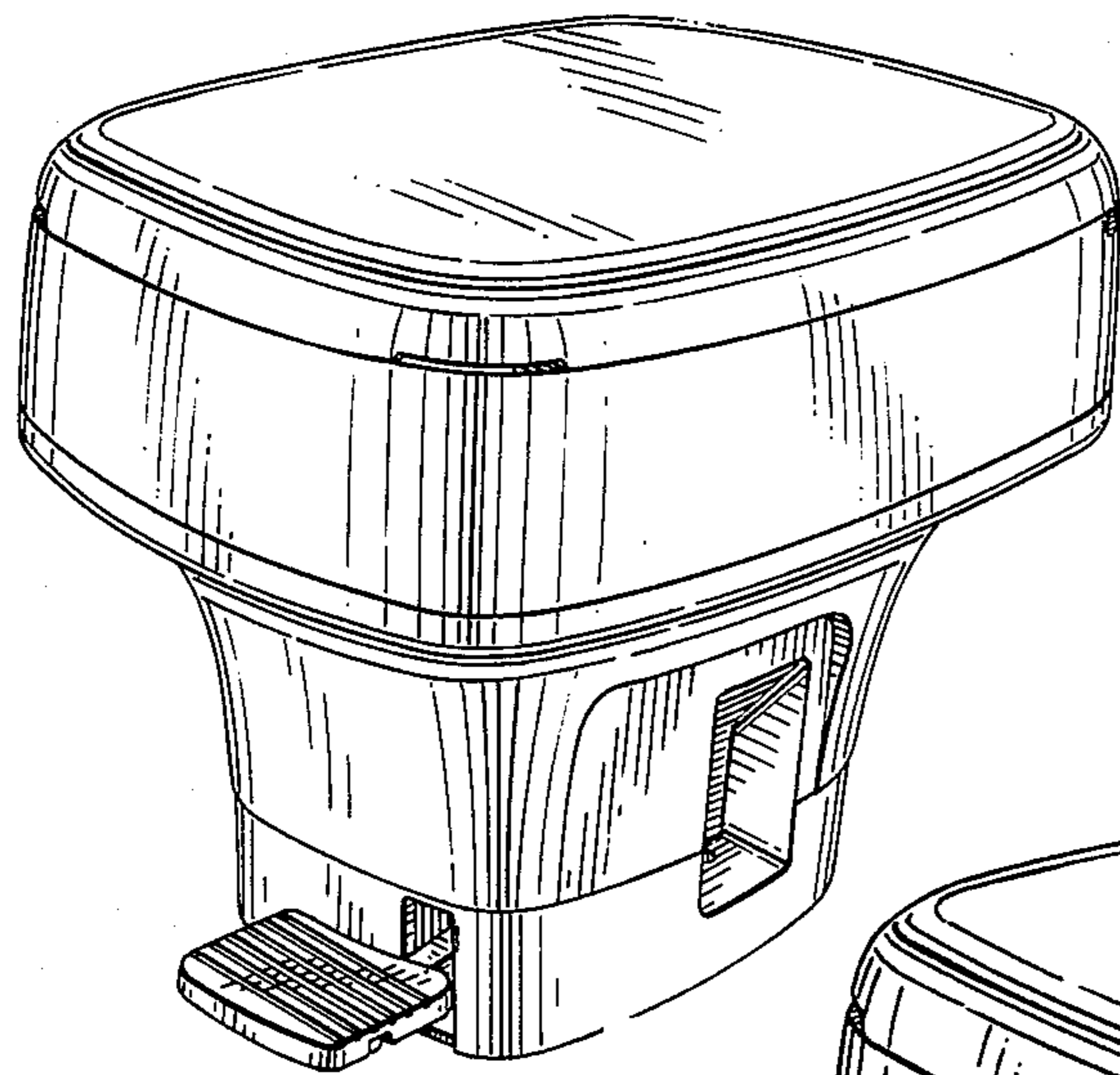
Primary Examiner—James R. Largen
Attorney, Agent, or Firm—Rogers, Bereskin & Parr

[57] CLAIM

The ornamental design for a toilet, as shown and described.

DESCRIPTION

FIG. 1 is a perspective view taken from the top, front and right side of a toilet showing my new design; FIG. 2 is a perspective view taken from the top, rear and left side thereof; FIG. 3 is a perspective view taken from the bottom, rear and right side thereof; FIG. 4 is a top plan view thereof; FIG. 5 is a left side elevational view thereof; FIG. 6 is a rear elevational view thereof; FIG. 7 is a perspective view taken from the top, front and right side of a modified form of the toilet shown in FIG. 1; FIG. 8 is a perspective view taken from the top, rear and left side of FIG. 7; FIG. 9 is a perspective view taken from the bottom, rear and right side of FIG. 7; FIG. 10 is a top plan view of FIG. 7; FIG. 11 is a left side elevational view of FIG. 7; and FIG. 12 is a rear elevational view of FIG. 7.



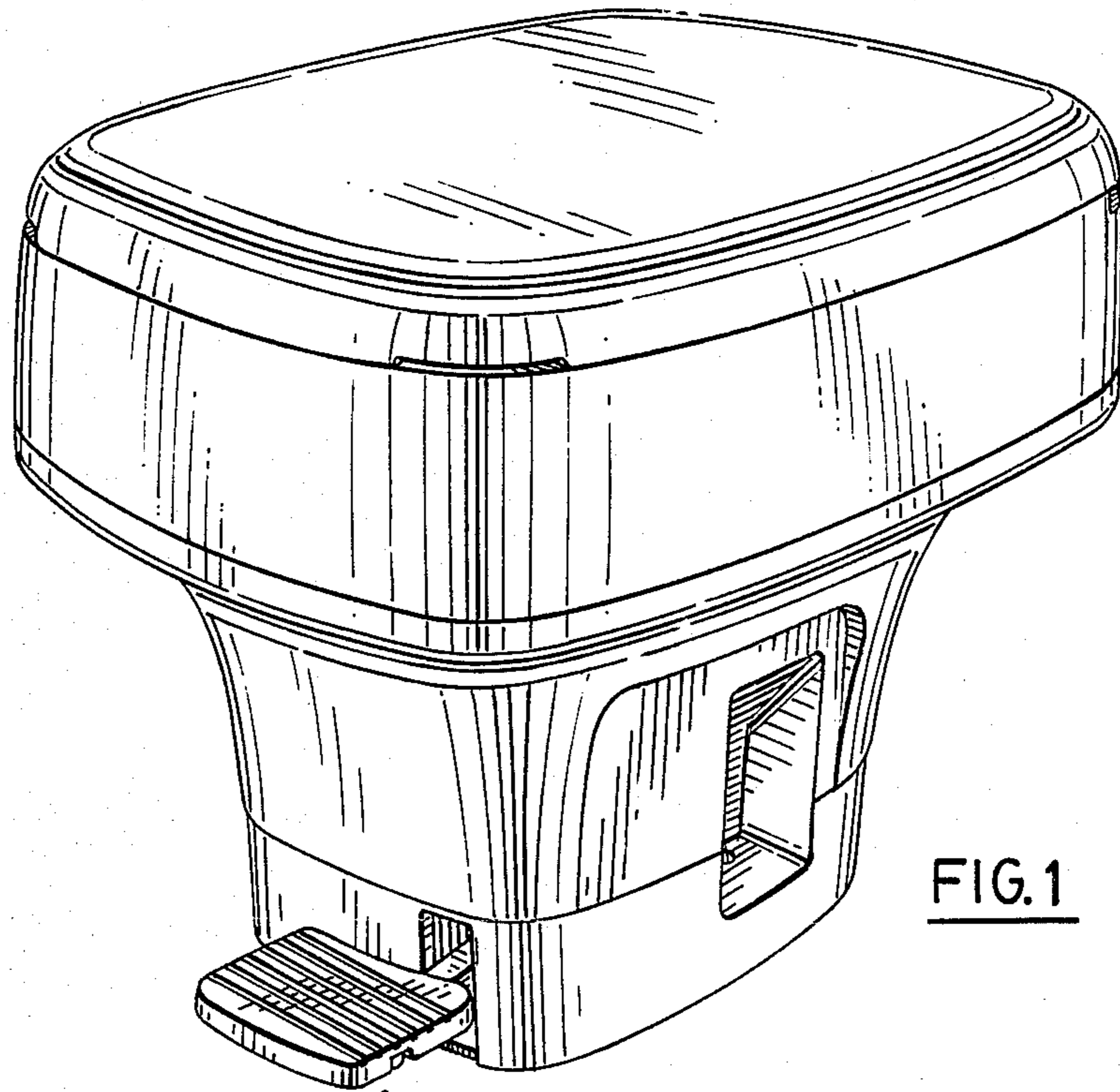


FIG. 1

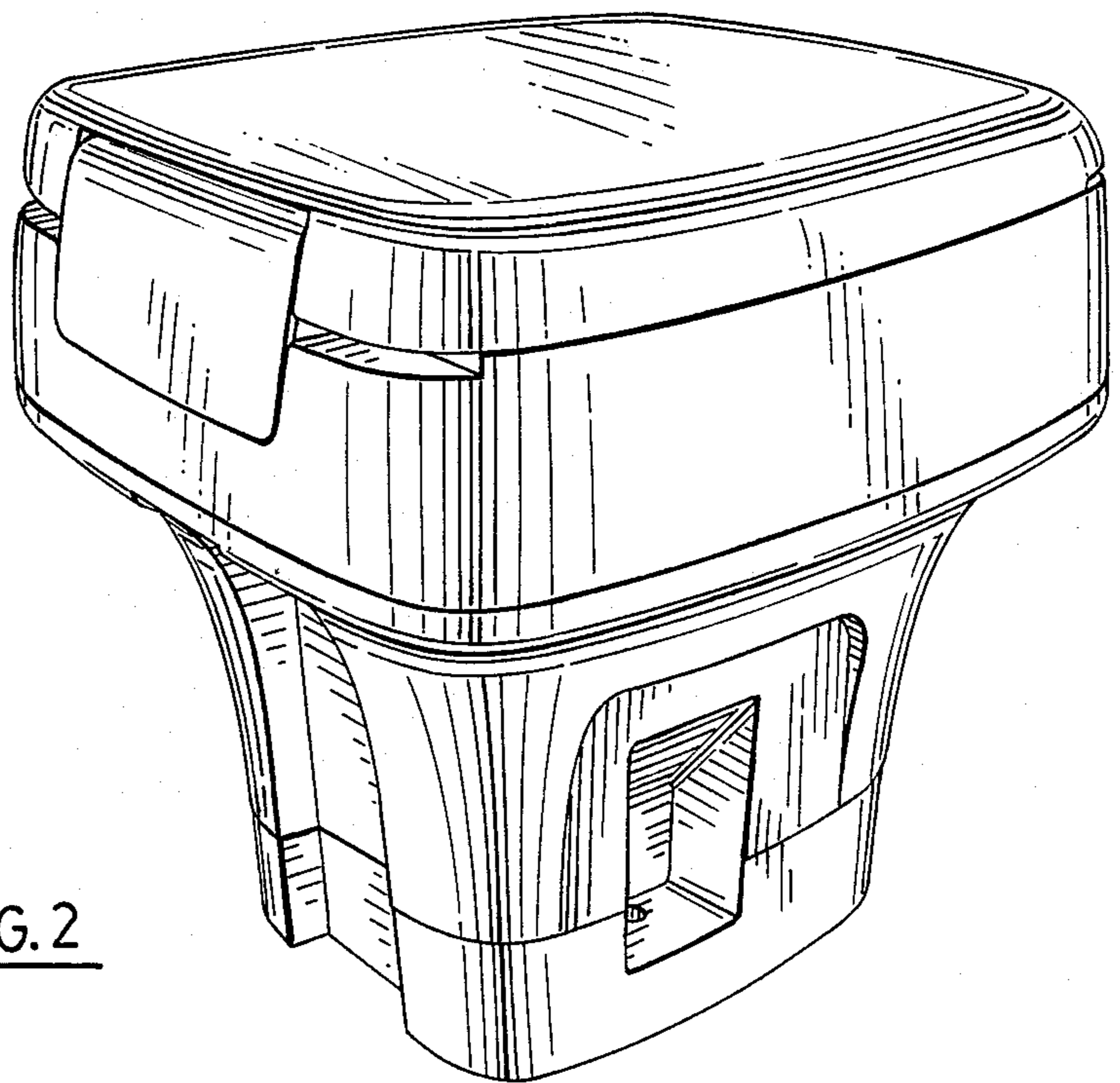


FIG. 2

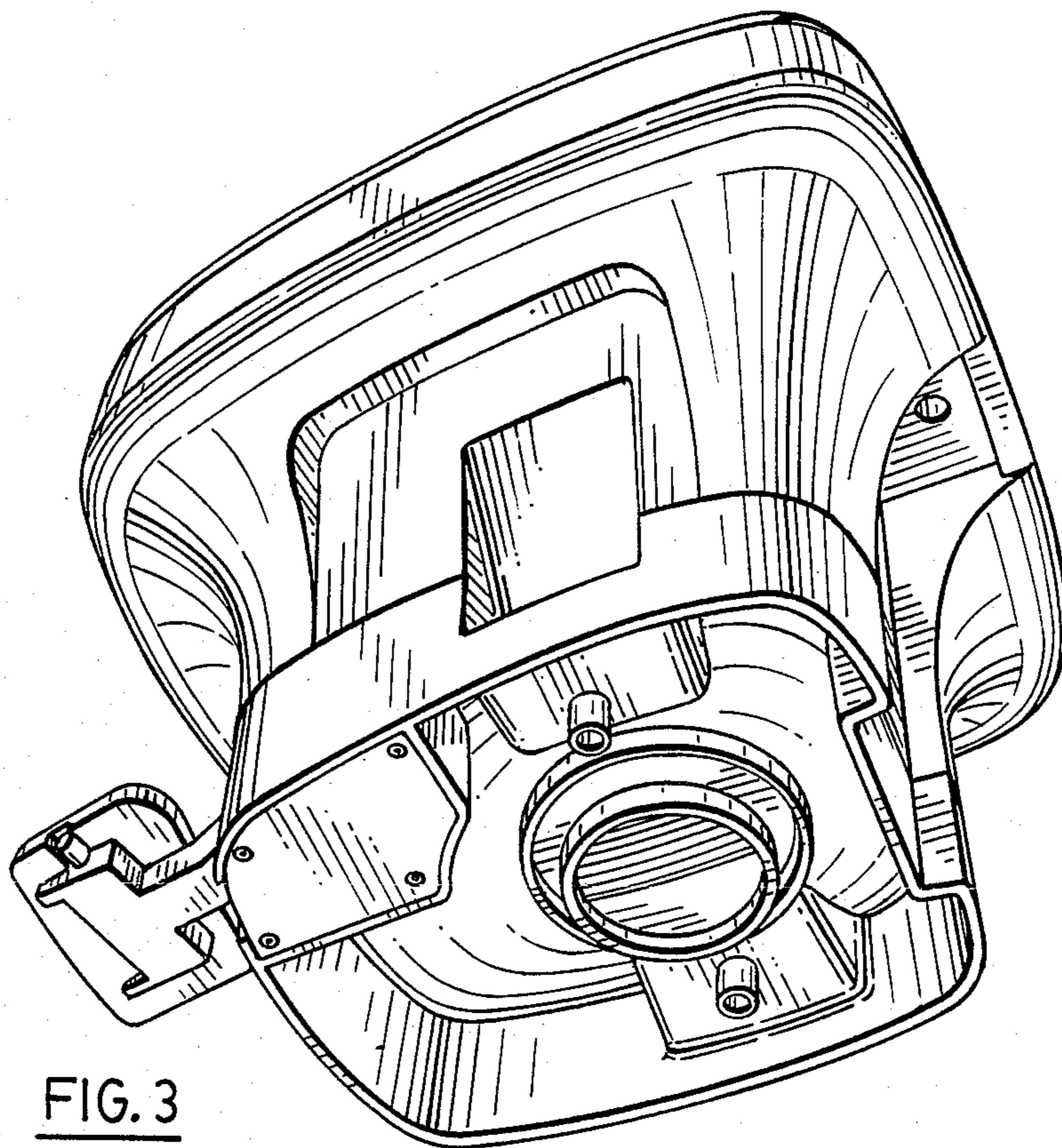


FIG. 3

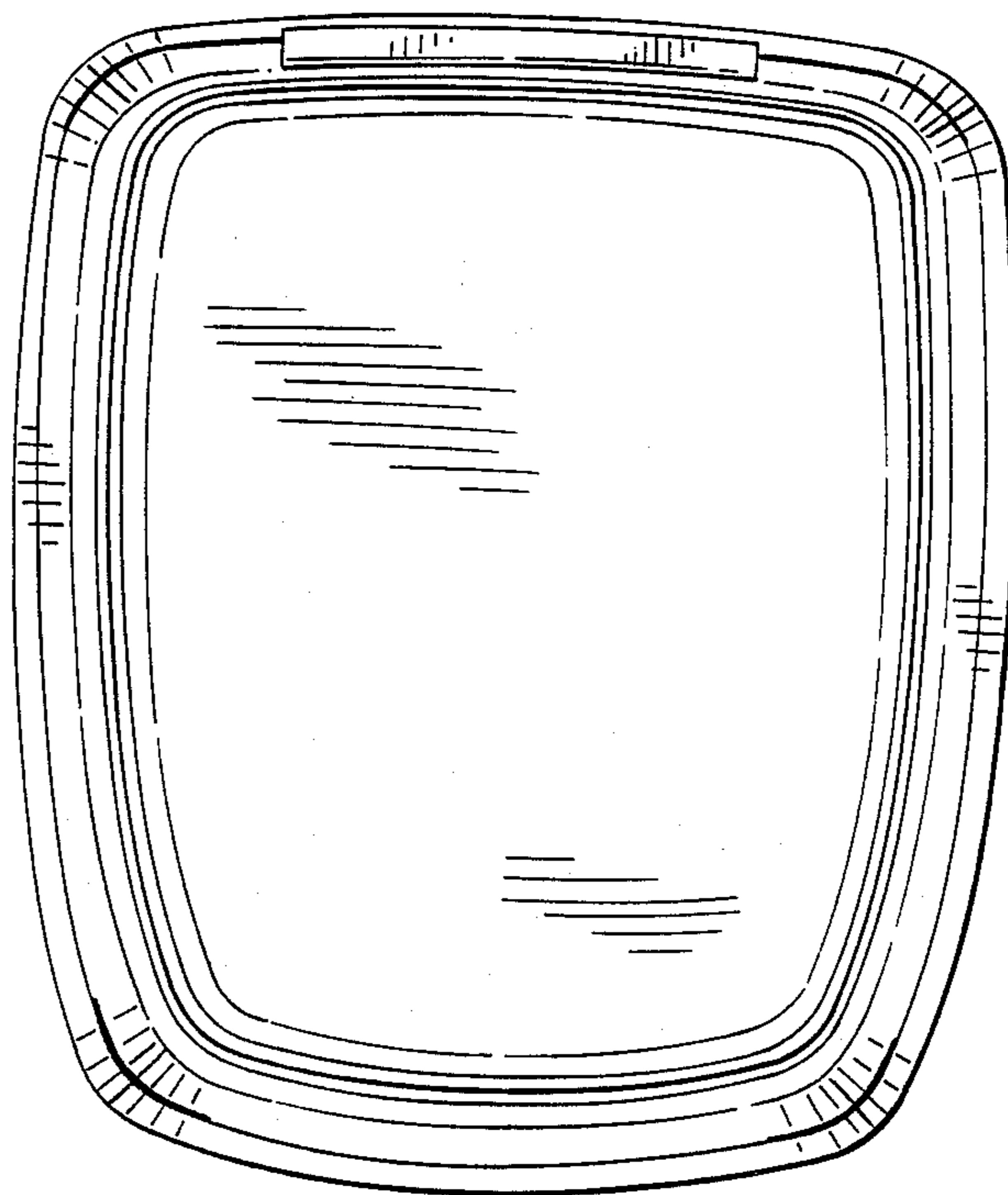


FIG. 4

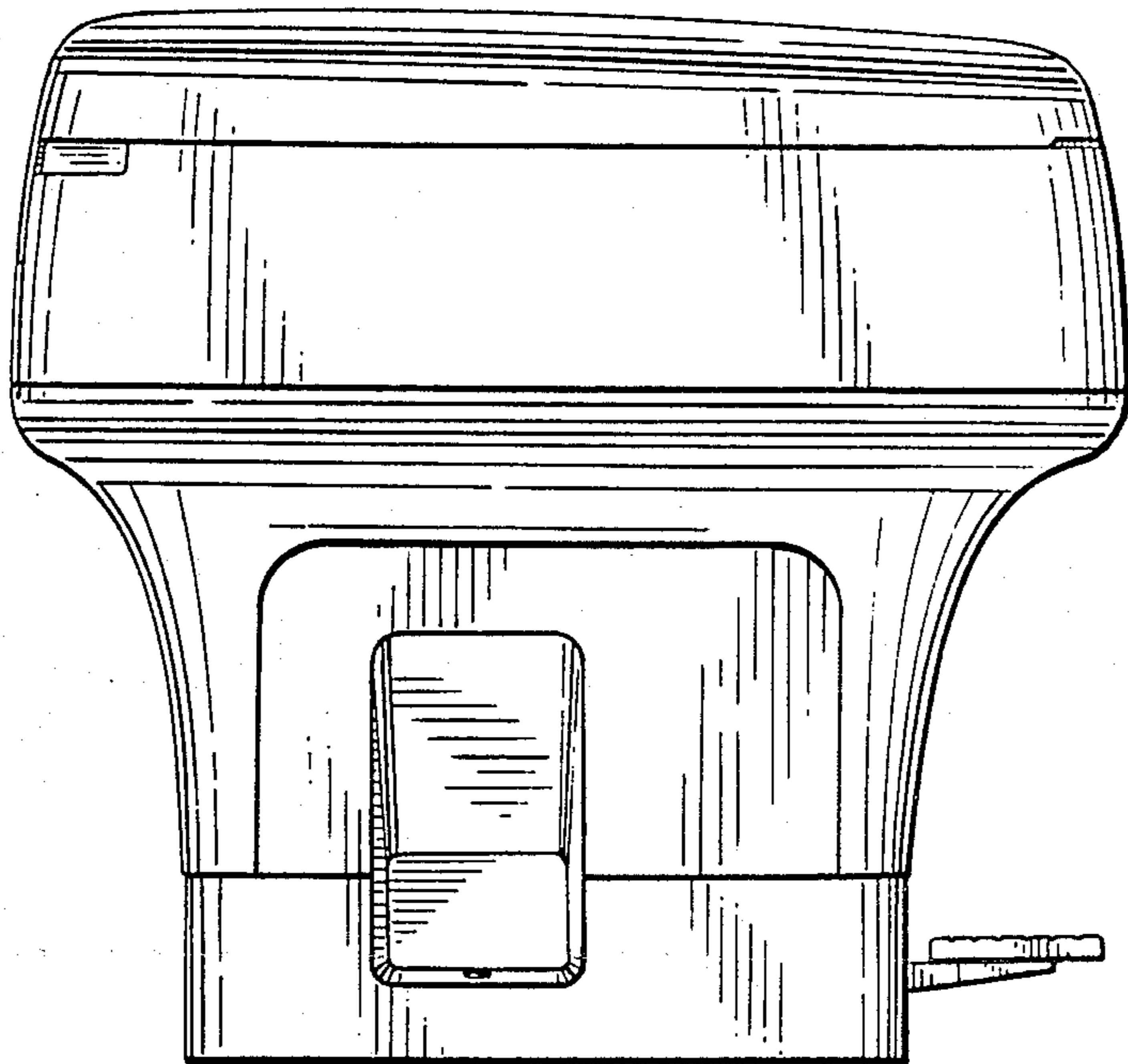


FIG. 5

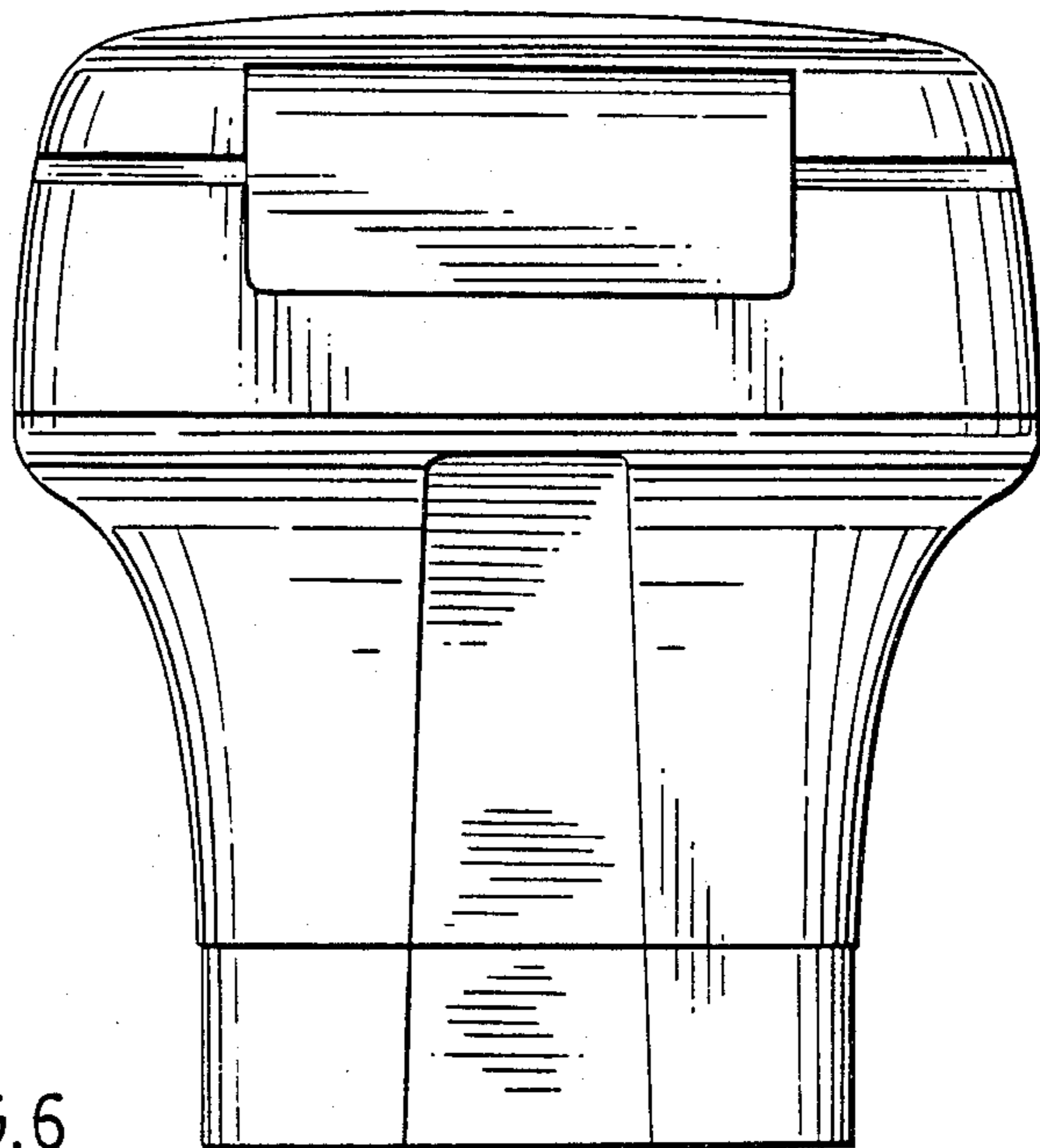


FIG. 6

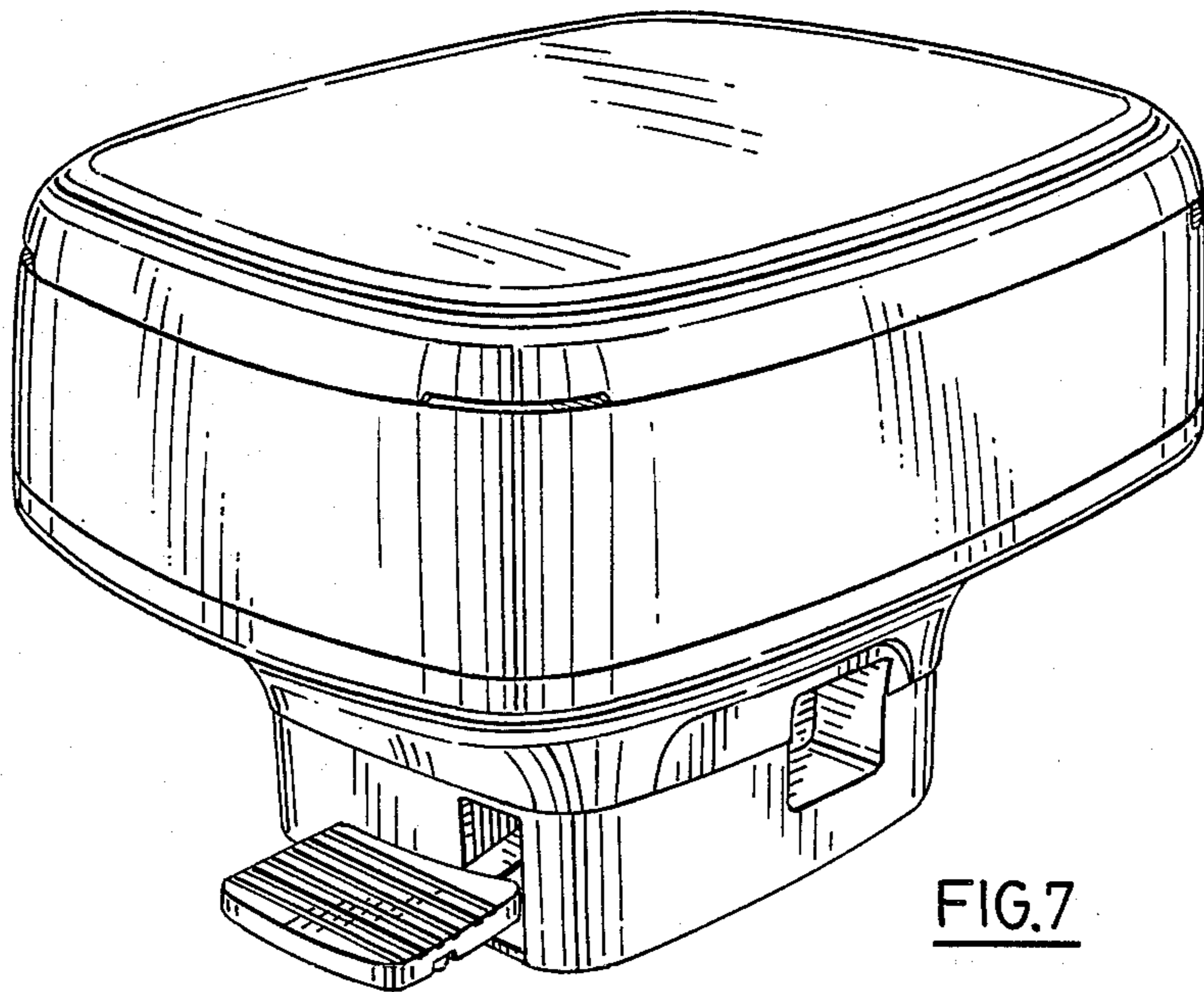


FIG. 7

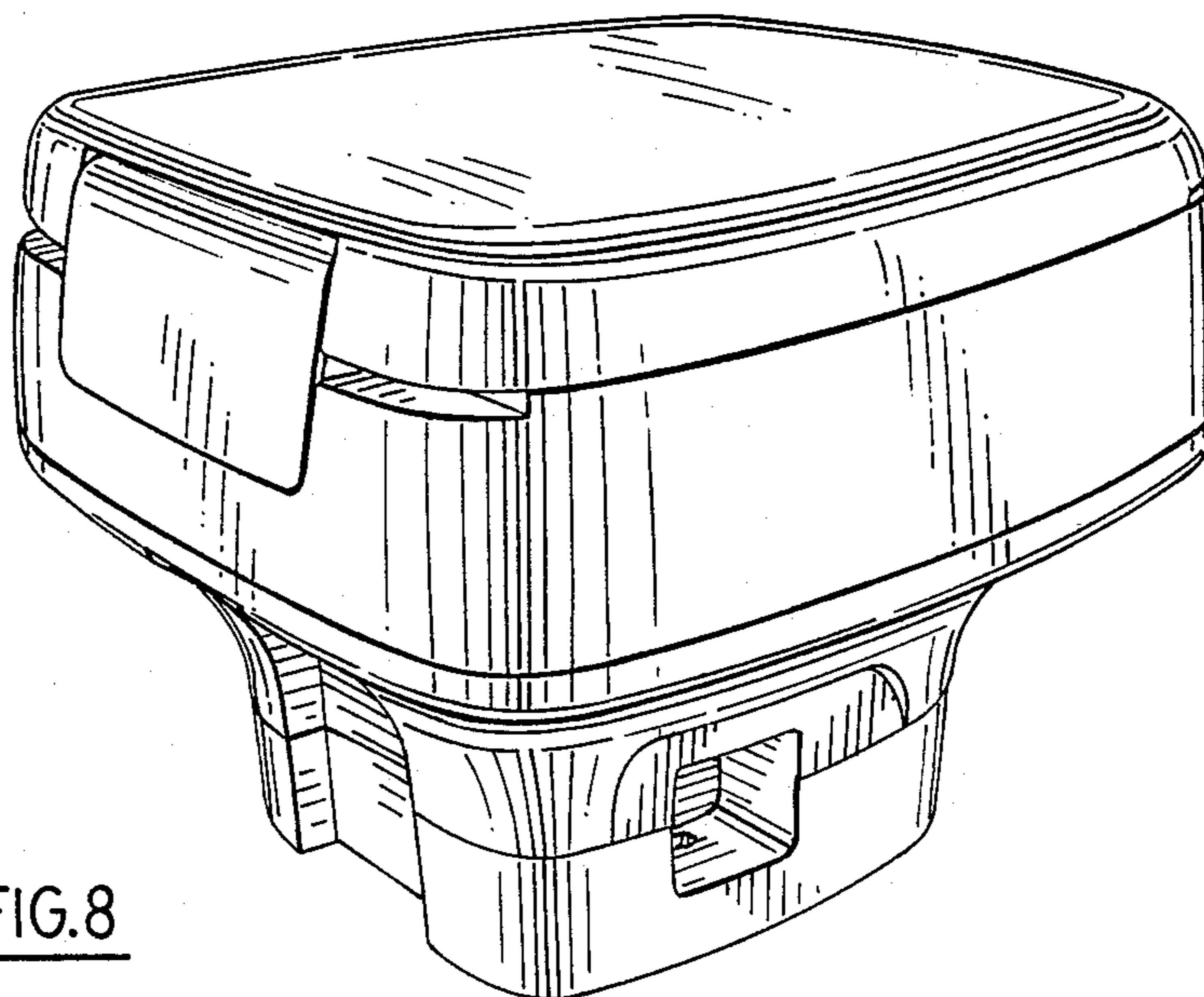


FIG. 8

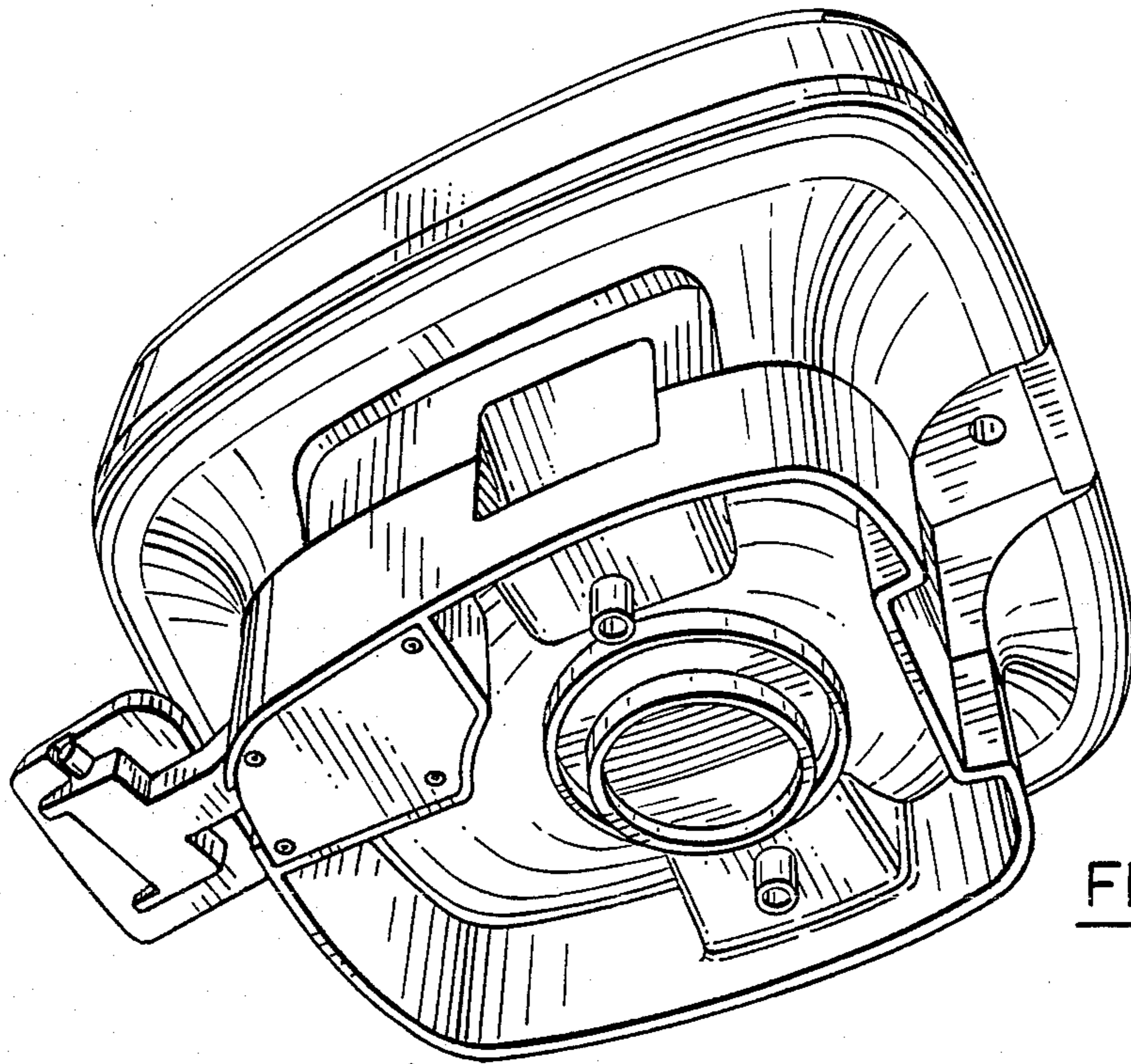


FIG. 9

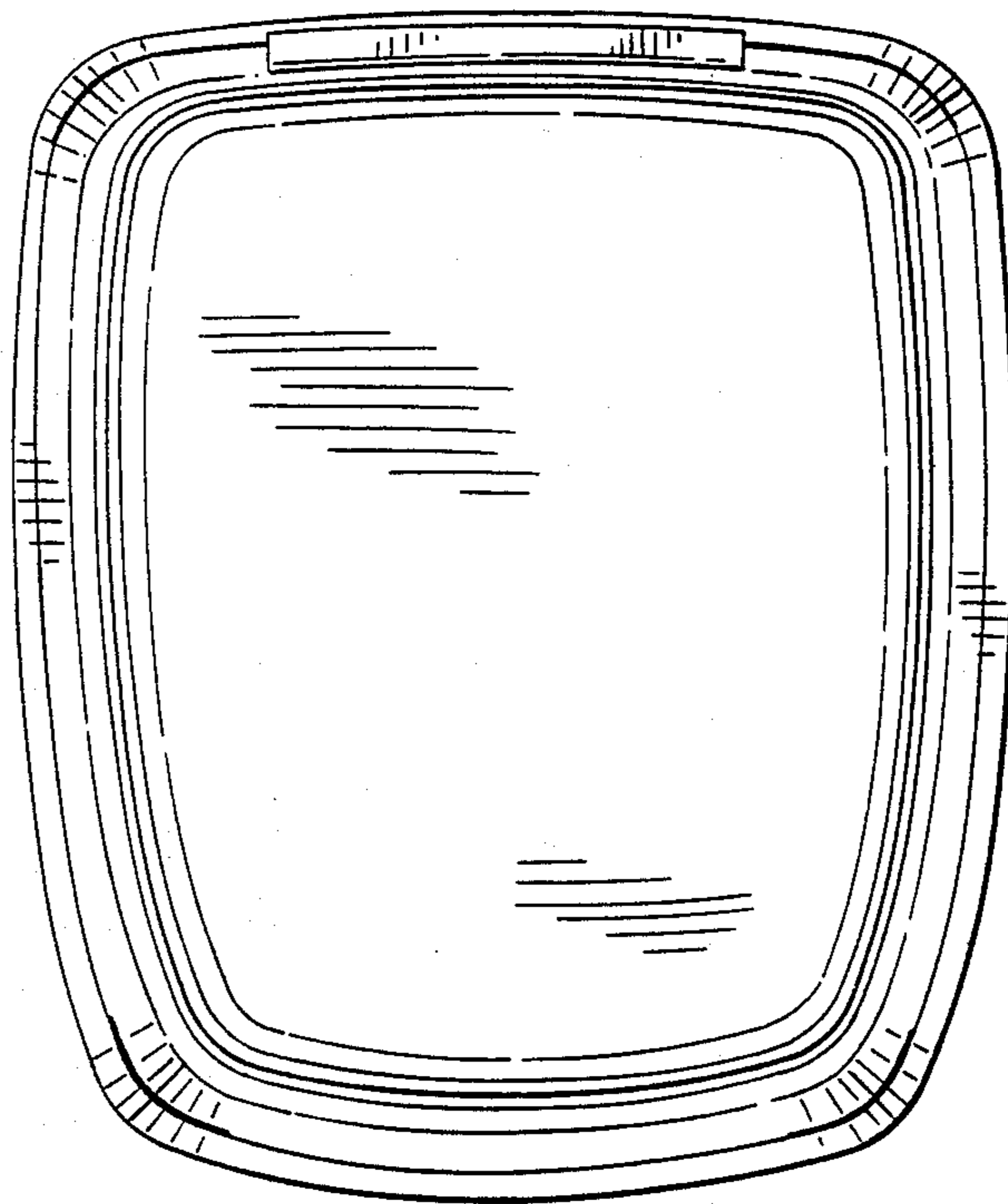


FIG. 10

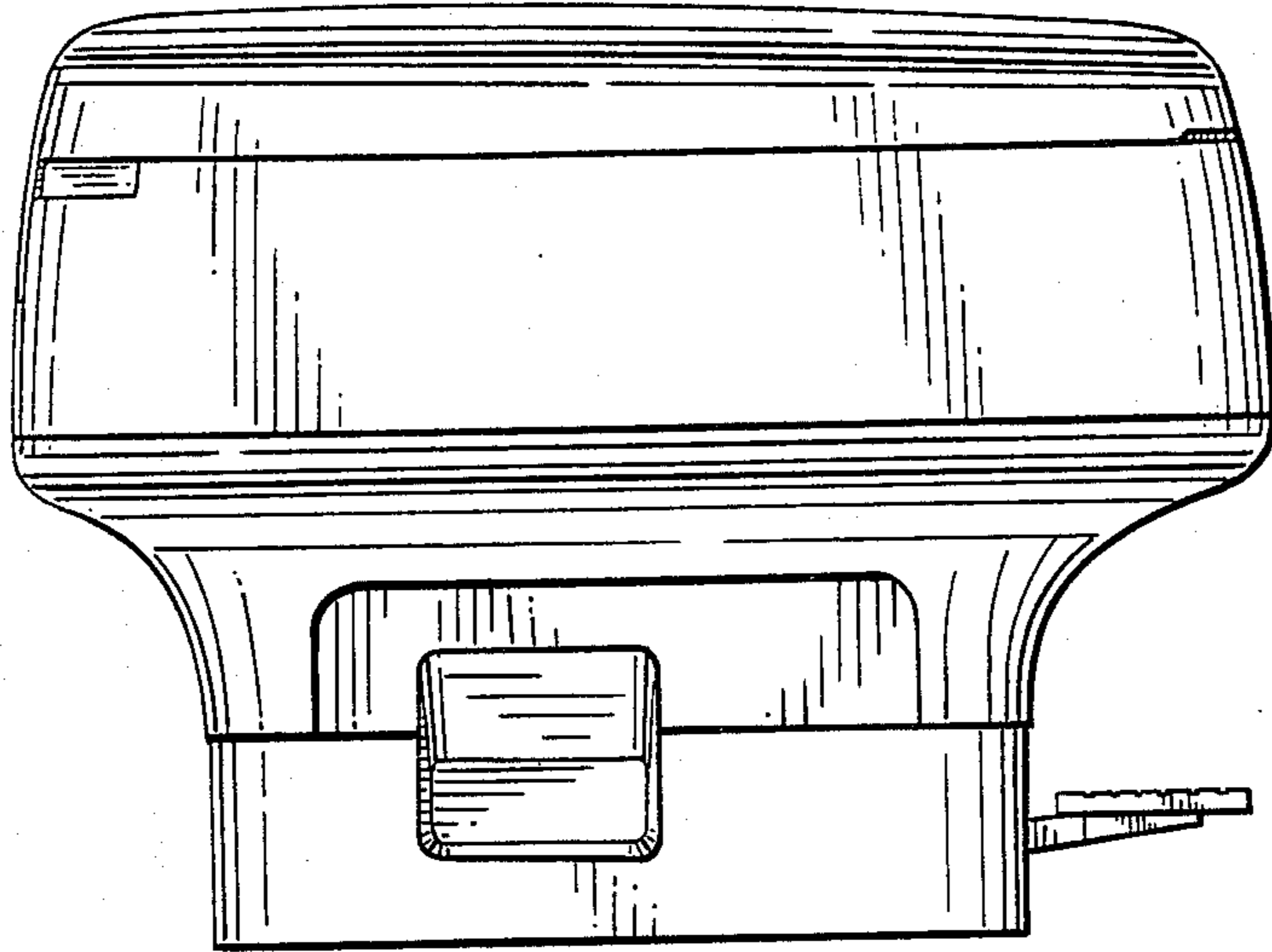


FIG. 11

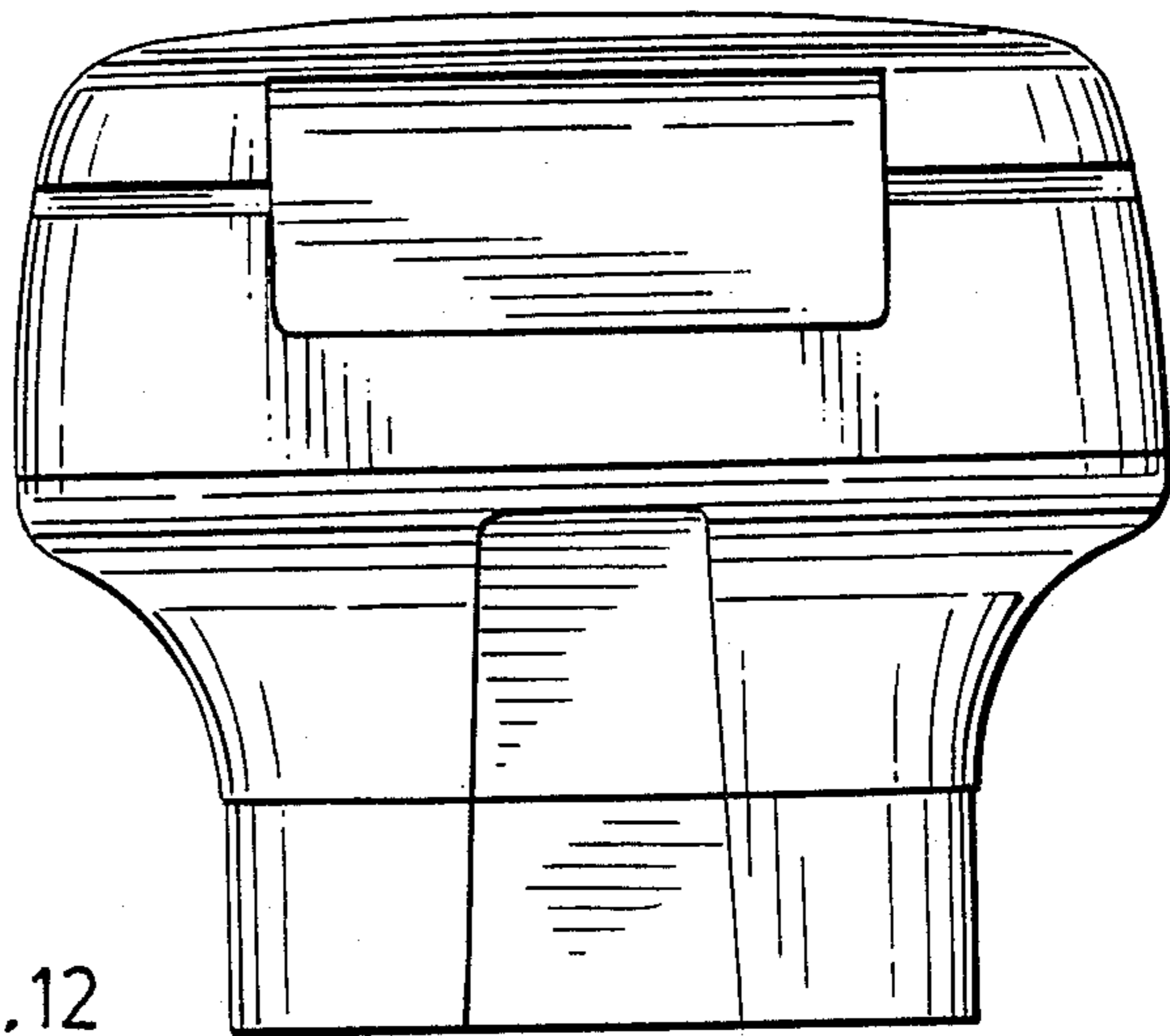


FIG. 12