

United States Patent [19]

Hughes

[11] Patent Number: **Des. 304,070**

[45] Date of Patent: **** Oct. 17, 1989**

[54] **SHUT-OFF VALVE FOR SPECIALTY GASES**

[76] Inventor: **Richard E. Hughes, 821 Loma Dr.,
Hermosa Beach, Calif. 90254**

[**] Term: **14 Years**

[21] Appl. No.: **844,766**

[22] Filed: **Mar. 17, 1986**

[52] U.S. Cl. **D23/245**

[58] Field of Search **D23/233-237,
D23/244-249; 137/460, 462, 625.47**

[56] **References Cited**

U.S. PATENT DOCUMENTS

D. 287,043 12/1986 Hughes D23/248
D. 287,044 12/1986 Hughes D23/248
2,468,674 4/1949 Leonard 137/625.47 X
3,750,704 8/1973 Burke et al. 137/625.47

3,771,765 11/1973 Scapes 137/625.47 X
3,774,604 11/1973 Danielsson 137/625.47 X

Primary Examiner—James R. Largen
Attorney, Agent, or Firm—Cislo & Thomas

[57] **CLAIM**

The ornamental design for a shut-off valve for specialty gases, as shown and described.

DESCRIPTION

FIG. 1 is a perspective view of a shut-off valve for specialty gases showing my new design; FIG. 2 is a bottom plan view thereof; FIG. 3 is a right side elevational view thereof; FIG. 4 is a left side elevational view thereof; FIG. 5 is a top plan view thereof; FIG. 6 is a rear elevational view thereof; and FIG. 7 is a front elevational view thereof.

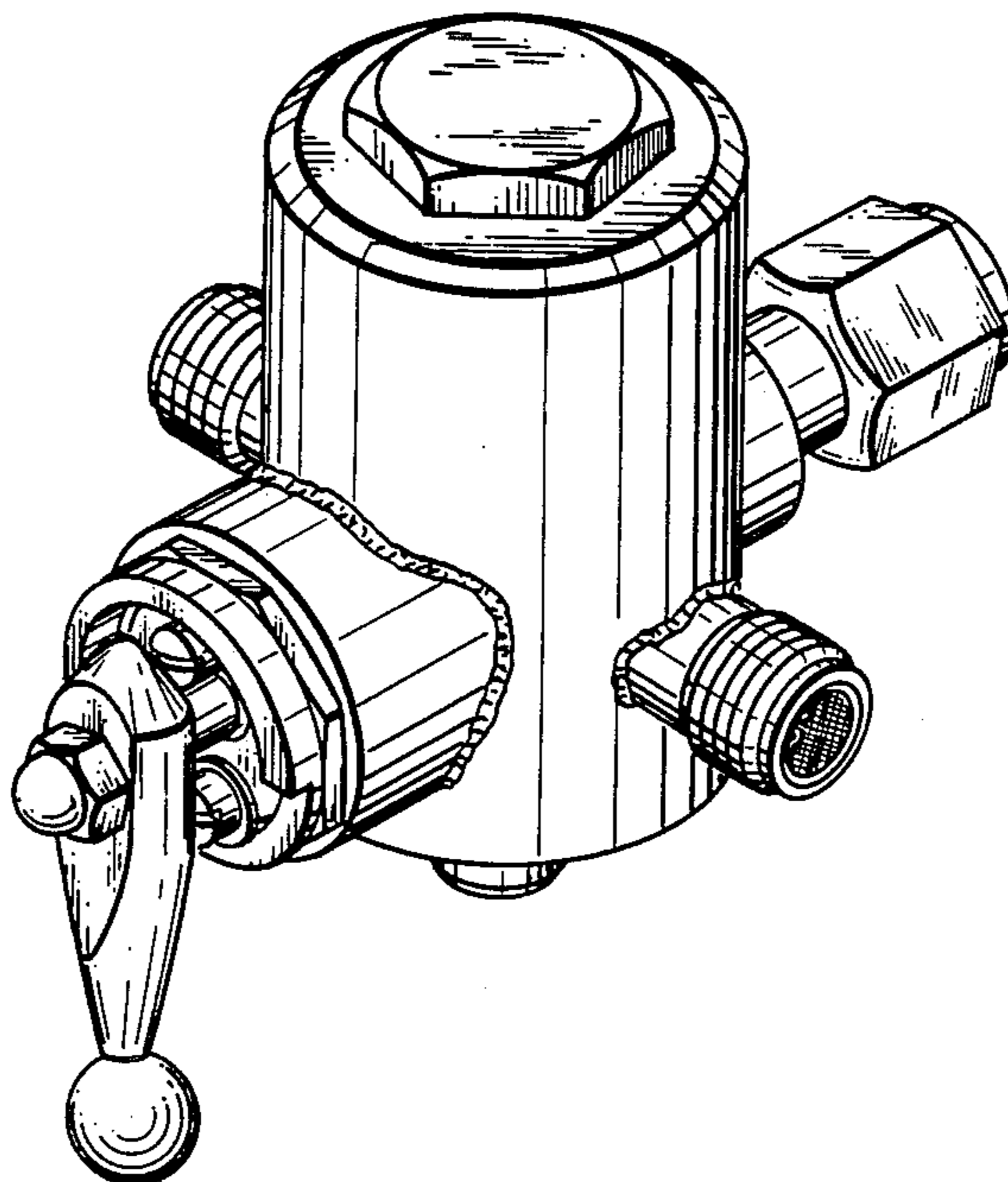


Fig. 1.

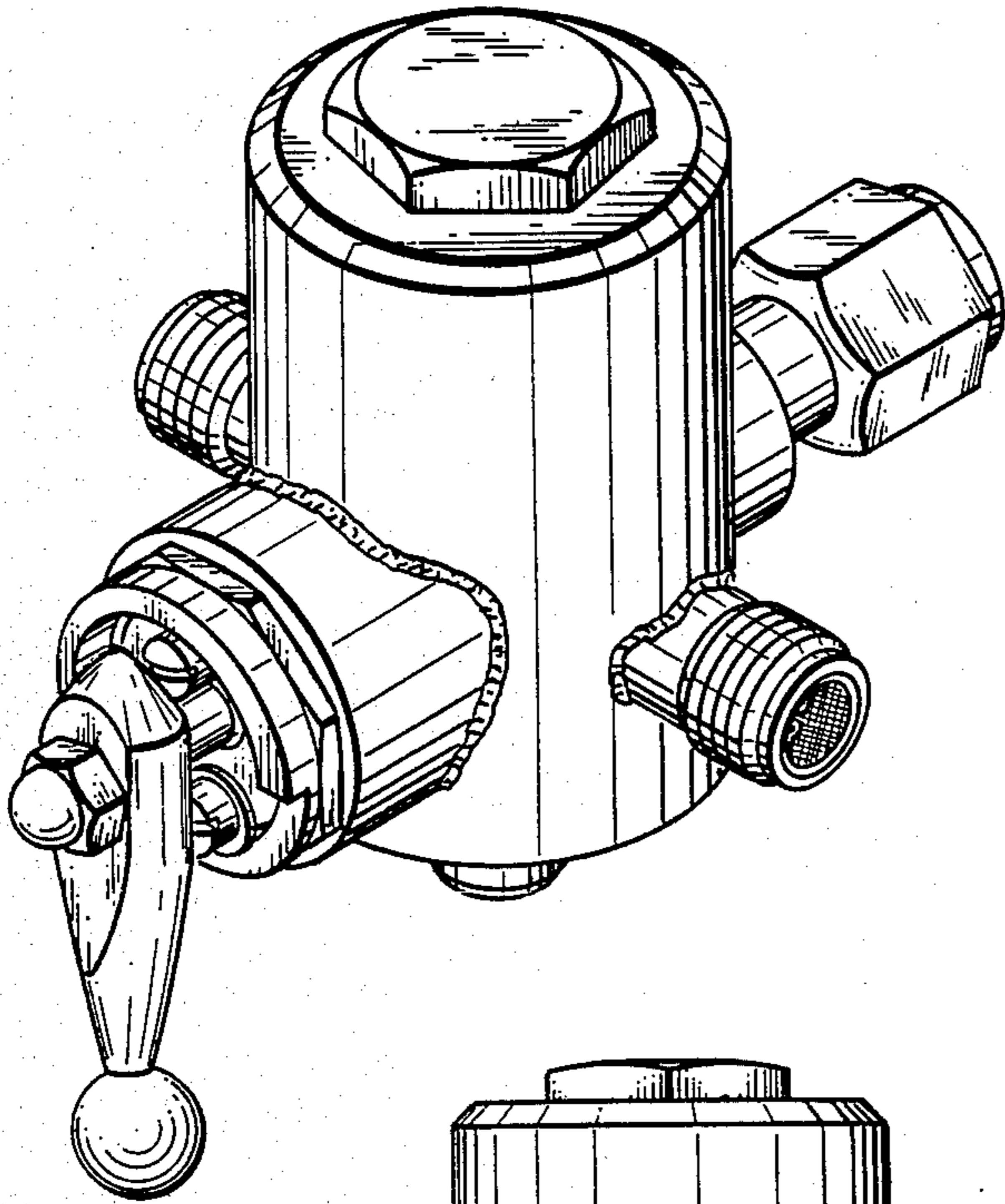


Fig. 2.

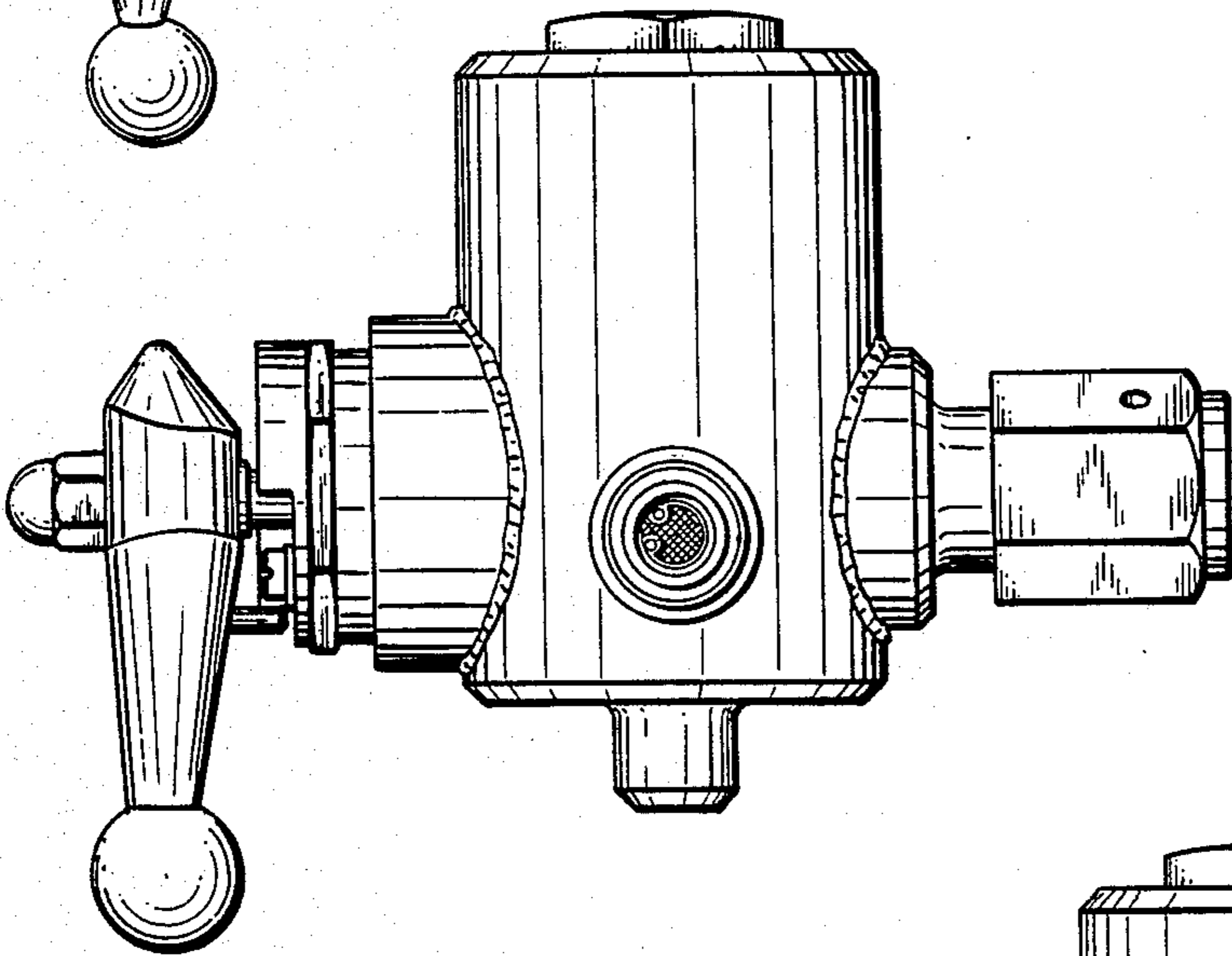
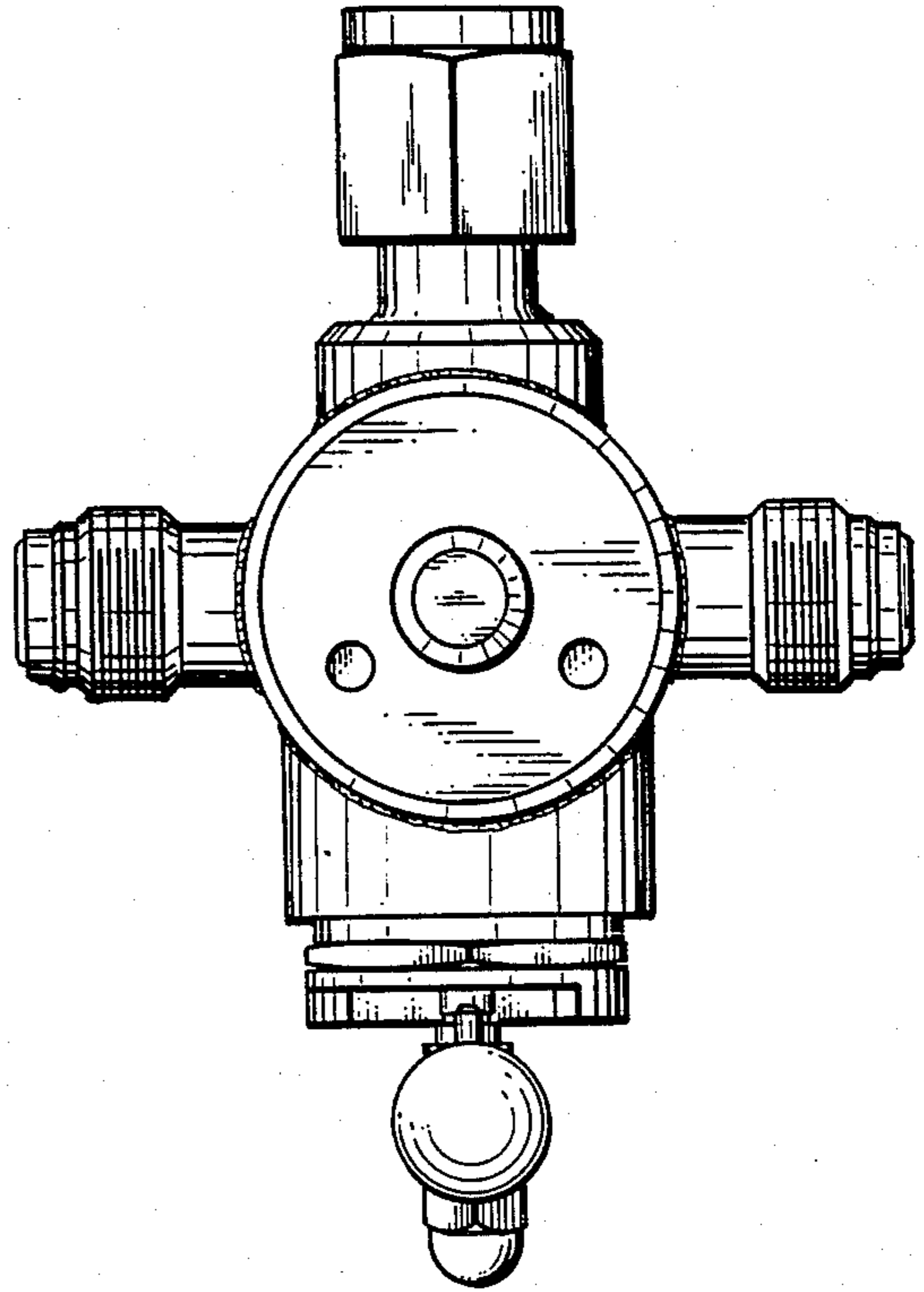


Fig. 3.

Fig. 4.

