

[54] **FAUCET HANDLE**

[75] **Inventors:** **Andreas Haug, Altensteig; Thomas Schönherr, Egenhausen, both of Fed. Rep. of Germany**

[73] **Assignee:** **Hans Grohe GmbH & Co. KG, Fed. Rep. of Germany**

[\*\*] **Term:** **14 Years**

[21] **Appl. No.:** **25,863**

[22] **Filed:** **Mar. 16, 1987**

[30] **Foreign Application Priority Data**

Sep. 18, 1986 [DE] Fed. Rep. of Germany ... MR12680B

[52] **U.S. Cl.** ..... **D23/243**

[58] **Field of Search** ..... **D23/233-254; 4/191-192; 137/801**

[56] **References Cited**

**U.S. PATENT DOCUMENTS**

D. 176,447	12/1955	Cohen	.....	D23/243
D. 185,503	6/1959	Kohler	.....	D23/238
D. 248,272	6/1978	Grambush	.....	D8/307
D. 250,272	11/1978	Jones	.....	D23/241
D. 276,746	12/1984	Hill	.....	D23/250
D. 282,197	1/1986	Hu	.....	D23/241
D. 284,302	6/1986	Hammarstedt	.....	D23/241
D. 287,045	12/1986	Yost	.....	D23/250
D. 290,641	6/1987	Joerger	.....	D23/254
D. 294,168	2/1988	Fabian	.....	D23/250 X
D. 294,631	3/1988	Bourbon	.....	D23/241

**OTHER PUBLICATIONS**

- Eichelberg Brochure, "Klassische Armaturen. Robinetterie Classique, Sanitary Fittings", 1984.
- Rubinetteria F.lli Nolli Brochure, "Algol", 1985.
- Goswin Brochure, "Trident De Luxe", 1985.
- Rubinetterie. F.lli Fantini Brochure, "Ibalocchi Rubinetti", 1986.
- Kaut & Janke Brochure, "Kaja Ariane", 1985.
- Masco Plumbing Group Brochure, "Damixa", 1986.
- Wico Brochure, "Jetline Die Form Folgt Der Funktion", 1985.
- Mamoli Robinetteria S.p.A. Brochure, "Prima", 1985.
- Rubinetterie Ottone & Meloda Brochure, "Azzurra", 1985.
- Zucchetti Rubinetteria, S.p.A. Brochure, "Coriandoli Zeta 84", 1985.
- Kugler Brochure, "Die Stille Der Sahara in Den (Kugler)-Armaturen", 1985.

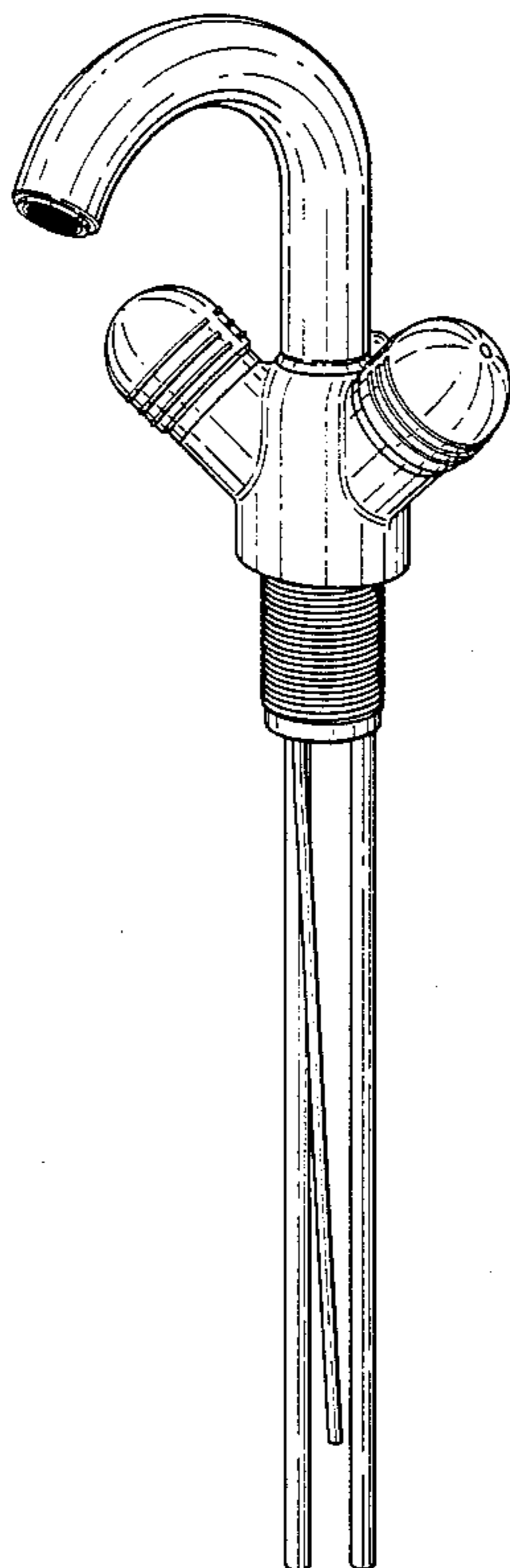
*Primary Examiner*—James R. Largen  
*Attorney, Agent, or Firm*—Steele, Gould & Fried

[57] **CLAIM**

The ornamental design for a faucet handle, as shown and described.

**DESCRIPTION**

FIG. 1 is a perspective view taken from the top, front and right side of a faucet showing our new design;  
 FIG. 2 is a front elevational view thereof;  
 FIG. 3 is a top plan view thereof;  
 FIG. 4 is a left side elevational view thereof;  
 FIG. 5 is a rear elevational view thereof;  
 FIG. 6 is a bottom plan view thereof;  
 FIG. 7 is another top plan view thereof showing the spout in a swiveled position.



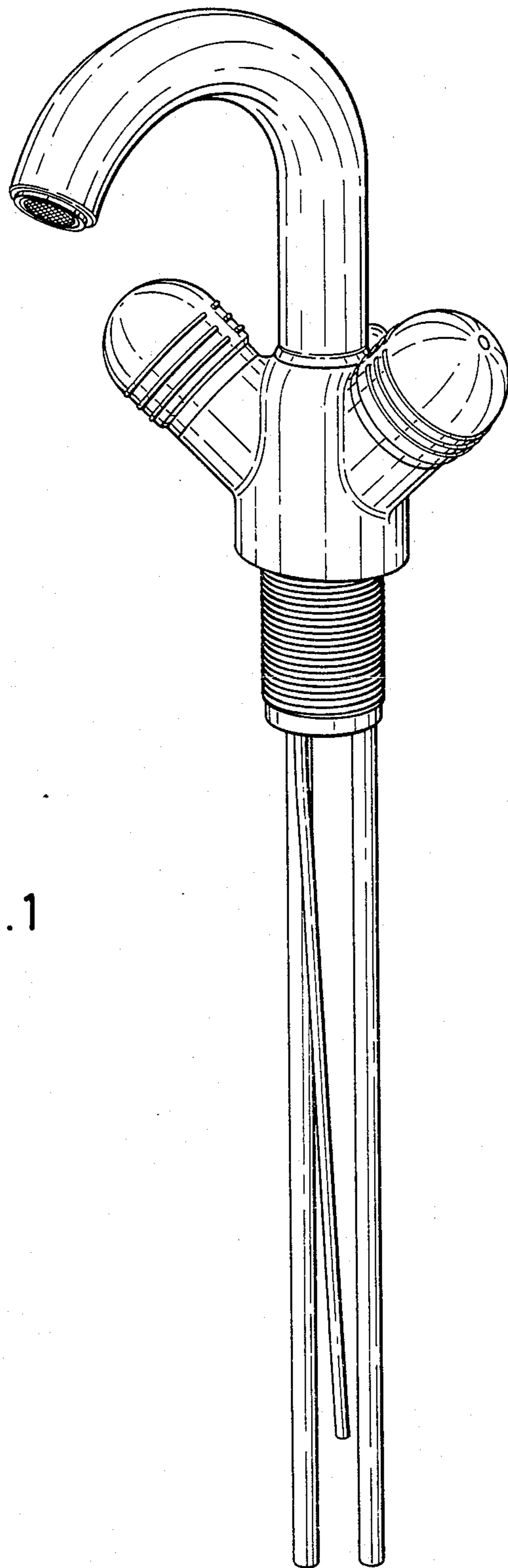


FIG. 1

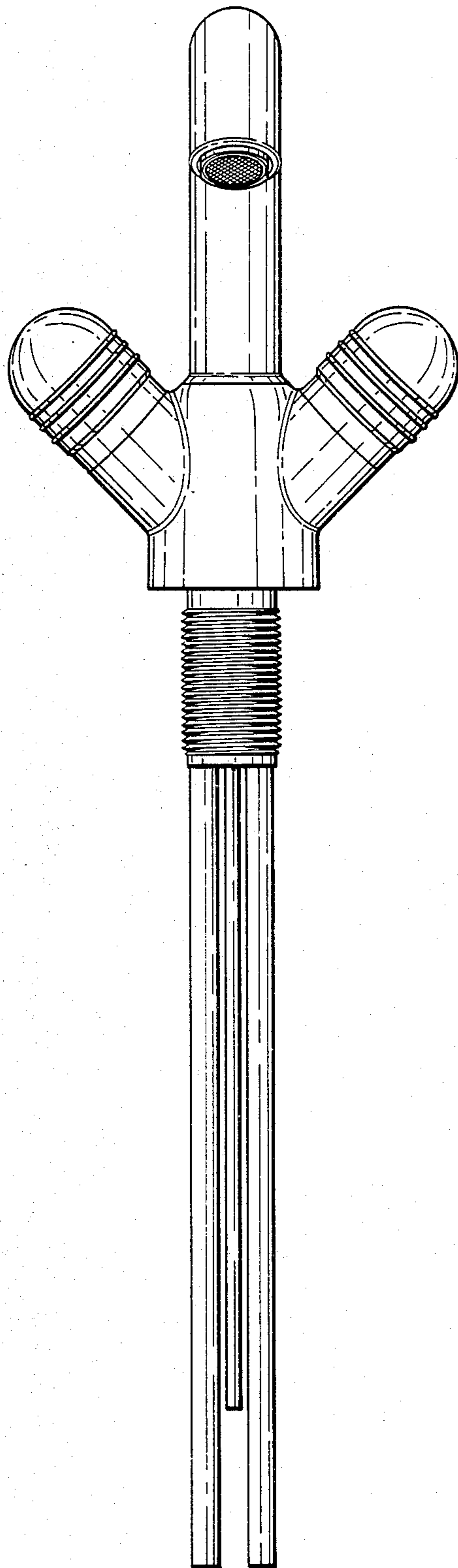


FIG. 2

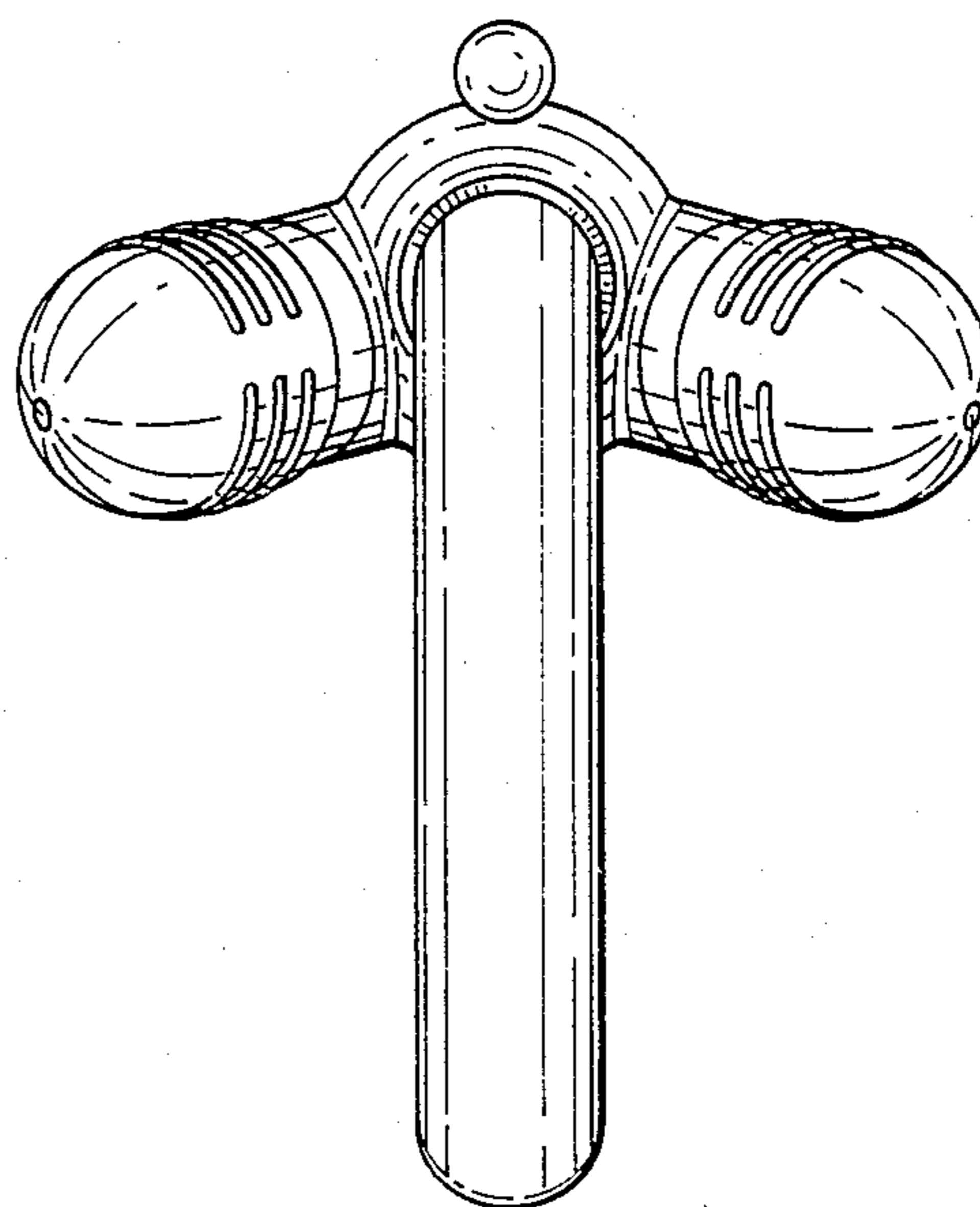


FIG. 3

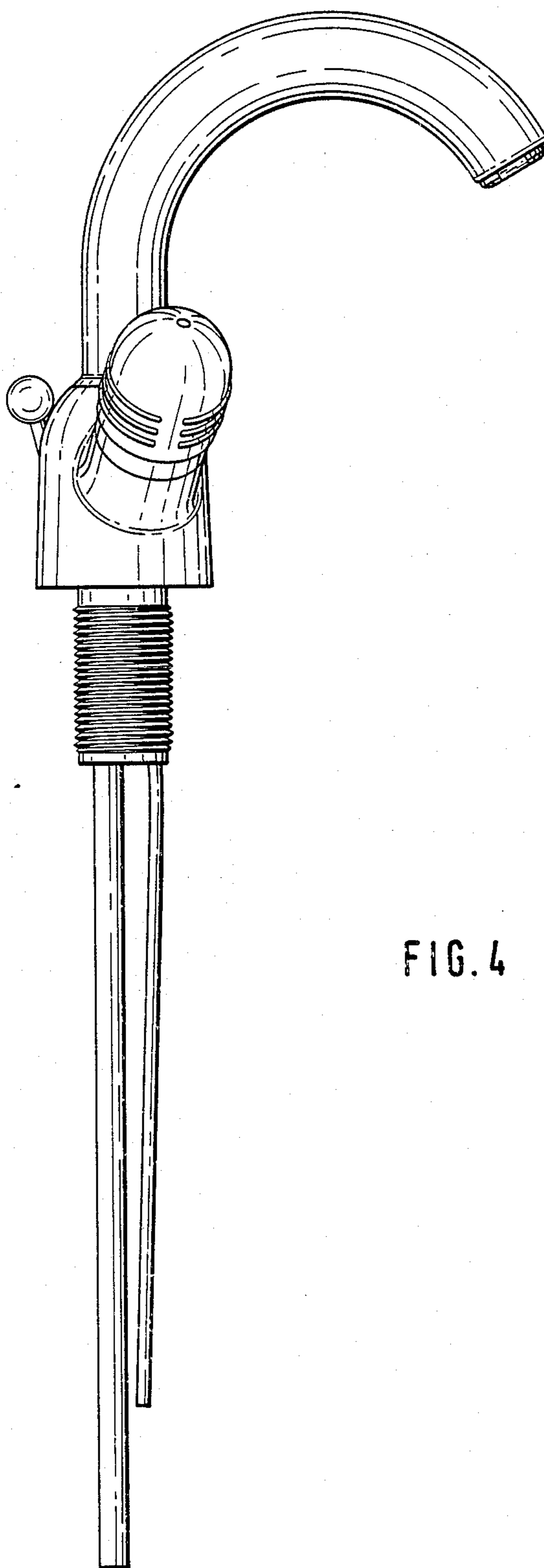


FIG. 4

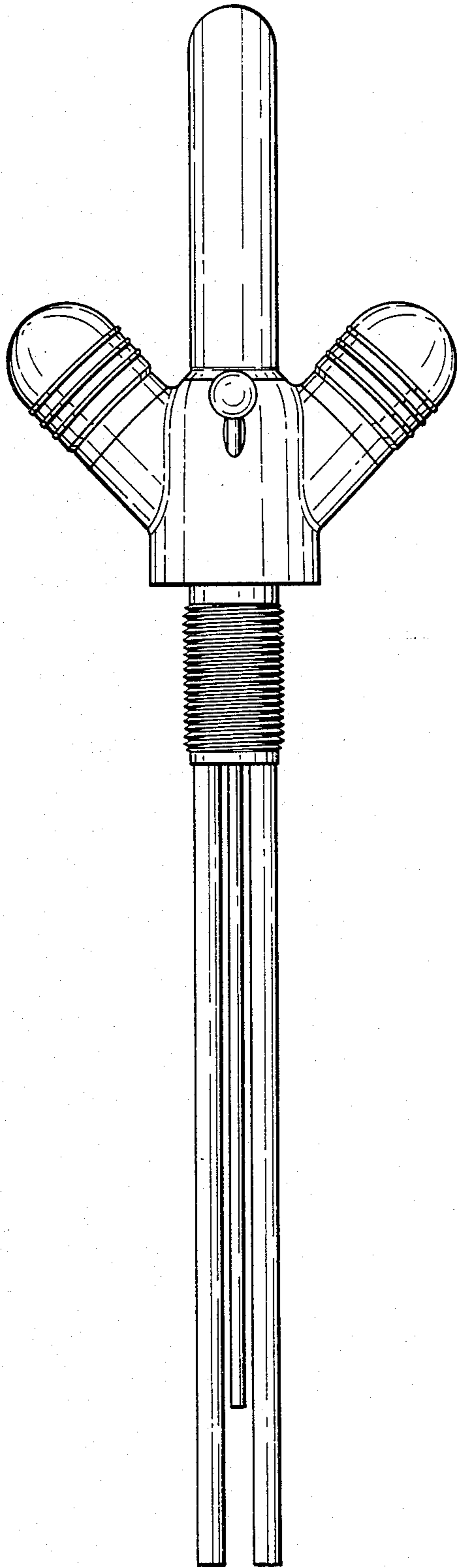


FIG. 5

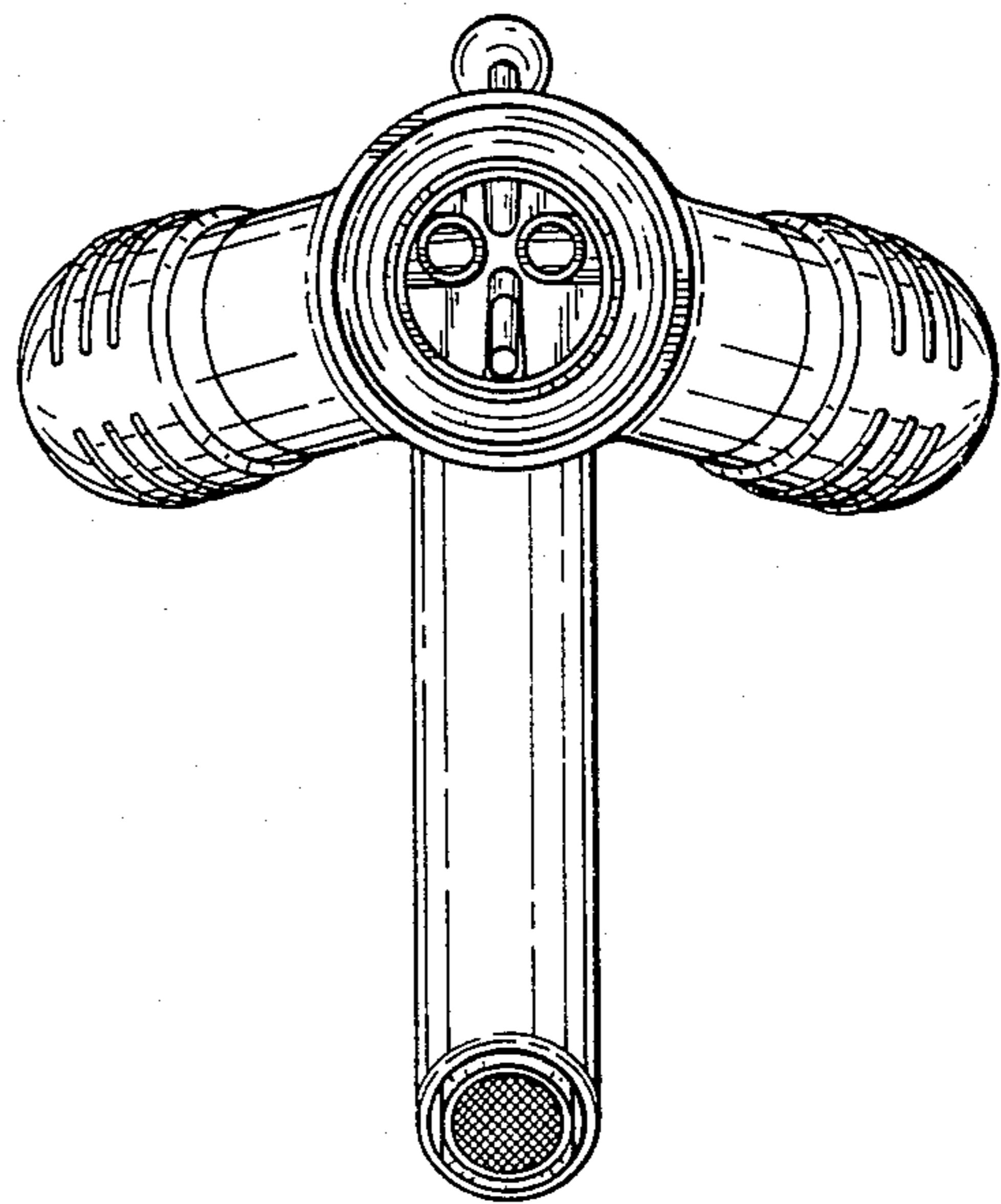


FIG. 6

FIG. 7

