

[54] **FISHING REEL**

[75] **Inventor: Robert E. Haynes, Foley, Ala.**

[73] **Assignee: Lew Childre & Sons, Inc., Foley, Ala.**

[**] **Term: 14 Years**

[21] **Appl. No.: 287,594**

[22] **Filed: Dec. 19, 1988**

Related U.S. Application Data

[63] **Continuation of Ser. No. 760,665, Jul. 30, 1985, abandoned.**

[52] **U.S. Cl. D22/141**

[58] **Field of Search D22/141; 242/84.1 R,
242/84.2 R, 84.2 A**

[56] **References Cited**

U.S. PATENT DOCUMENTS

D. 254,091 1/1980 Jansson et al. D22/141
D. 257,169 9/1980 Elie D22/141
D. 269,030 5/1983 Hiraishi et al. D22/141

Primary Examiner—A. Hugo Word
Attorney, Agent, or Firm—Lockwood, Alex, FitzGibbon & Cummings

[57] **CLAIM**

The ornamental design for a fishing reel, as shown and described.

DESCRIPTION

FIG. 1 is a perspective view of a fishing reel showing my new design.

FIG. 2 is an elevational view of one side thereof.

FIG. 3 is a front elevational view thereof.

The integer eight (8) is a broken line illustration and is not a part of the design sought to be patented.

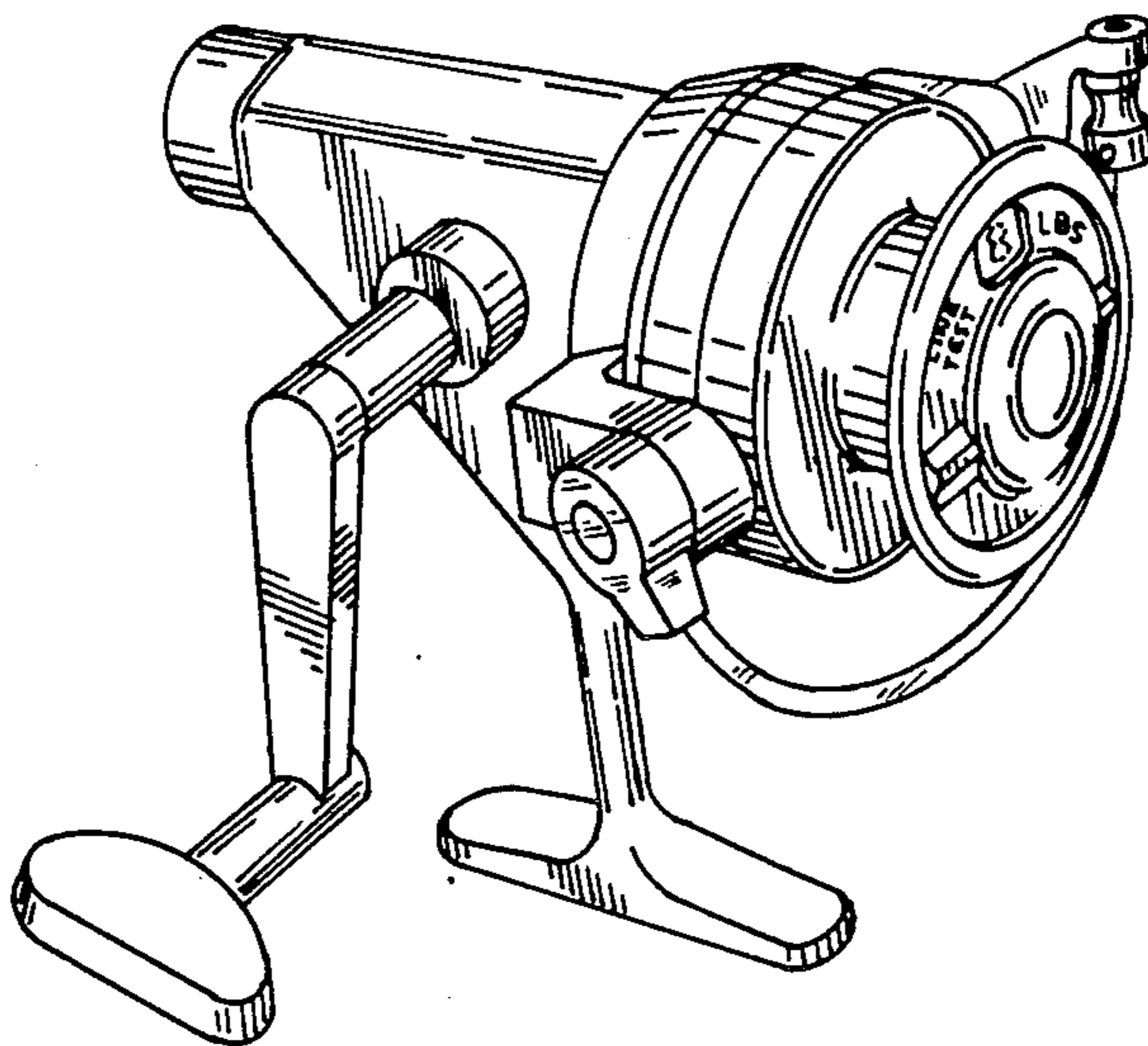


FIG. 1

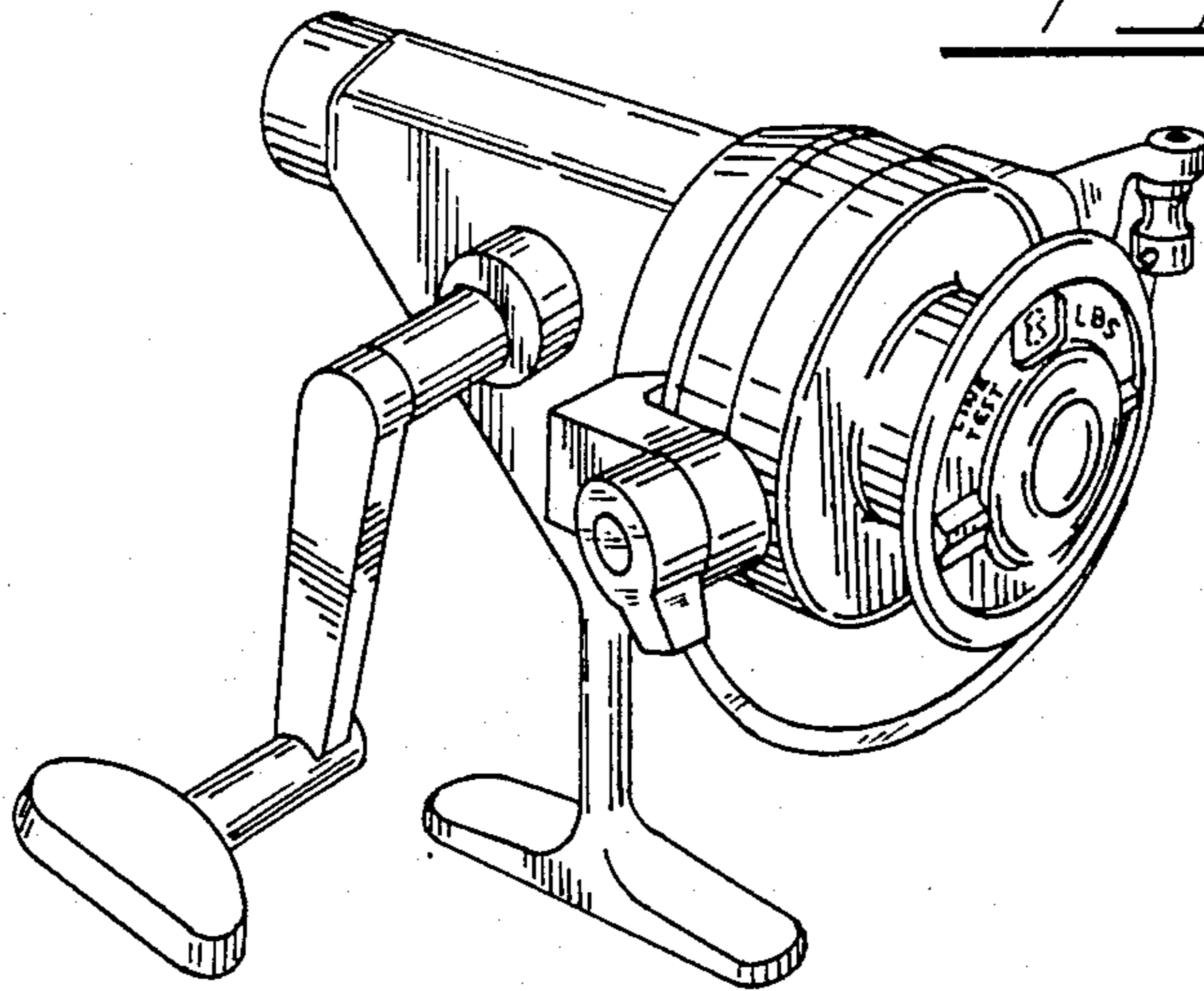


FIG. 2

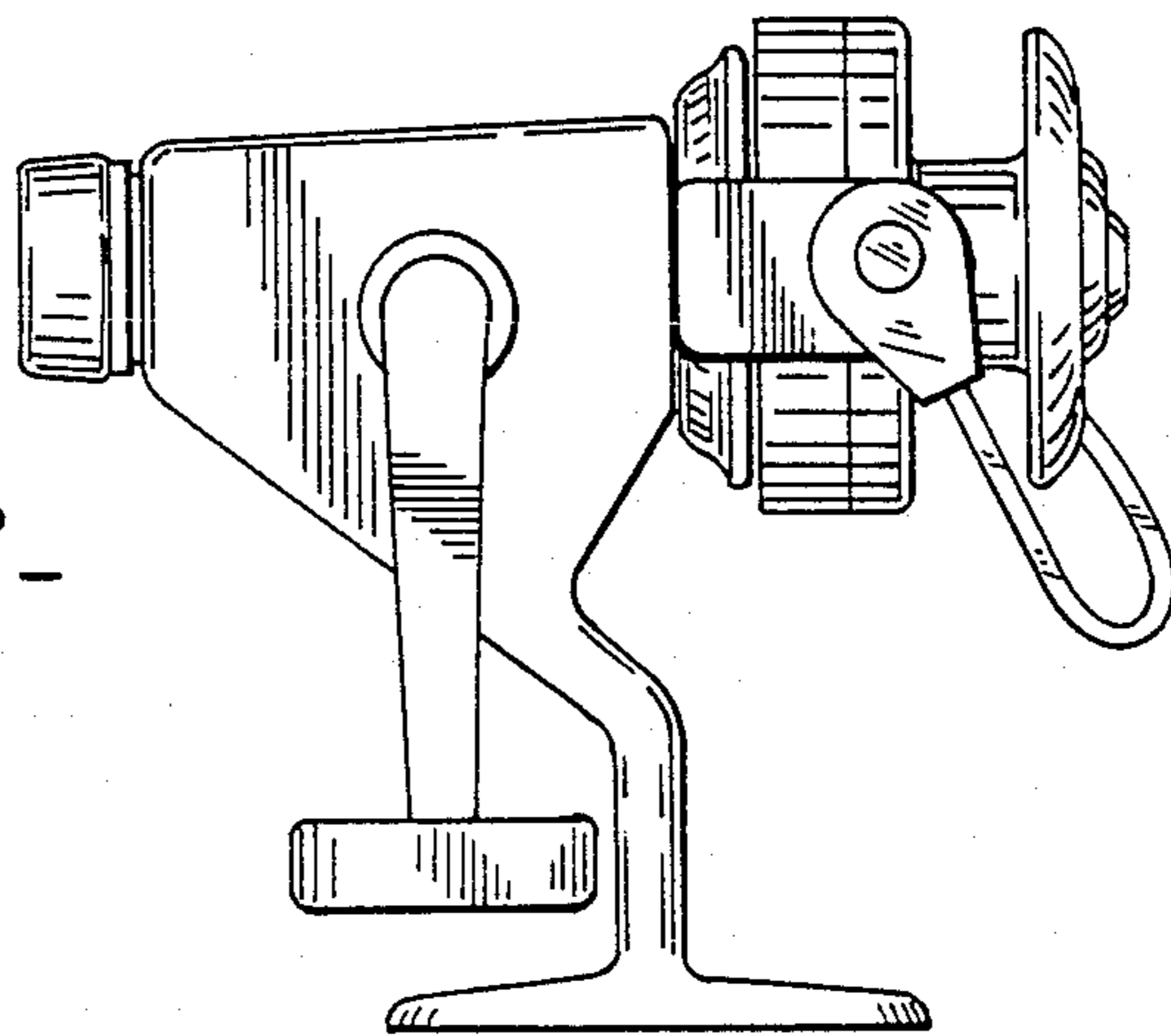


FIG. 3

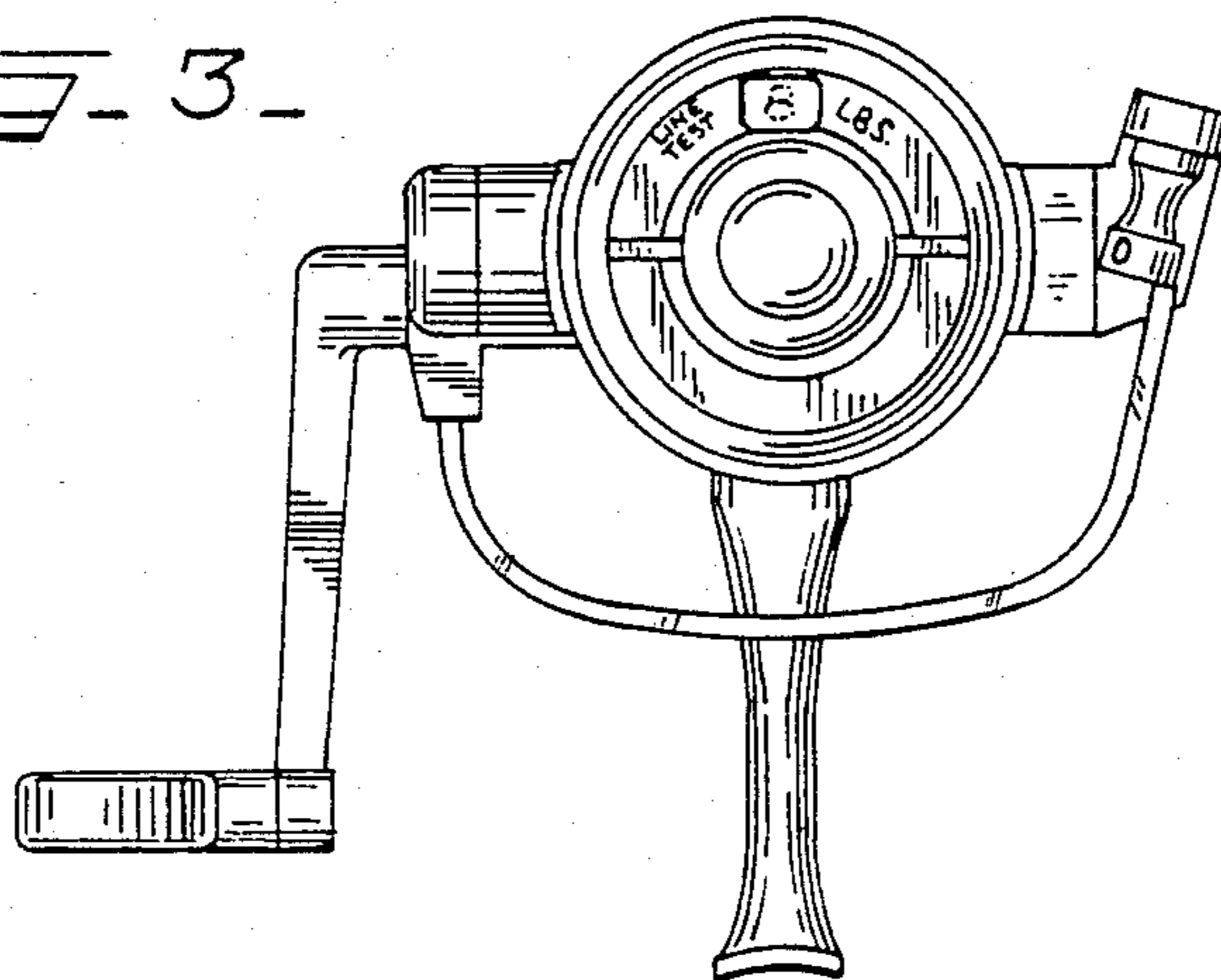


FIG. 4

