

# United States Patent [19]

Story et al.

[11] Patent Number: Des. 304,063

[45] Date of Patent: \*\* Oct. 17, 1989

[54] SELF DEFENSE WEAPON OR SIMILAR ARTICLE

4,160,369 7/1979 Pearson ..... 273/84 R

[76] Inventors: Oscar R. Story; Carol A. Story, both of 700 Richards Lake Rd., Fort Collins, Colo. 80524

[\*\*] Term: 14 Years

[21] Appl. No.: 66,652

[22] Filed: Jun. 26, 1987

[52] U.S. Cl. .... D22/117

[58] Field of Search ..... D22/117; 411/104, 110, 411/205, 446, 456, 451, 484, 509, 510, 908; 70/336, 344, 351, 402, 411; D8/347, 348, 83, 14; 273/84 R

[56] References Cited

### U.S. PATENT DOCUMENTS

2,741,025 4/1956 Stewart ..... 273/84 R

### OTHER PUBLICATIONS

Knives & Knife Makers Handbook, p. 110, center item, Lathom, ©1973.

Automotive News, p. 7, item Ford Fairlane, ©1963.

Primary Examiner—A. Hugo Word

Assistant Examiner—Doris Clark

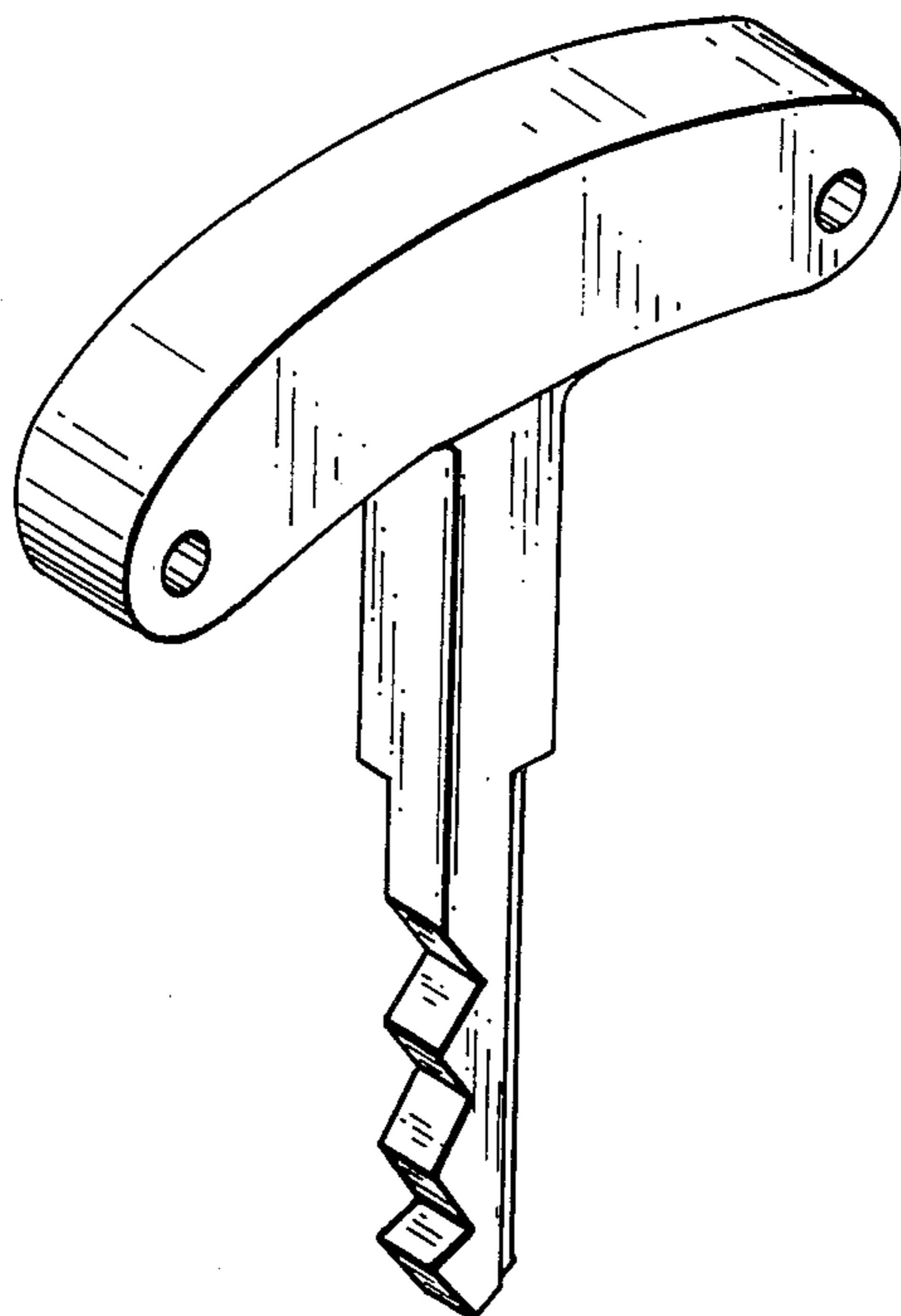
Attorney, Agent, or Firm—Luke Santangelo

[57] CLAIM

The ornamental design for a self defense weapon or similar article, as shown and described.

### DESCRIPTION

FIG. 1 is a perspective view of a self defense weapon or similar article showing my new design; FIG. 2 is a front elevational view thereof; FIG. 3 is a rear elevational view thereof; and, FIG. 4 is a side elevational view thereof.



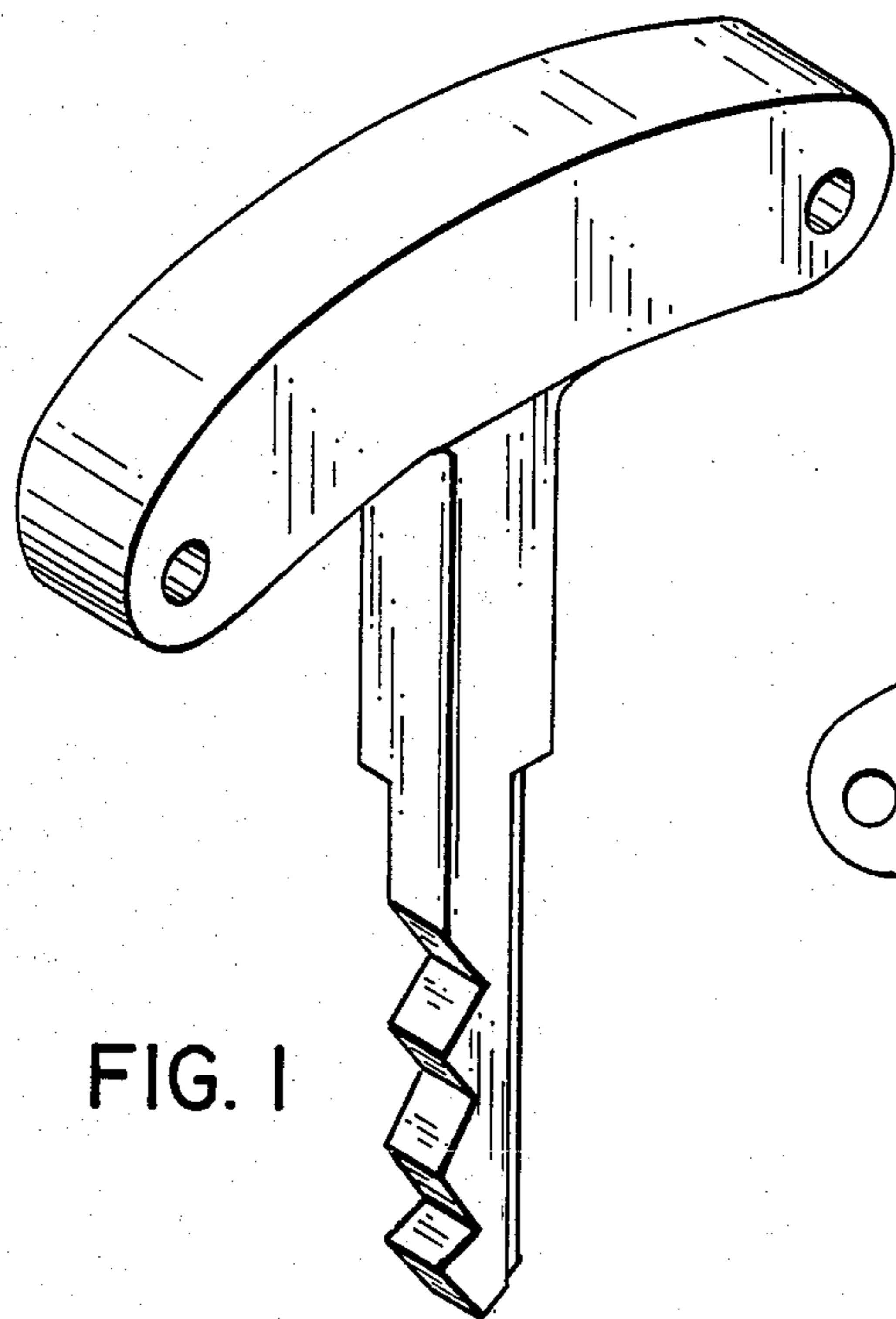


FIG. 1

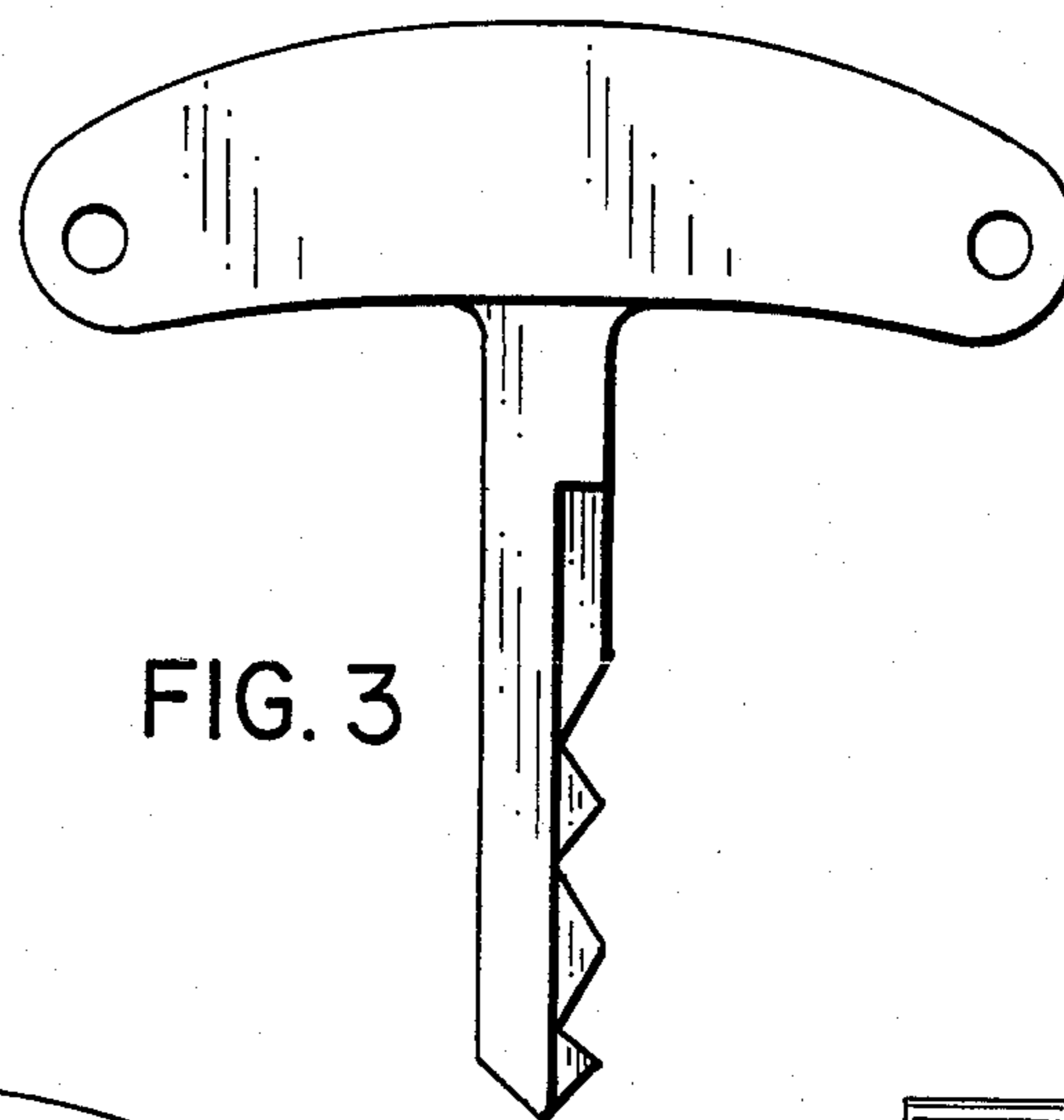


FIG. 3

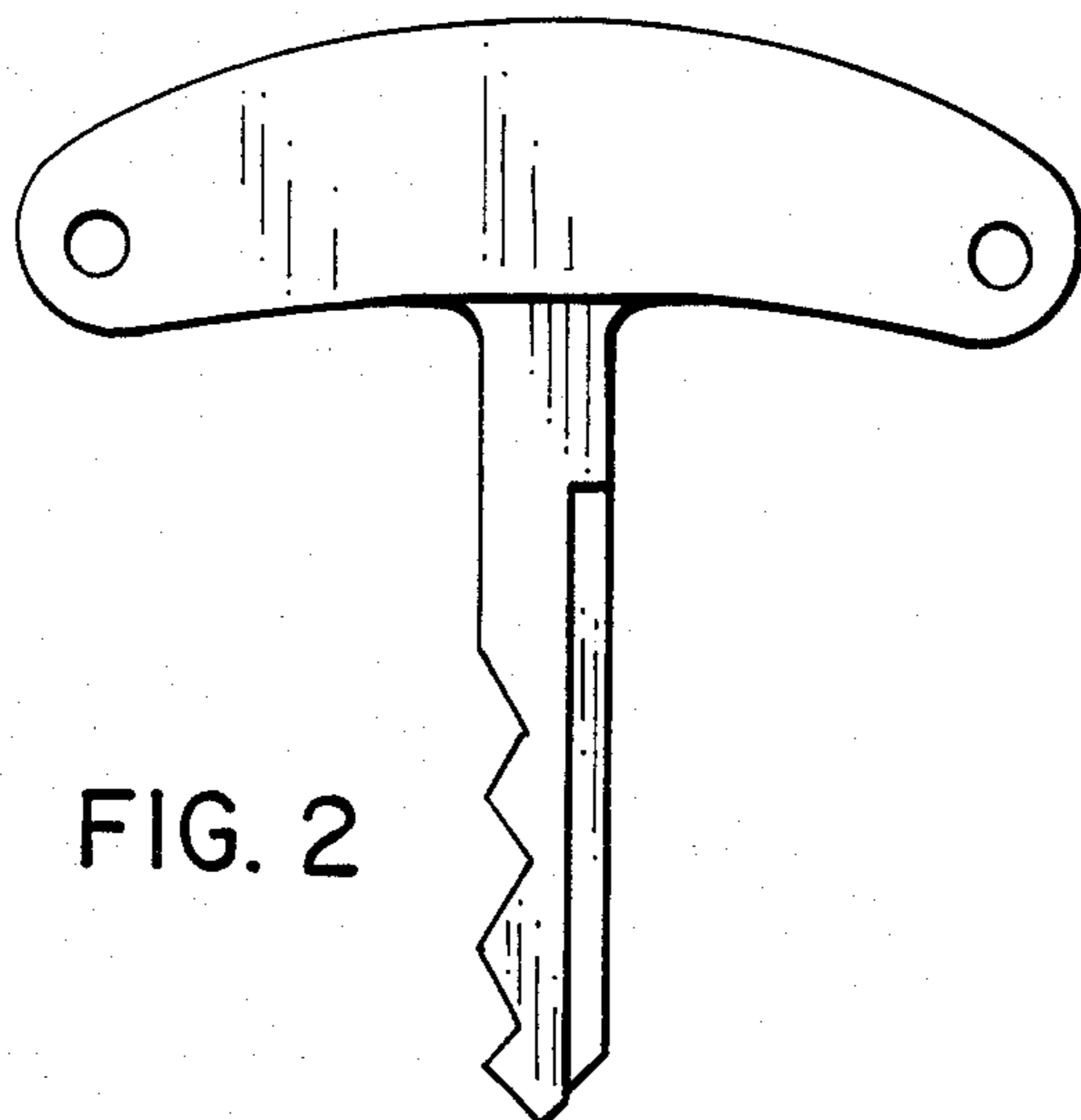


FIG. 2



FIG. 4