

[54] **SEMI-AUTOMATIC RIFLE**

[76] **Inventor: Ronnie G. Barrett, P.O. Box 1077, Murfreesboro, Tenn. 37130**

[\*\*] **Term: 14 Years**

[21] **Appl. No.: 126,295**

[22] **Filed: Nov. 27, 1987**

[52] **U.S. Cl. .... D22/103**

[58] **Field of Search ..... D22/103, 108; 89/125, 89/126, 132, 140**

[56] **References Cited**

**U.S. PATENT DOCUMENTS**

D. 189,669	1/1961	Leek et al. ....	D22/103
D. 251,979	5/1979	Hance .....	D22/103
3,198,076	8/1965	Stoner .....	89/33.01
4,112,817	9/1978	Bourlet .....	89/33.1
4,522,106	6/1985	Sullivan .....	89/140

*Primary Examiner—A. Hugo Word*  
*Assistant Examiner—Doris Clark*

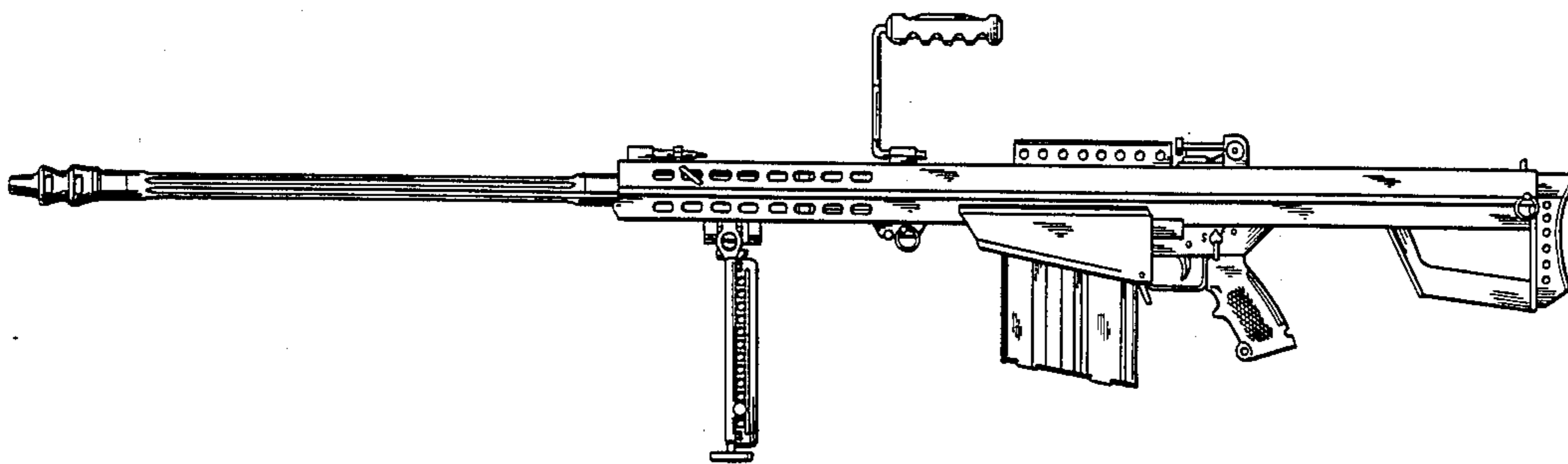
*Attorney, Agent, or Firm—Harrington A. Lackey*

[57] **CLAIM**

The ornamental design for a semi-automatic rifle, as shown and described.

**DESCRIPTION**

FIG. 1 is a top plan view of the semi-automatic rifle showing my new design;  
FIG. 2 is a left side elevational view thereof;  
FIG. 3 is a right side elevational view thereof;  
FIG. 4 is a bottom plan view thereof;  
FIG. 5 is an enlarged front end elevational view thereof;  
FIG. 6 is an enlarged rear end elevational view thereof;  
FIG. 7 is an enlarged fragmentary right side elevational view of the muzzle portion of the rifle disclosed in FIG. 2;  
FIG. 8 is an enlarged fragmentary sectional elevation taken along the line 8—8 of FIG. 3; and  
FIG. 9 is an enlarged elevational view of the left bipod leg of the gun, the right bipod leg being identical.



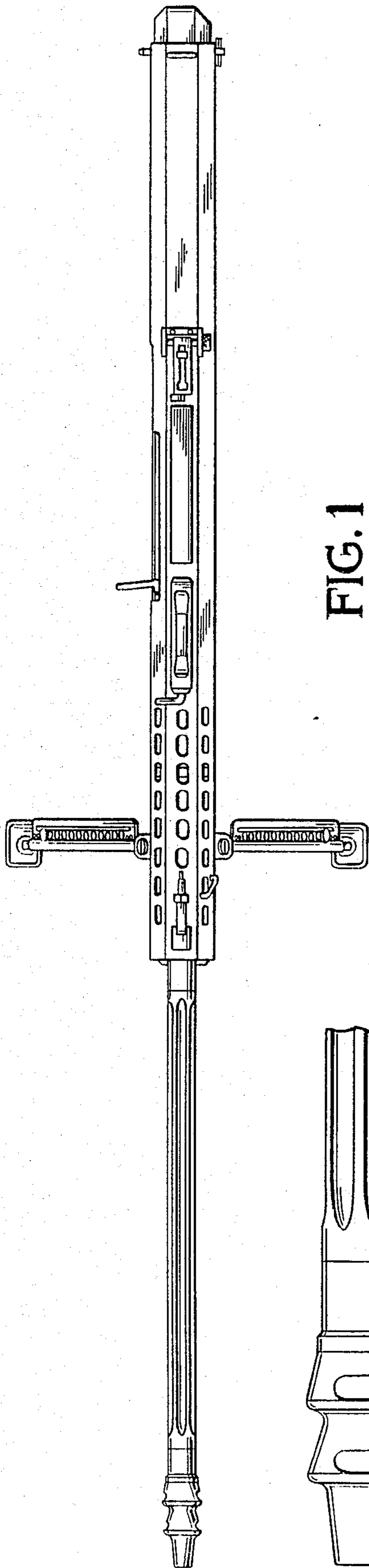


FIG. 1

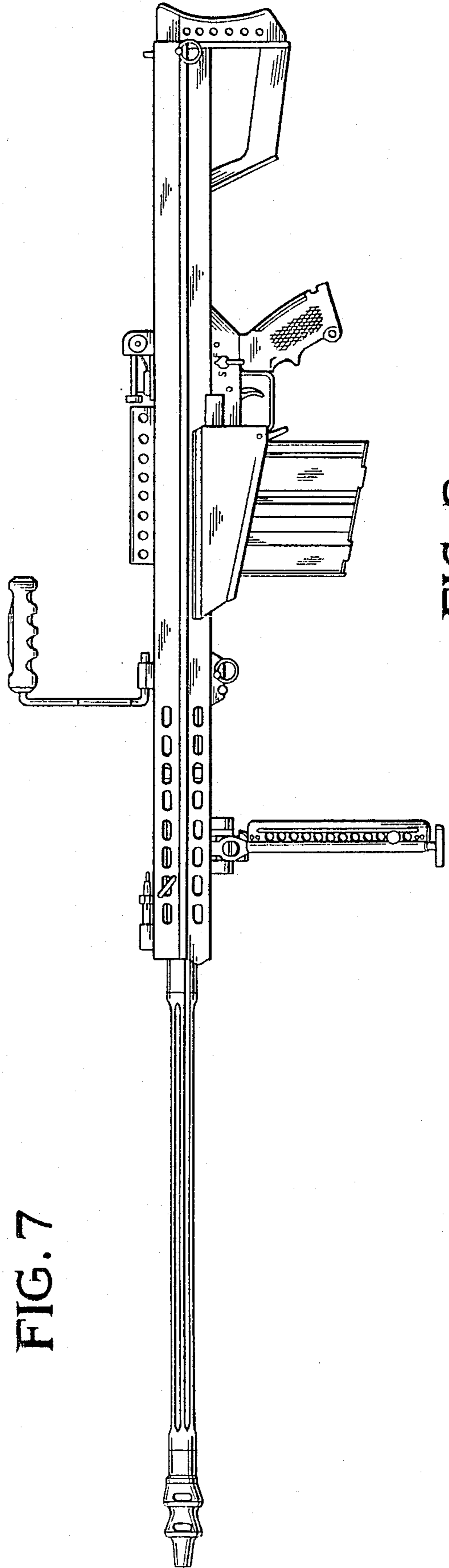


FIG. 2

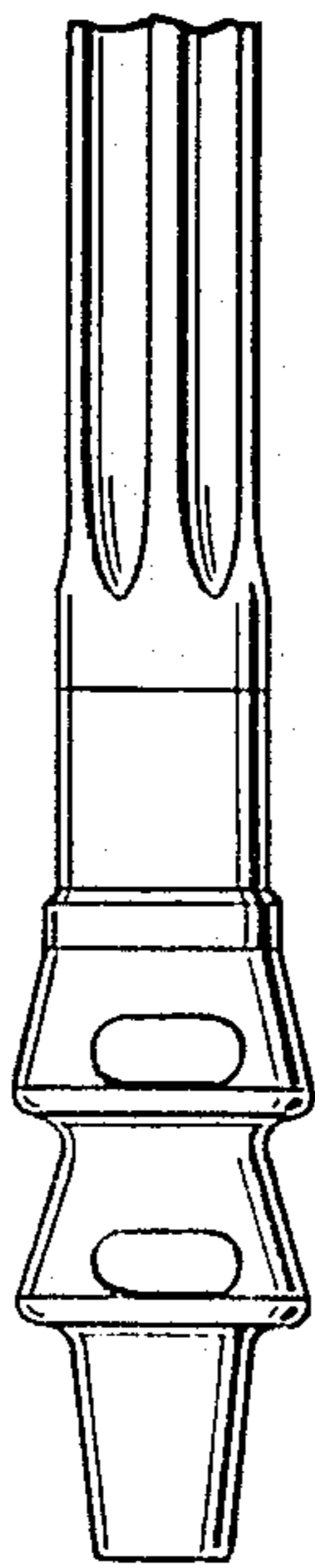


FIG. 7

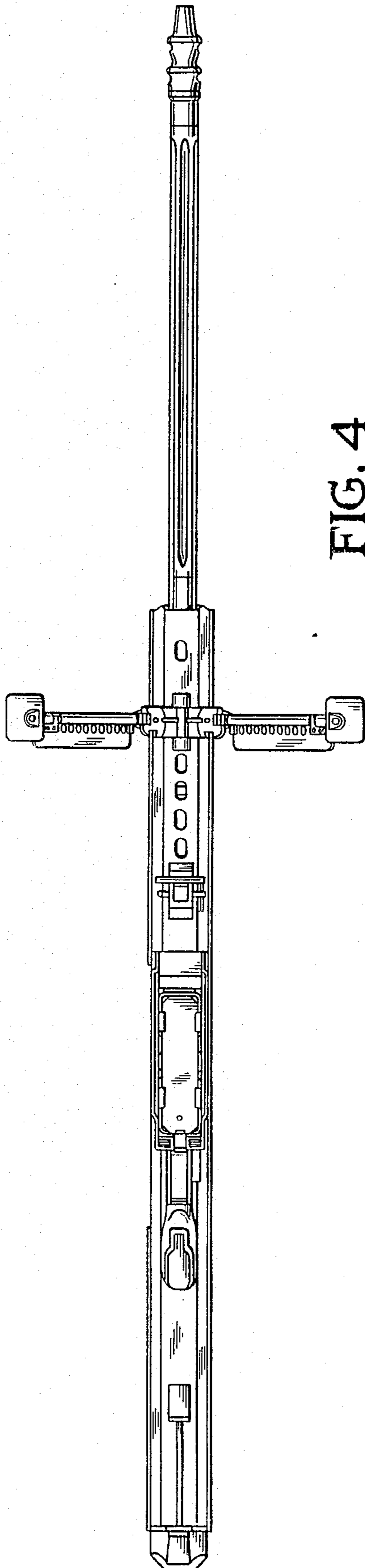


FIG. 4

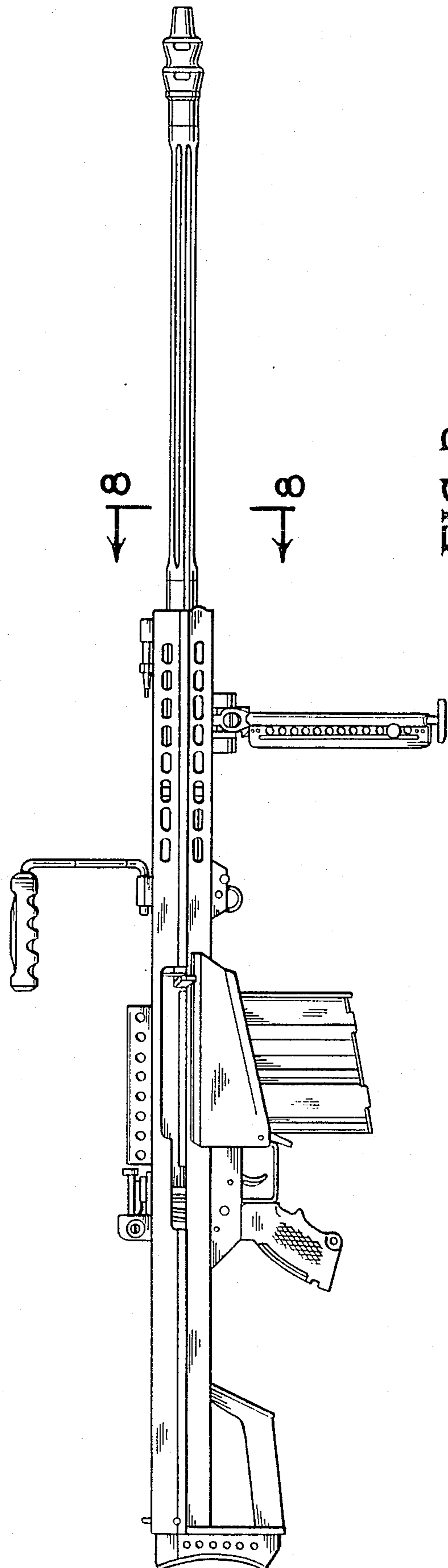


FIG. 3

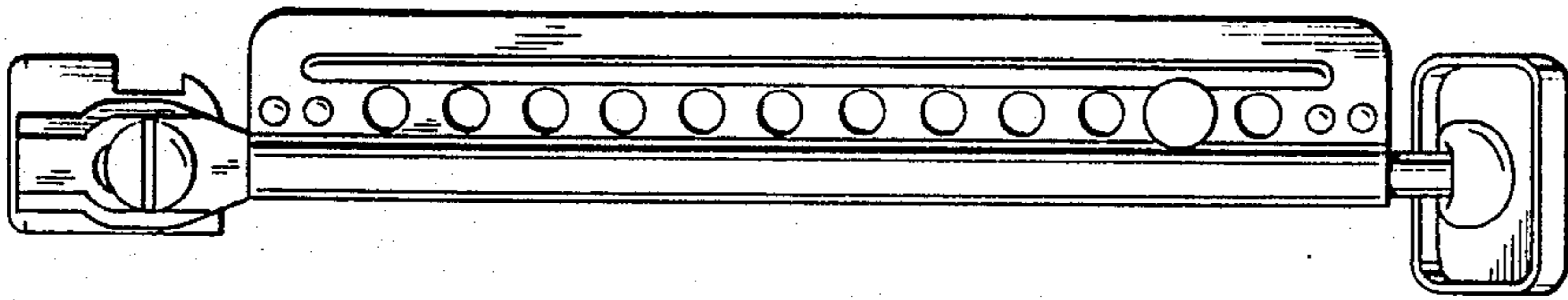


FIG. 9

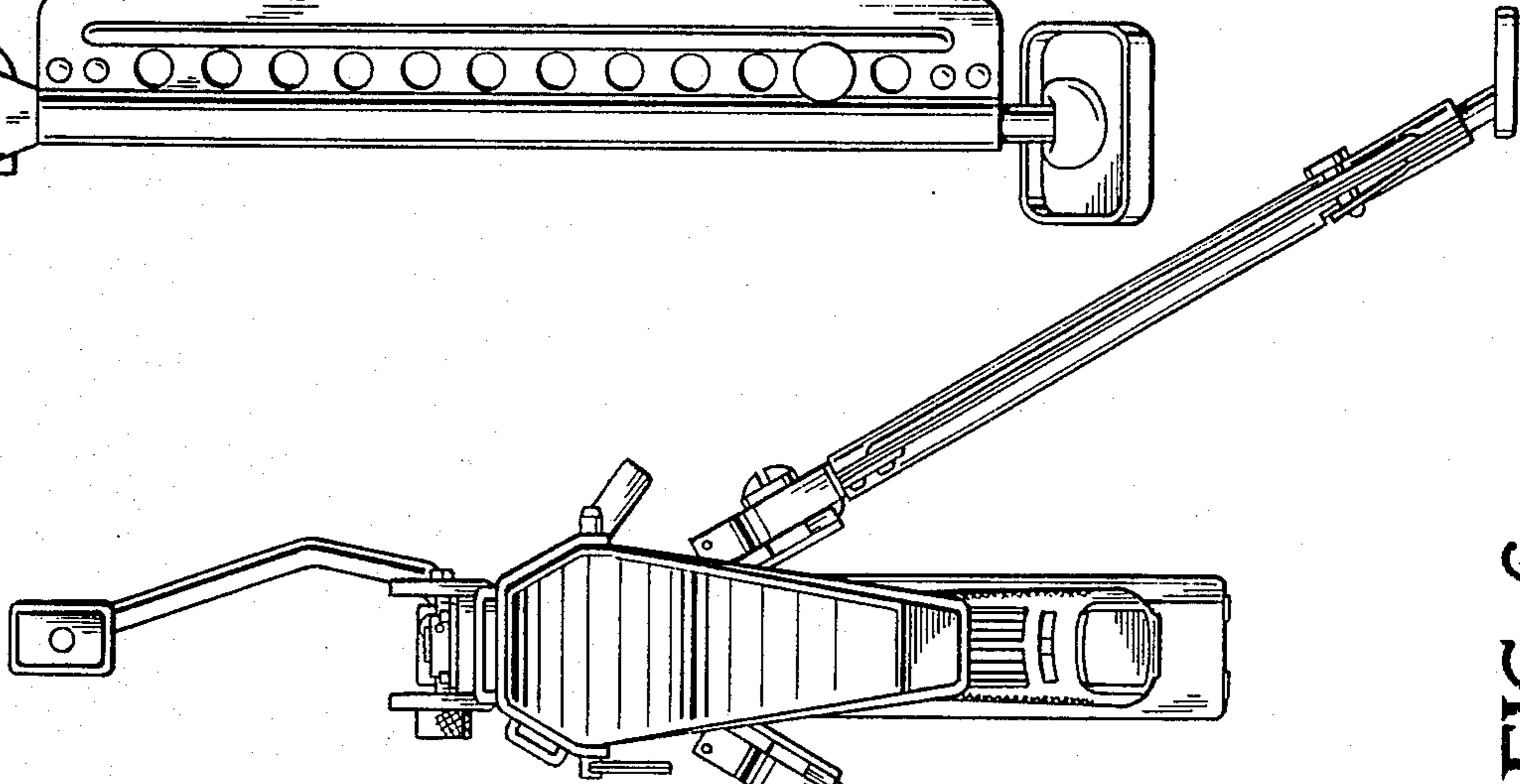


FIG. 6

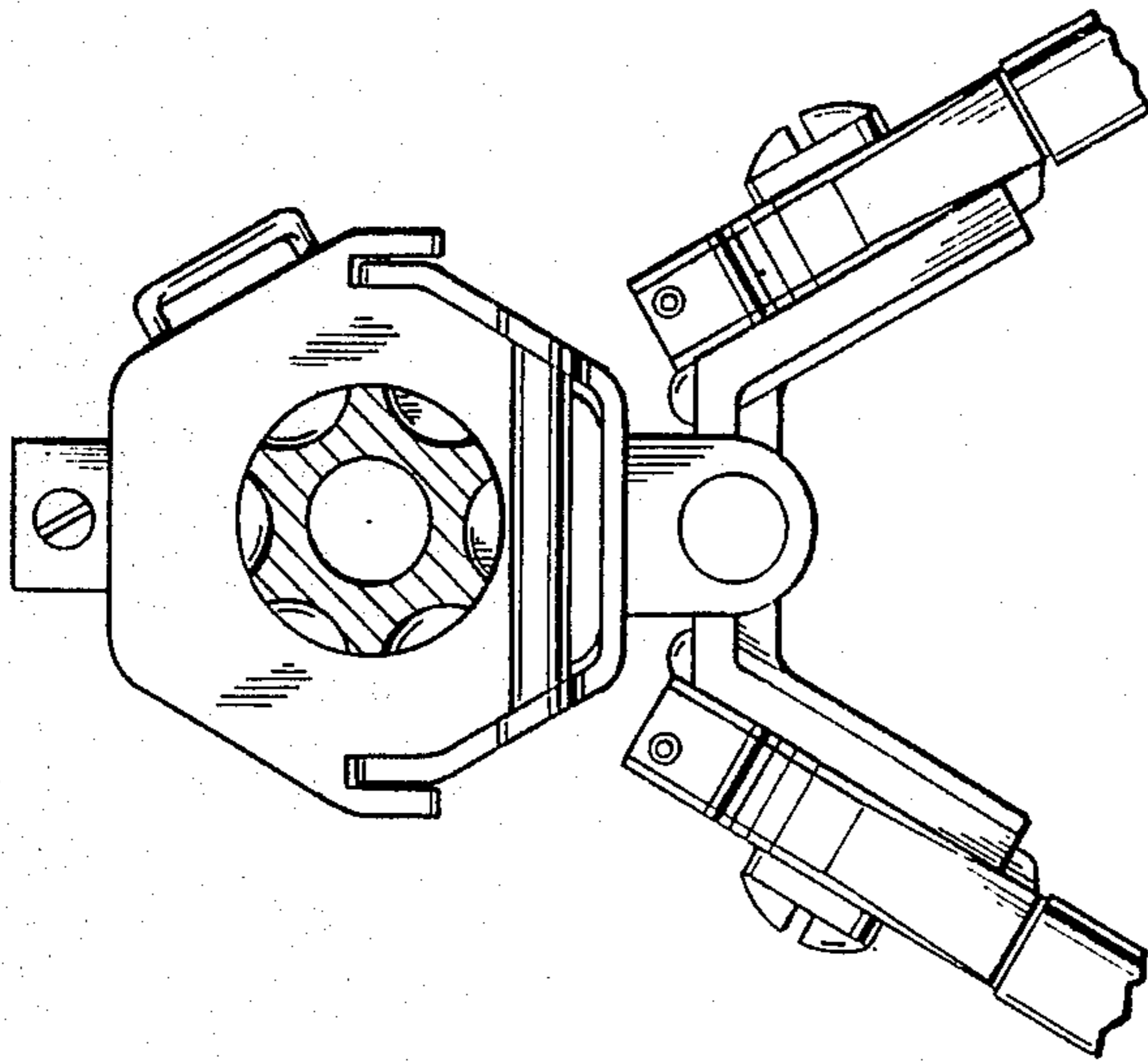


FIG. 8

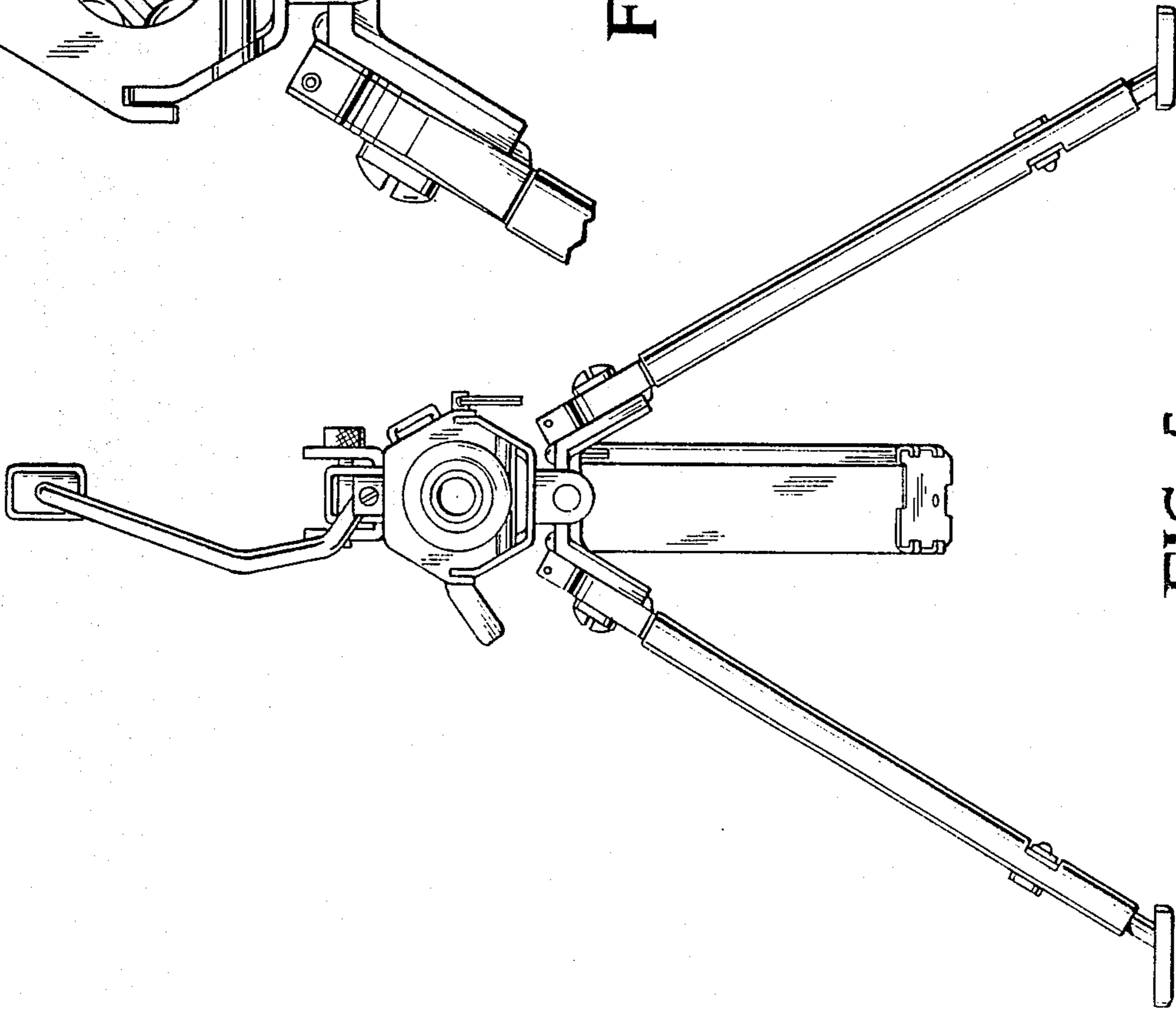


FIG. 5