

[54] WATER SKI HANDLE

[75] Inventors: Leon Raiter, St. Cloud, Minn.; John Mor, Vernon, Canada; Devlin Hunt, Brainard, Minn.

[73] Assignee: Ski-free Marine, Inc., Calgary, Canada

[**] Term: 14 Years

[21] Appl. No.: 909,087

[22] Filed: Sep. 18, 1986

[52] U.S. Cl. D21/230

[58] Field of Search D21/236, 228, 229, 230; 441/69, 253

OTHER PUBLICATIONS

Brochure, "Presenting the Amazing SKI—WHEEE" by Ski-Wheee Industries, (1974).

Brochure, "Ski-Free Here Comes the Most Revolutionary Machine in Water Ski History", Nov. 1985, by Ski-Free Marine Corporation.

Brochure, "SKI-FREE The World's First Skier-Operated Water Ski Craft" by Ski-Free Marine Corporation, (Nov. 1985).

Primary Examiner—Wallace R. Burke

Assistant Examiner—Kay H. Chin

Attorney, Agent, or Firm—Vidas & Arrett

[57] CLAIM

The ornamental design for a water ski handle, as shown and described.

[56] References Cited

U.S. PATENT DOCUMENTS

D. 290,489	6/1987	Rustad	D21/230
3,745,962	7/1973	Murphy	441/69
3,828,717	8/1974	Nichols	441/69
3,830,188	8/1974	Humbert	441/69
3,842,786	10/1974	Uroshevich	441/69
4,483,683	11/1984	Alley, Sr.	441/69

DESCRIPTION

FIG. 1 is a right side elevational view of a water ski handle showing our new design;

FIG. 2 is a left side elevational view;

FIG. 3 is a front elevational view;

FIG. 4 is a rear elevational view;

FIG. 5 is a top plan view, and;

FIG. 6 is a bottom plan view.

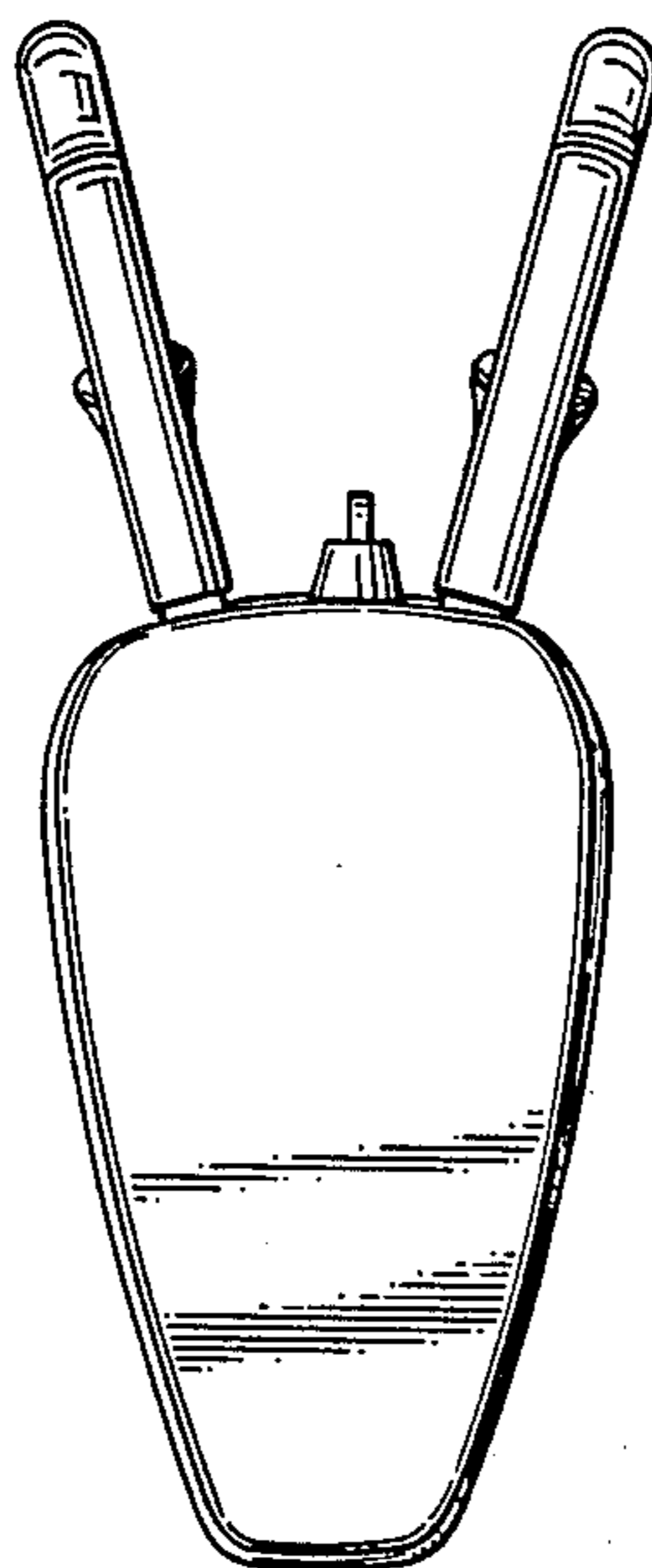
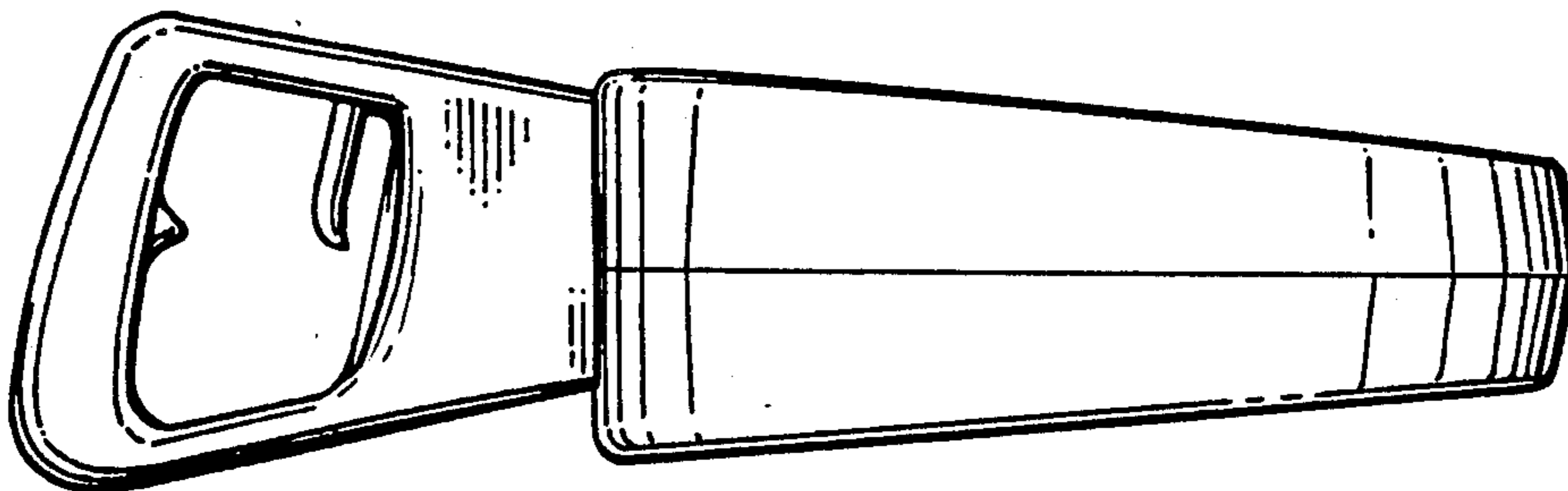


Fig. 1

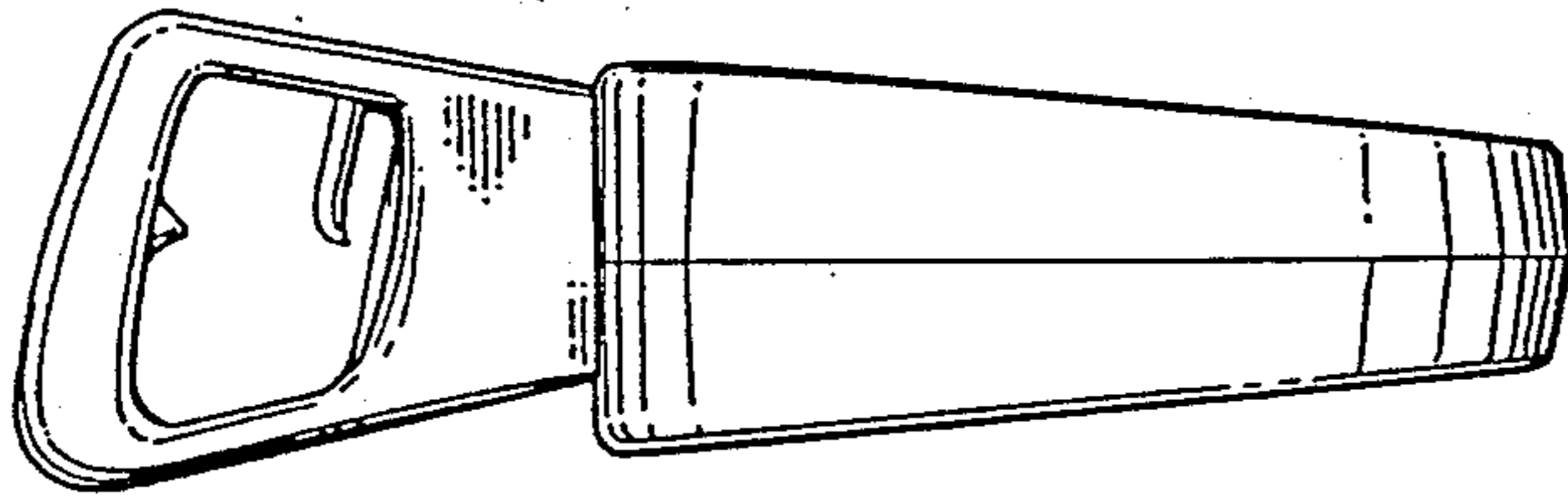


Fig. 2

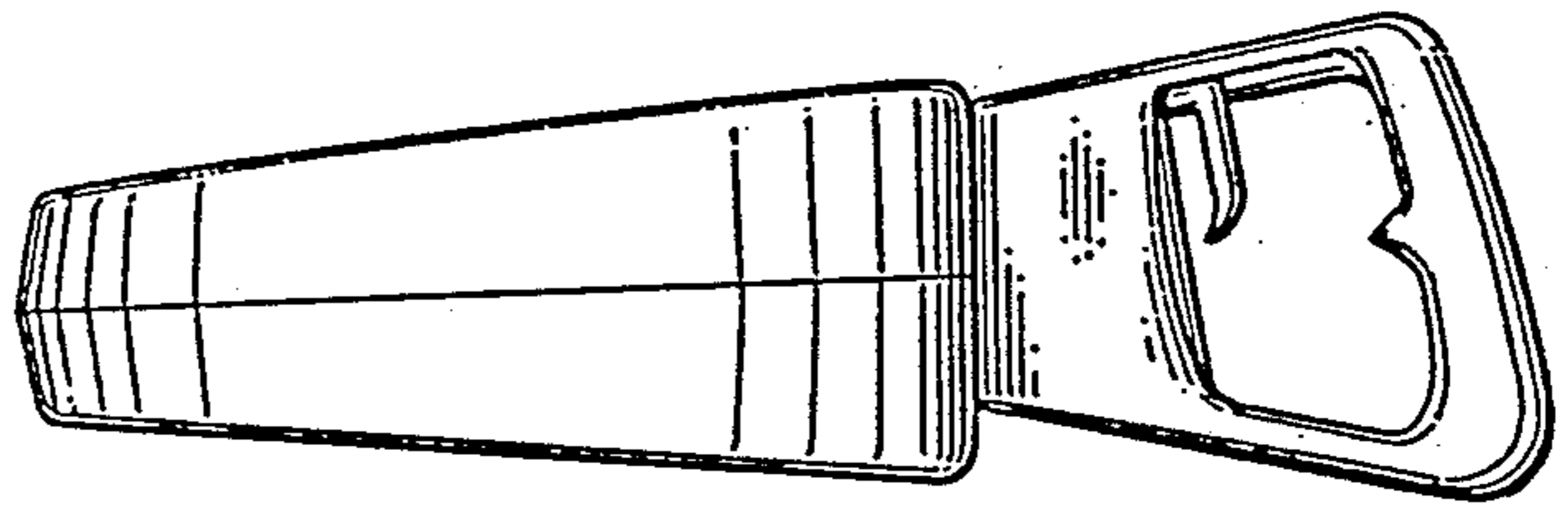


Fig. 3

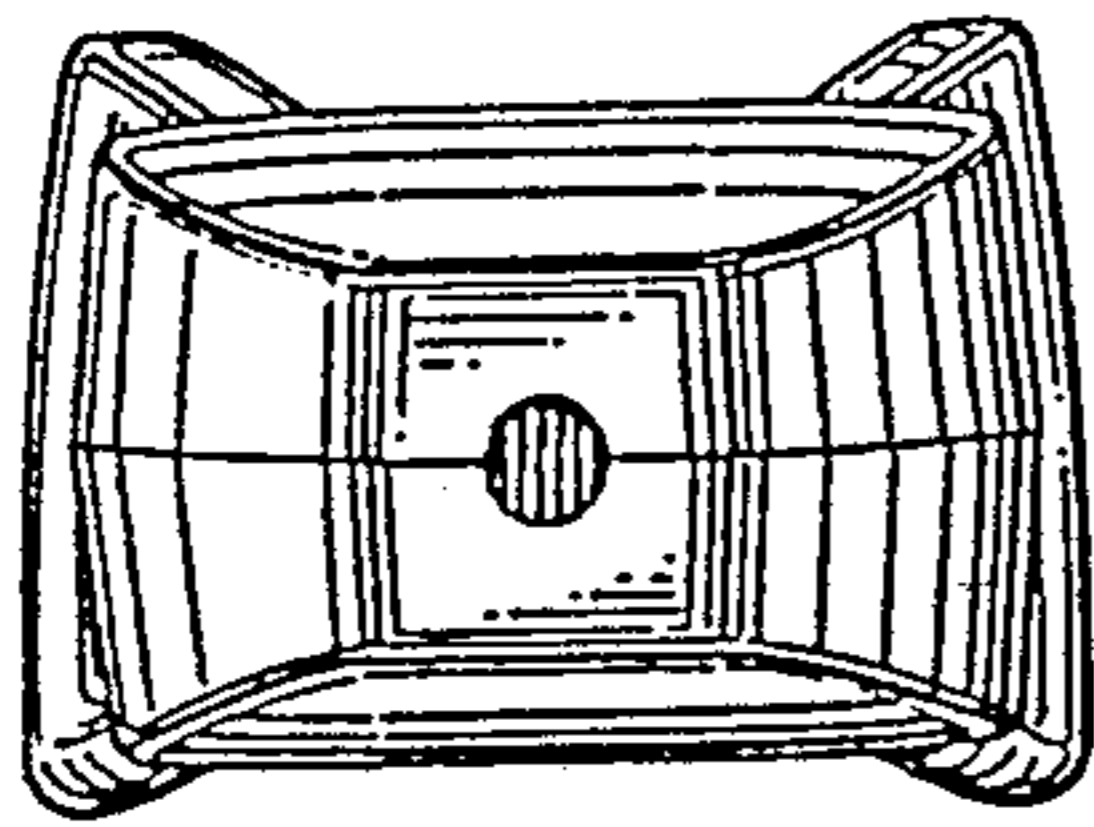


Fig. 4

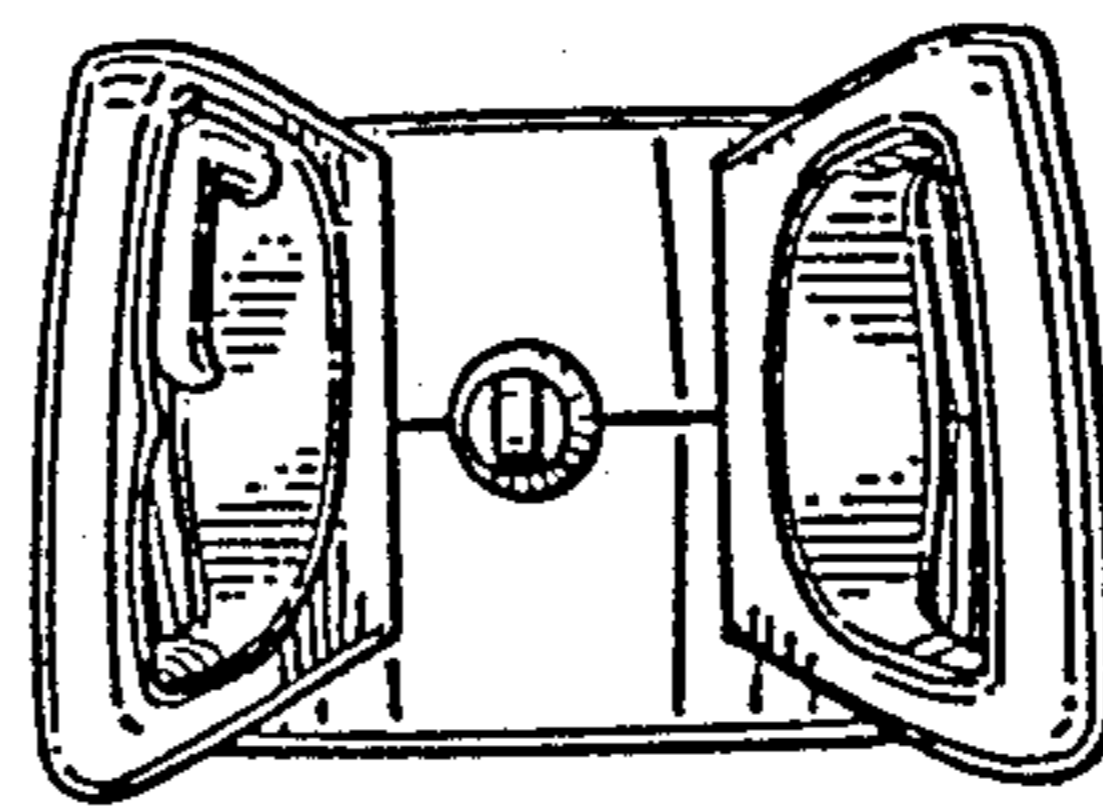


Fig. 5

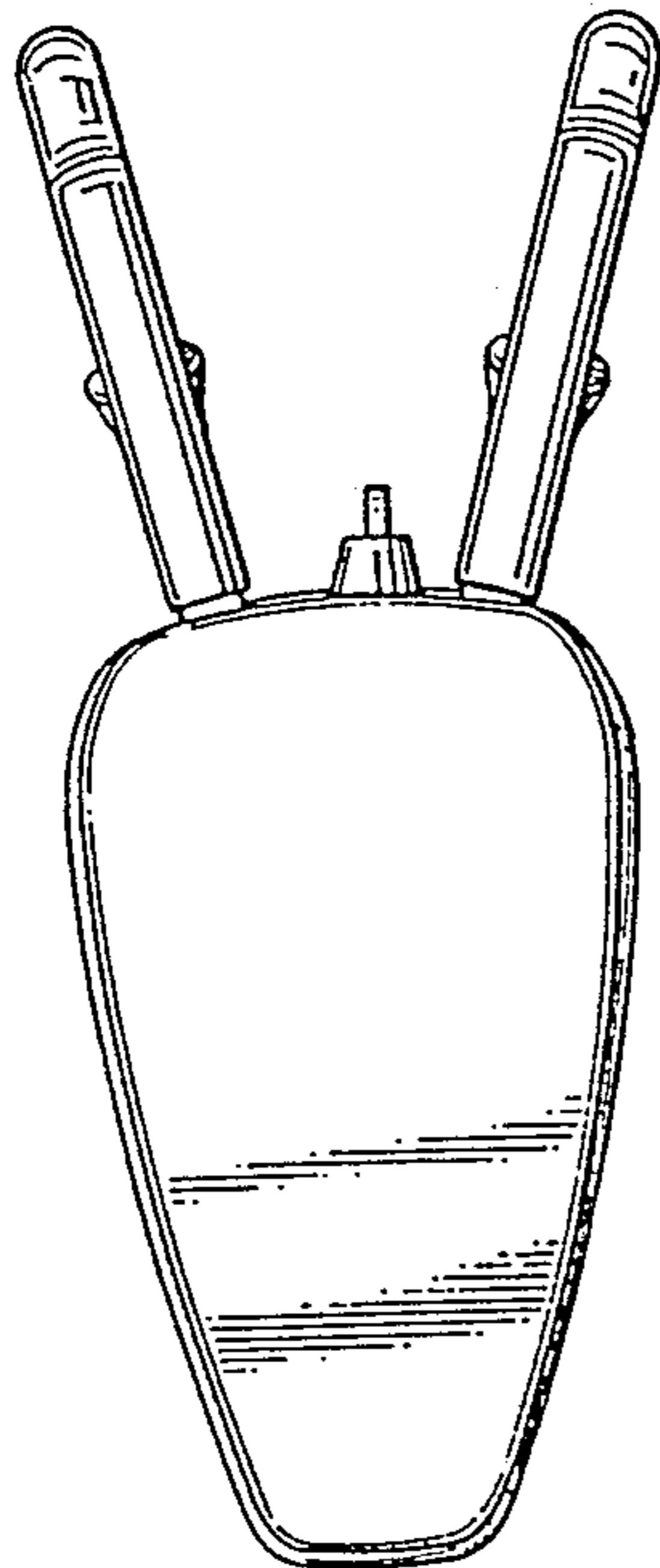


Fig. 6

