

[54] SHOULDER AND ARM EXERCISE MACHINE

[75] Inventors: Robert B. Carlson, Bloomington; Fredrick D. Wucherpfenning, both of Bloomington, Minn.

[73] Assignee: The Toro Company, Minneapolis, Minn.

[**] Term: 14 Years

[21] Appl. No.: 41,577

[22] Filed: Apr. 23, 1987

[52] U.S. Cl. D21/195

[58] Field of Search D21/191-199; 272/93, 67, 68, 116, 125, 126, 130, 132, 129, 133, 134

[56] References Cited

U.S. PATENT DOCUMENTS

D. 259,799 7/1981 Brentham D21/195

D. 264,236 5/1982 Vyhlidal D21/195
D. 281,712 12/1985 Stedman D21/195
D. 299,842 2/1989 Brentham D21/195

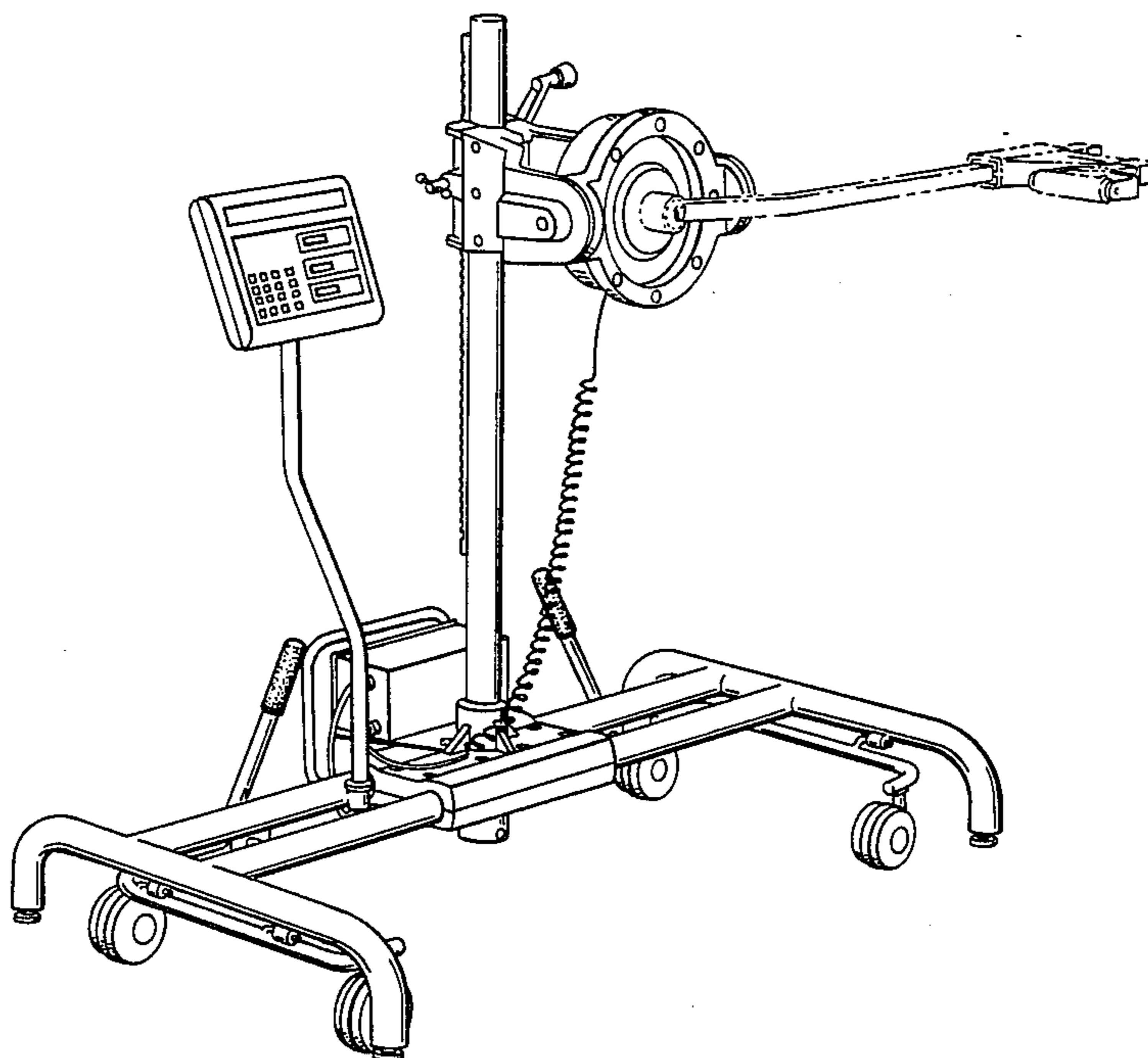
Primary Examiner—Charles A. Rademaker
Attorney, Agent, or Firm—R. Lawrence Buckley

[57] CLAIM

The ornamental design for a shoulder and arm exercise machine, as shown and described.

DESCRIPTION

FIG. 1 is a front perspective view of a shoulder and arm exercise machine showing our new design; FIG. 2 is a front elevational view thereof; FIG. 3 is a bottom plan view thereof; FIG. 4 is a rear elevational view thereof; FIG. 5 is as top plan view thereof; FIG. 6 is a left side elevational view thereof; and FIG. 7 is a right side elevational view thereof. The broken line showing of exercise arm and handle in the drawings is for illustrative purposes only and forms no part of the claimed design.



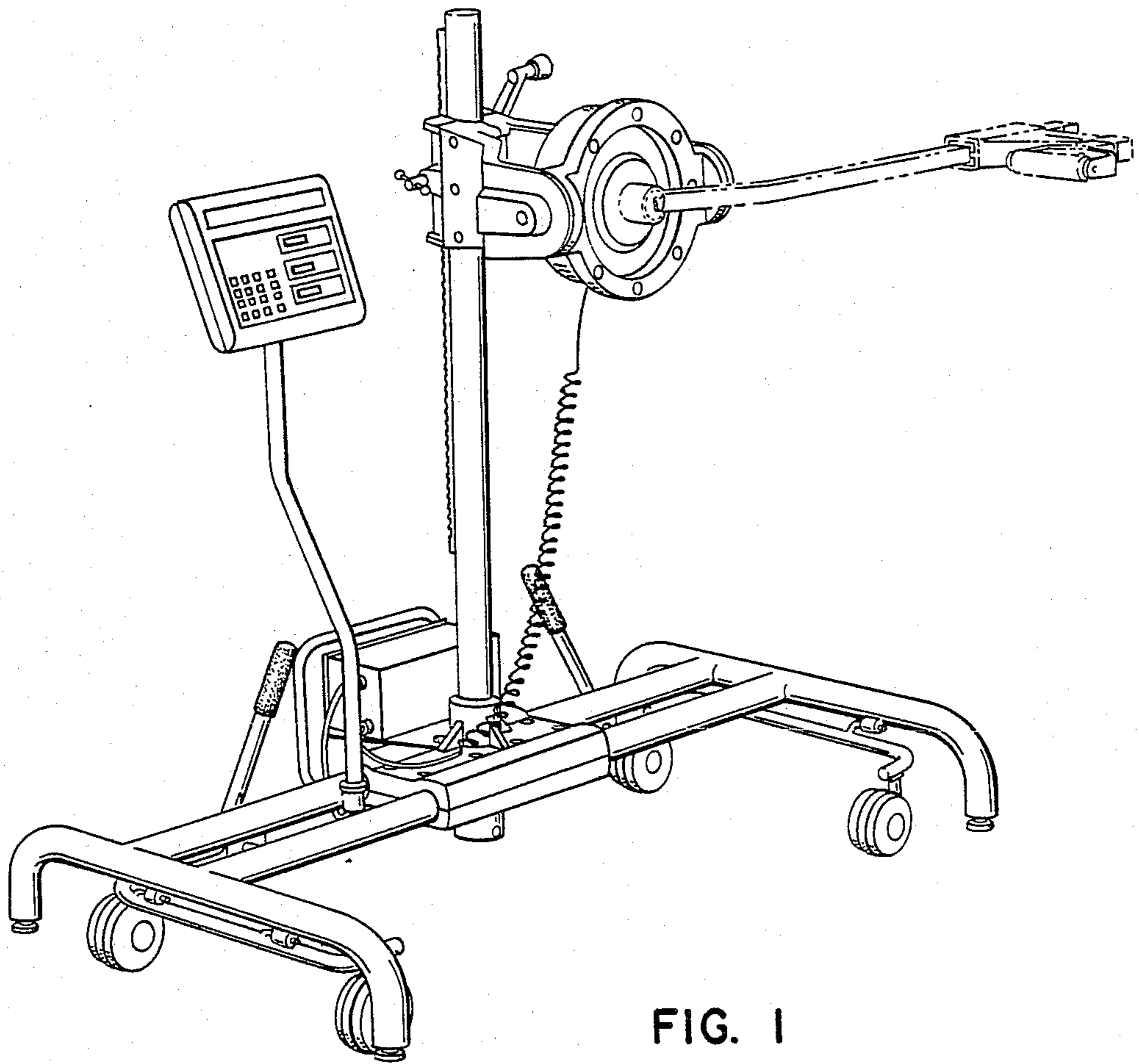


FIG. 1

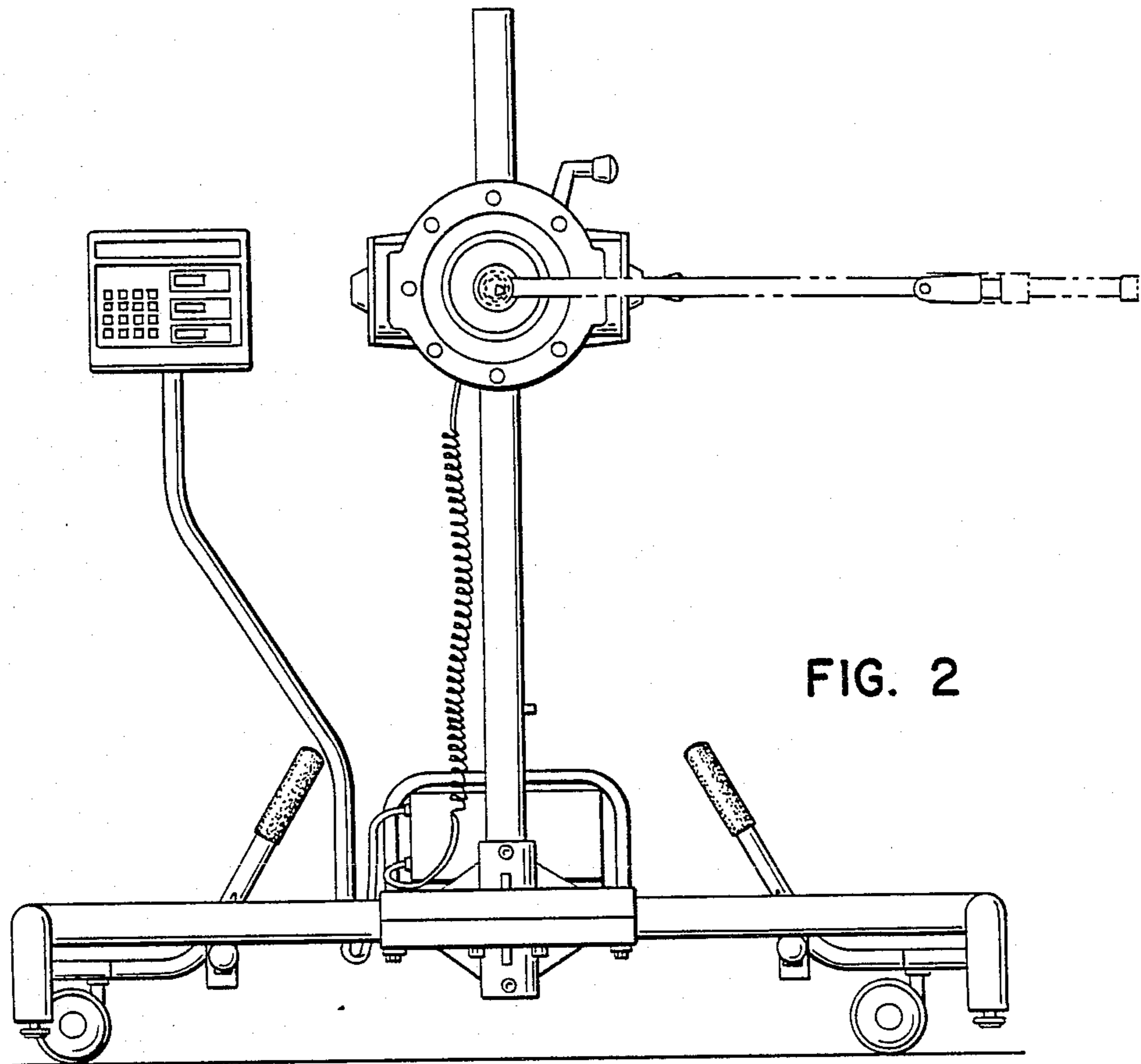


FIG. 2

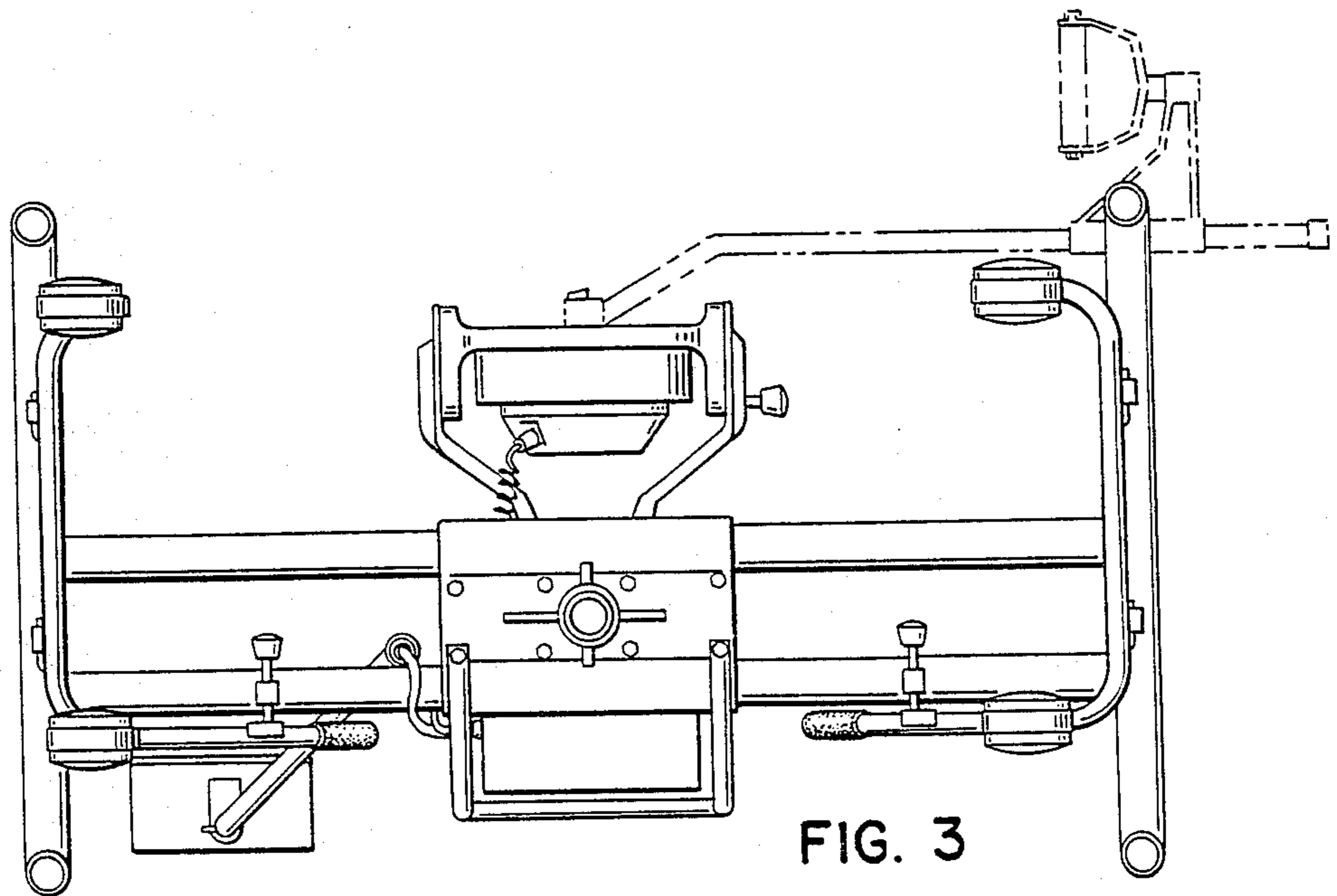


FIG. 3

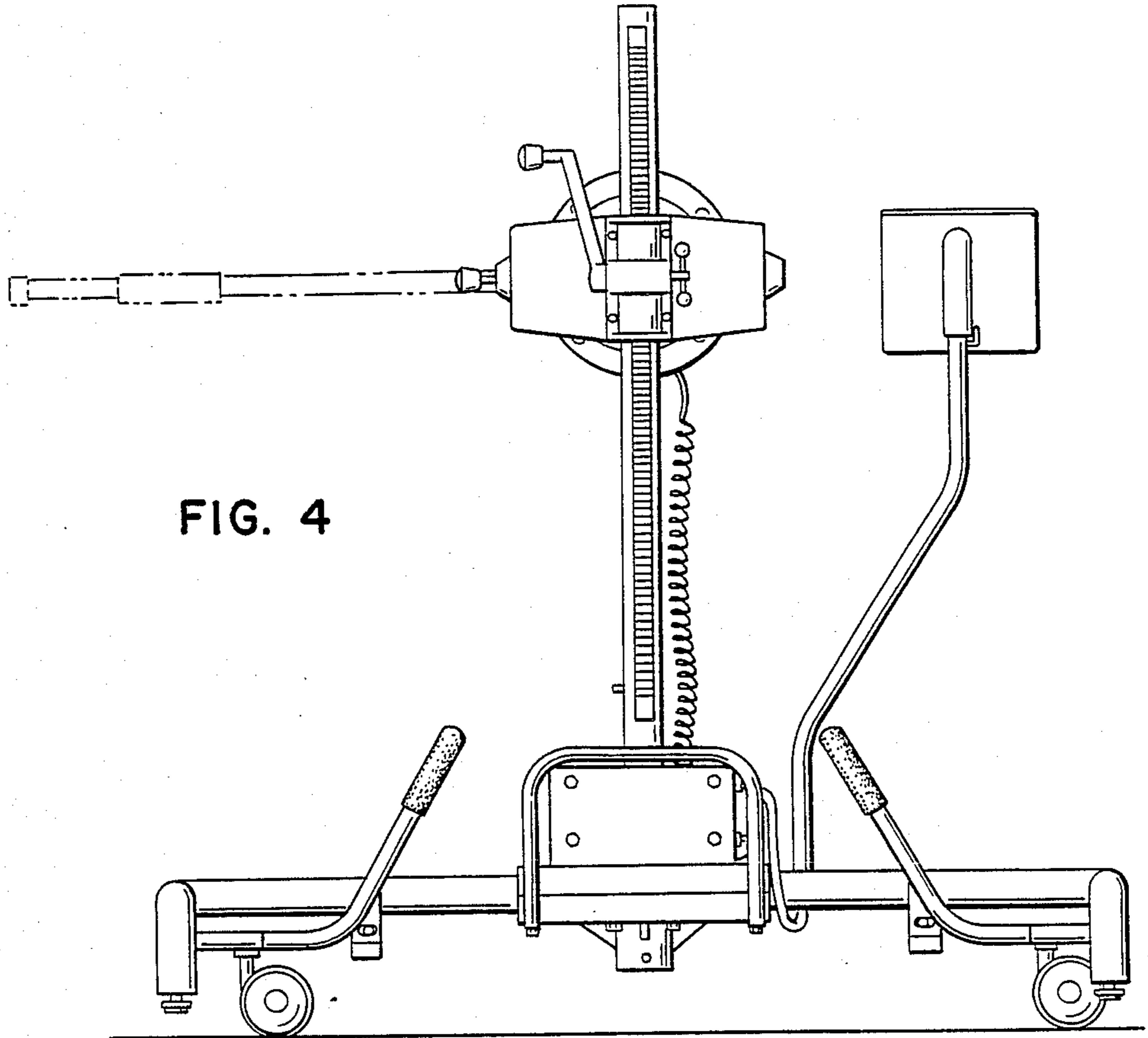


FIG. 4

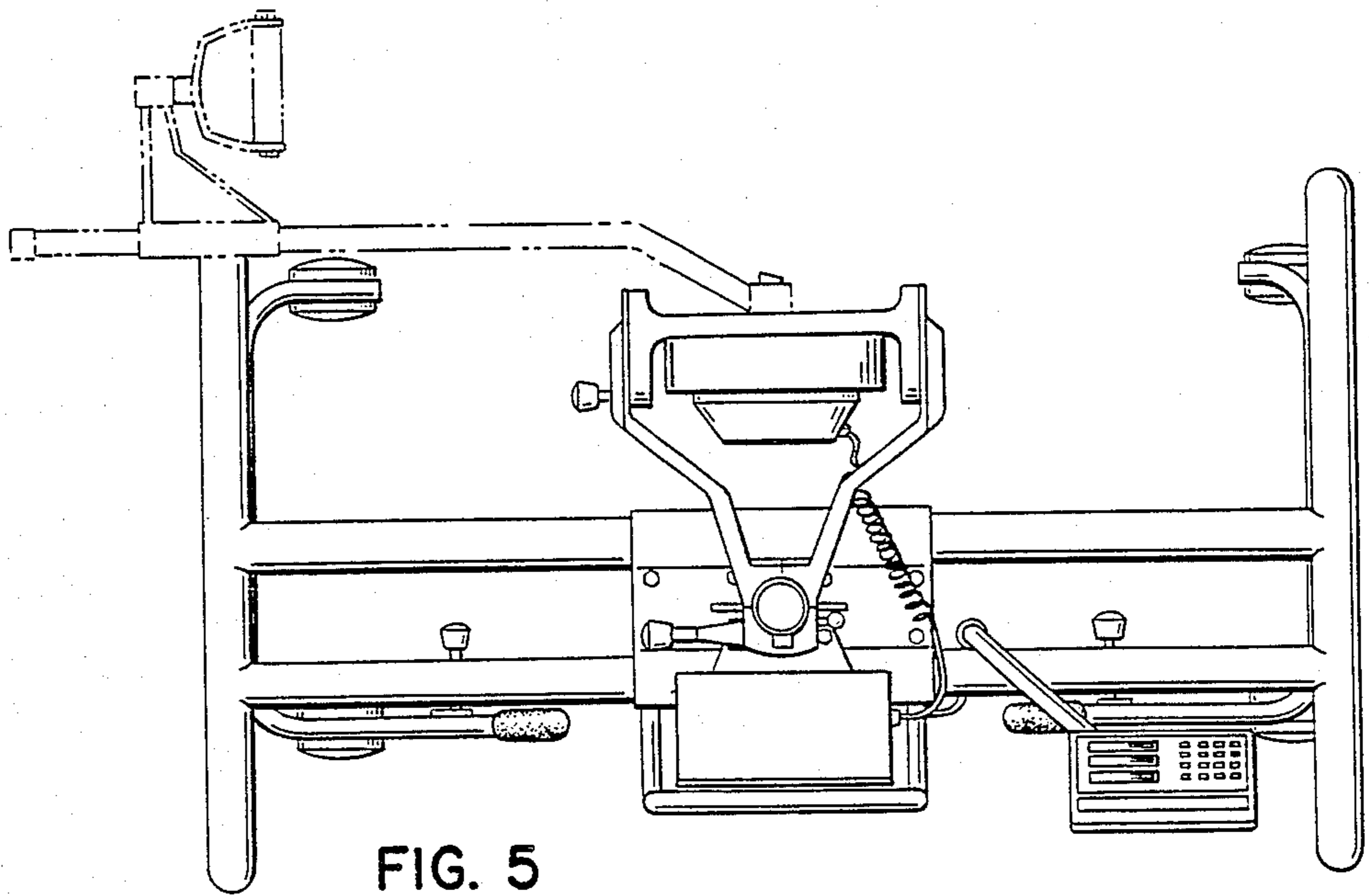


FIG. 5

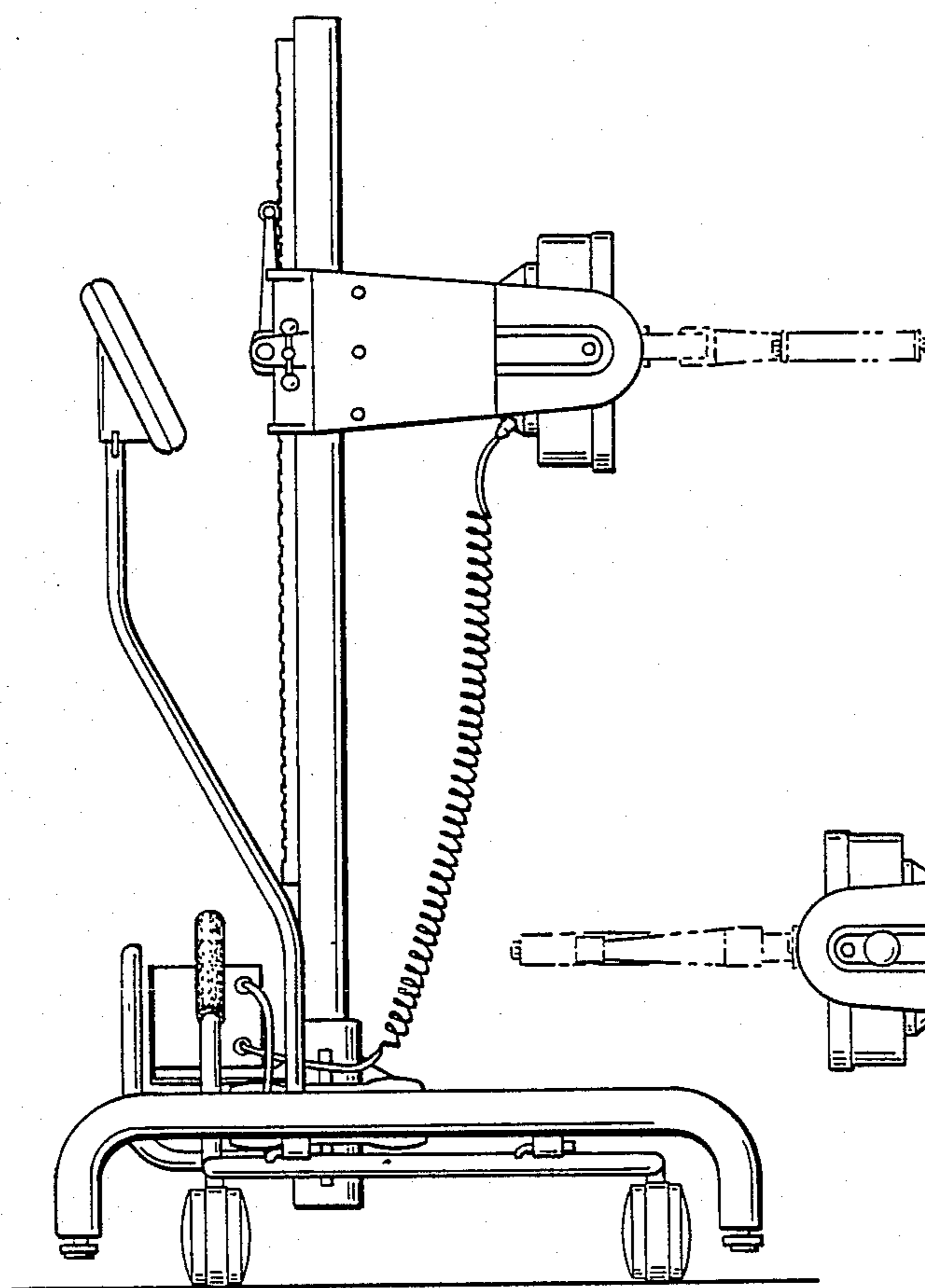


FIG. 6

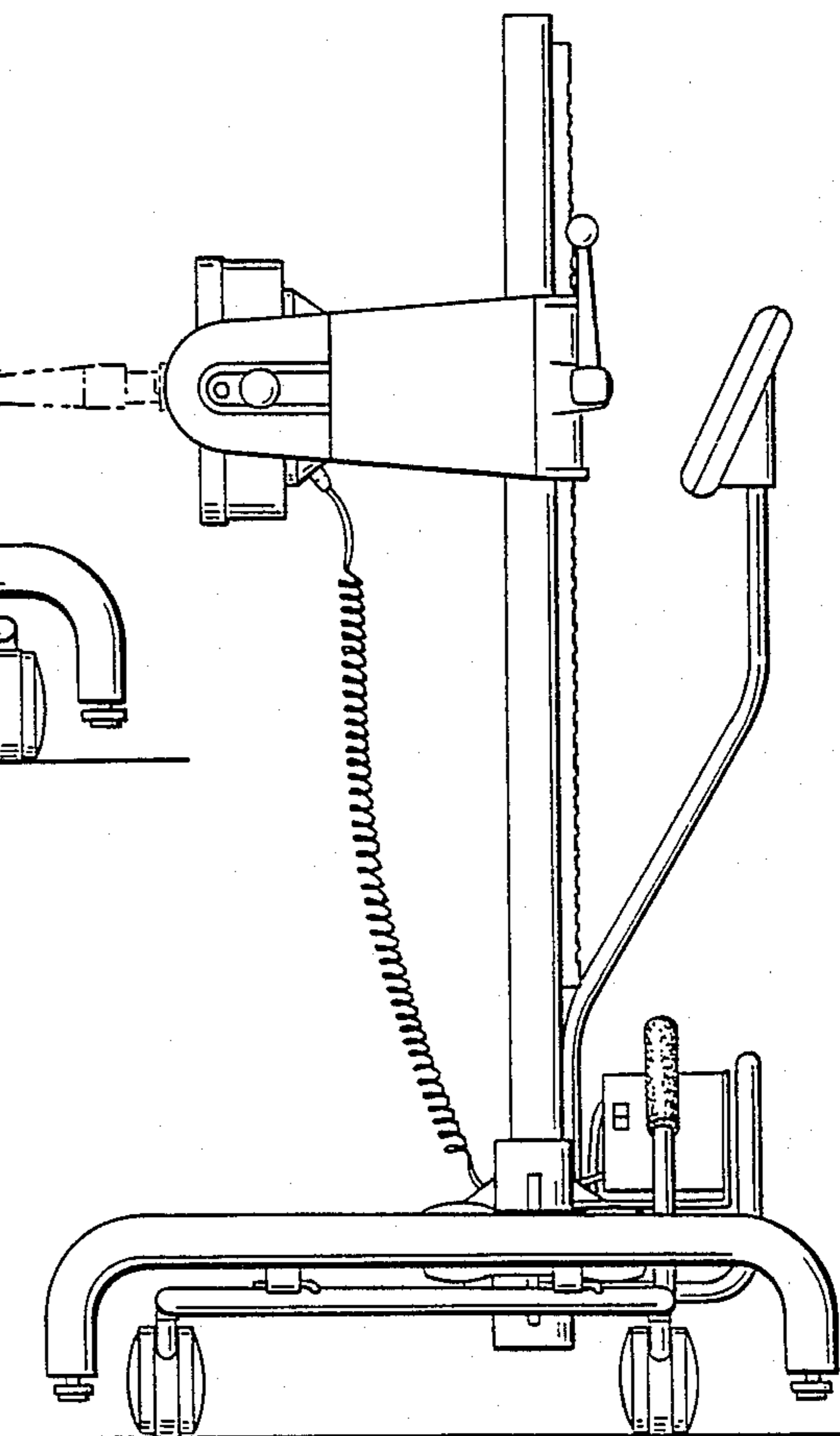


FIG. 7