

[54] TOY WATER GUN WITH EXTENSIBLE NOZZLE

[76] Inventor: Fu-Kuei Lee, P.O. Box 10780, Taipei 10099, Taiwan

[\*\*] Term: 14 Years

[21] Appl. No.: 122,663

[22] Filed: Nov. 19, 1987

[52] U.S. Cl. .... D21/147

[58] Field of Search ..... D21/145, 144, 147; D22/100, 103, 104, 105; 446/267, 473, 483; 124/37, 56; 222/79; 42/54

[56] References Cited

U.S. PATENT DOCUMENTS

- D. 203,349 12/1965 Gross ..... D21/149
- D. 243,111 1/1977 Barthropp ..... D21/147
- D. 258,166 2/1981 Barthropp ..... D21/147

OTHER PUBLICATIONS

Skillcraft Catalog, 1987, Roud. 3-19-1987, p. 3, "Oozee" Toy Gun.

Hong Kong Toys-1985, p. 16, item #13608092 Toy Pistol.

Primary Examiner—Charles A. Rademaker

[57] CLAIM

The ornamental design for a toy water gun with extensible nozzle, as shown and described.

DESCRIPTION

FIG. 1 is a top plan view of a toy water gun with extensible nozzle showing my new design;  
 FIG. 2 is a bottom plan view thereof;  
 FIG. 3 is a side elevational view thereof;  
 FIG. 4 is a right end elevational view thereof;  
 FIG. 5 is a left end elevational view thereof;  
 FIG. 6 is a rear elevational view thereof;  
 FIG. 7 is another side elevational view thereof shown partially in fragment with the nozzle member in an extended position and the liquid container in a separated position.

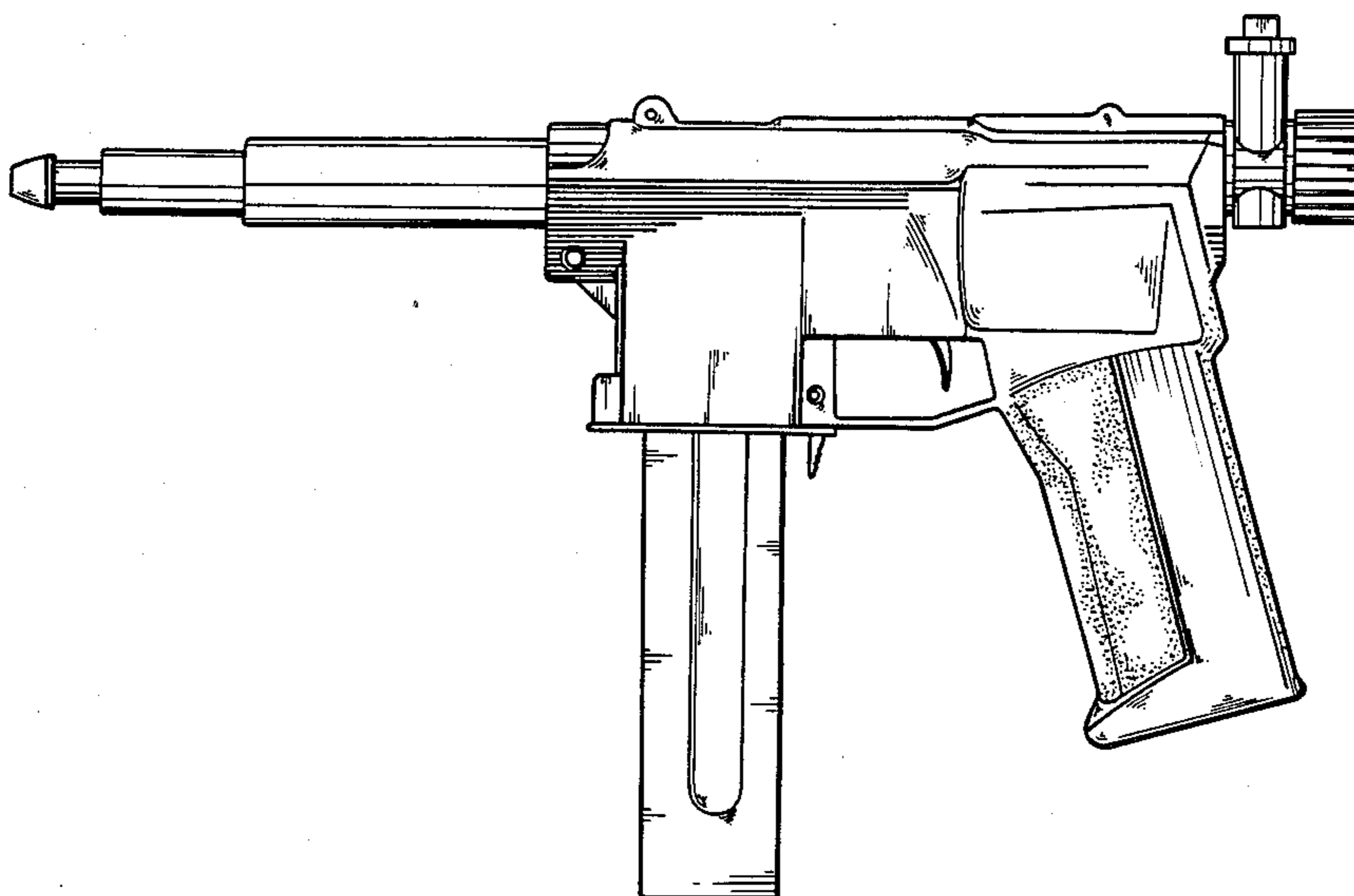


FIG.1

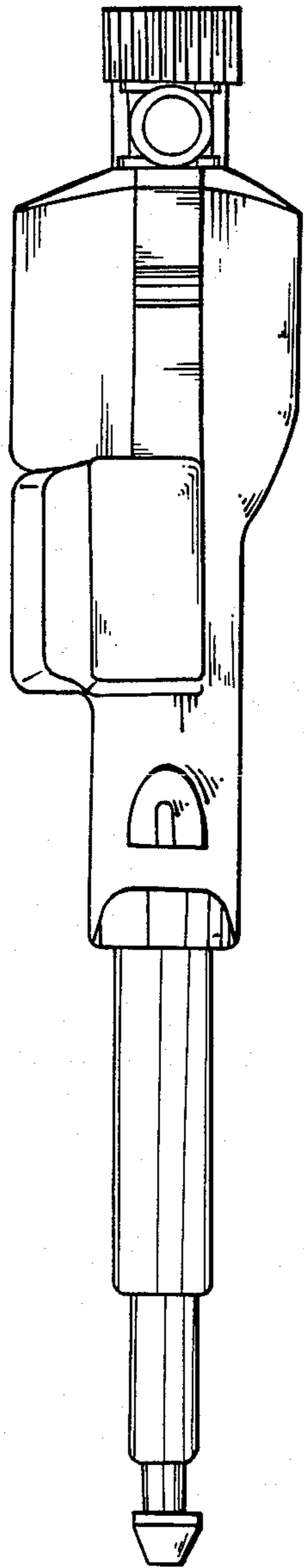
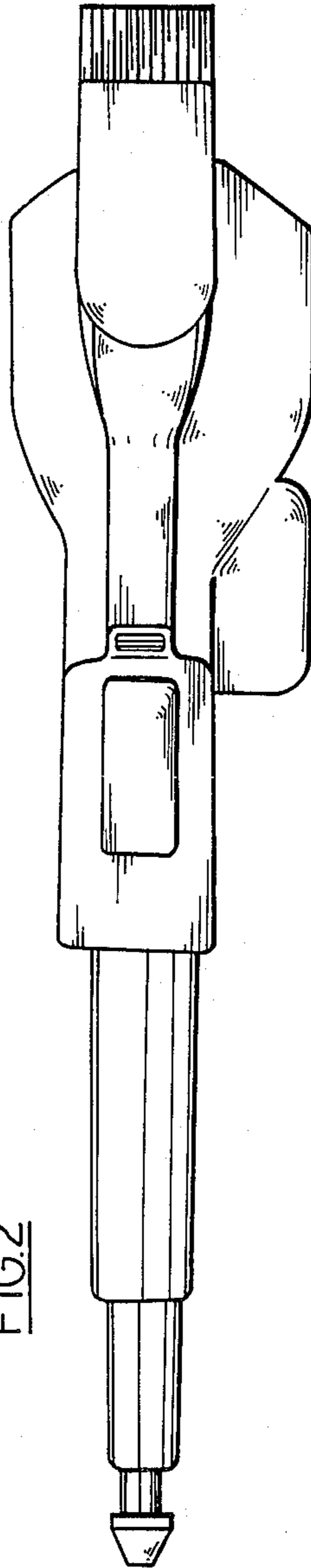


FIG.2



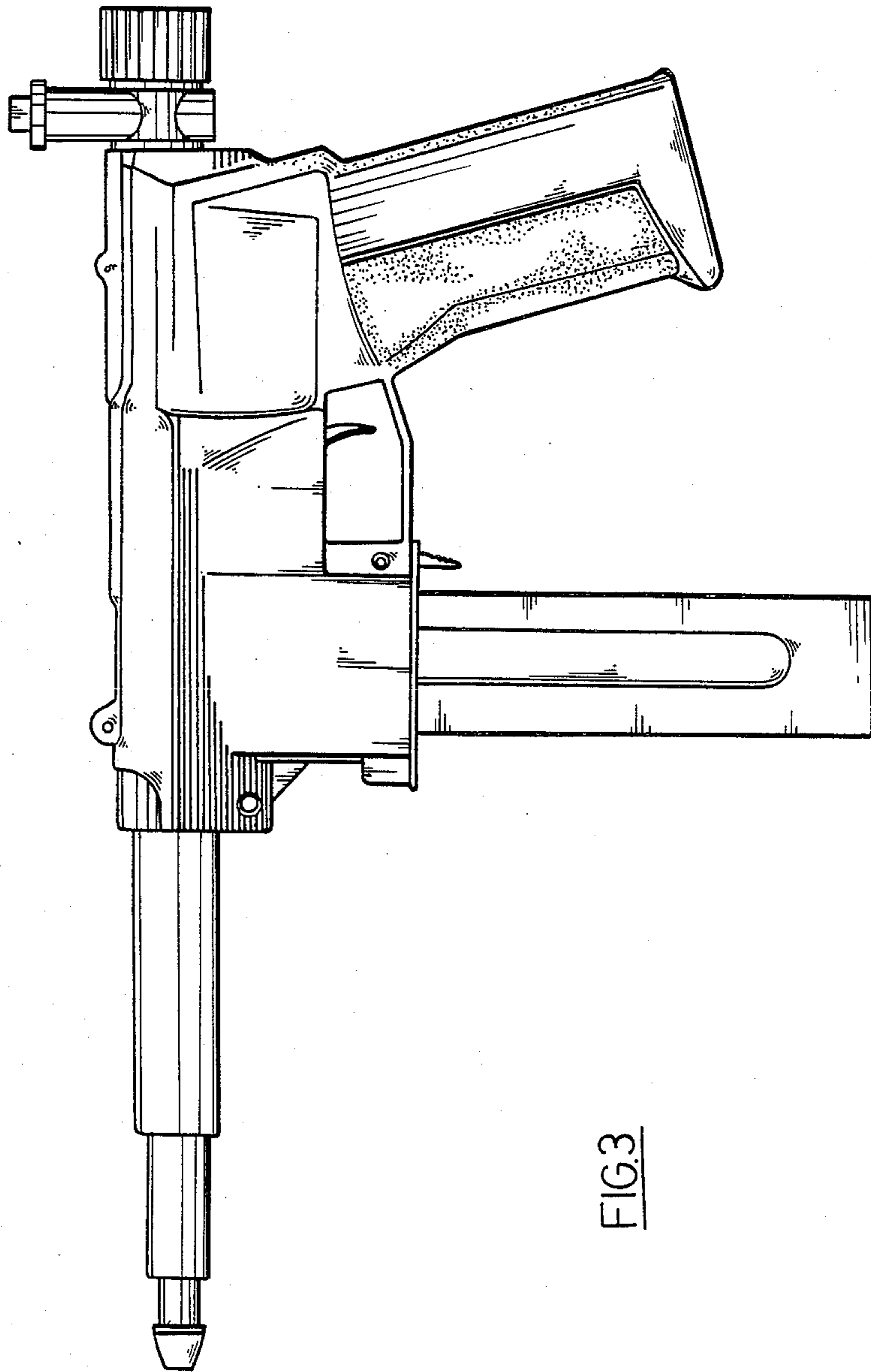


FIG. 3

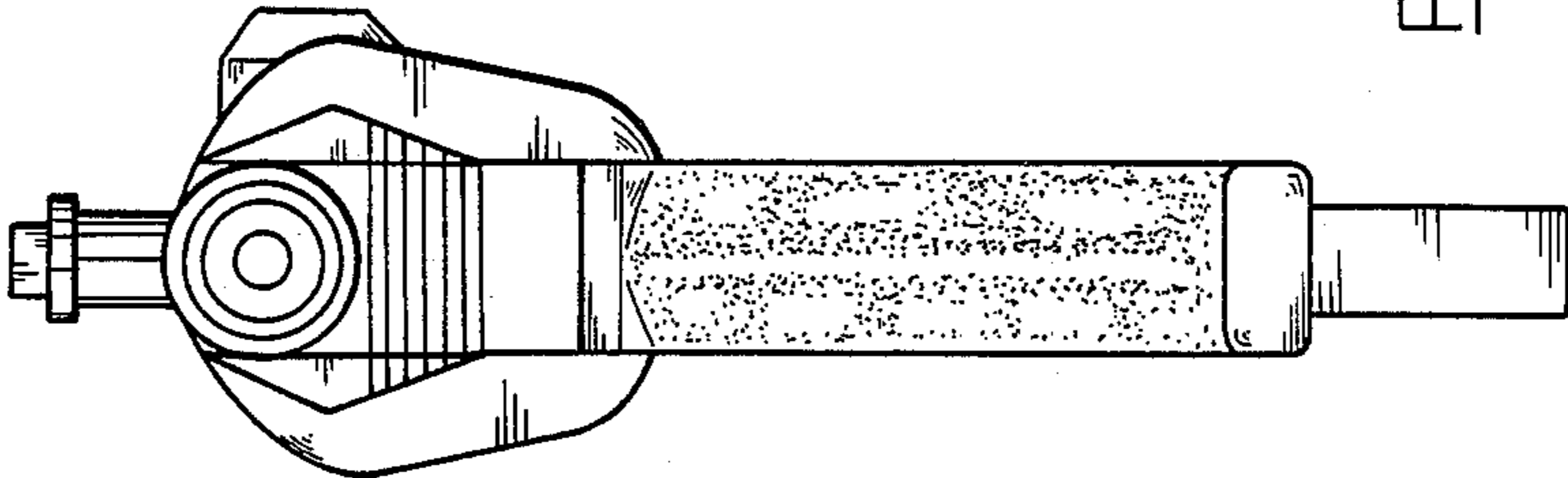


FIG. 4

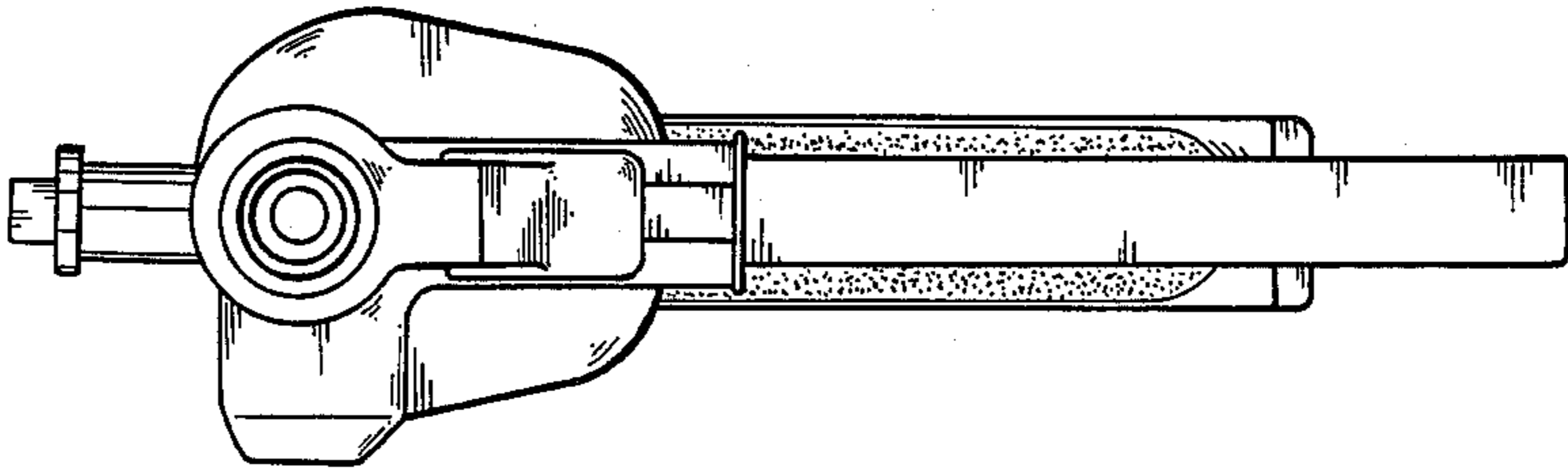


FIG. 5

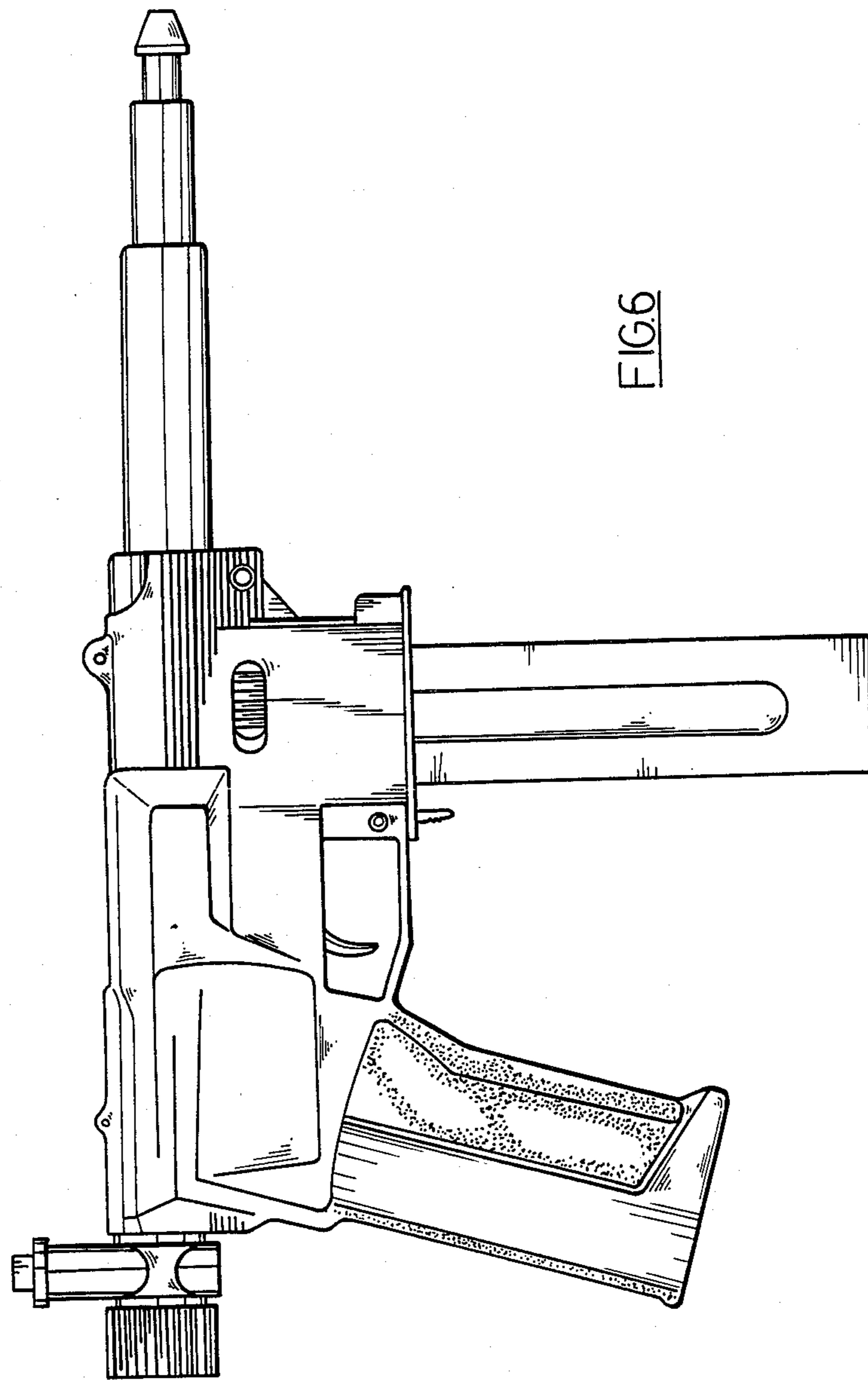


FIG 6

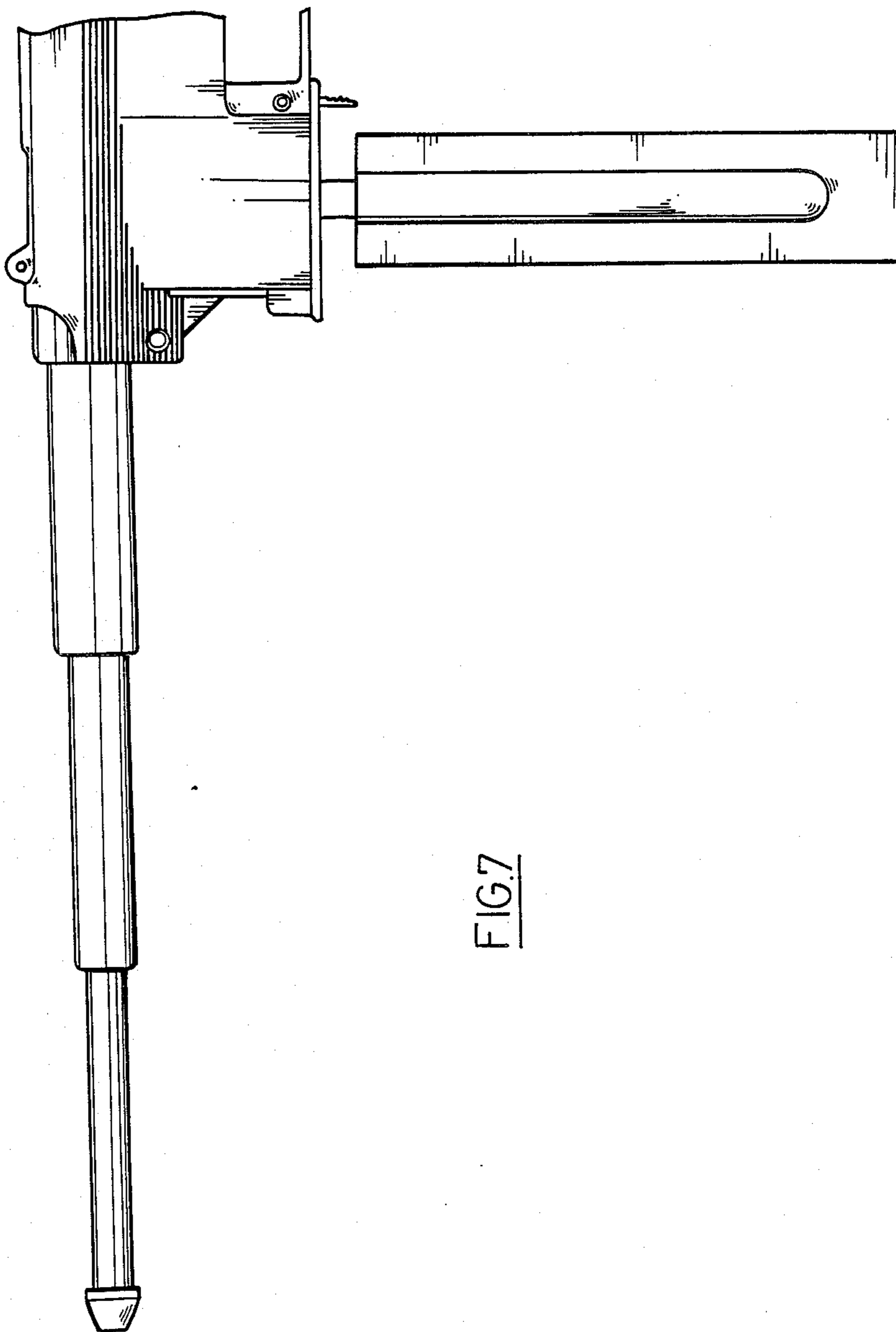


FIG. 7