

[54] **WIRE PUZZLE**

[76] **Inventor: Saburo Hasegawa, 17-4, Higashiogu
5-Chome, Arakawa-Ku, Tokyo,
Japan**

[**] **Term: 14 Years**

[21] **Appl. No.: 61,405**

[22] **Filed: Jun. 15, 1987**

[30] **Foreign Application Priority Data**

Dec. 23, 1986 [JP] Japan 61-50835
[52] **U.S. Cl. D21/106**
[58] **Field of Search D21/104-108;
273/156, 153 R, 157, 158**

[56] **References Cited**

U.S. PATENT DOCUMENTS

D. 60,738 3/1922 Schweikoski D21/106
D. 246,924 1/1978 Heign D21/106
D. 258,601 3/1981 Smallwood D21/106
4,524,972 6/1985 Wilmarth 273/158

FOREIGN PATENT DOCUMENTS

374282 10/1973 Japan .
121131 6/1927 Switzerland 273/158

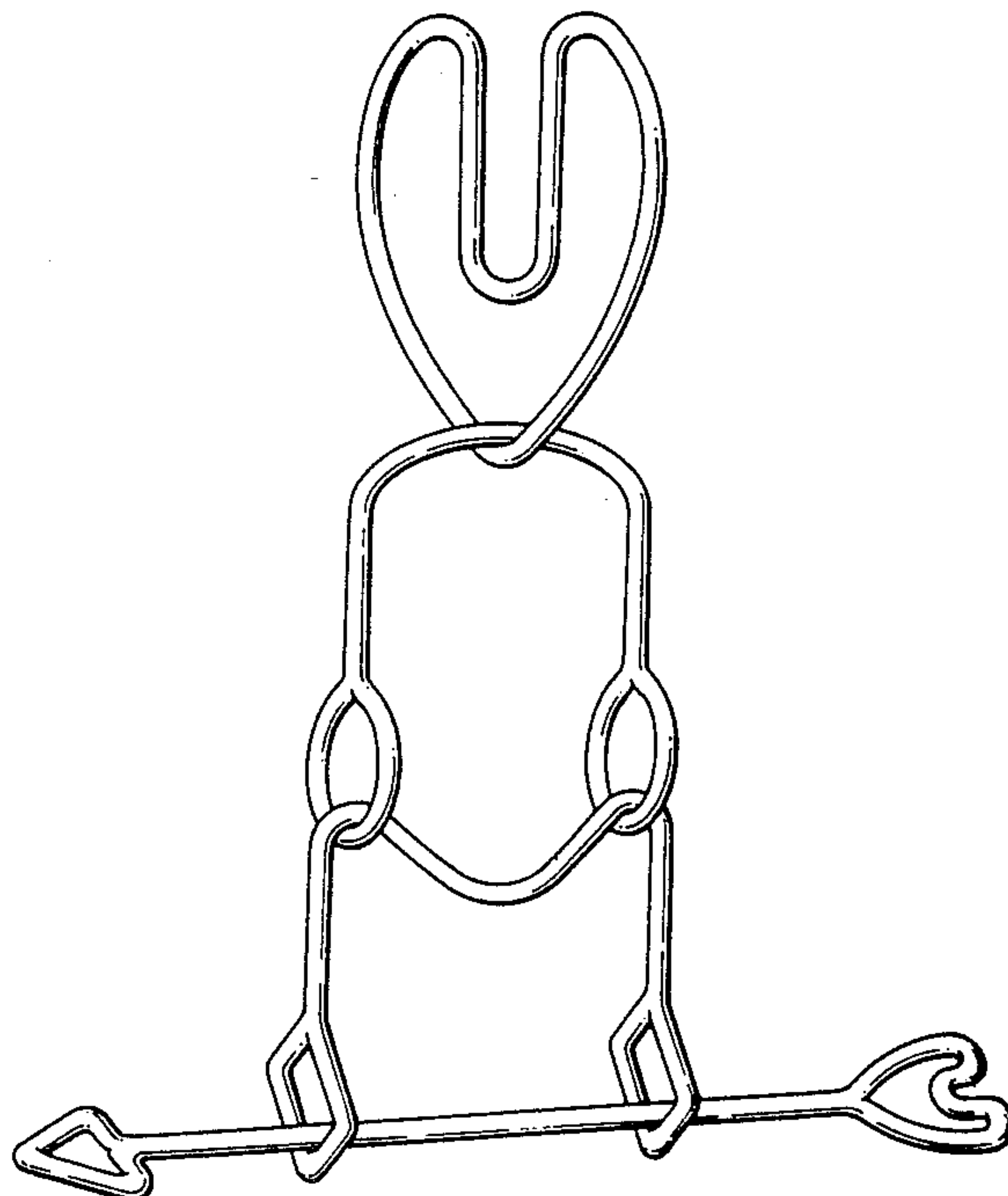
Primary Examiner—Charles A. Rademaker
Attorney, Agent, or Firm—James E. Nilles

[57] **CLAIM**

The ornamental design for a wire puzzle, as shown and described.

DESCRIPTION

FIG. 1 is a front elevational view of a wire puzzle showing my new design;
FIG. 2 is a top plan view thereof;
FIG. 3 is a bottom plan view thereof;
FIG. 4 is a rear elevational view thereof;
FIG. 5 is a left side elevational view thereof;
FIG. 6 is a right side elevational view thereof;
FIG. 7 is a cross-sectional view thereof as taken from line VII—VII of FIG. 1;
FIG. 8 is a cross-sectional view thereof as taken from line VIII—VIII of FIG. 5; and
FIG. 9 is a perspective view thereof.



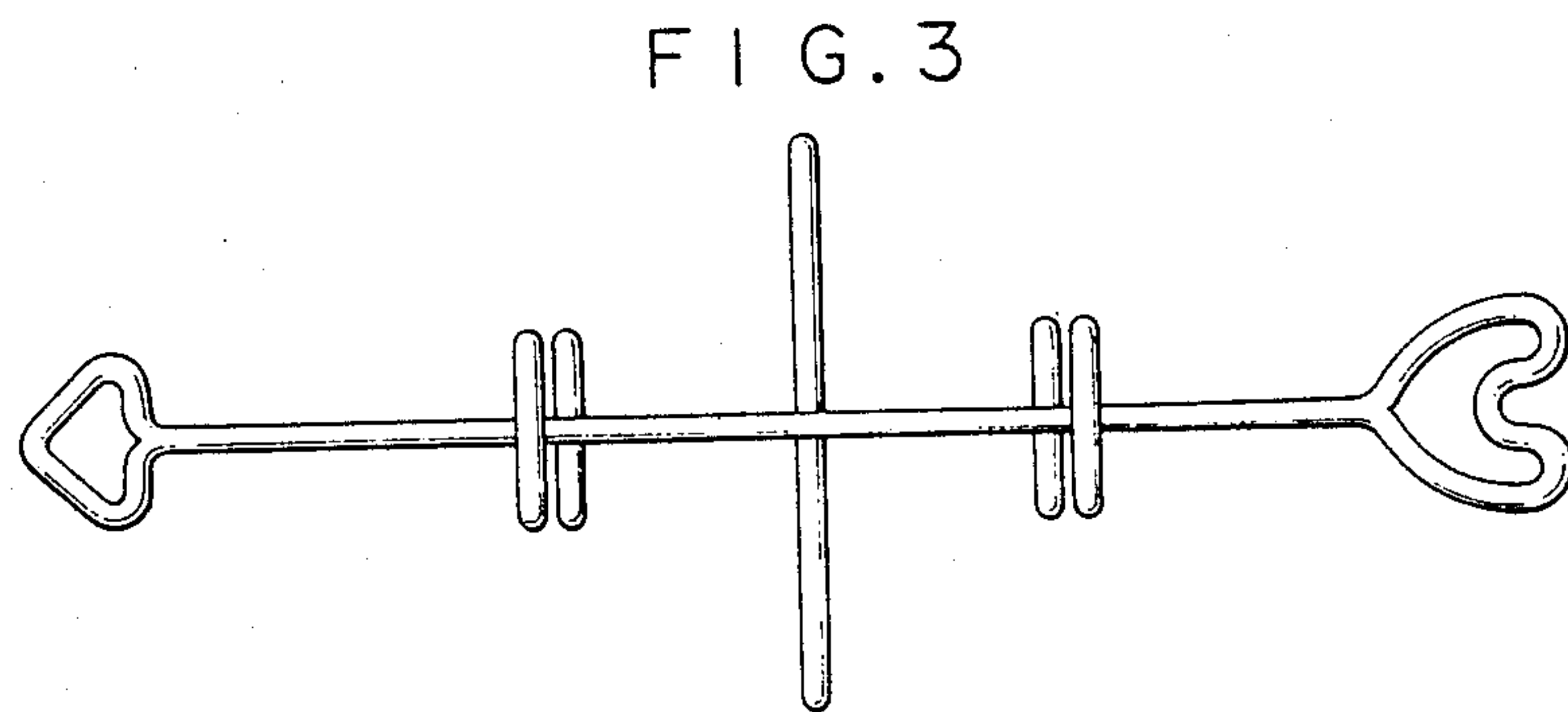
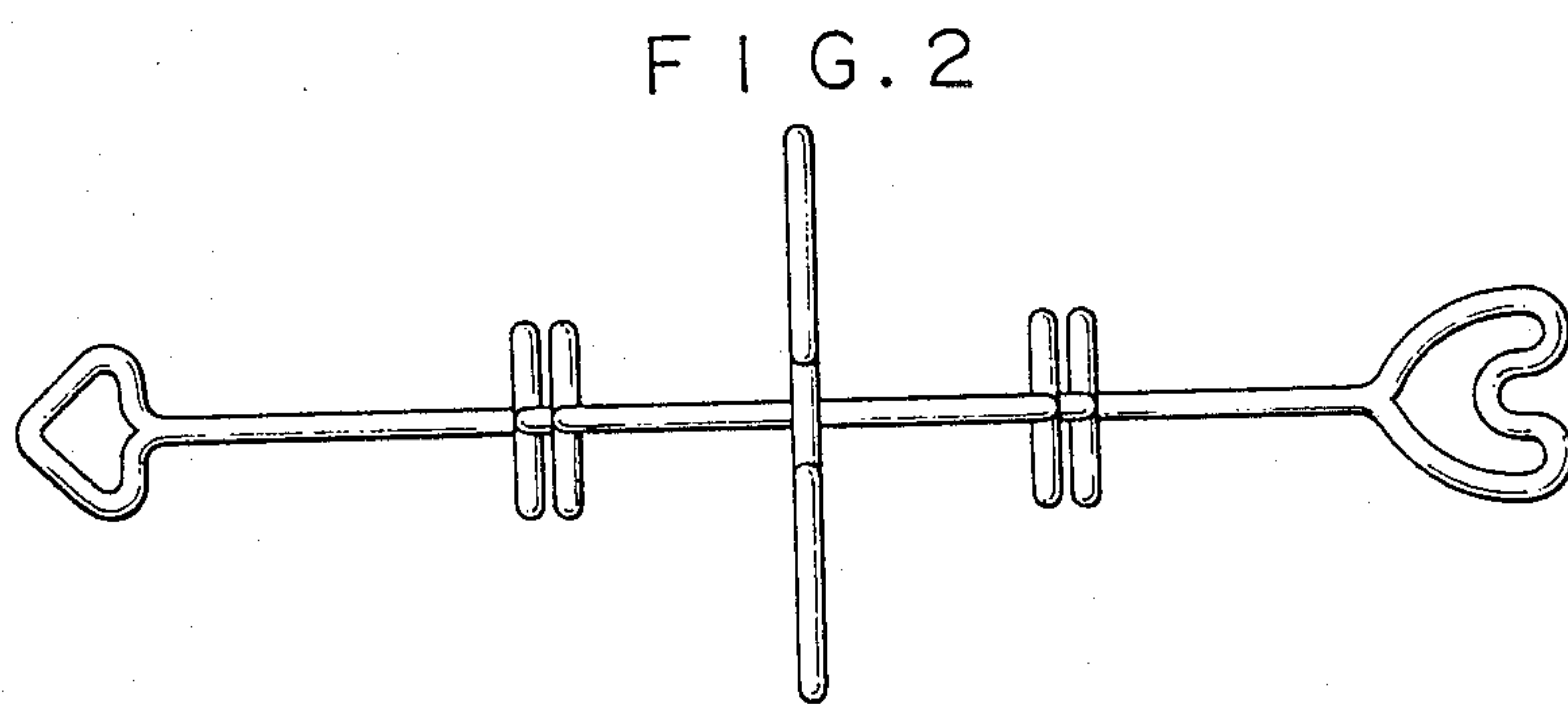
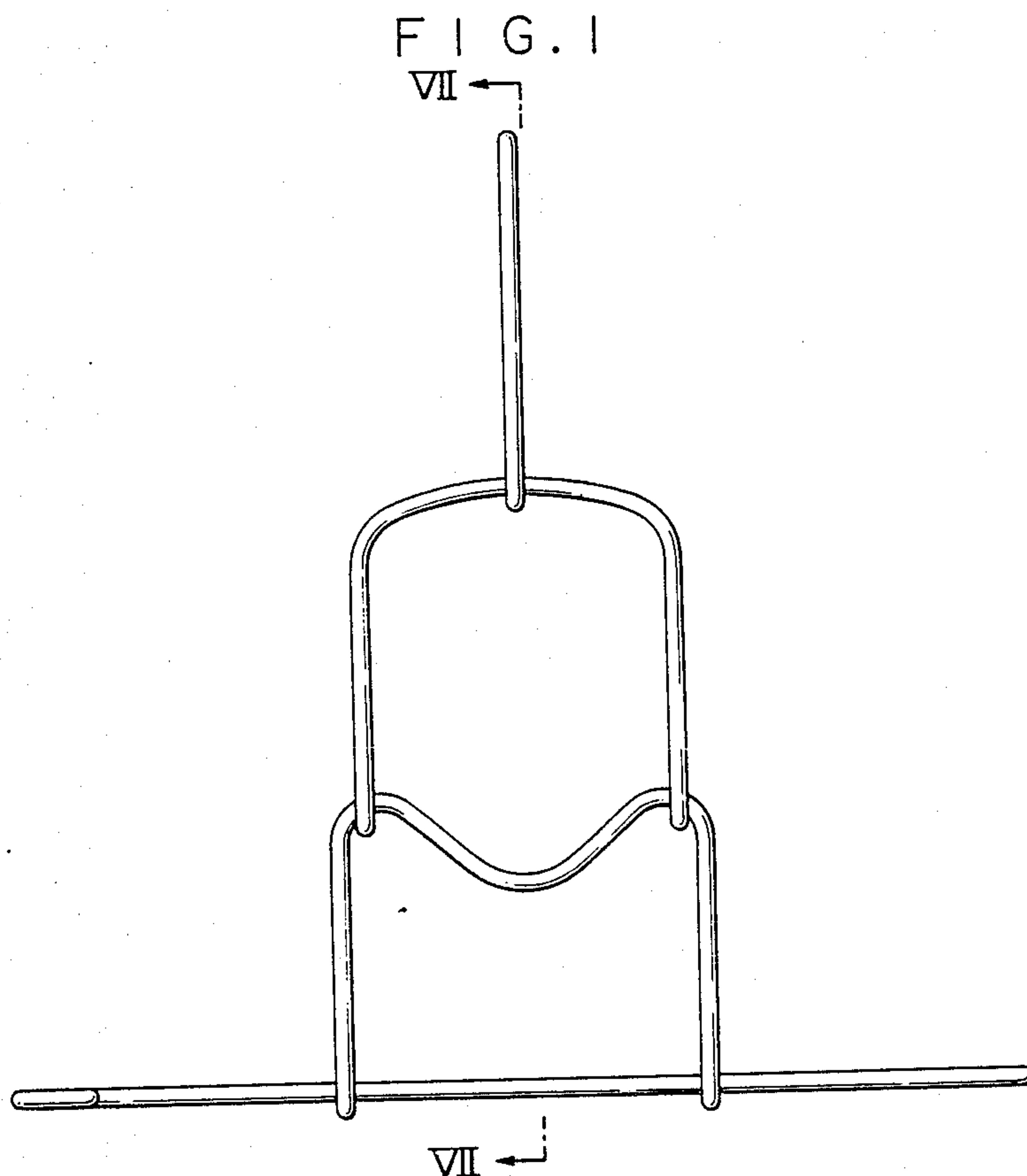


FIG. 4

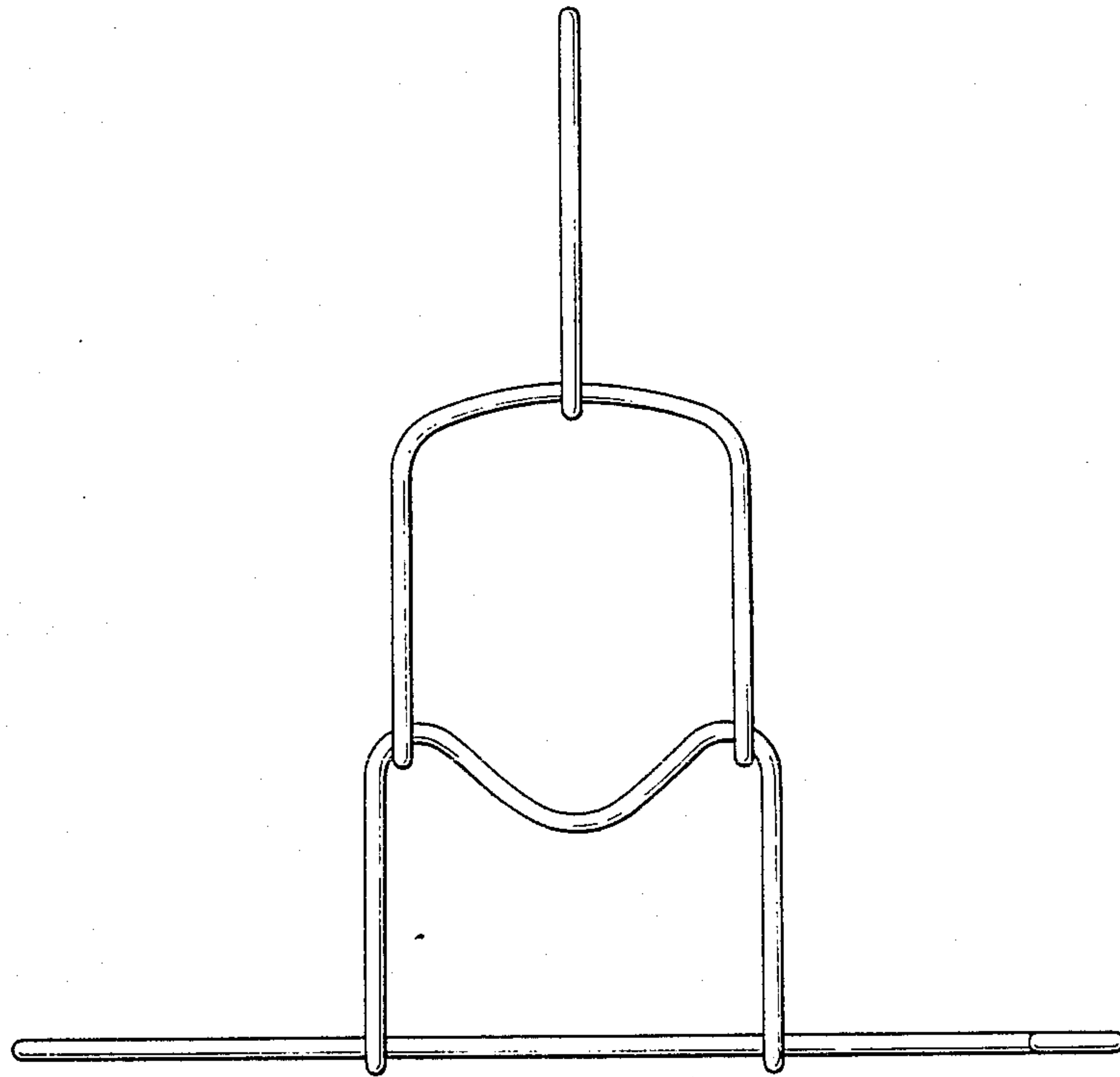


FIG. 5

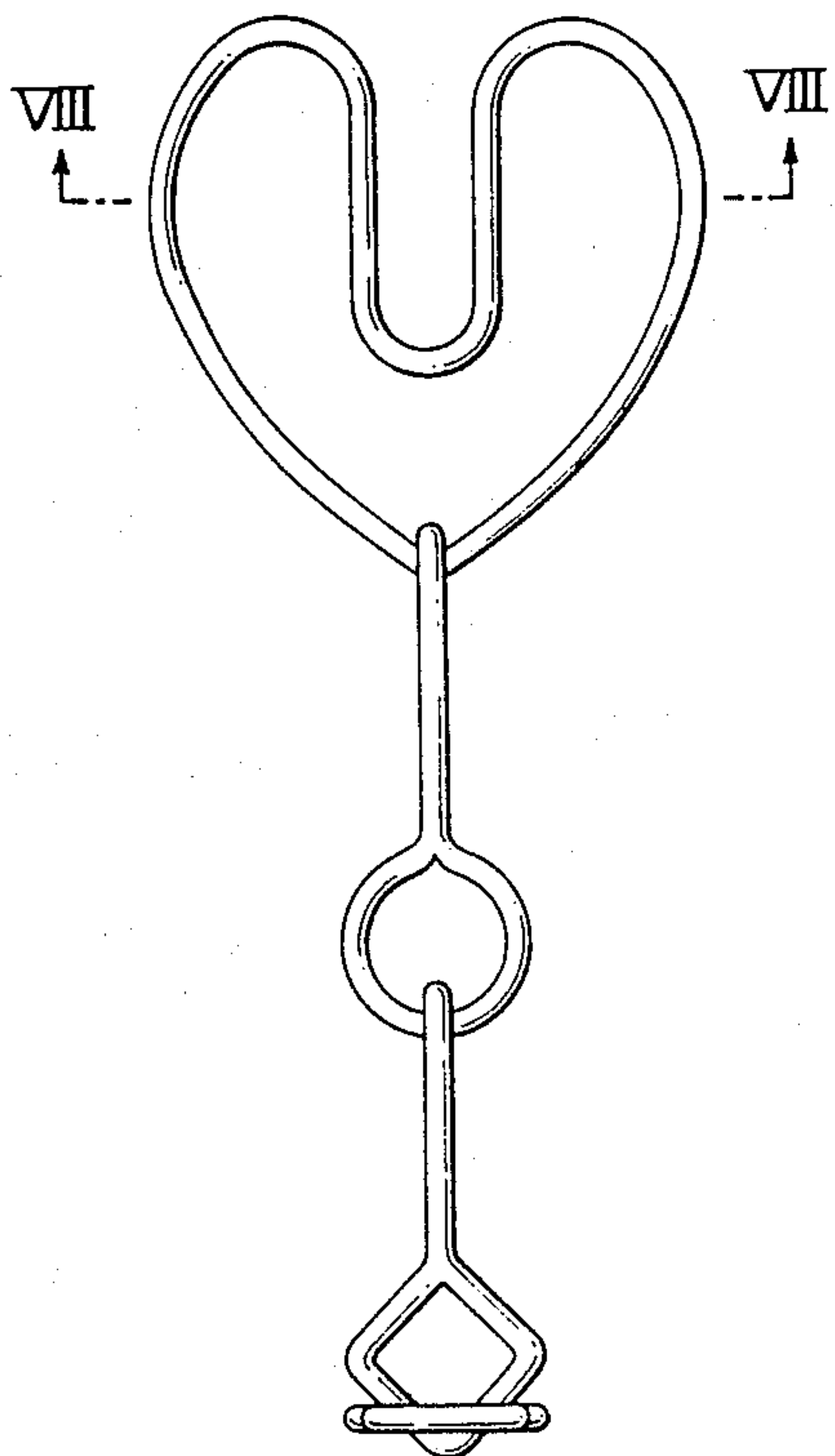


FIG. 6

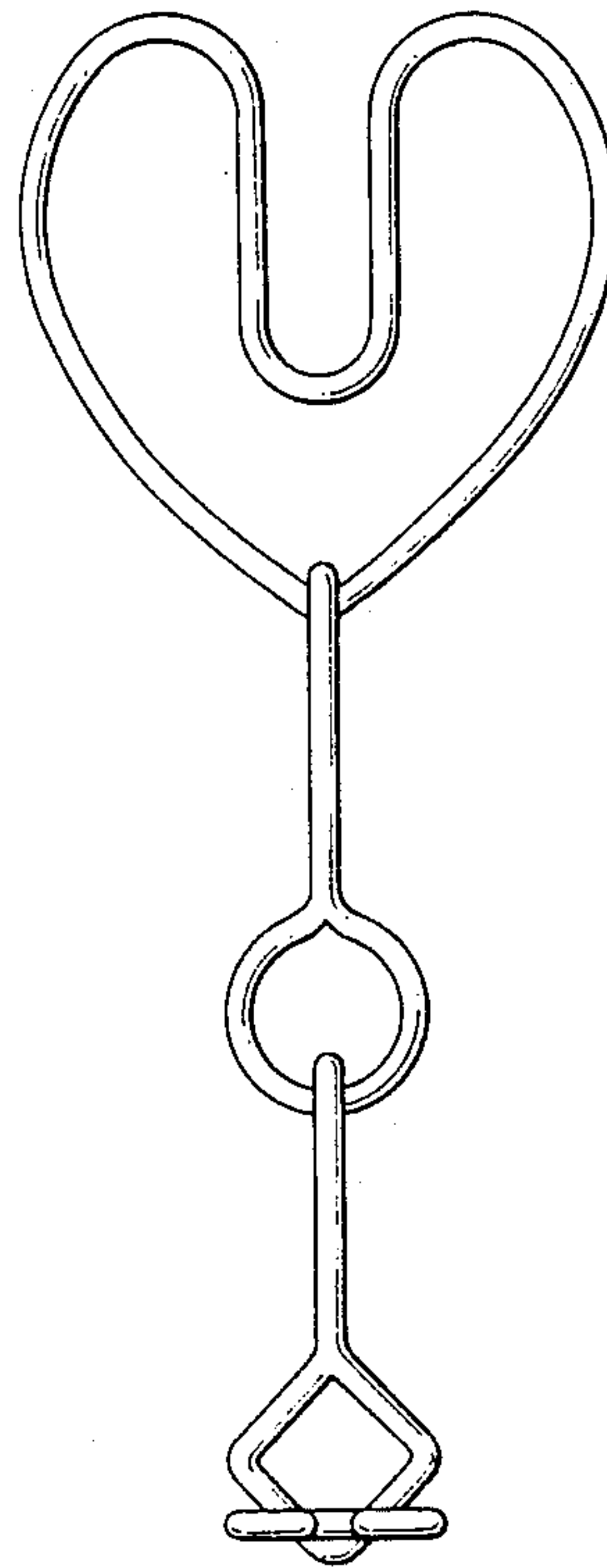


FIG. 7

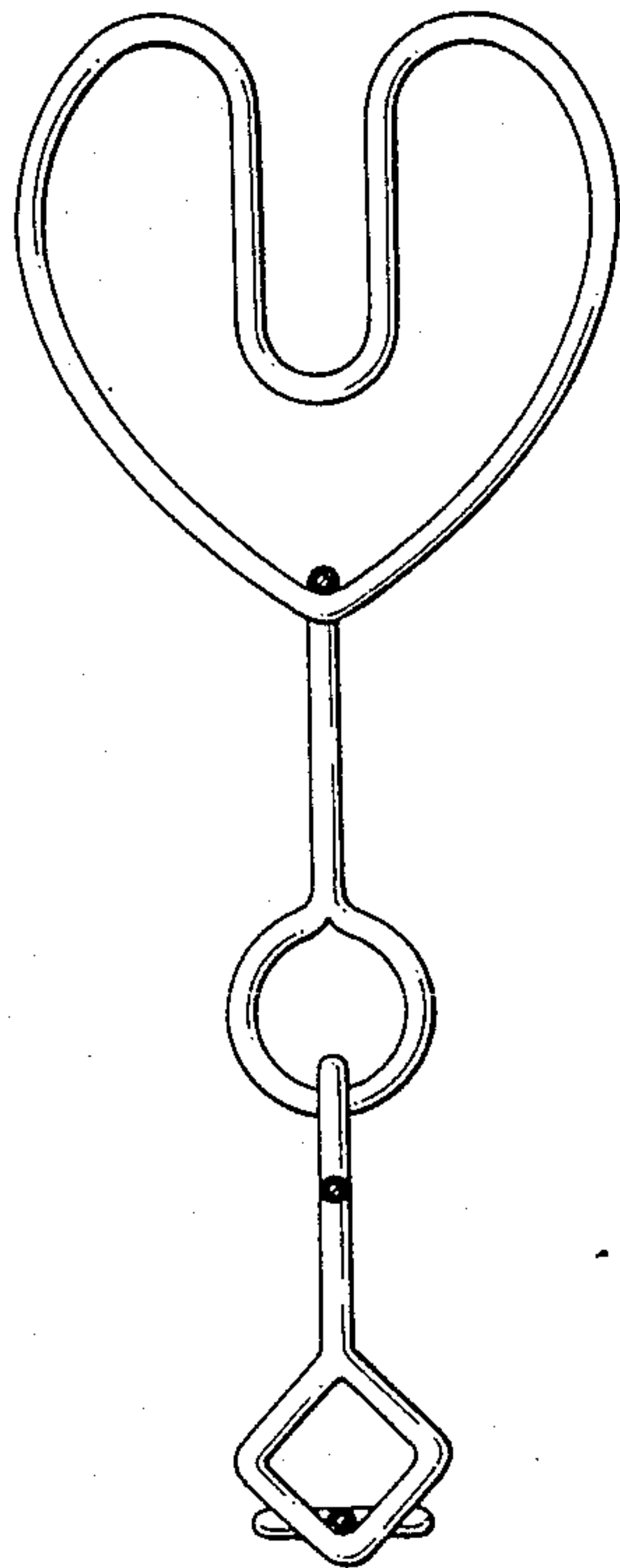


FIG. 8



FIG. 9

