

[54] **WHEEL HOLDER ELEMENT FOR A TOY AIRCRAFT**
[75] **Inventor: Erik P. Tapdrup, Virum, Denmark**
[73] **Assignee: Interlego A.G., Baar, Switzerland**
[**] **Term: 14 Years**
[21] **Appl. No.: 128,525**
[22] **Filed: Dec. 2, 1987**
[52] **U.S. Cl. D21/91; D21/108**
[58] **Field of Search D21/82, 84, 85, 86, D21/87, 90, 91, 108, 150; 446/36, 85, 88, 93, 94, 102, 108, 116, 118, 120, 124**

D. 295,642 5/1988 Olsen D21/108
D. 296,346 6/1988 Thomsen D21/108

Primary Examiner—Charles A. Rademaker
Assistant Examiner—Alicia A. Farrell
Attorney, Agent, or Firm—Kane, Dalsimer, Sullivan, Kurucz, Levy, Eisele and Richard

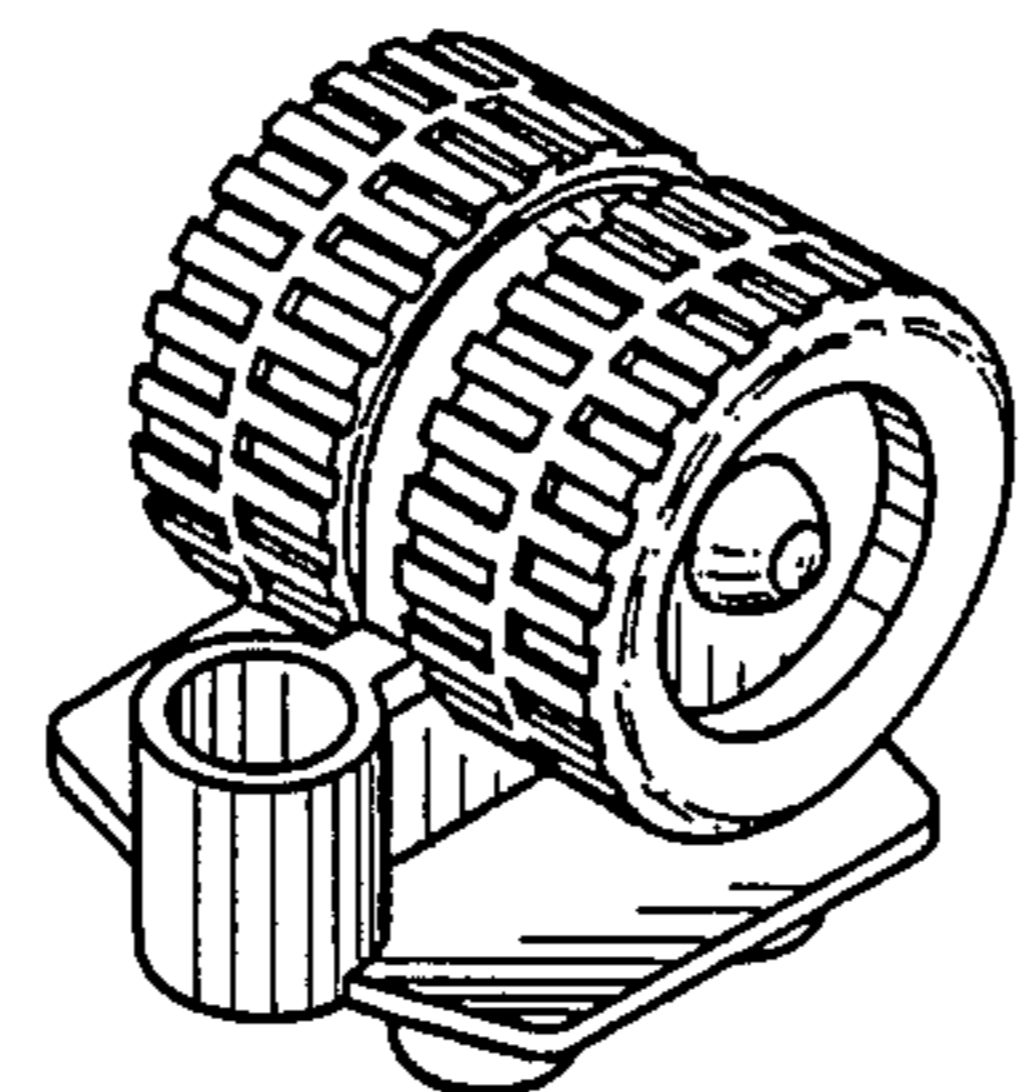
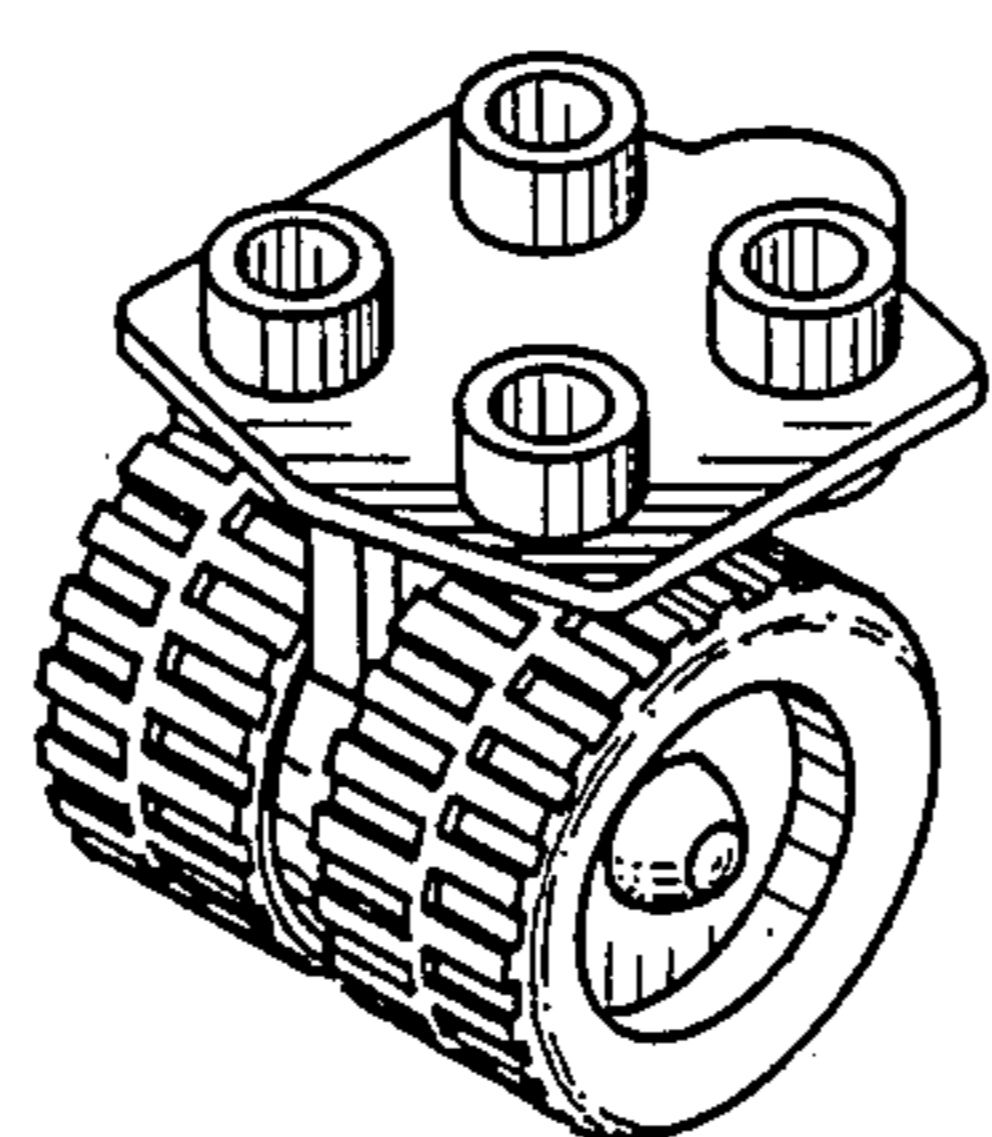
[57] **CLAIM**

The ornamental design for a wheel holder element for a toy aircraft, as shown and described.

DESCRIPTION

FIG. 1 is a top perspective view of a wheel holder element for a toy aircraft showing my new design; FIG. 2 is a bottom perspective view thereof; FIG. 3 is a rear elevational view thereof; FIG. 4 is a side elevational view thereof; the side opposite being a mirror image; FIG. 5 is a front elevational view thereof; FIG. 6 is a top plan view thereof; and FIG. 7 is a bottom plan view thereof.

[56] **References Cited**
U.S. PATENT DOCUMENTS
D. 233,542 11/1974 Christiansen D21/108
D. 262,045 11/1981 Nakao et al. D21/108
D. 280,533 9/1985 Pedersen D21/108



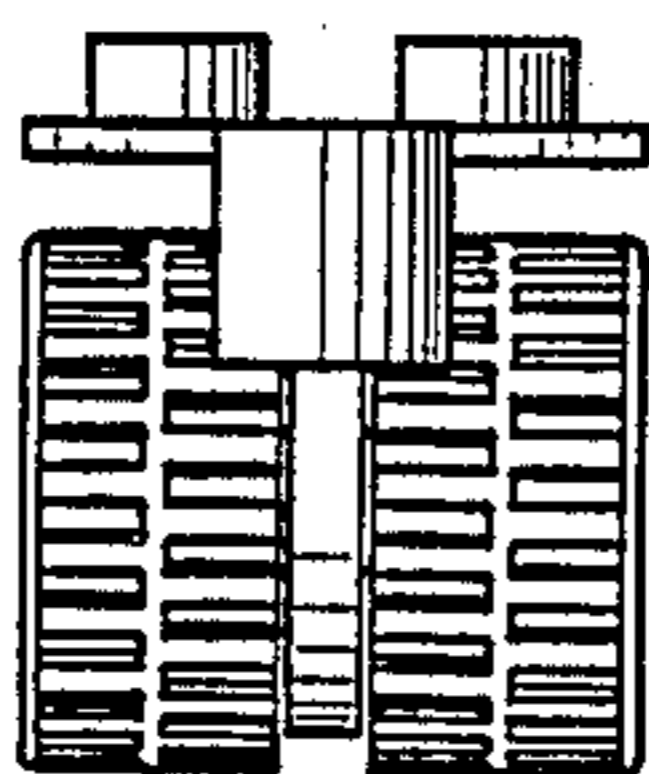


FIG. 3

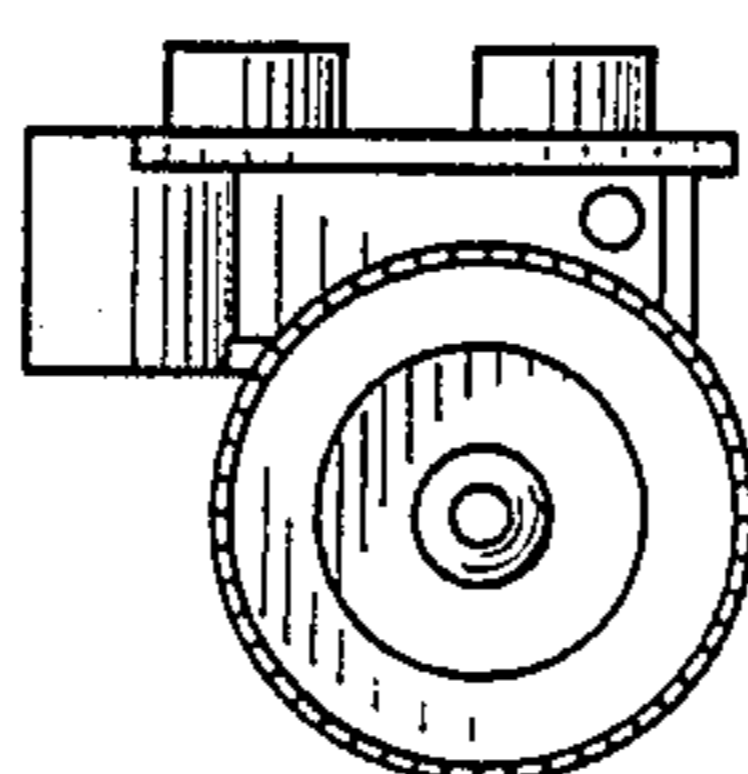


FIG. 4

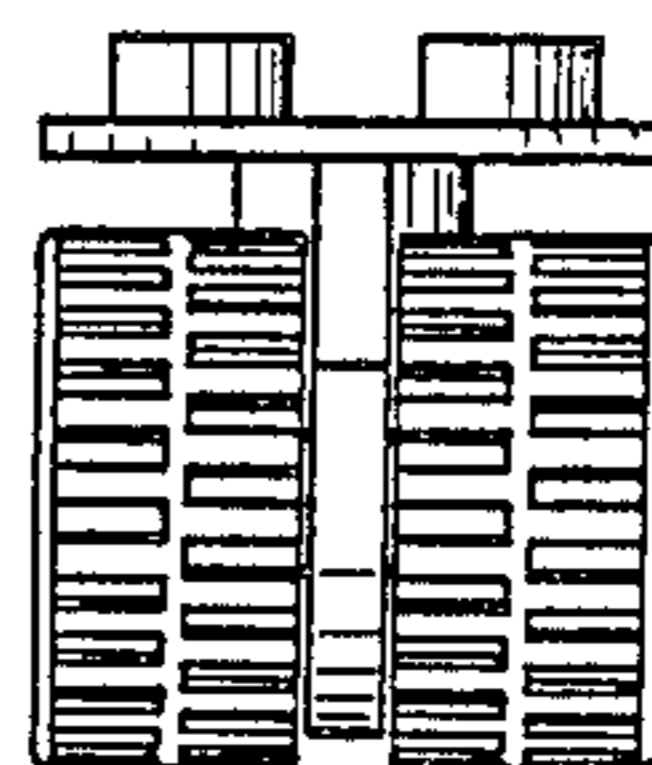


FIG. 5

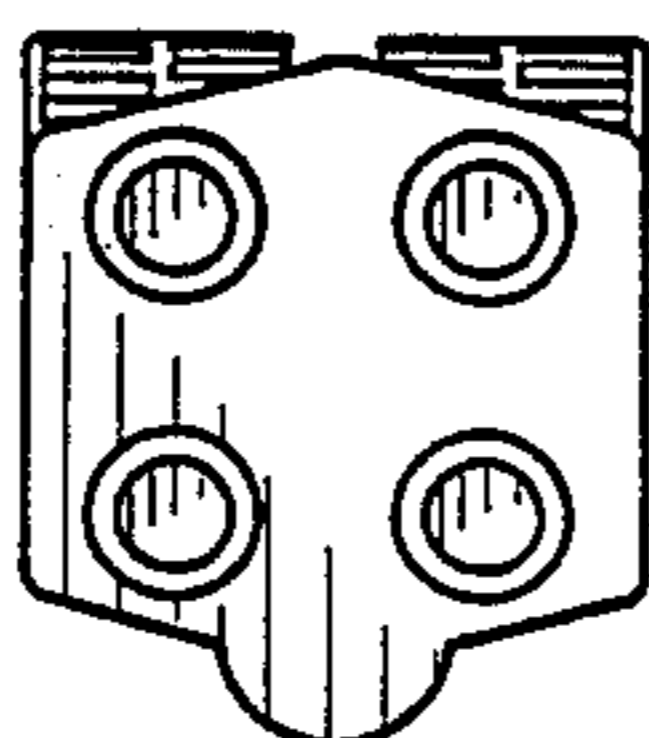


FIG. 6

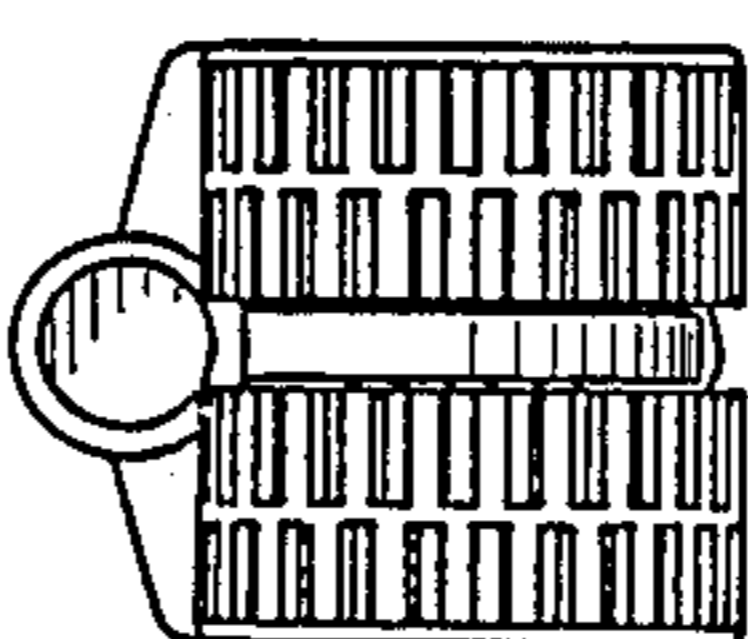


FIG. 7

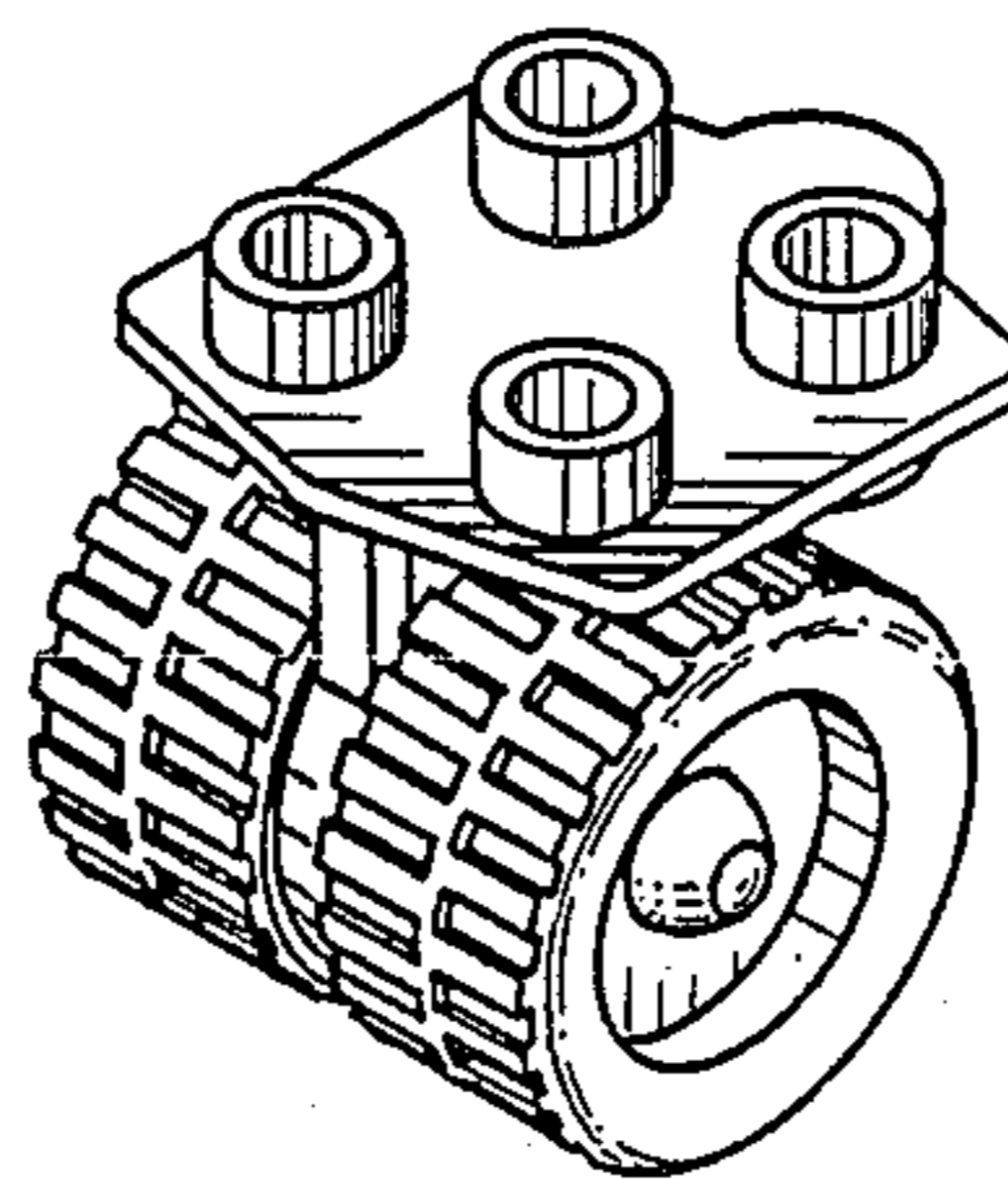


FIG. 1

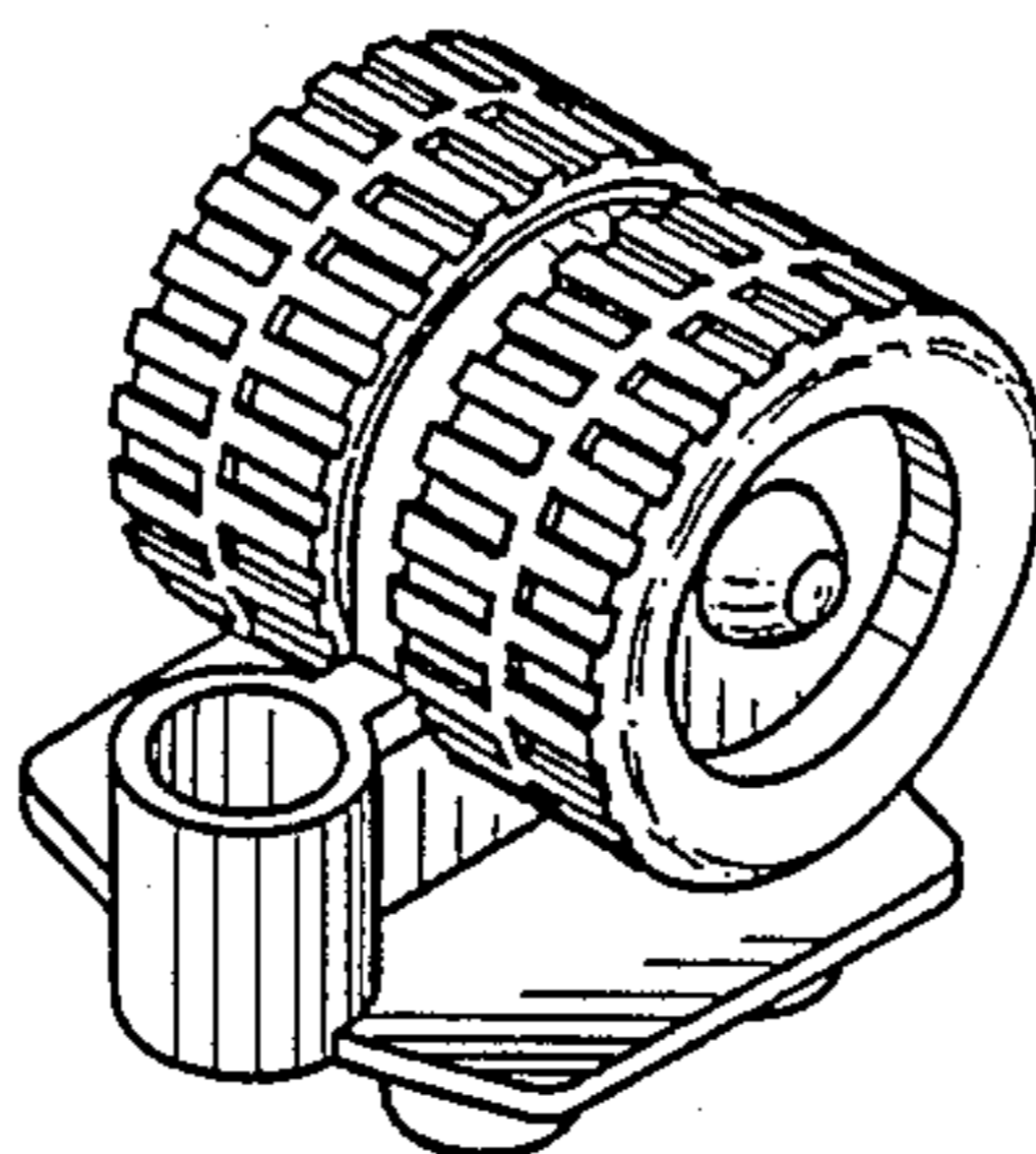


FIG. 2