

[54] DISPENSER/MOUNT FOR INFORMATIONAL SHEETS

[75] Inventor: James L. Thul, Plymouth, Minn.

[73] Assignee: Bureau of Engraving, Inc., Minneapolis, Minn.

[**] Term: 14 Years

[21] Appl. No.: 842,041

[22] Filed: Mar. 7, 1986

[52] U.S. Cl. D20/22

[58] Field of Search D20/10, 11, 23, 27, D20/28, 18, 19, 20, 22, 43, 42, 99; D8/373, 372, 349; 40/10 R, 2 R, 11 R, 23 A, 152.1; 206/506, 806, 813

[56] **References Cited**

U.S. PATENT DOCUMENTS

D. 288,774 3/1987 Alshooler D20/43 X

790,227 5/1905 Reid 40/665

1,477,605 12/1923 Steigerwald et al. 40/658 X

1,632,856 6/1927 Running 40/658 X

1,835,098 12/1931 Shedd .

2,317,204 4/1943 Lowenthal 40/152.1 X

3,190,490 6/1965 Membrino 206/806 X

4,016,977 4/1977 Krautsack 206/526

4,152,851 5/1979 Goldstein 40/10 R

4,420,082 12/1983 Bernie 206/526

4,537,310 8/1985 Thul 206/526

4,645,165 2/1987 Raap 40/152.1 X

Primary Examiner—Susan J. Lucas
Assistant Examiner—Freda S. Nunn
Attorney, Agent, or Firm—Lawrence M. Nawrocki

[57] **CLAIM**

The ornamental design for a dispenser/mount for informational sheets, as shown and described.

DESCRIPTION

FIG. 1 is a top, front and right side perspective view of the dispenser/mount for informational sheets, the pad of sheets being shown in broken lines for illustrative purposes only;

FIG. 2 is a bottom rear left side perspective view thereof.

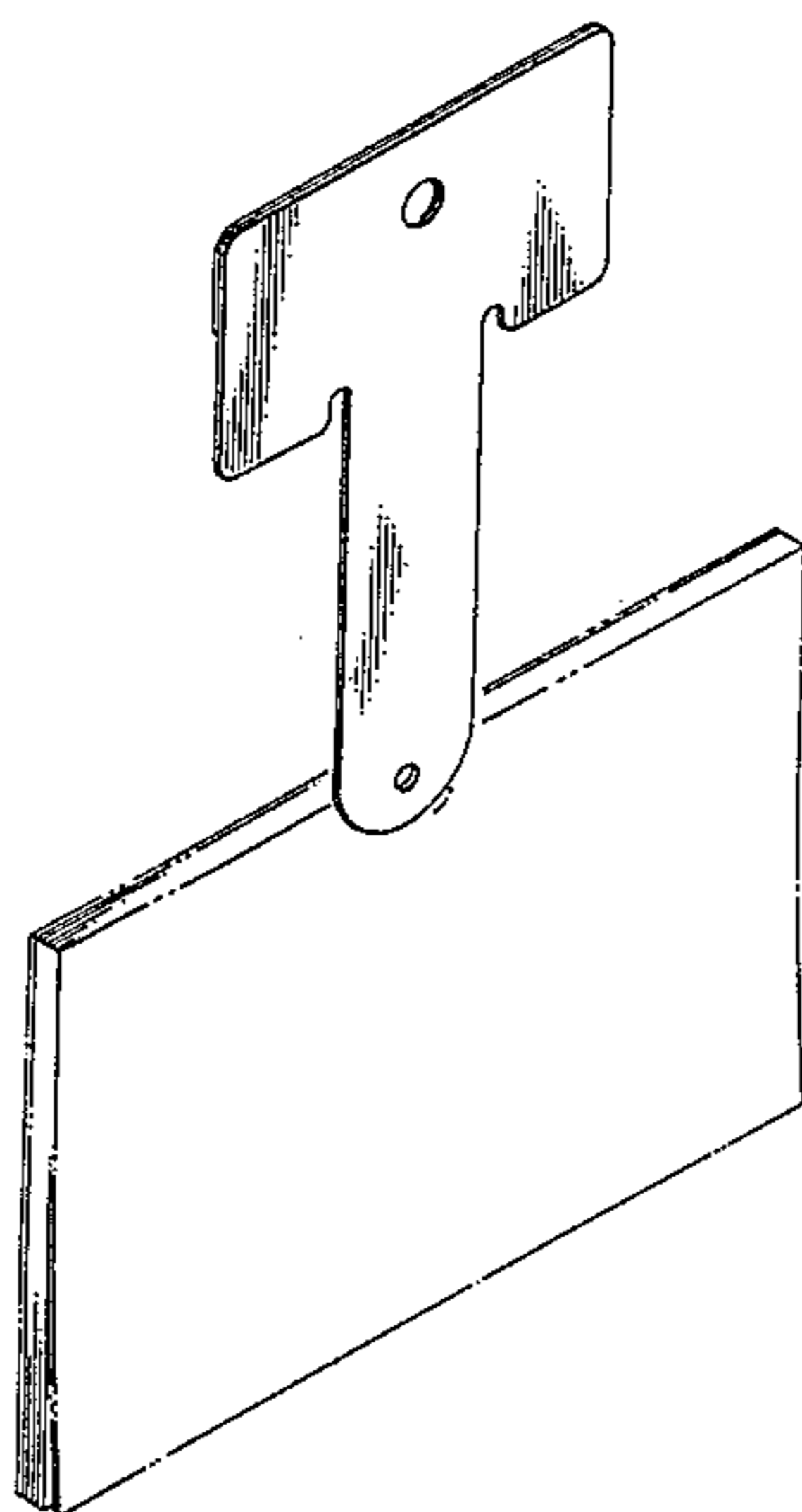


Fig. 1

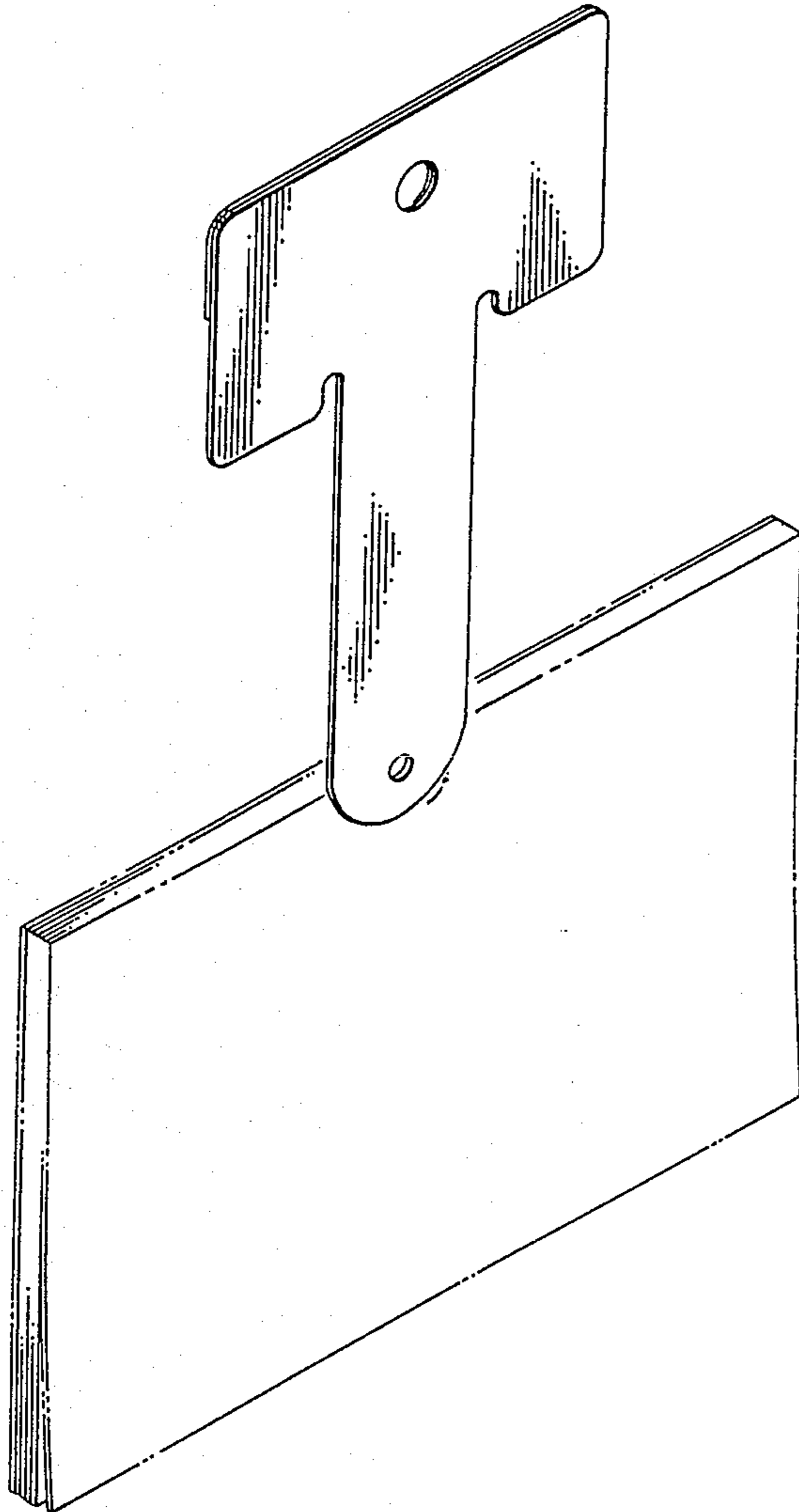


Fig. 2

