

[54] RAILROAD WARNING SIGN

3,672,323 6/1972 Hawes 116/28 R
3,715,821 2/1973 Hawes 116/173

[76] Inventors: Robert D. Henderson, 12806 Castle Rd., Louisville, Ky. 40272; Robert L. Poore, Jr., 1537 Walter Ave., Louisville, Ky. 40215

[**] Term: 14 Years

[21] Appl. No.: 945,328

[22] Filed: Dec. 23, 1986

[52] U.S. Cl. D20/10

[58] Field of Search D6/511; D10/109, 113; D20/10, 12, 17, 19, 21, 24, 25, 30, 31, 33, 37, 41; 40/299, 308, 448, 473, 538, 545, 564, 571, 584, 593, 597, 603, 606, 607; 248/469, 475.1; D12/155, 217; D99/17, 18, 24, 29; 116/28 R, 173, 175

[56] References Cited

U.S. PATENT DOCUMENTS

D. 296,542	7/1988	Binford	D12/155
755,143	3/1904	Landers	116/175
2,168,484	8/1939	Loux	116/173
3,067,717	12/1962	Imparato	116/173
3,158,132	11/1964	Guthrie	116/28 R

OTHER PUBLICATIONS

Aldon Railway and Industrial Products Catalogue, p. 6, Portable Type Warning Sign.

Primary Examiner—James M. Gandy
Assistant Examiner—Lisa Lichtenstein
Attorney, Agent, or Firm—Burns, Doane, Swecker & Mathis

[57] CLAIM

The ornamental design for a railroad warning sign, as shown and described.

DESCRIPTION

FIG. 1 is a front elevational view of a railroad warning sign showing our new design, it being understood that the broken lines are for illustrative purposes only and form no part of the claimed design; FIG. 2 is a right side elevational view thereof; FIG. 3 is a top plan view thereof; FIG. 4 is a bottom plan view thereof; FIG. 5 is a left elevational view thereof; and FIG. 6 is a rear elevational view thereof.

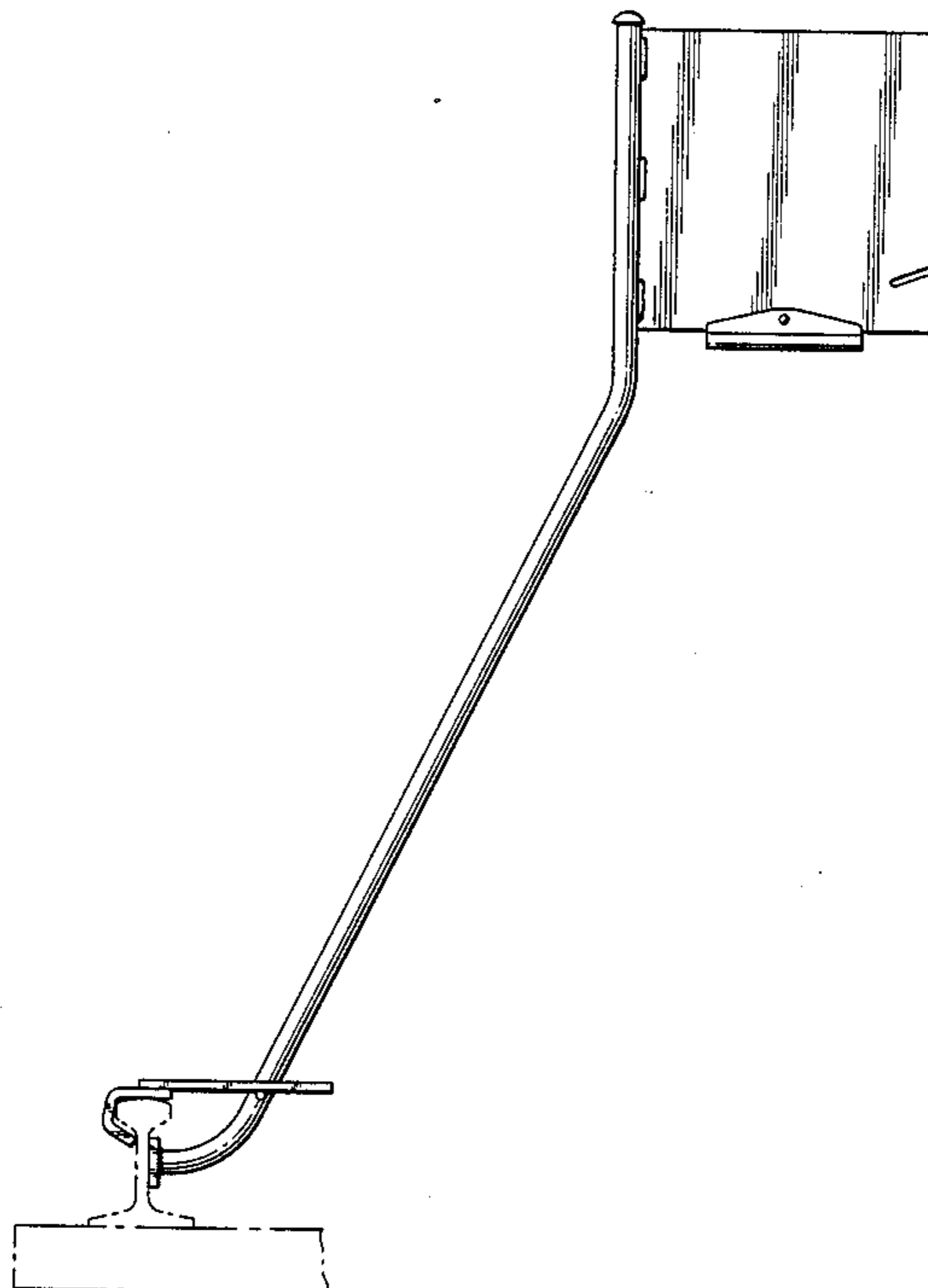


FIG. 1

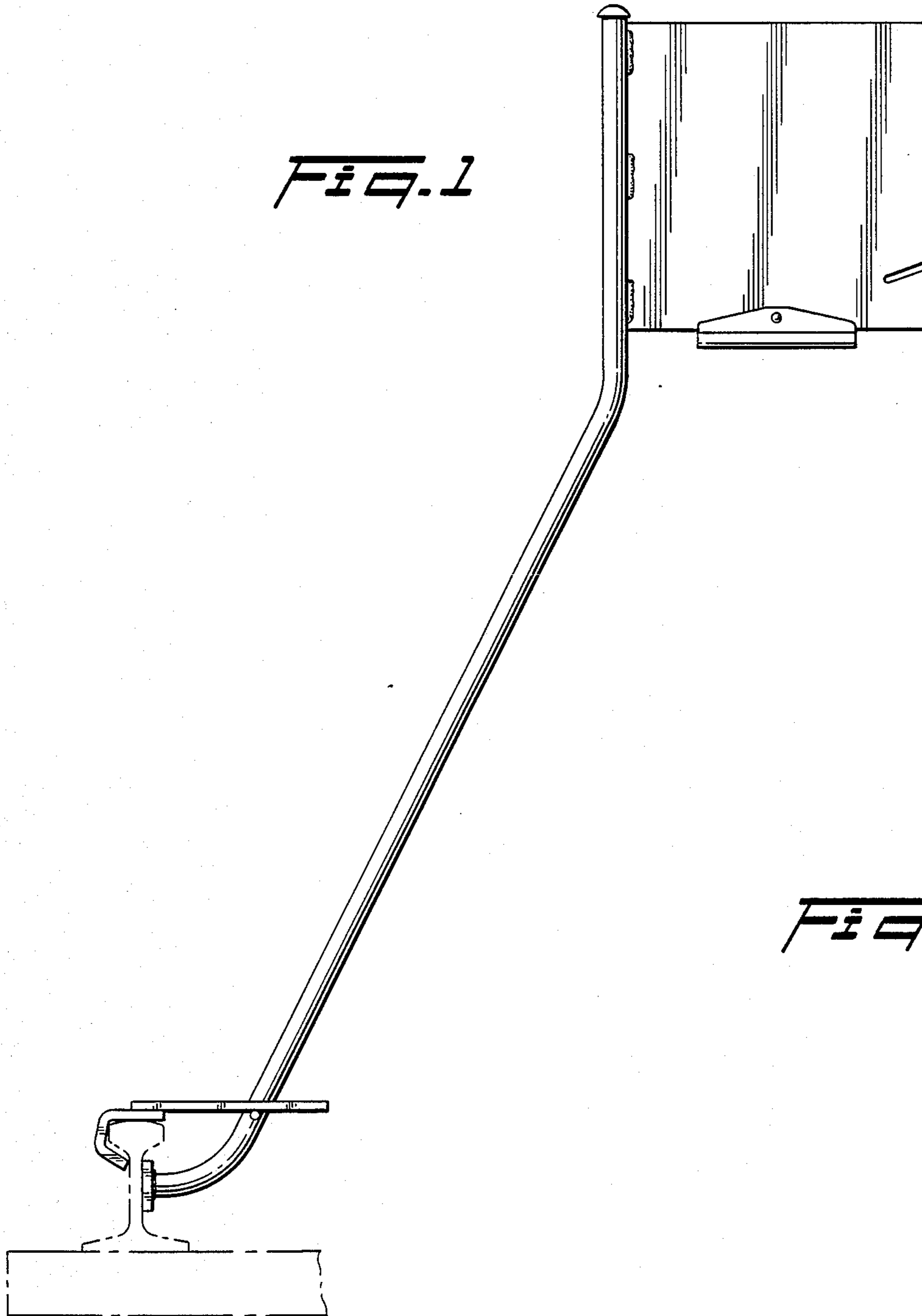


FIG. 2

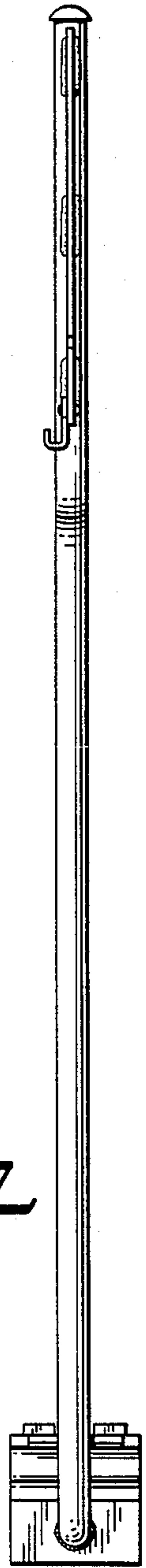
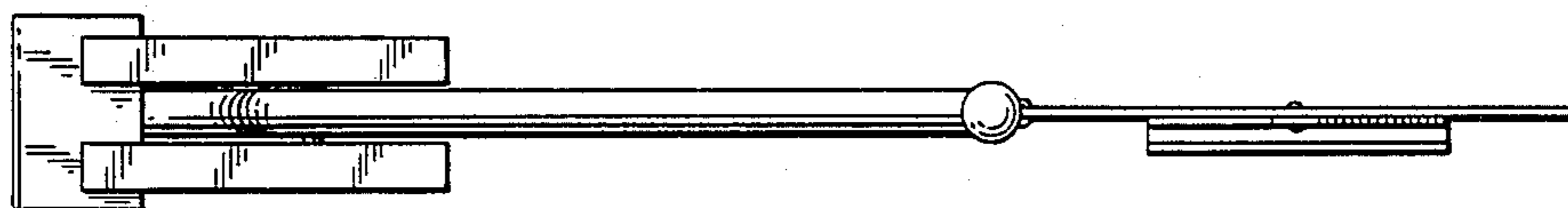


FIG. 3



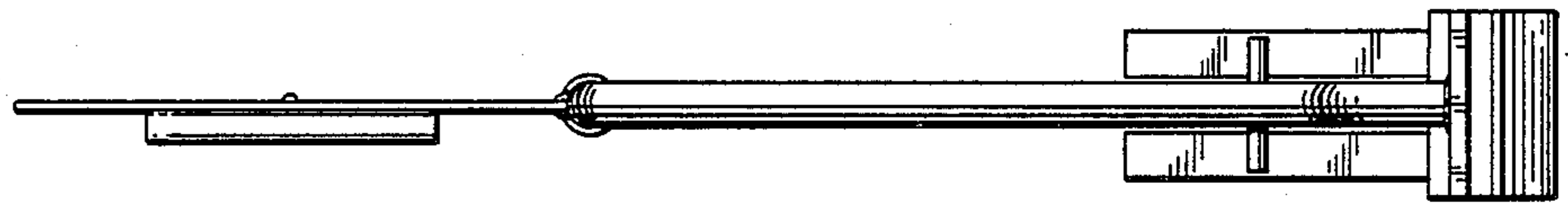


Fig. 4

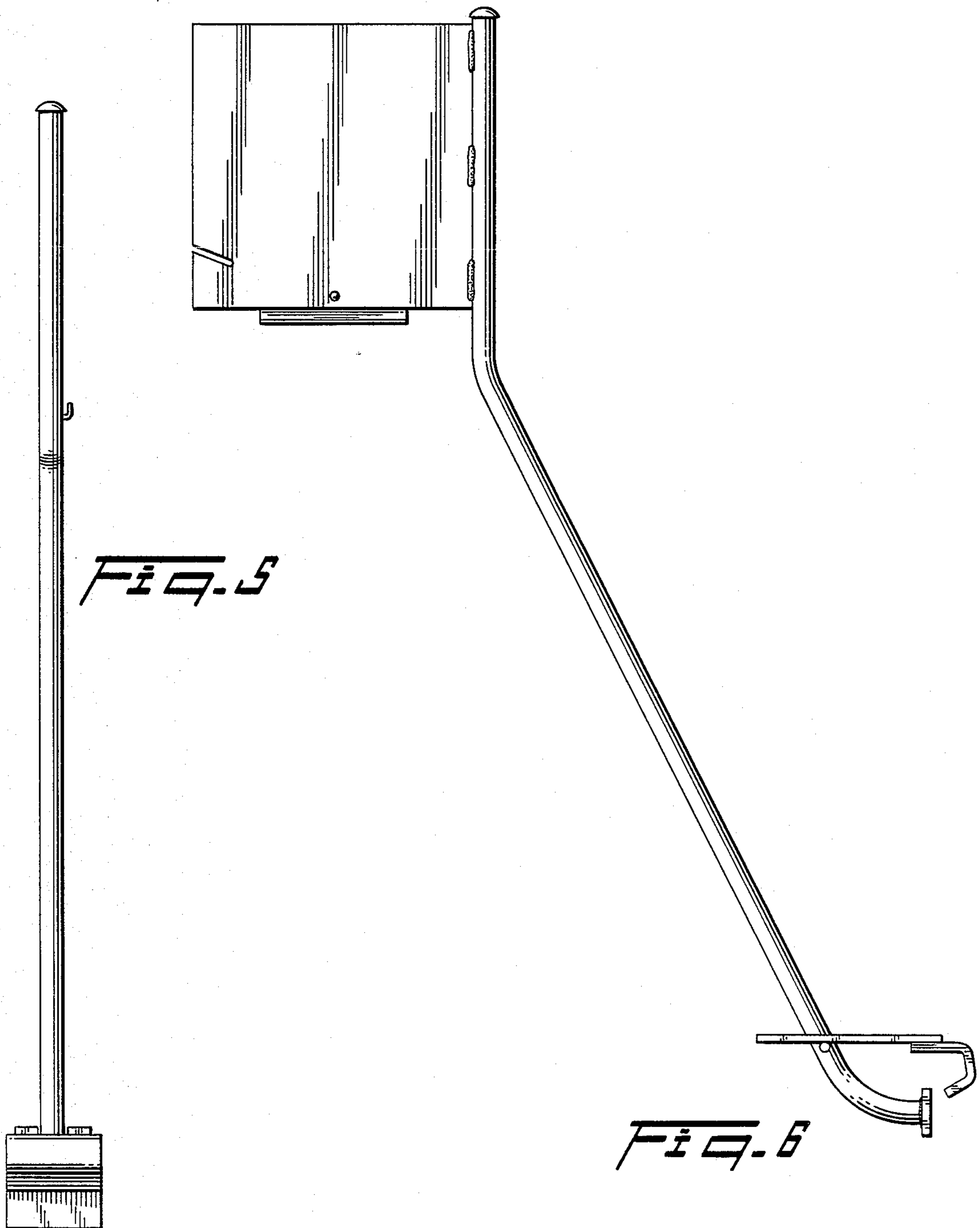


Fig. 5

Fig. 6