

[54] **SLIDE VIEWER**

[75] **Inventor:** Udo M. Geissler, Munich, Fed. Rep. of Germany

[73] **Assignee:** OSRAM Gesellschaft mit beschraenkter Haftung, Munich, Fed. Rep. of Germany

[**] **Term:** 14 Years

[21] **Appl. No.:** 872,374

[22] **Filed:** Jun. 6, 1986

[30] **Foreign Application Priority Data**

Jan. 24, 1986 [DE] Fed. Rep. of Germany 16501
[52] **U.S. Cl.** D16/229; D16/225
[58] **Field of Search** D16/221, 223, 224, 225,
D16/229, 232, 234; 40/361, 362, 363, 365, 366,
367; 350/117, 123; 352/34, 104, 242, 243;
353/71, 72, 74, 75, 77, 79, 18, 119

[56] **References Cited**

U.S. PATENT DOCUMENTS

D. 160,037 9/1950 Van Alstyne D16/225
D. 210,916 4/1968 Scott D16/225
D. 289,660 5/1987 Geissler D16/229
3,704,054 10/1972 Robak D16/229

OTHER PUBLICATIONS

Honk Kong Enterprise-11/85 Catalog, p. 70; (all items).
German Design MR. 11 539 of Nov. 18, 1978; German
Design MR. 13 061 of Sep. 7, 1982; German Design
MR. 13 828 of Mar. 30, 1984; German Design MR. 14
068 of Oct. 8, 1984.

Primary Examiner—Melvin B. Feifer
Assistant Examiner—W. Krawczewicz
Attorney, Agent, or Firm—Frishauf, Holtz, Goodman &
Woodward

[57] **CLAIM**

The ornamental design for a slide viewer, as shown and described.

DESCRIPTION

FIG. 1 is a front perspective view of a slide viewer showing my new design;
FIGS. 2, 3 and 4 are, respectively, a left side view, front view and rear view thereof;
FIG. 5 is a top view;
FIG. 6 is a bottom view;
FIG. 7 is a perspective view, with a viewing screen upwardly extended, and slide loader pulled forwardly;
FIG. 8 is a left side view of the viewer of FIG. 7;
FIG. 9 is a right side view thereof;
FIG. 10 is a front view thereof;
FIG. 11 is a top view thereof;
FIG. 12 is a bottom view thereof;
The right-side view of the viewer, closed, is the mirror image of FIG. 2.

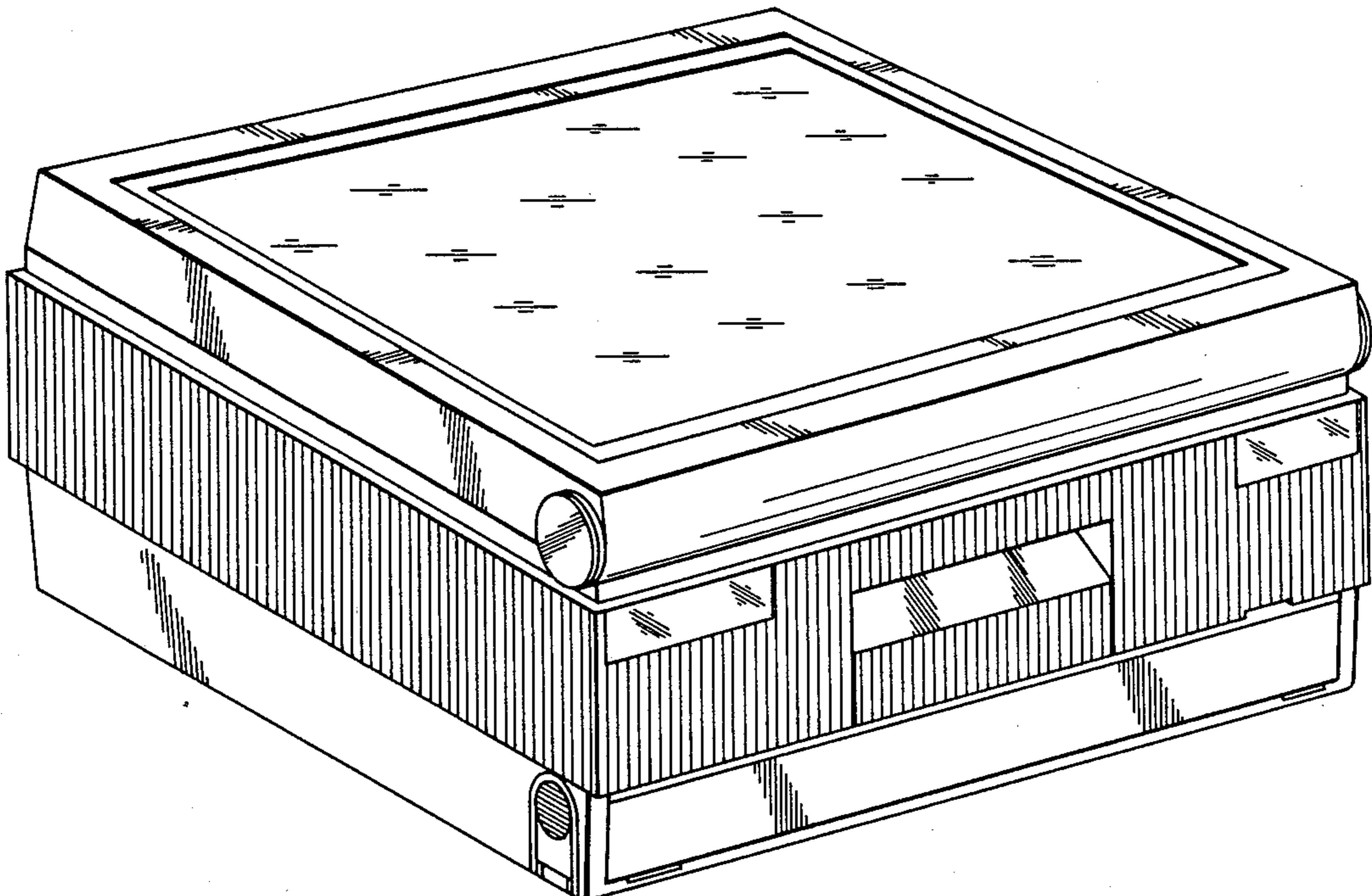


Fig. 1

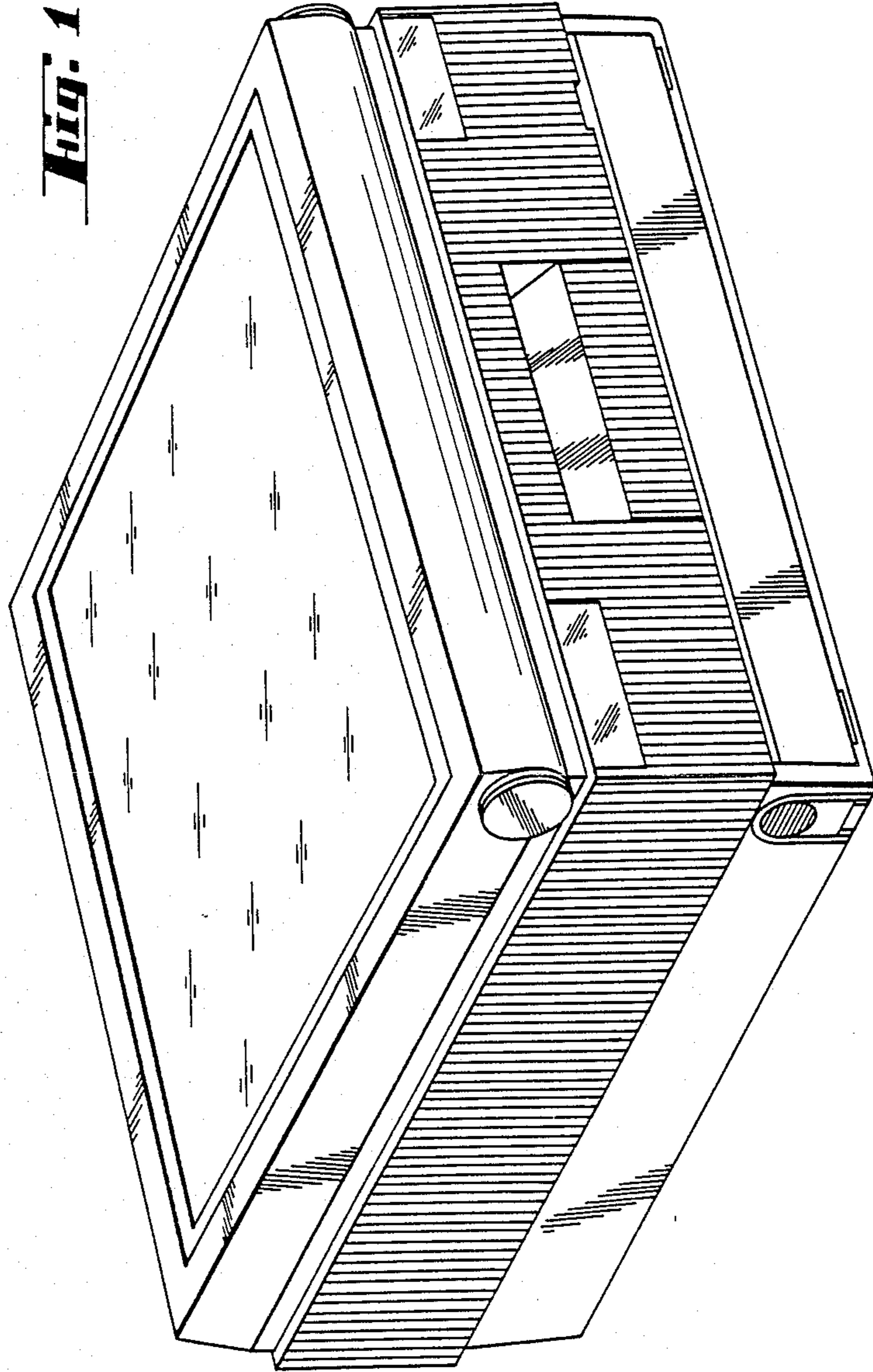


Fig. 2

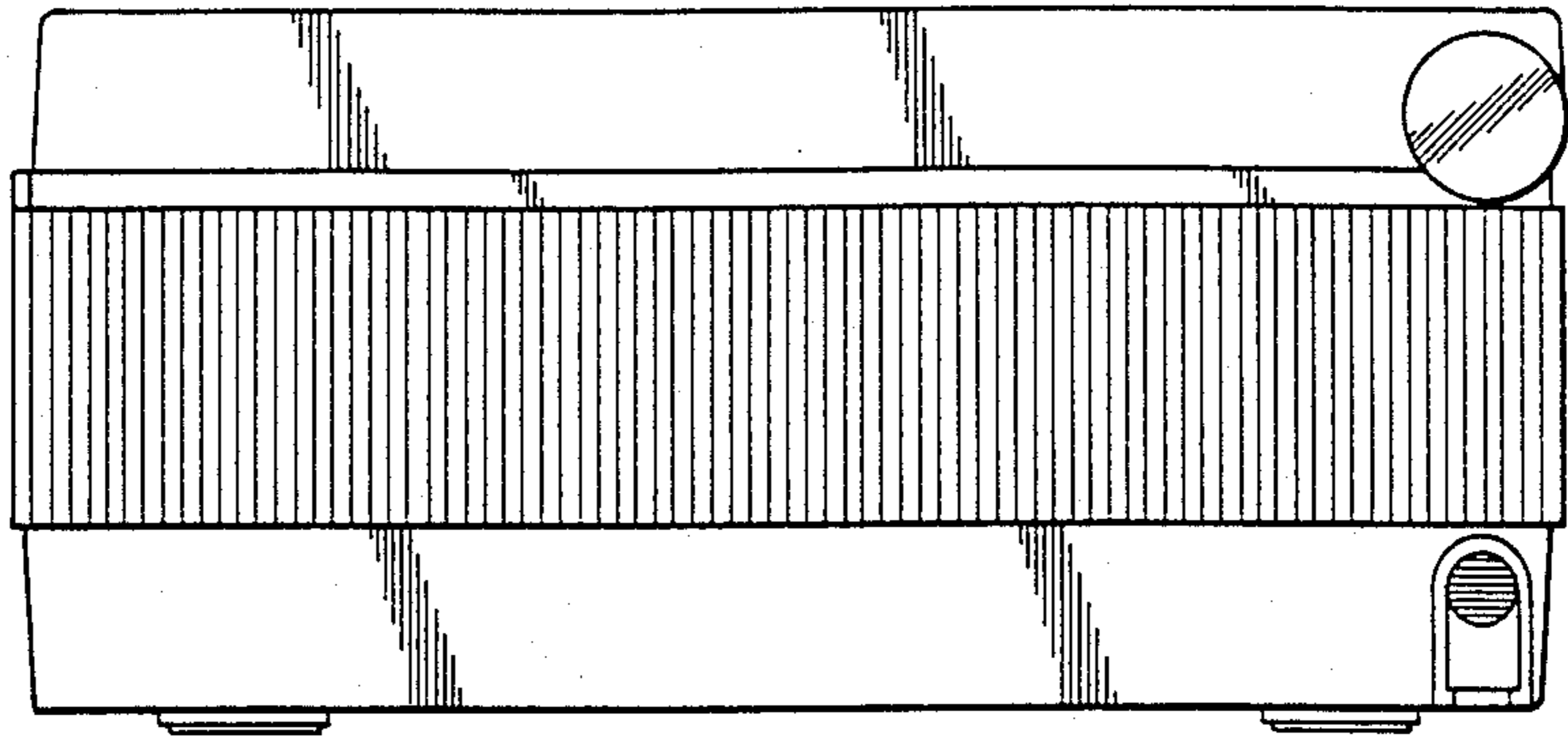


Fig. 3

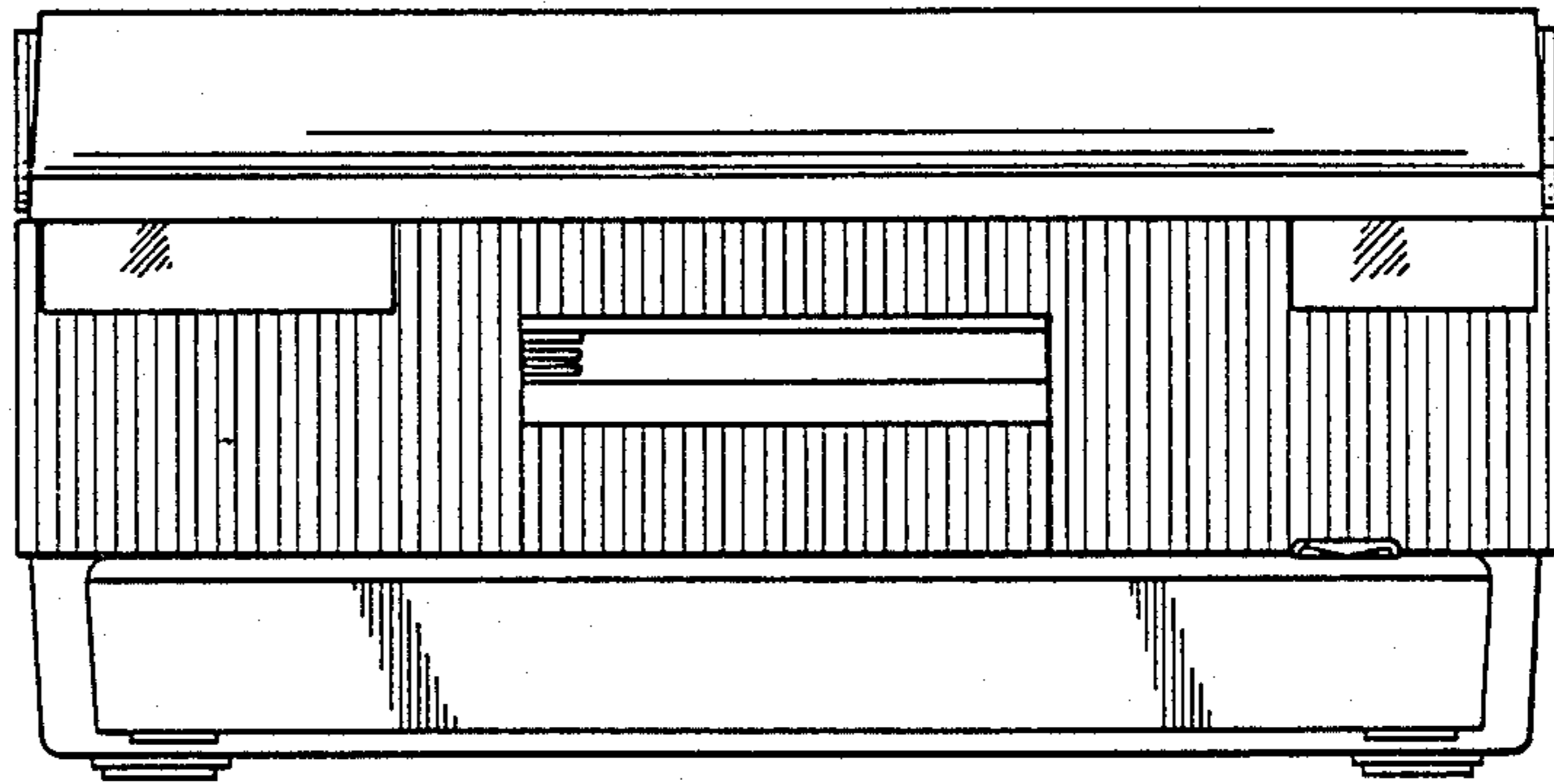


Fig. 4

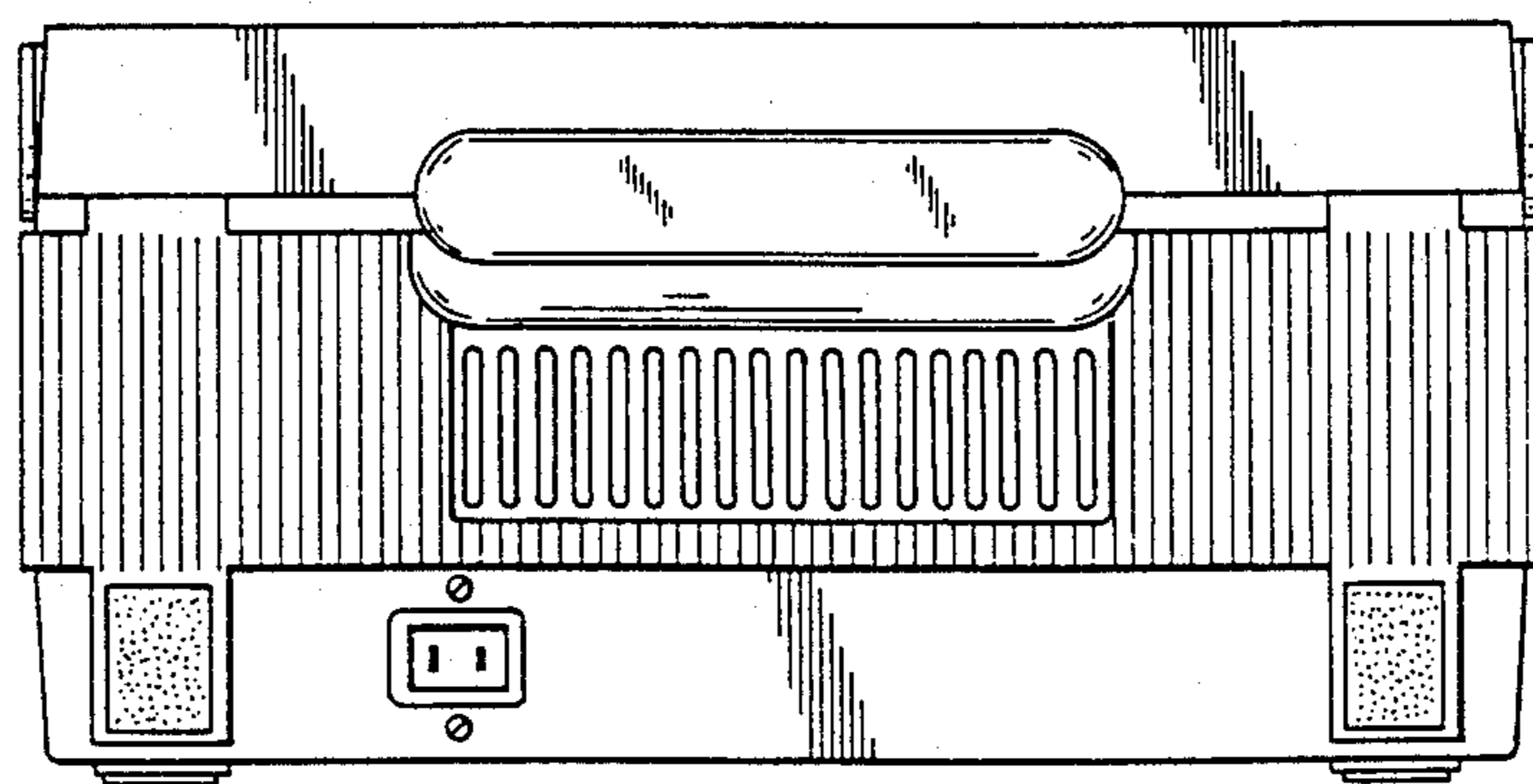


Fig. 5

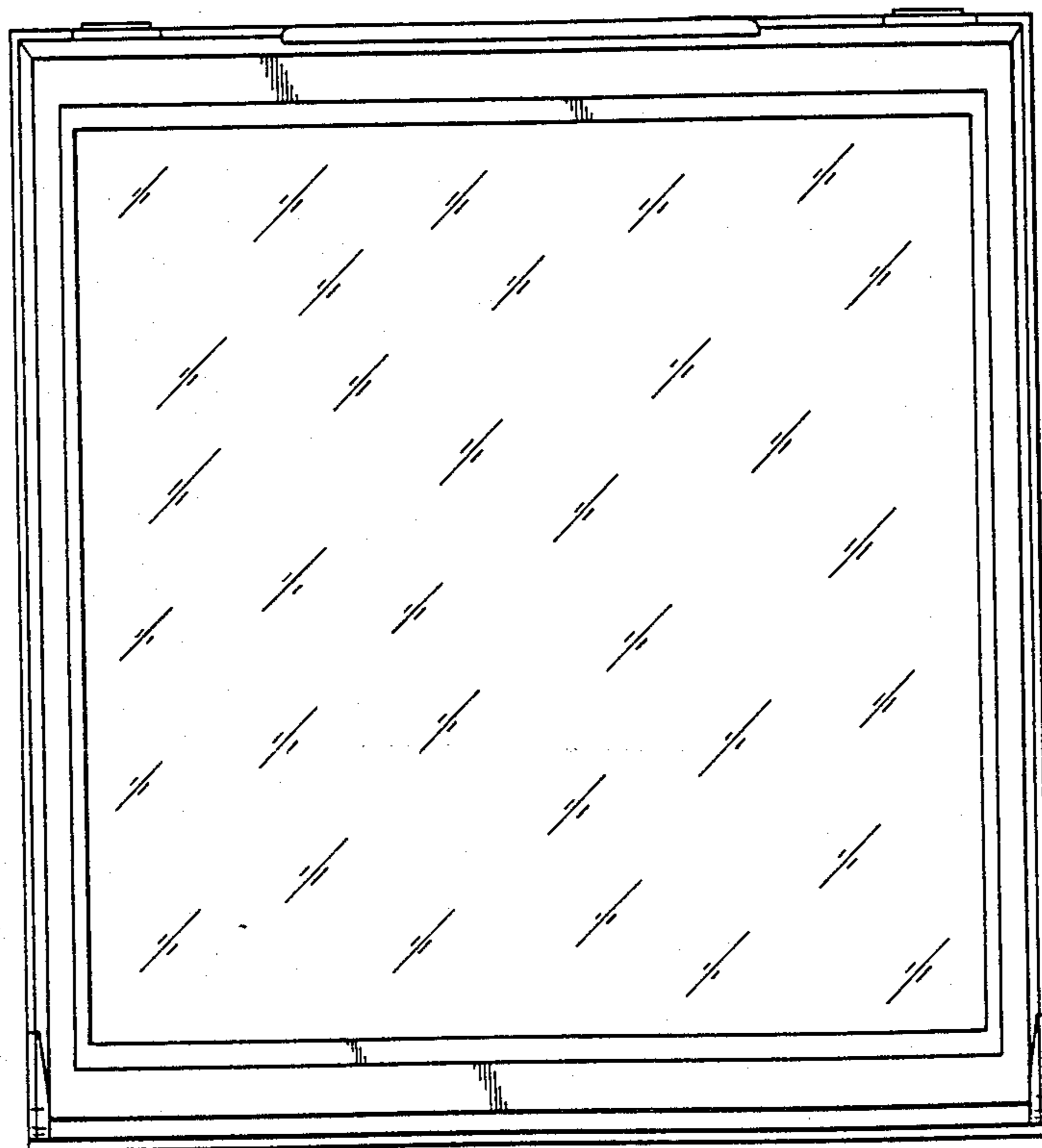


Fig. 6

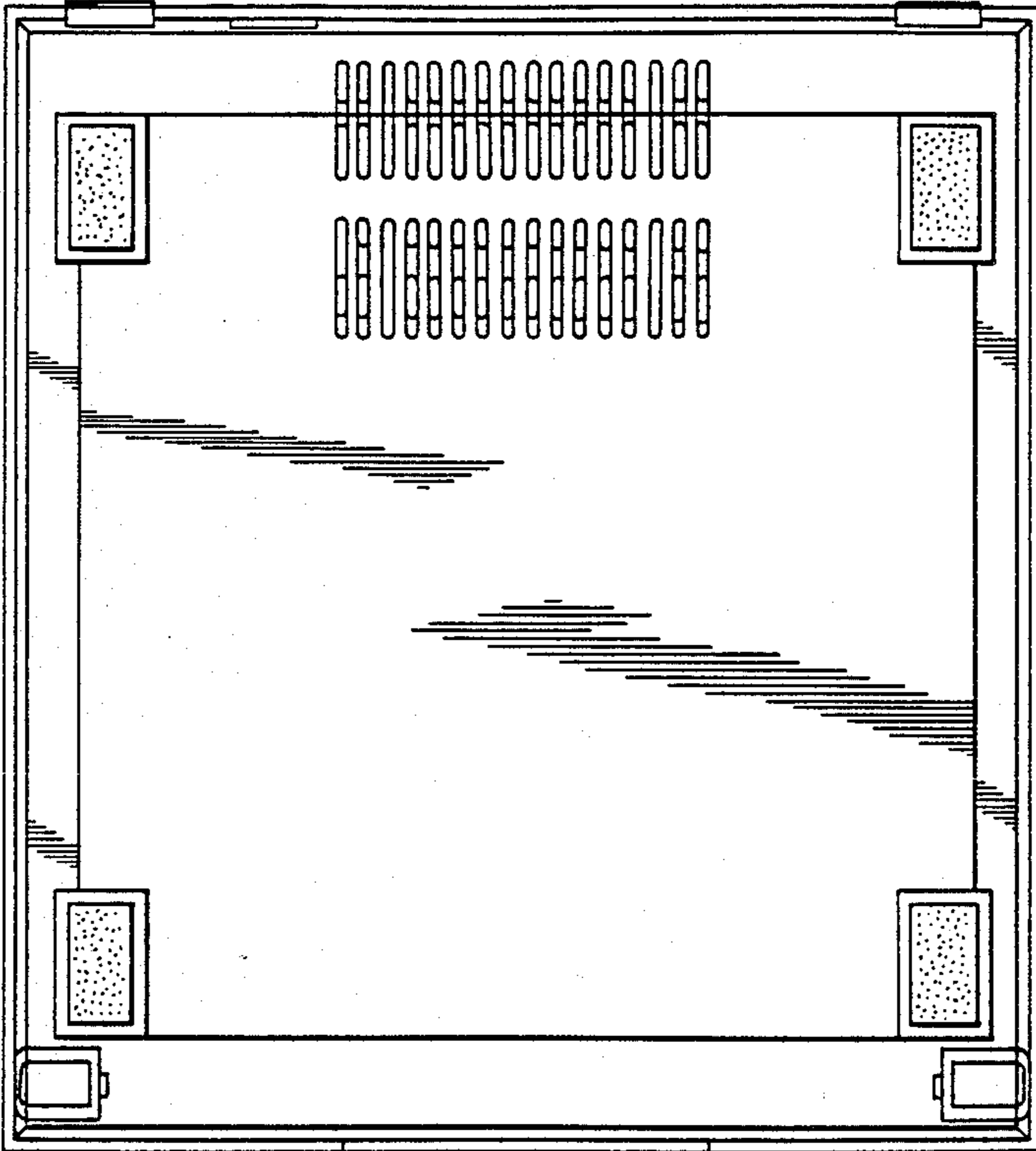
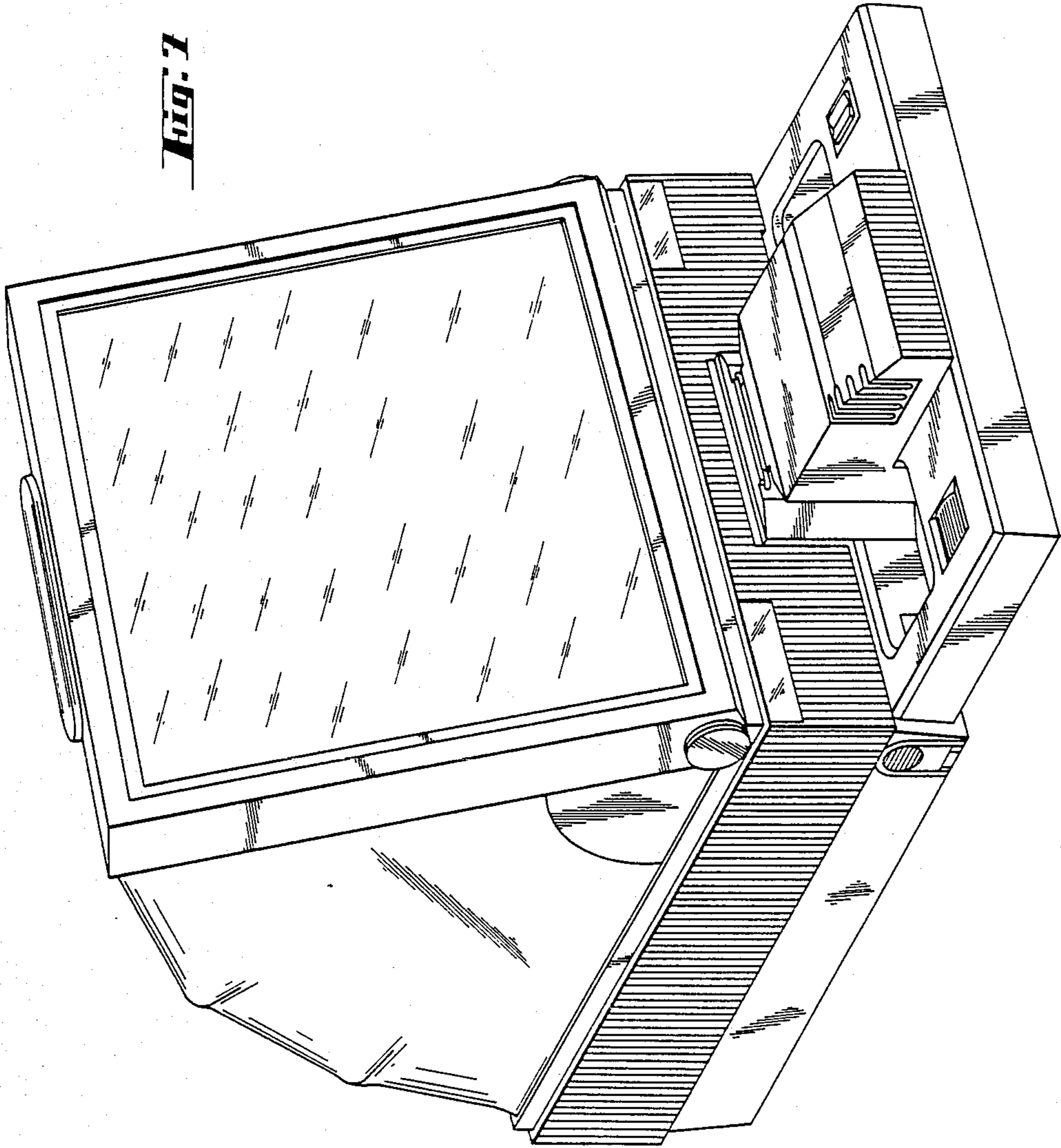
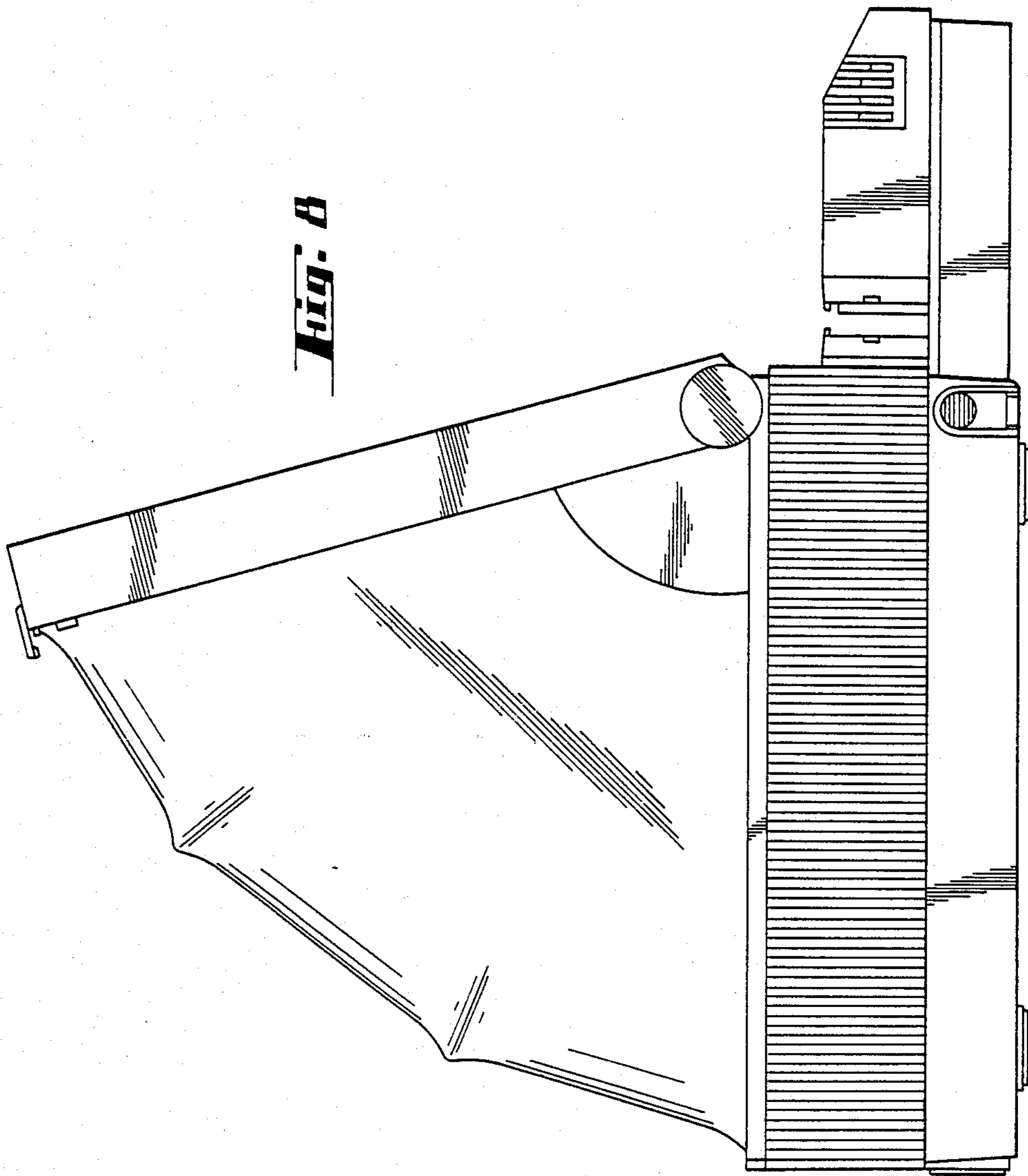


Fig. 7





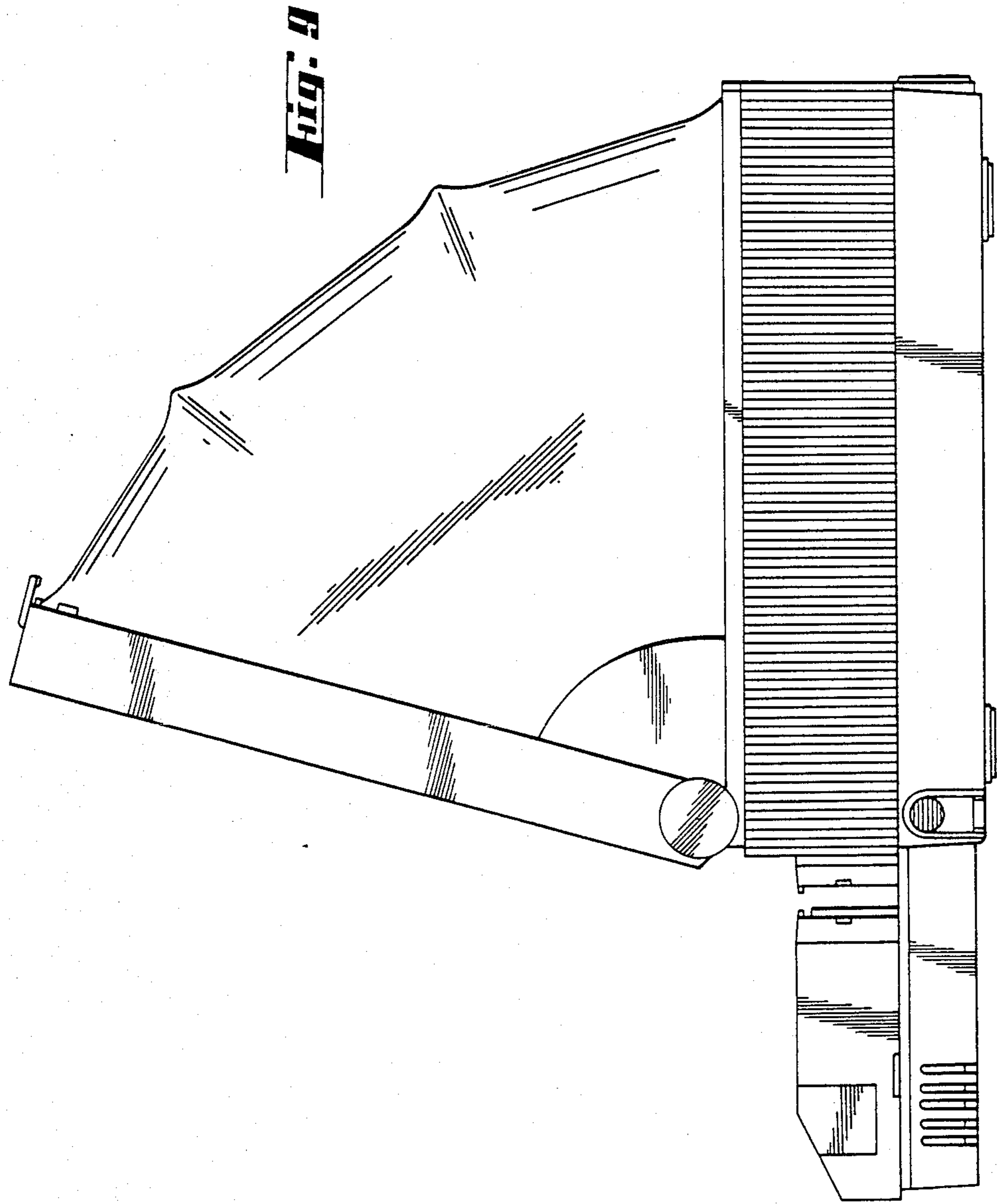


Fig. 10

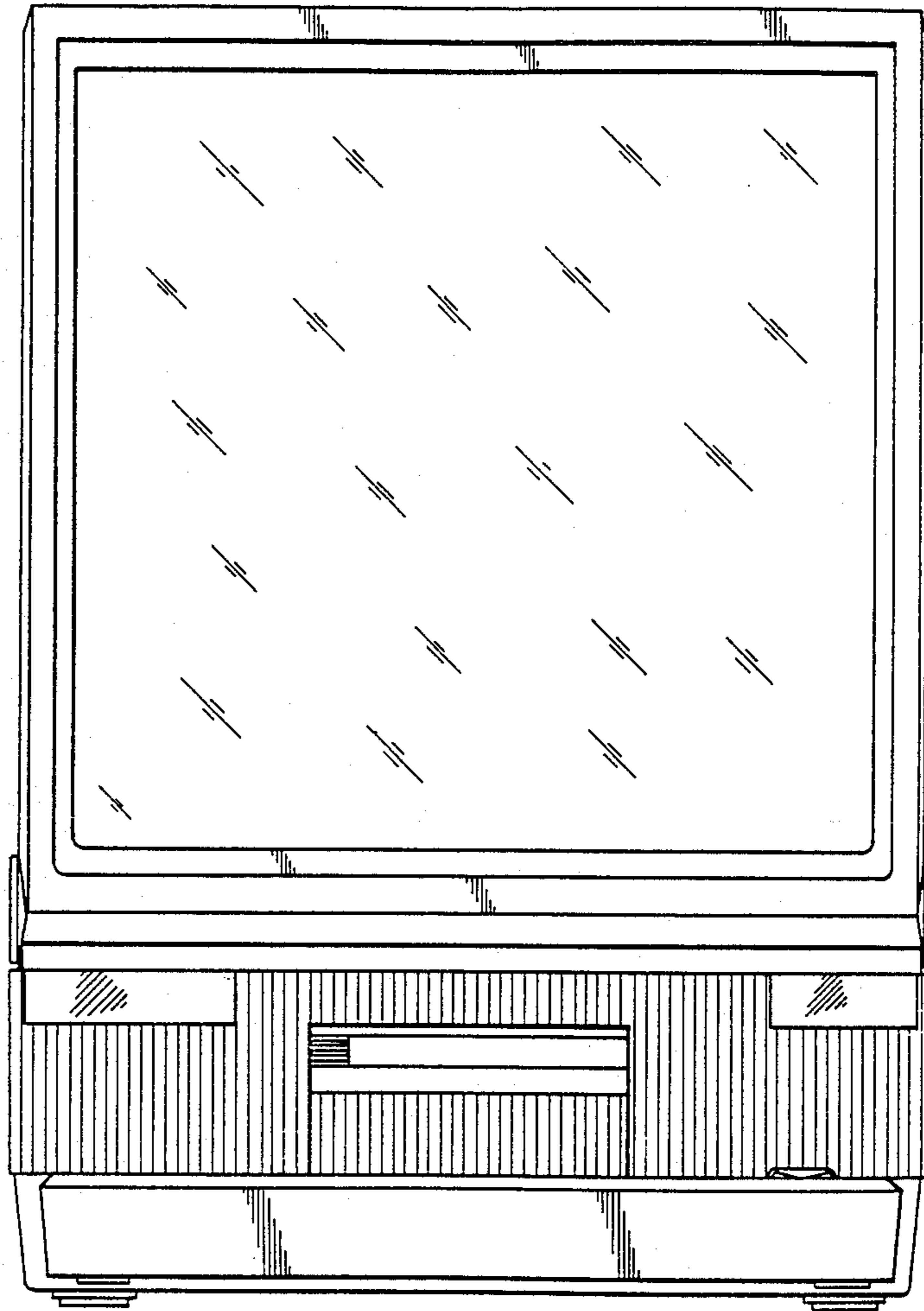


Fig. 11

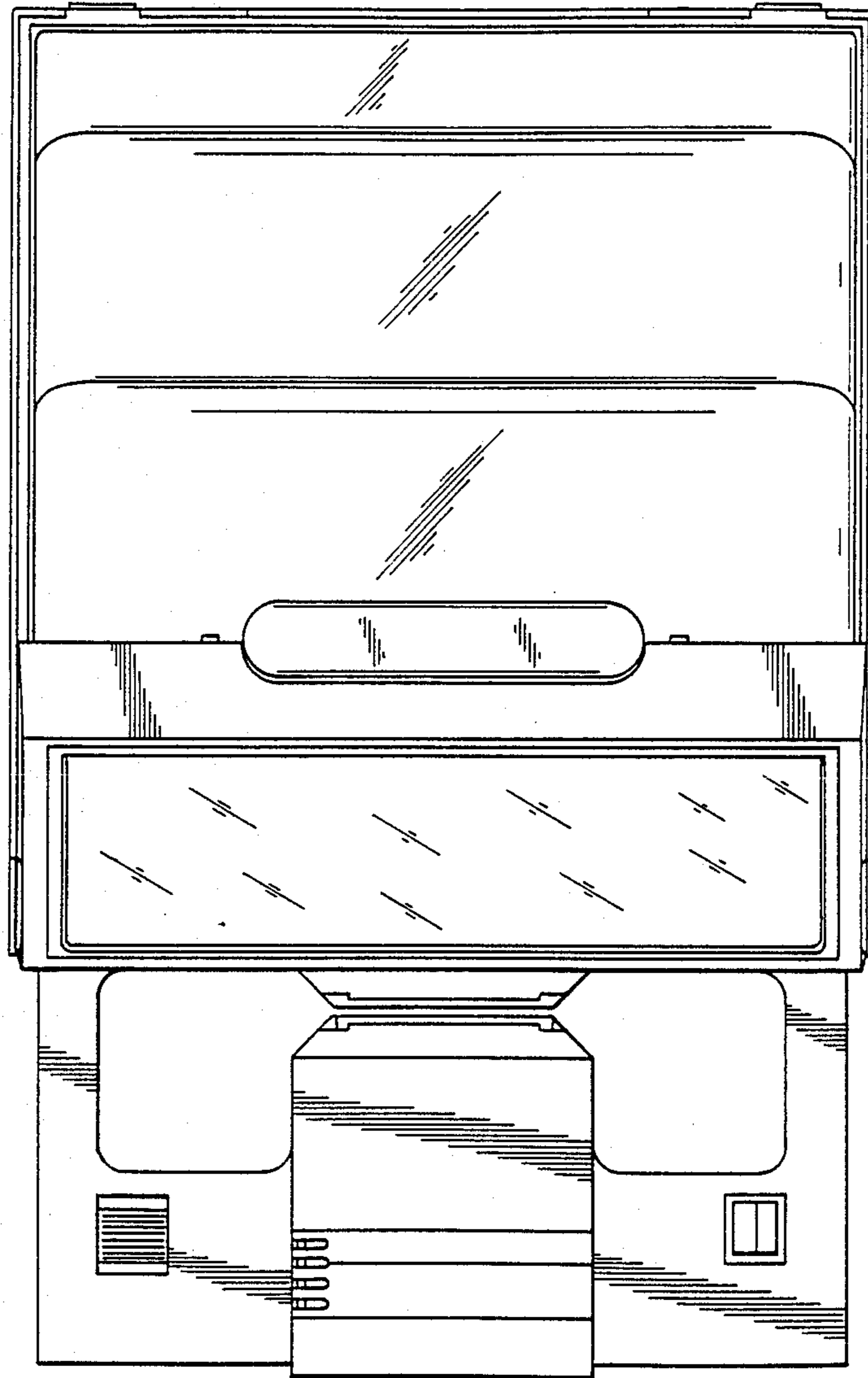


Fig. 12

