

[54] **FLUIDIC POWER ACTUATOR**

[75] **Inventor: Michikazu Miyamoto, Soka, Japan**

[73] **Assignee: SMC Corporation, Tokyo, Japan**

[\*\*] **Term: 14 Years**

[21] **Appl. No.: 886,680**

[22] **Filed: Jul. 18, 1986**

[30] **Foreign Application Priority Data**

Jan. 20, 1986 [JP] Japan ..... 61-1813  
 [52] **U.S. Cl.** ..... **D15/199; D34/28**  
 [58] **Field of Search** ..... **D13/1, 99; D15/5, 199;**  
                                   **92/84, 88, 52, 136, 137, 138; 91/DIG. 4;**  
   **D34/28**

[56] **References Cited**

**U.S. PATENT DOCUMENTS**

4,488,477 12/1984 Miyamoto ..... 92/85 R  
 4,744,287 5/1988 Miyamoto ..... 91/DIG. 4 X

*Primary Examiner*—Susan J. Lucas  
*Assistant Examiner*—Joel Sincavage  
*Attorney, Agent, or Firm*—Oblon, Spivak, McClelland,  
 Maier & Neustadt

[57] **CLAIM**

The ornamental design for a fluidic power actuator, as shown and described.

**DESCRIPTION**

FIG. 1 is a perspective view of a fluidic power actuator showing my new design;  
 FIG. 2 is a front elevational view hereof;  
 FIG. 3 is a rear elevational view hereof;  
 FIG. 4 is a top plan view hereof;  
 FIG. 5 is a bottom plan view hereof;  
 FIG. 6 is a left side elevational view hereof; and  
 FIG. 7 is a right side elevational view hereof.

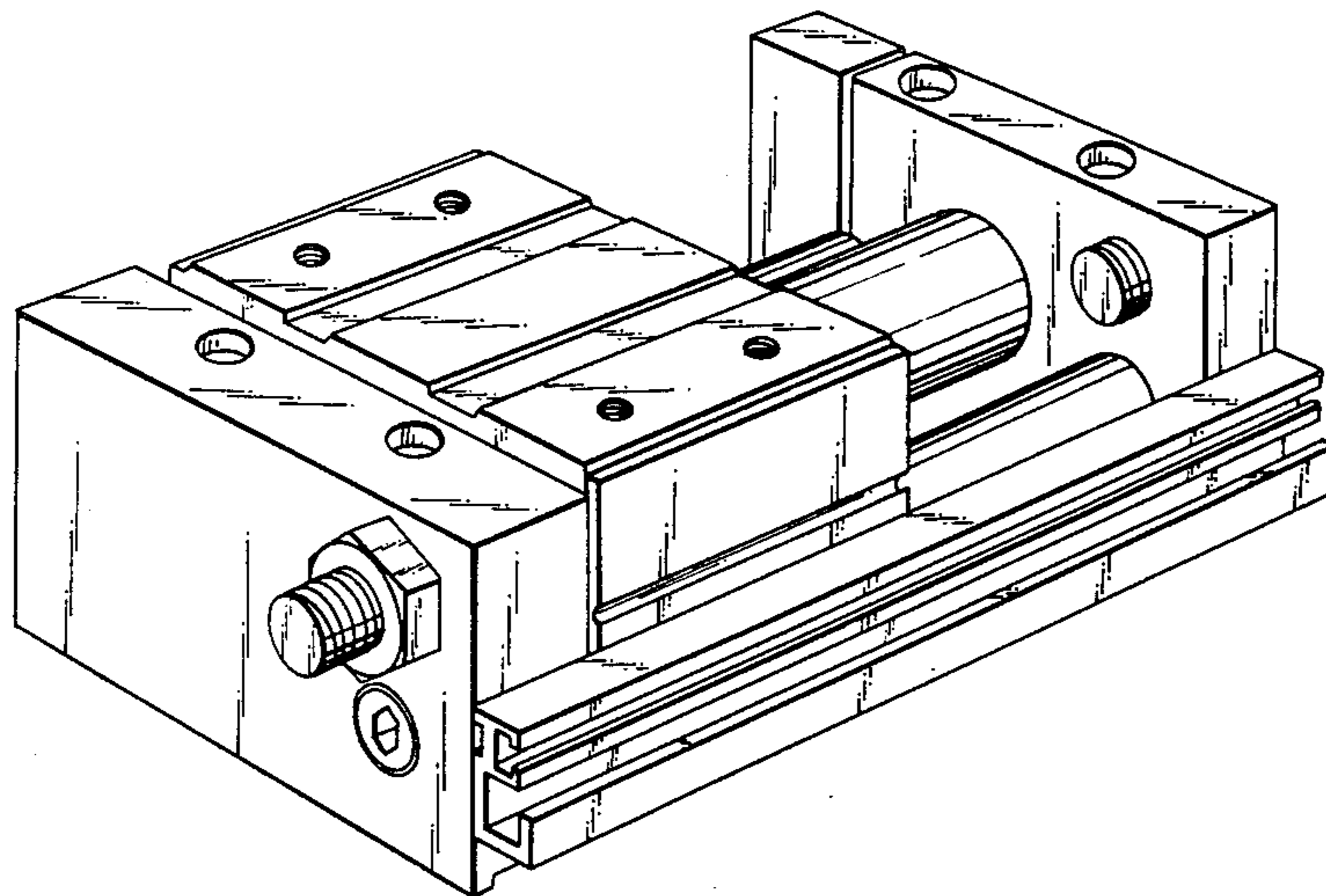


FIG. 1

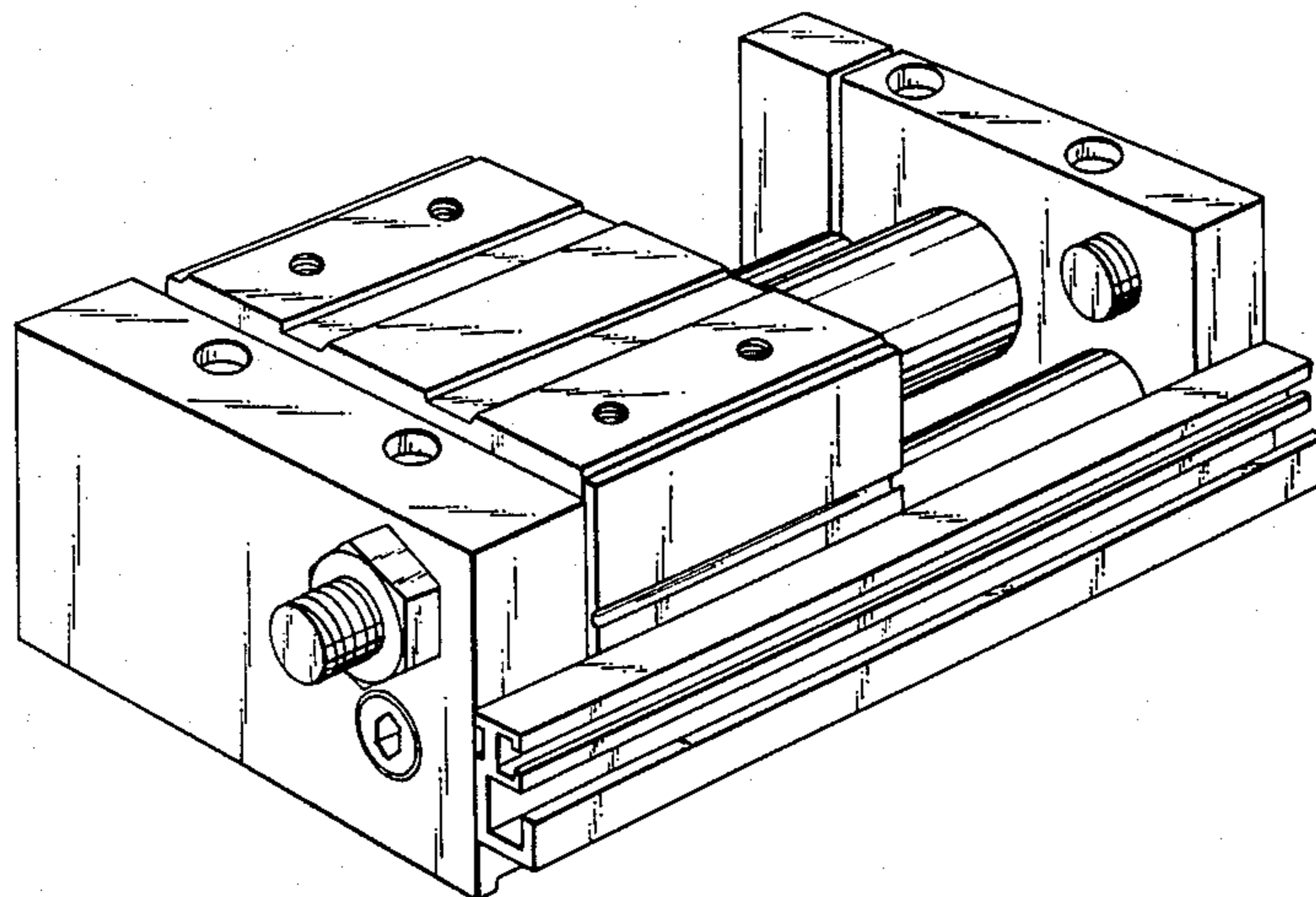


FIG. 2

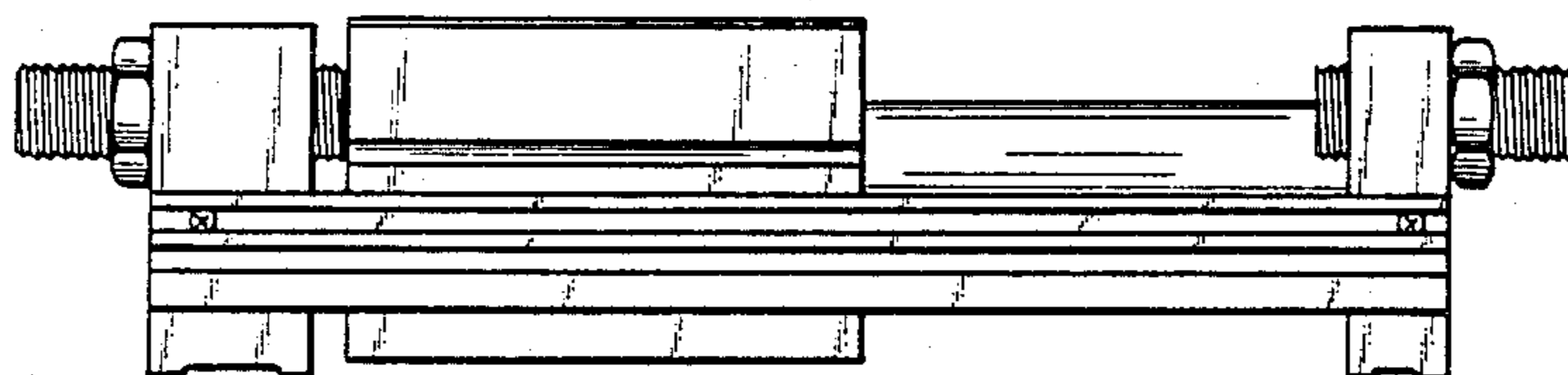


FIG. 3

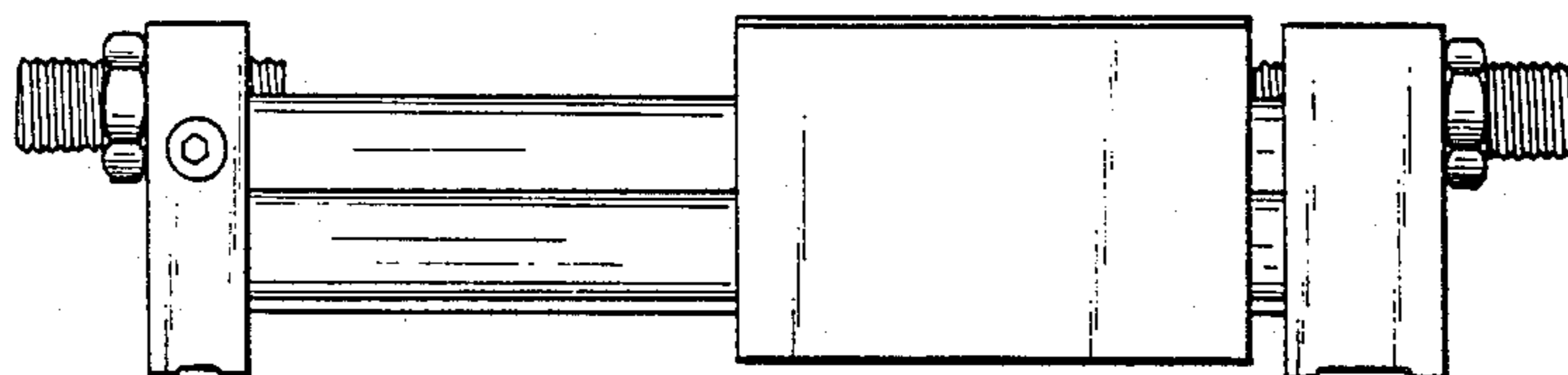


FIG. 4

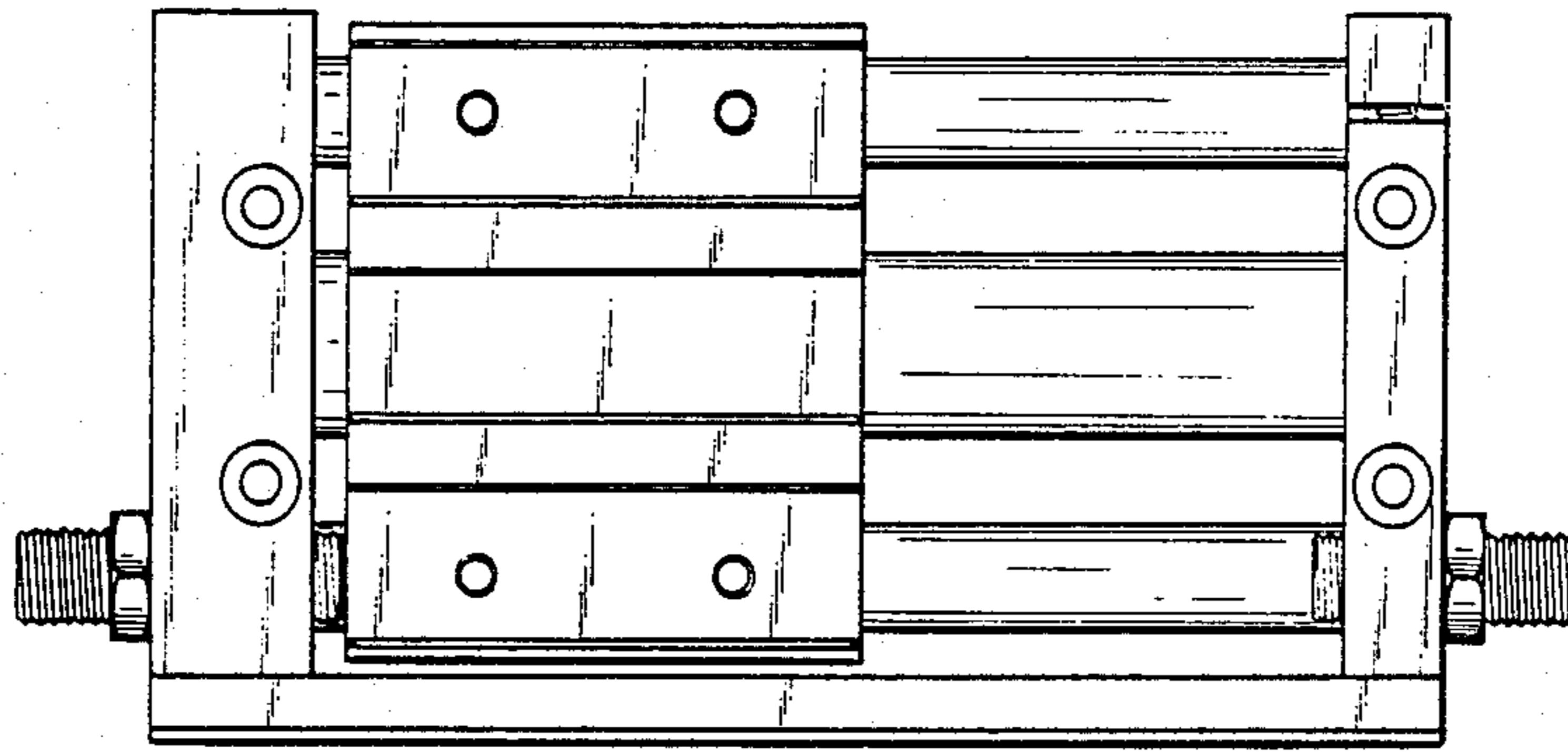


FIG. 5

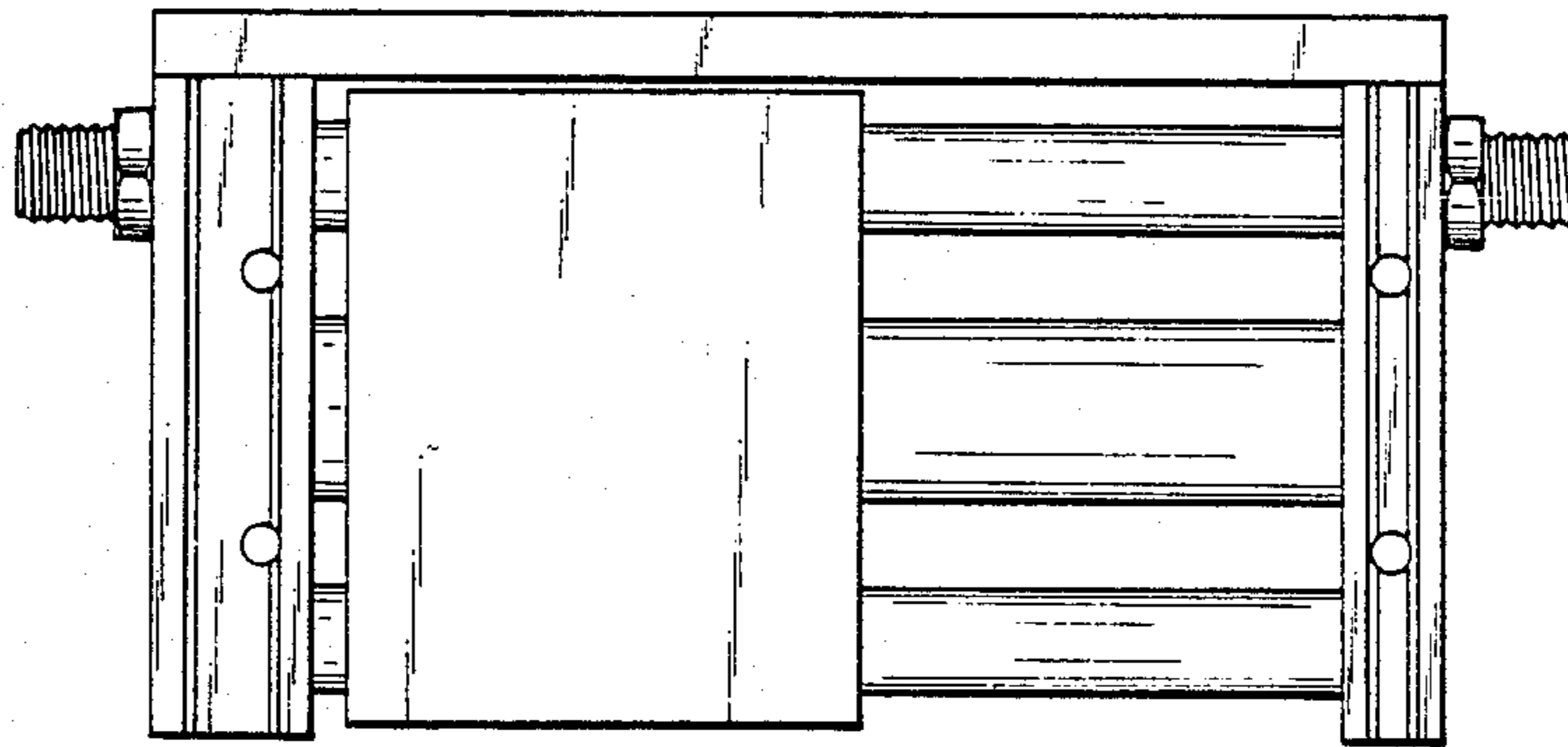


FIG. 6

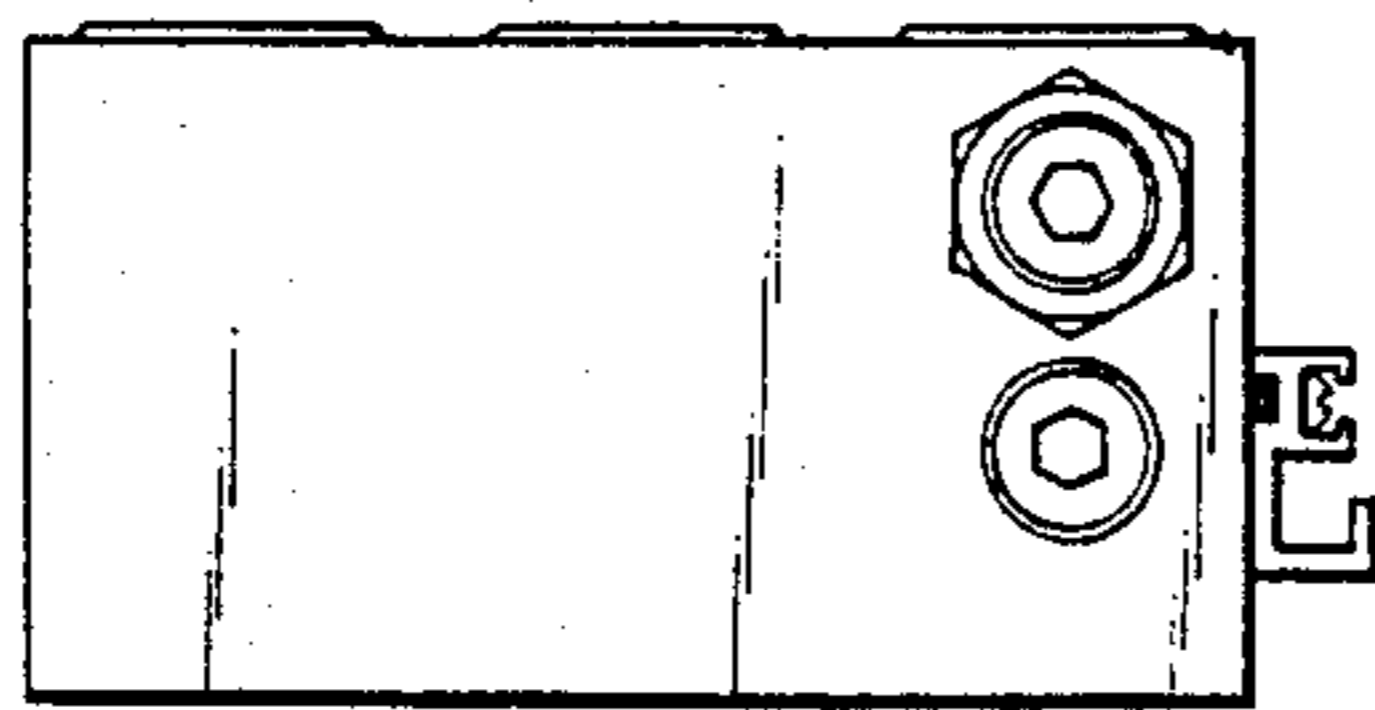


FIG. 7

