

[54] COMBINED RADIO SUPPORT AND SPEAKERS FOR BICYCLES AND THE LIKE

[75] Inventors: Sergio E. Villanueva; Xavier R. Villanueva, both of San Ysidro, Calif.

[73] Assignee: Novi, Inc., San Diego, Calif.

[**] Term: 14 Years

[21] Appl. No.: 924,588

[22] Filed: Oct. 28, 1986

[52] U.S. Cl. D14/224; D14/157; D12/114

[58] Field of Search D14/124, 125, 157, 159, D14/192, 194, 204, 217, 224, 257, 258, 260, 265, 299; D12/114; 224/30 A, 30 R, 41

[56] References Cited

U.S. PATENT DOCUMENTS

D. 238,939	2/1976	Weber	D12/114
D. 239,868	5/1976	Pinsler et al.	D14/157
D. 260,628	9/1981	McKeel	D12/114
D. 268,403	3/1983	Masterson	D12/114

D. 275,382	9/1984	Hoese	D12/114
D. 281,871	12/1985	Heiman	D14/224
D. 294,829	3/1988	Hogue	D14/194
4,445,228	4/1984	Bruni	224/30 A
4,756,454	7/1988	Villanueva et al.	224/30 A

Primary Examiner—B. J. Bullock
Assistant Examiner—Theodore M. Shooman
Attorney, Agent, or Firm—Baker, Maxham, Jester & Meador

[57] CLAIM

The ornamental design for a combined radio support and speakers for bicycles and the like, as shown.

DESCRIPTION

FIG. 1 is a top, front and left side perspective view of a combined radio support and speakers for bicycles and the like showing our new design; FIG. 2 is a top plan view thereof; FIG. 3 is a rear elevational view thereof; FIG. 4 is a bottom plan view thereof; FIG. 5 is a front elevational view thereof; FIG. 6 is a right side elevational view thereof; and FIG. 7 is a left side elevational view thereof.

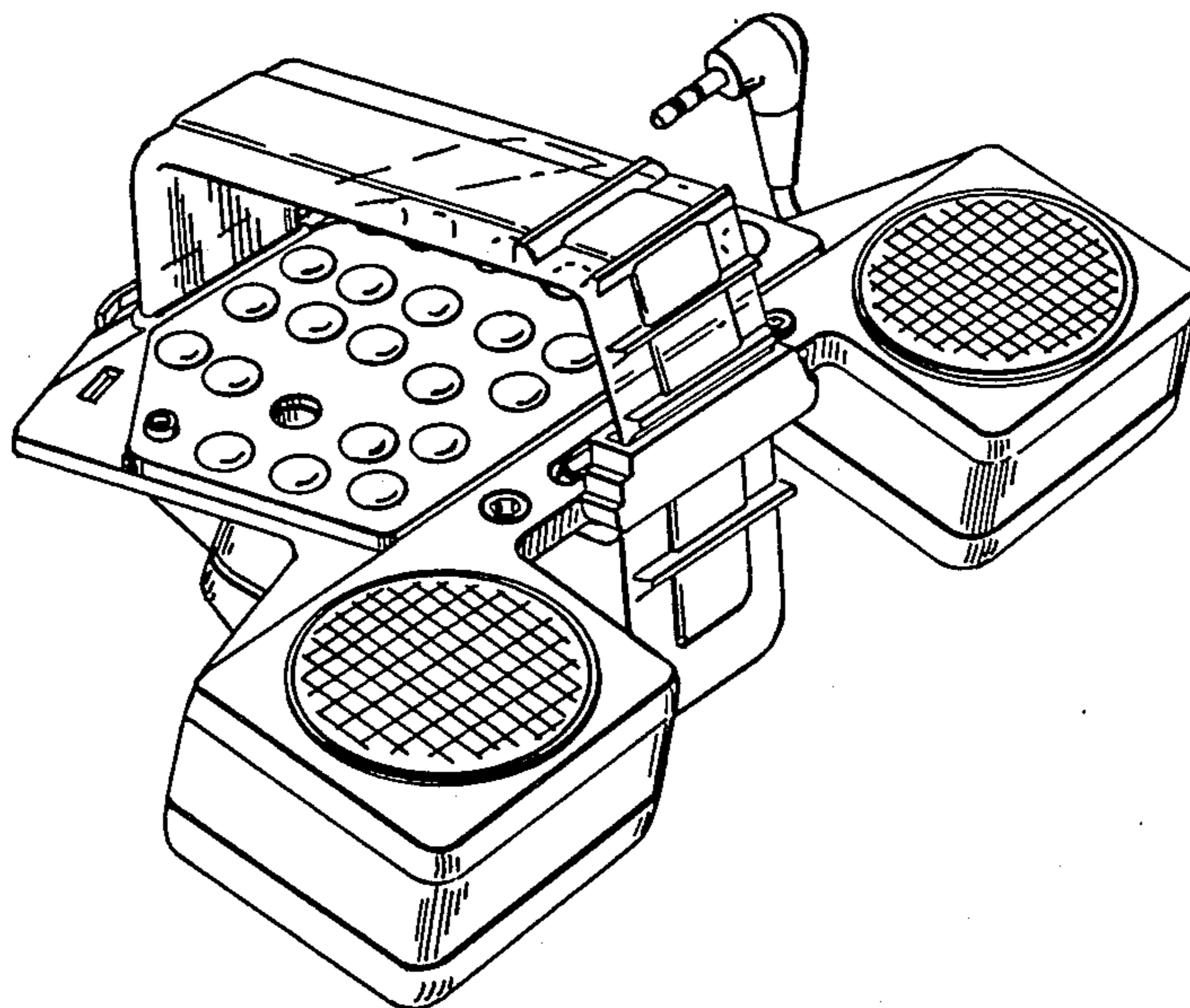


FIG. 1

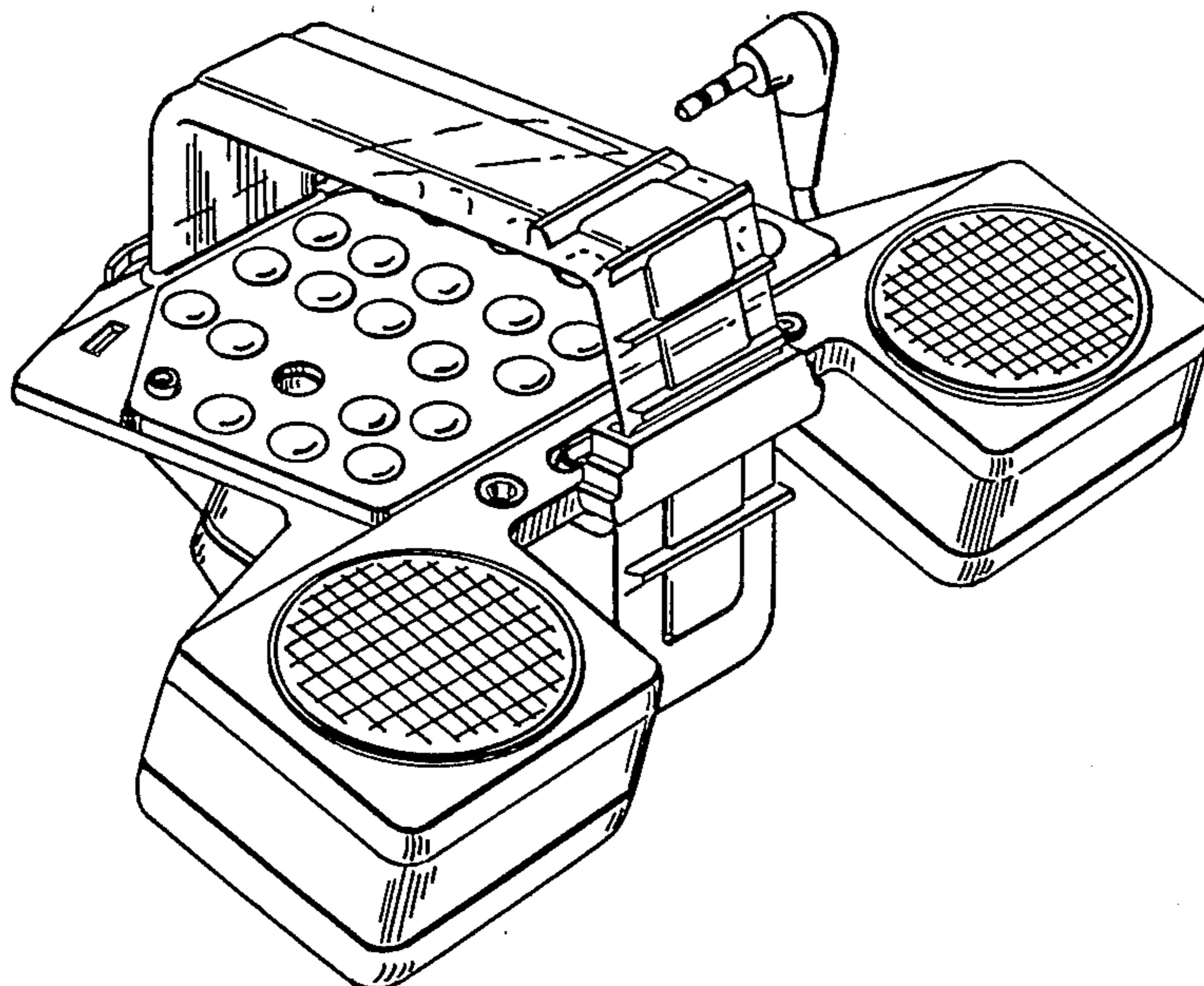


FIG. 2

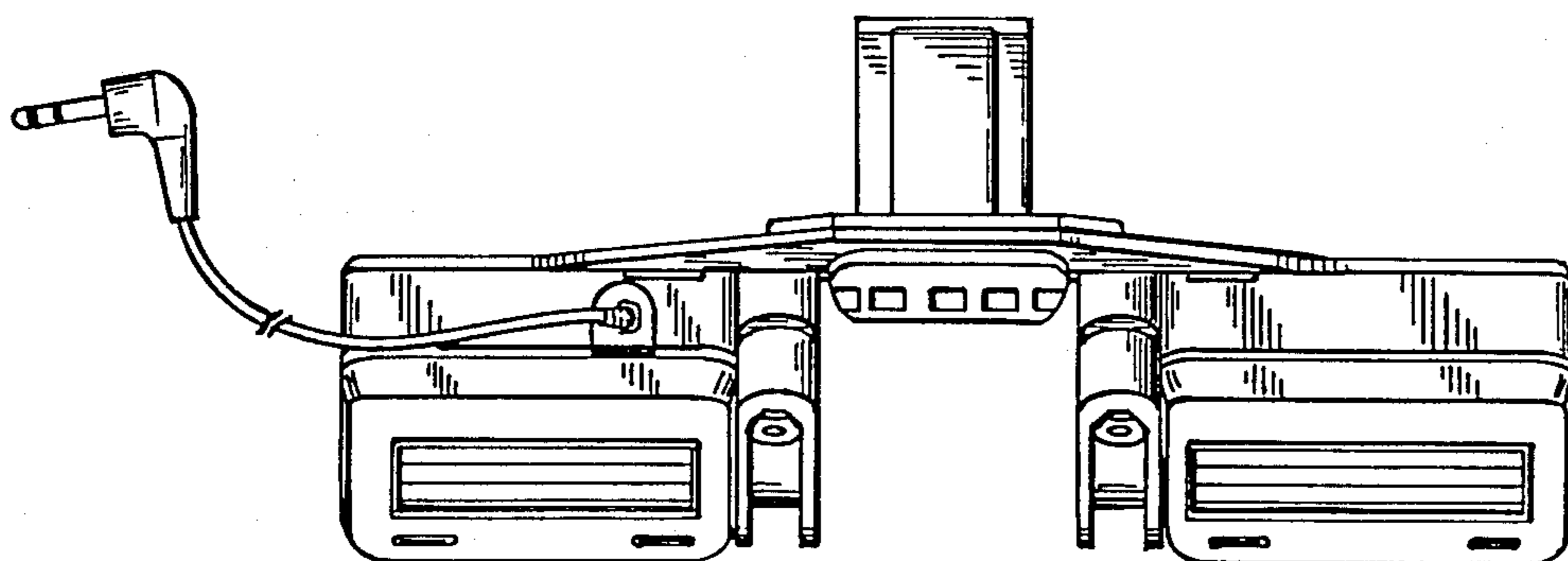
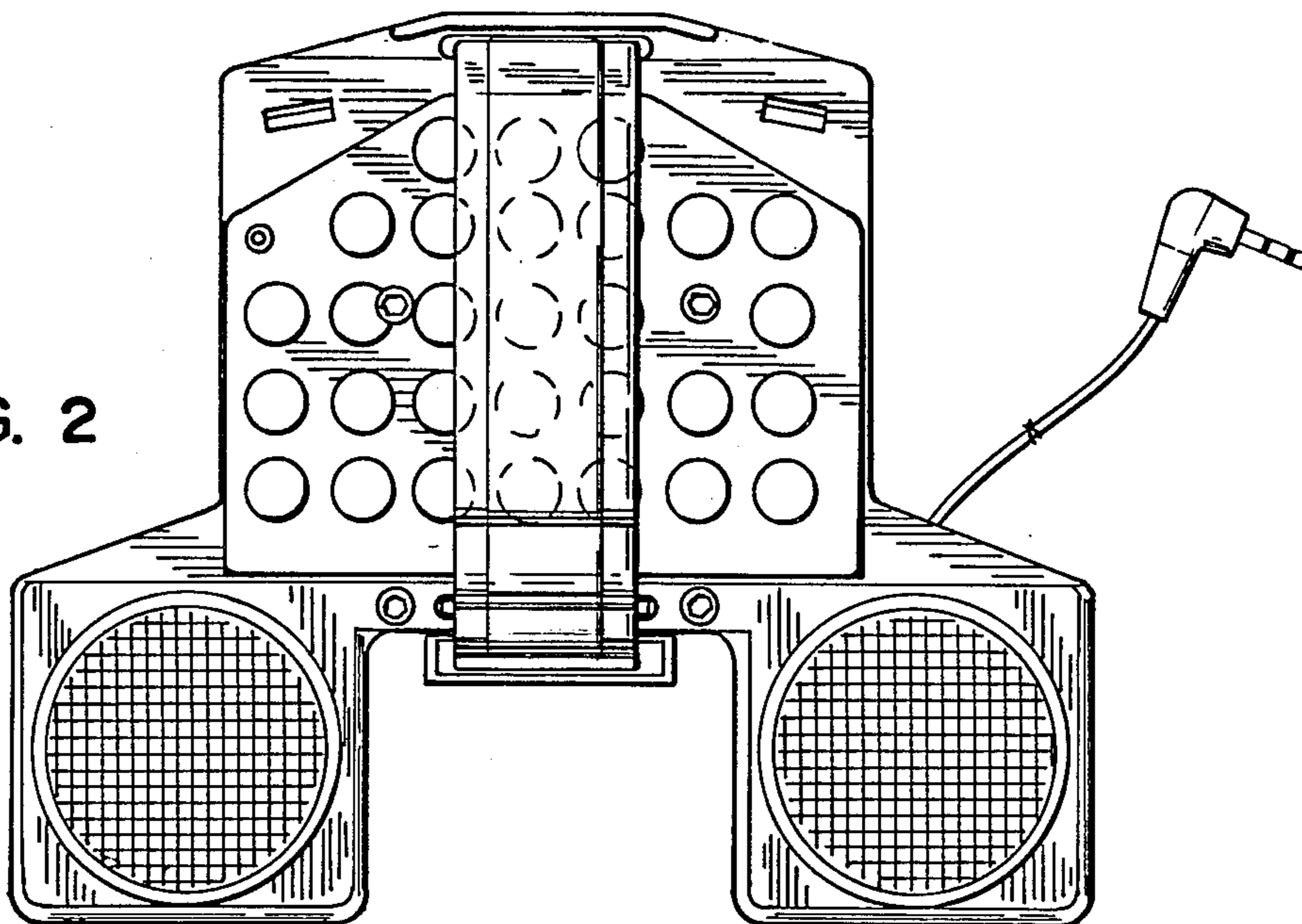


FIG. 3

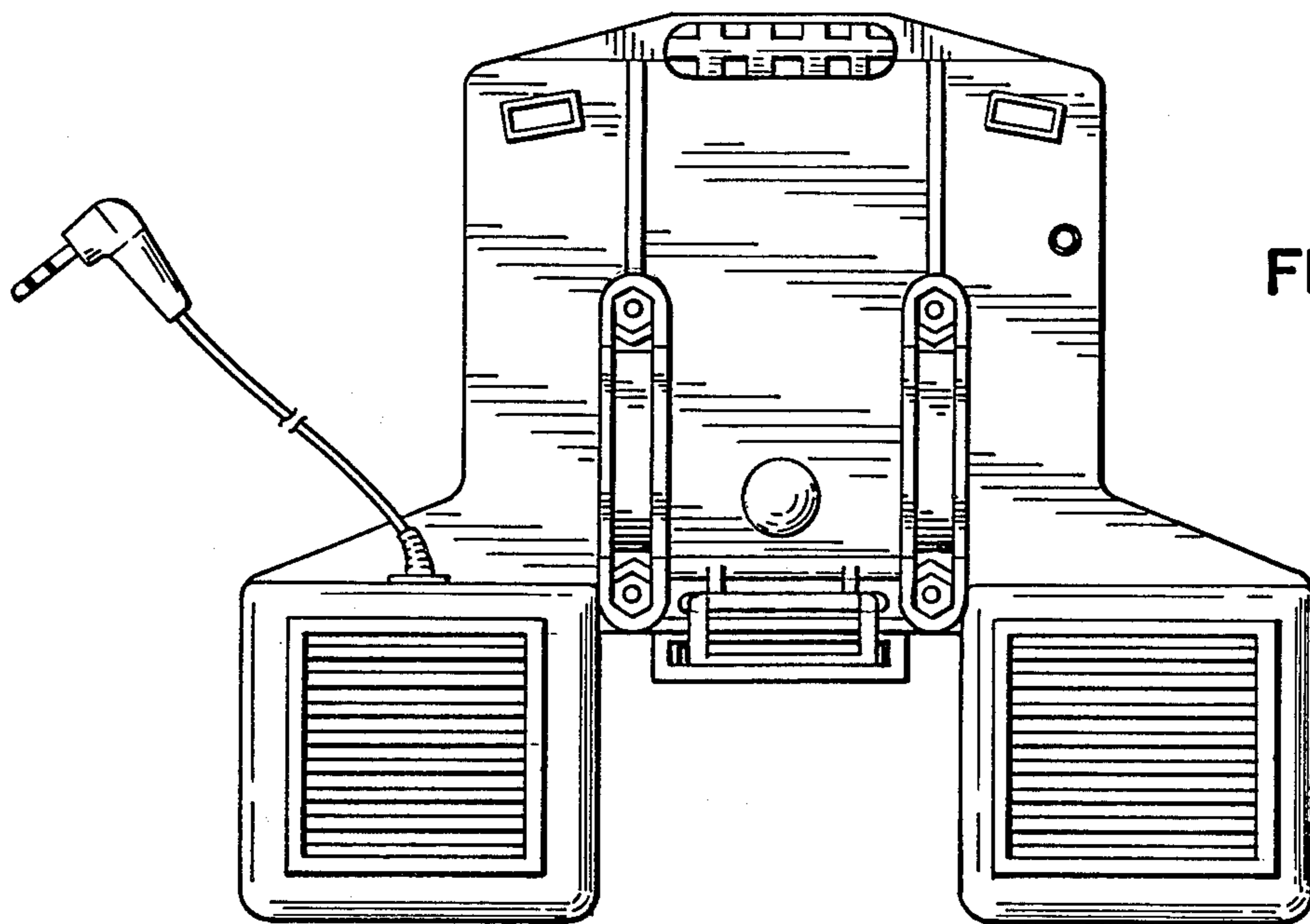


FIG. 4

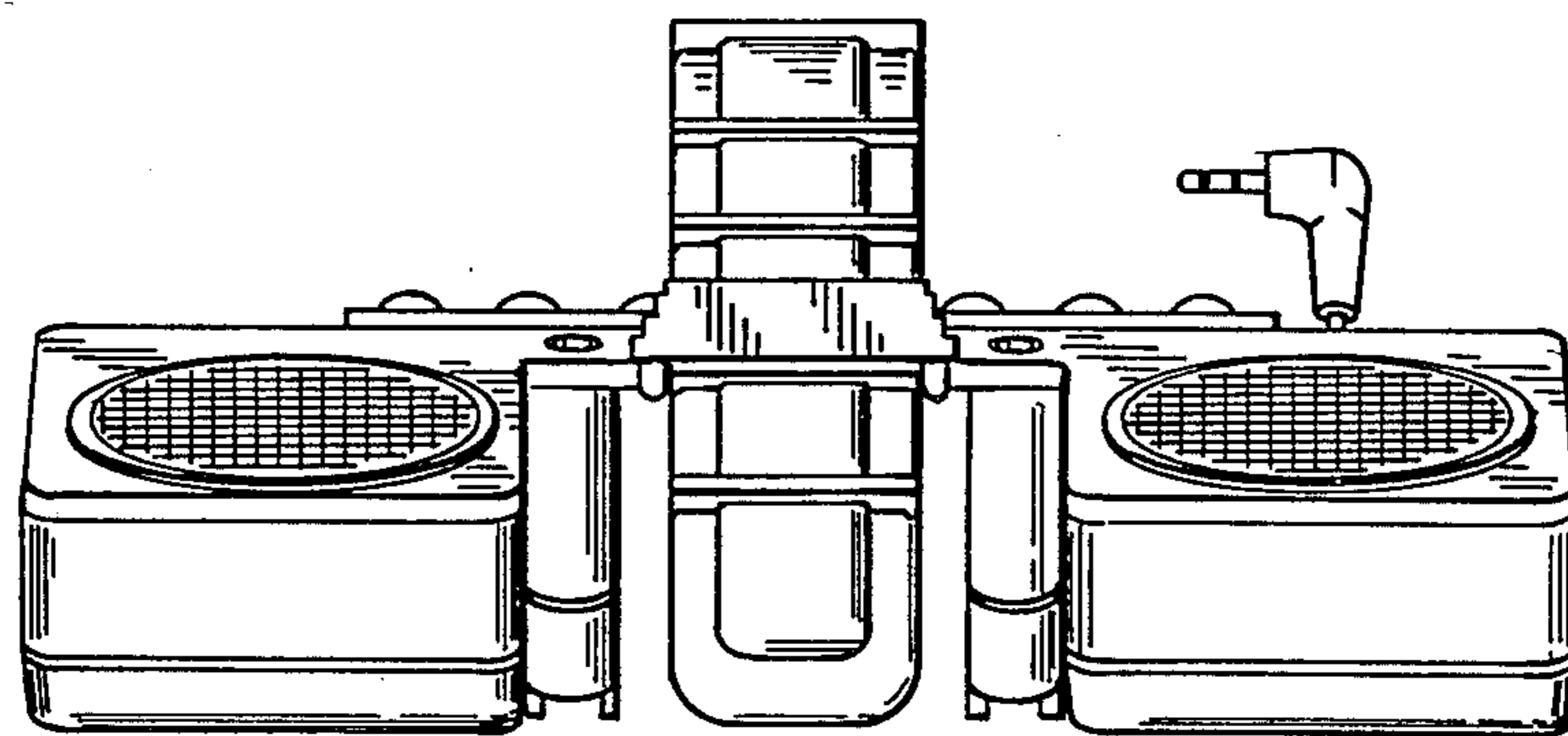


FIG. 5

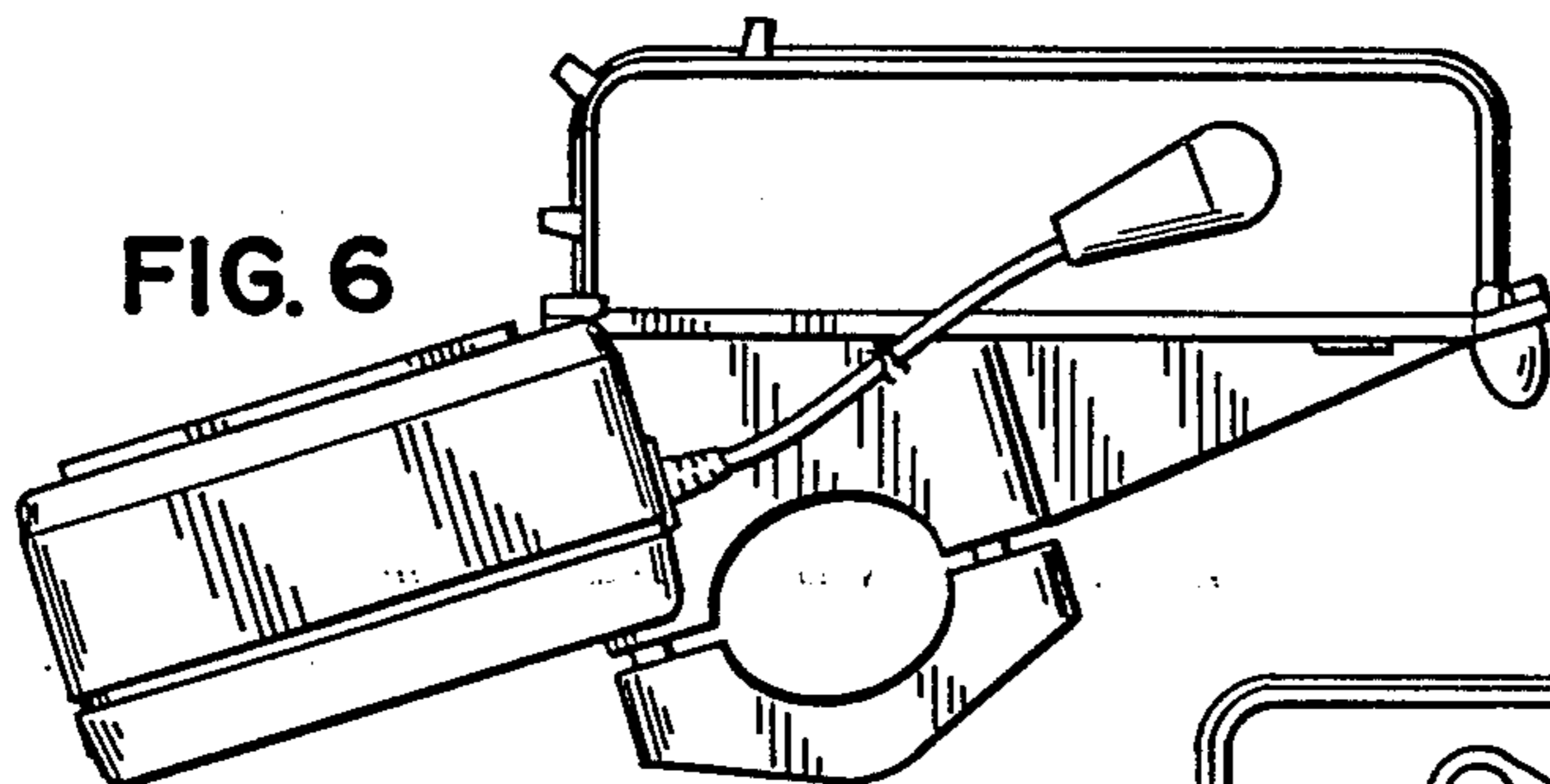


FIG. 6

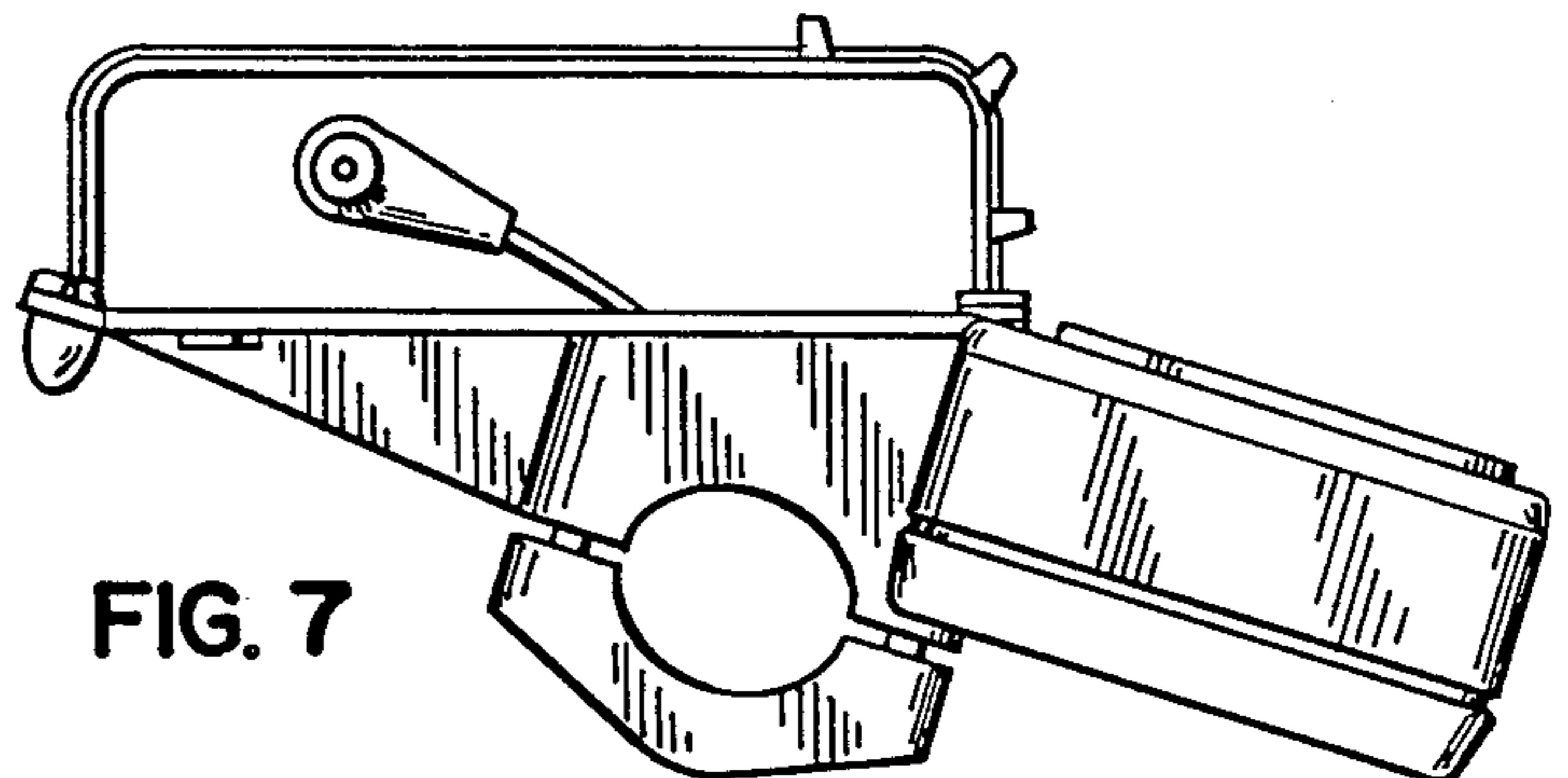


FIG. 7