

[54] **CASSETTE FOR A VIDEO TAPE RECORDER**

4,733,317 3/1988 Sato et al. 242/199 X

[75] **Inventors: Kenji Nishiyama, Nara; Hanji Takahashi, Hyogo; Yoshitomo Itakura, Osaka, all of Japan**

FOREIGN PATENT DOCUMENTS

493901 9/1979 Japan .
56-8120 1/1982 Japan .
61-4993 8/1984 Japan .

[73] **Assignee: Matsushita Electric Industrial Co., Ltd., Osaka, Japan**

Primary Examiner—Bernard Ansher
Assistant Examiner—Theodore M. Shooman
Attorney, Agent, or Firm—Sughrue, Mion, Zinn, Macpeak & Seas

[**] **Term: 14 Years**

[21] **Appl. No.: 919,927**

[57] **CLAIM**

[22] **Filed: Oct. 16, 1986**

The ornamental design for a cassette for a video tape recorder, as shown and described.

[30] **Foreign Application Priority Data**

DESCRIPTION

Jun. 23, 1986 [JP] Japan 61-24223

[52] **U.S. Cl. D14/121**

[58] **Field of Search D14/115, 120, 121, 122; 242/71.8, 197, 198, 199**

FIG. 1 is a bottom, rear and left side perspective view of a cassette for a video tape recorder showing our new design;

FIG. 2 is a top plan view thereof;

FIG. 3 is a bottom plan view thereof;

FIG. 4 is a front elevational view thereof;

FIG. 5 is a rear elevational view thereof;

FIG. 6 is a left side elevational view thereof;

FIG. 7 is a right side elevational view thereof; and

FIG. 8 is a top, front and right side perspective view thereof, shown with the front cover in an open position.

[56] **References Cited**

U.S. PATENT DOCUMENTS

D. 268,671 4/1983 Ohya et al. D14/121
D. 271,392 11/1983 Sumisha et al. D14/121
4,419,708 12/1983 Ogiro et al. 242/197 X
4,642,721 2/1987 Georgens et al. 242/198 X
4,678,138 7/1987 Nemoto 242/198

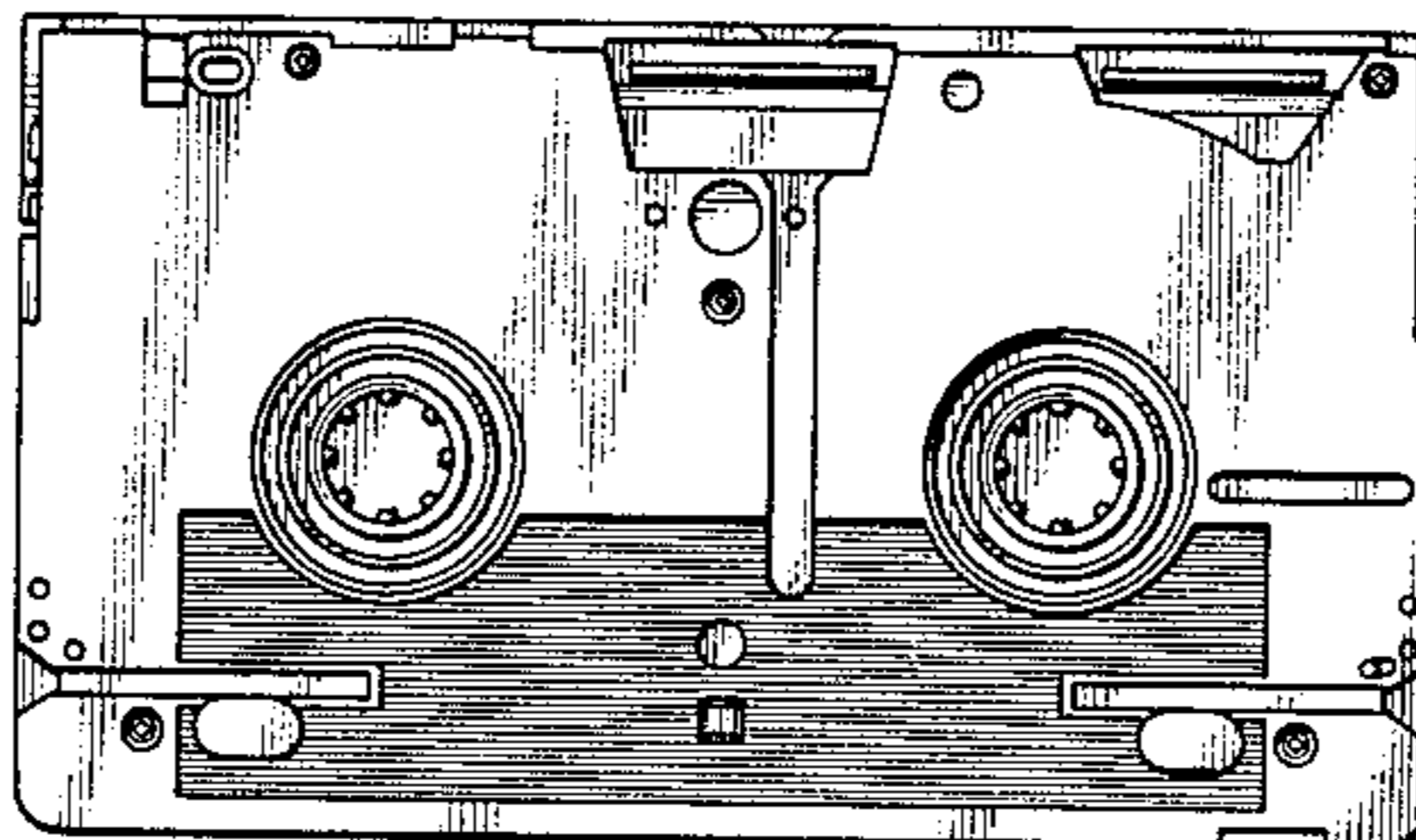
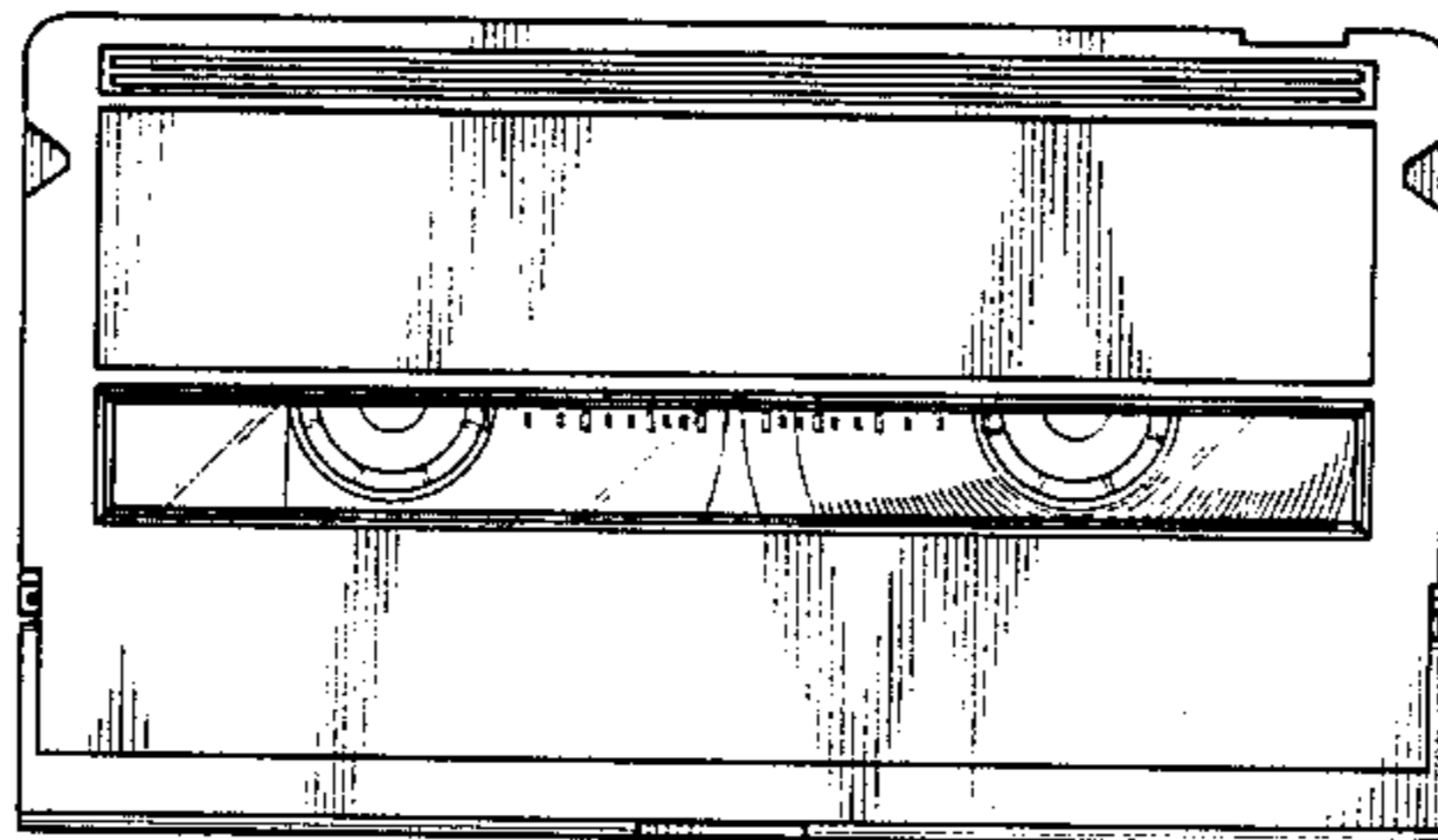


Fig. 1

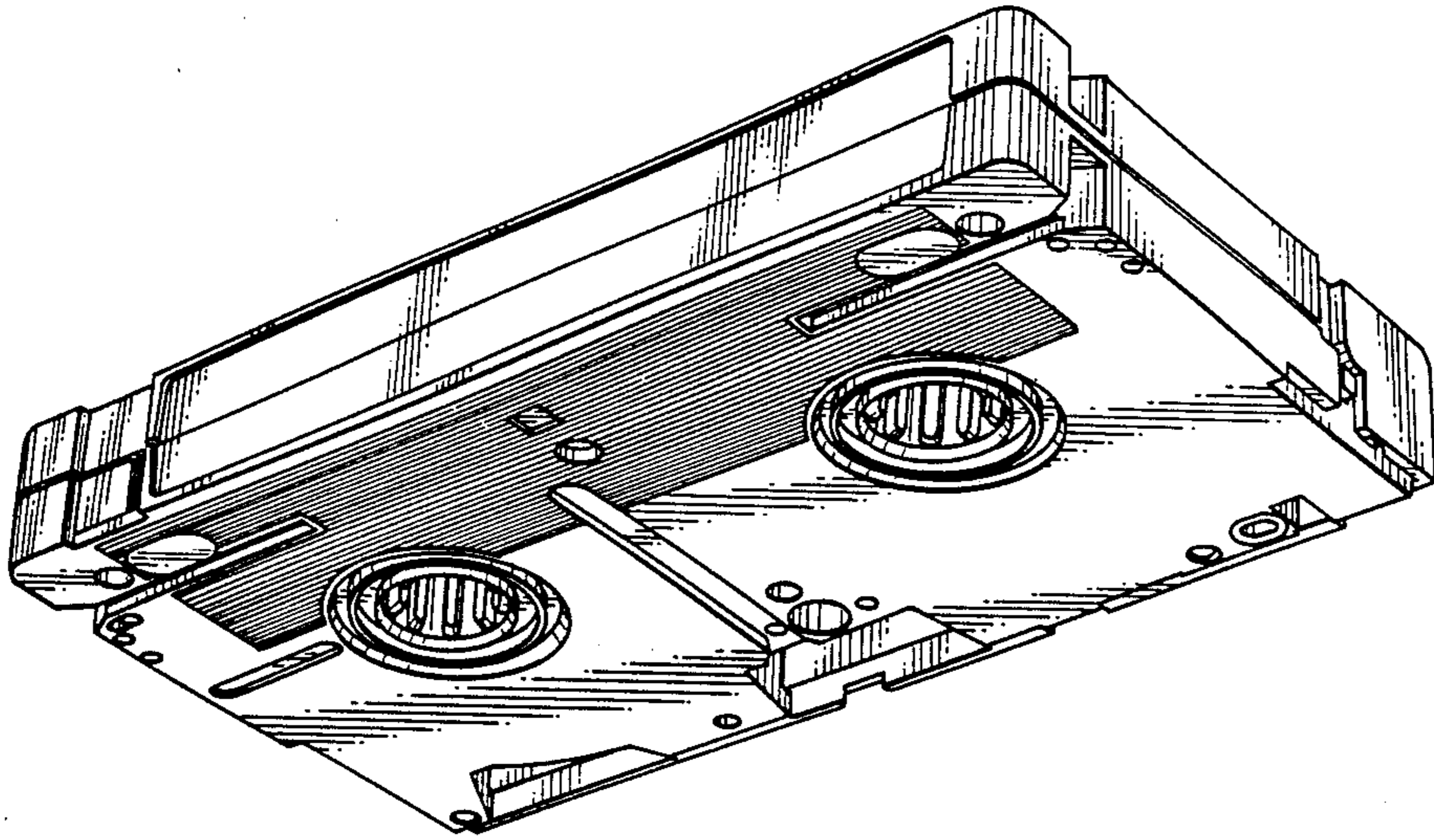


Fig. 2

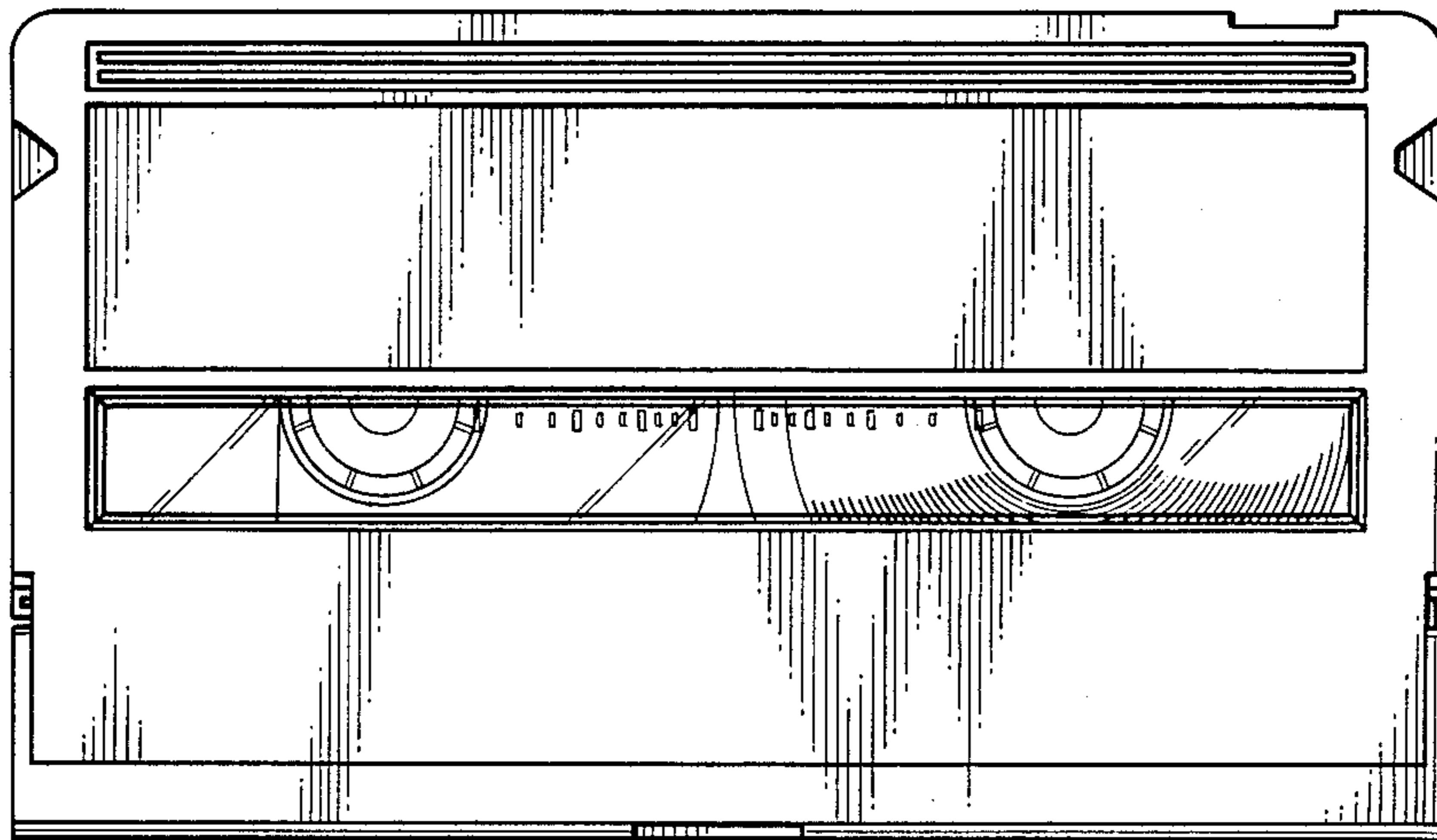


Fig. 3

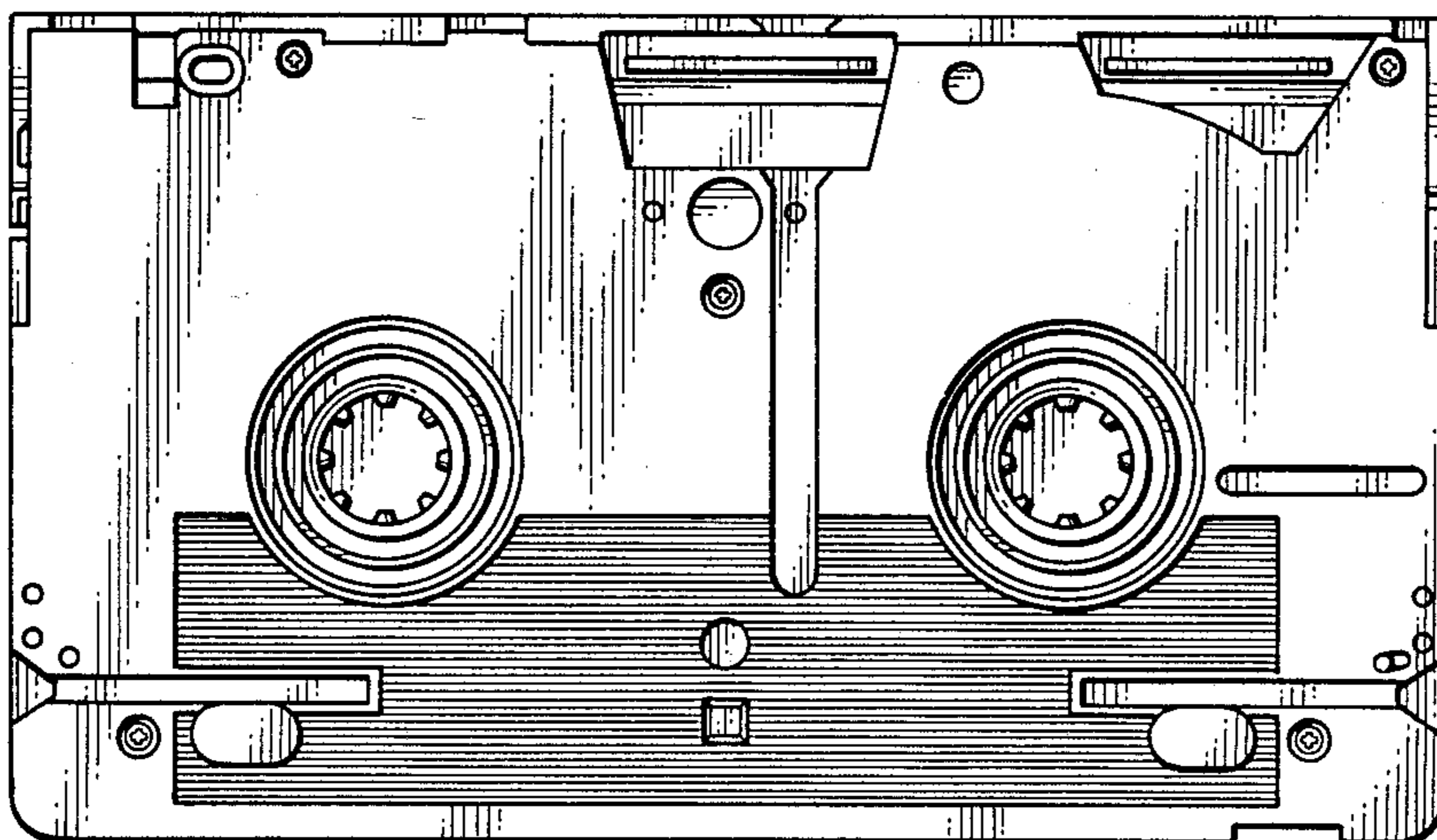


Fig. 4



Fig. 5

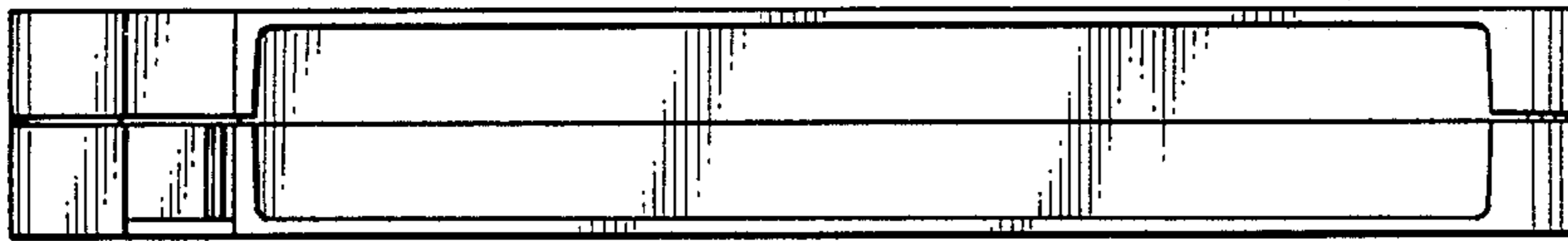


Fig. 6

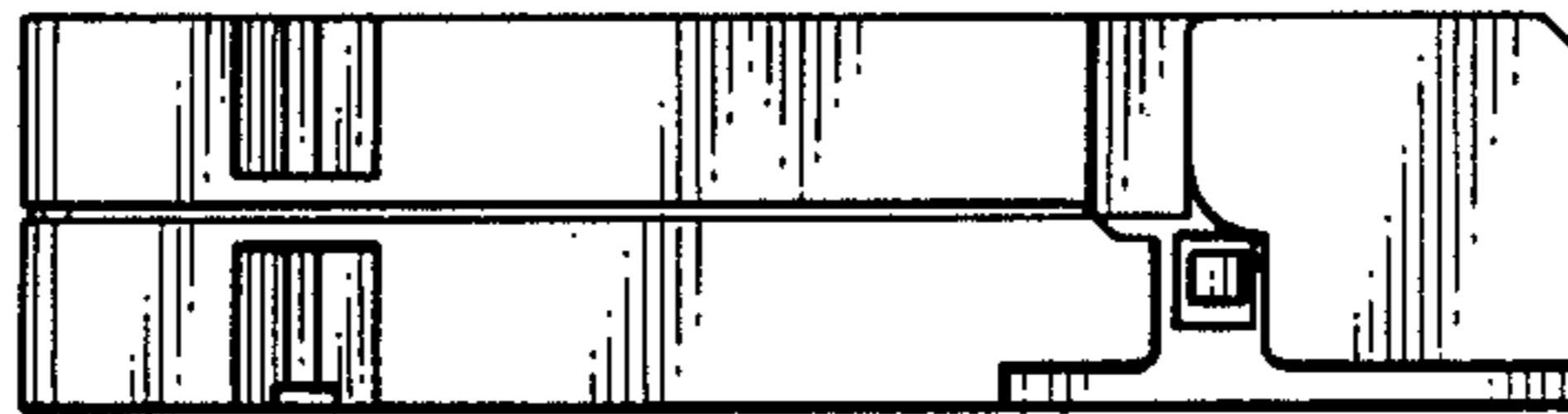


Fig. 7

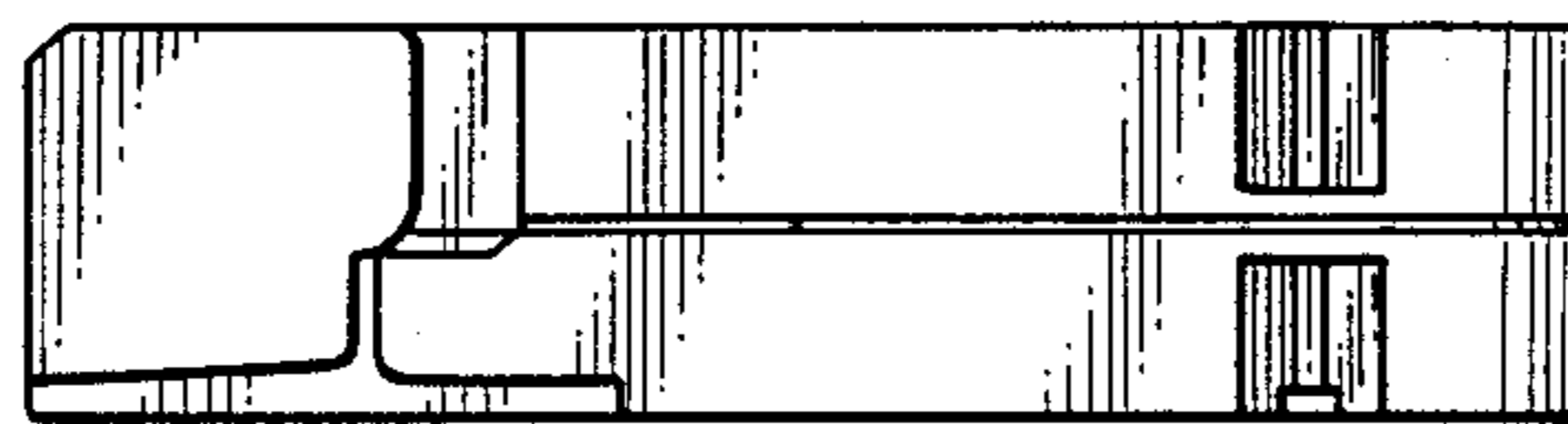


Fig. 8

