

[54] FLUORESCENT LAMP ADAPTER BASE

[75] Inventor: Usman U. Vakil, Diamond Bar, Calif.

[73] Assignee: Lights Of America, Inc., Walnut, Calif.

[\*\*] Term: 14 Years

[21] Appl. No.: 104,414

[22] Filed: Oct. 5, 1987

[52] U.S. Cl. .... D13/25; D26/3

[58] Field of Search ..... D26/1, 2, 3; D13/25; 313/315, 317, 318, 493, 491; 315/56, 57, 58, 73; 362/226, 216; 439/226, 235, 232, 239, 242

[56] References Cited

U.S. PATENT DOCUMENTS

- D. 271,424 11/1983 Young et al. .... D26/3 X
- D. 271,906 12/1983 Zabransky ..... D26/2
- D. 289,798 5/1987 Joosten ..... D26/3

- D. 291,358 8/1987 Witte ..... D26/3
- 4,211,959 7/1980 Deavenport et al. .... D13/25 X
- 4,683,402 7/1987 Aubrey ..... 315/58 X
- 4,761,585 8/1988 Linnman et al. .... D26/2 X

Primary Examiner—Susan J. Lucas  
Attorney, Agent, or Firm—Roger C. Turner

[57] CLAIM

The ornamental design for a fluorescent lamp adapter base, as shown and described.

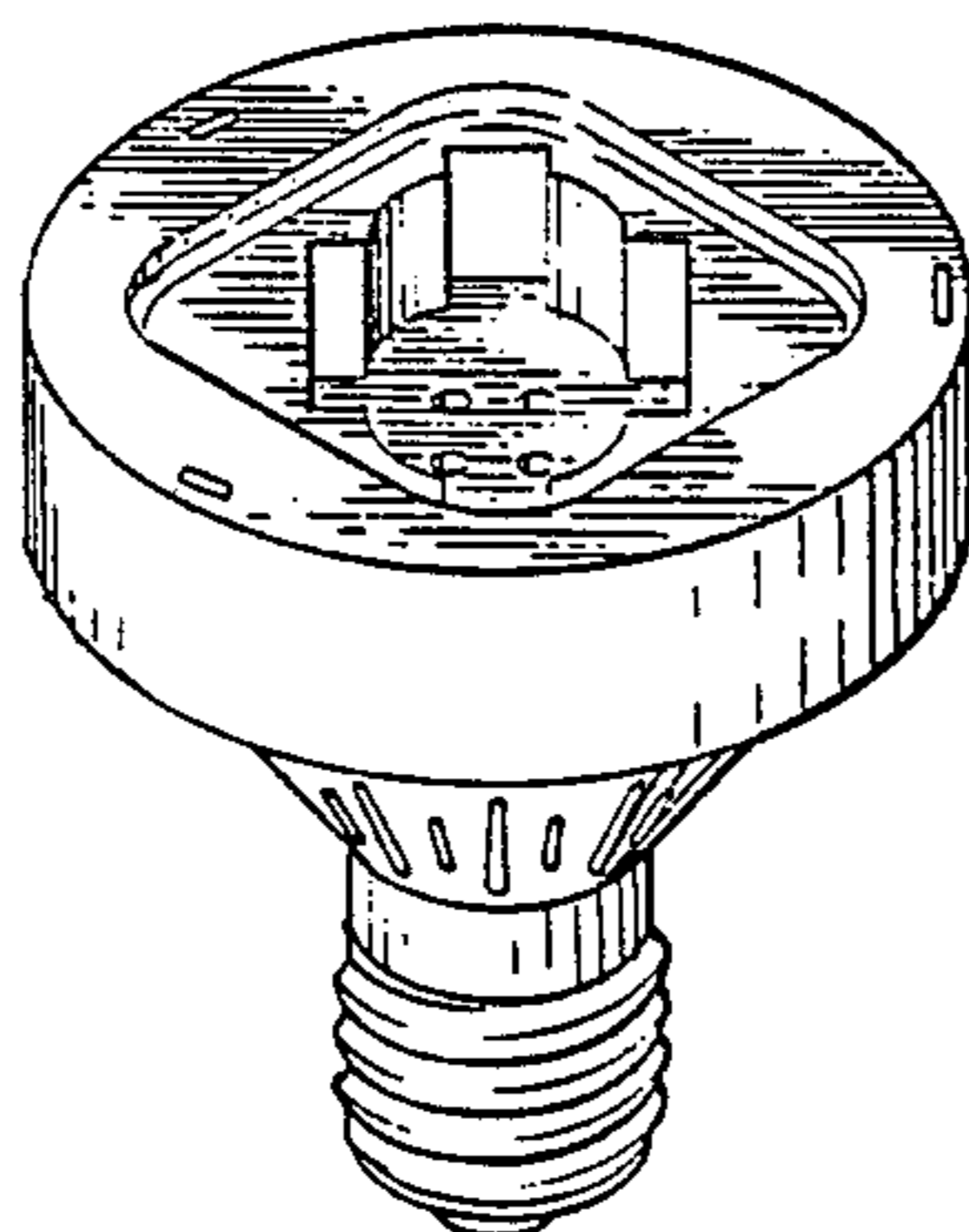
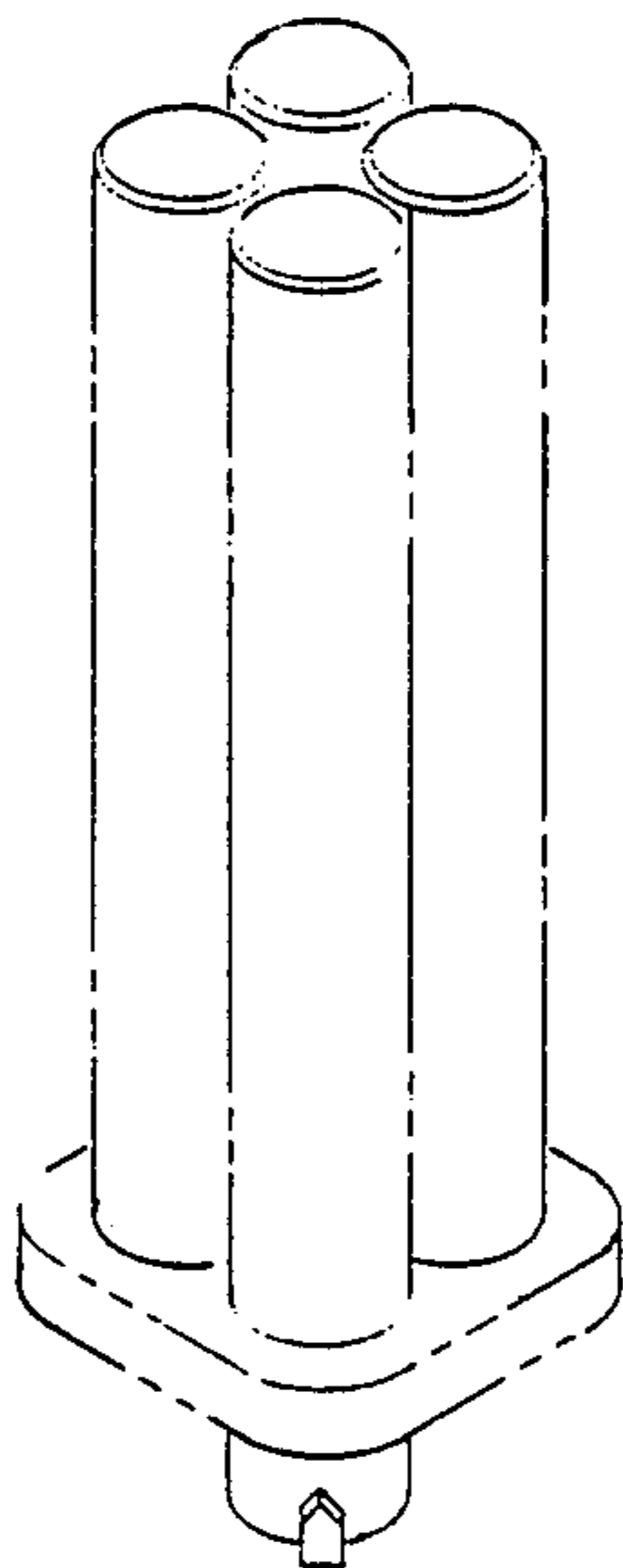
DESCRIPTION

FIG. 1 is a top front perspective view of a fluorescent lamp adapter base showing the new design, the fluorescent lamp being shown in broken lines for illustrative purposes only;

FIG. 2 is a top plan view thereof;

FIG. 3 is a front elevational view thereof, the rear and sides being identical.

FIG. 4 is a bottom plan view thereof.



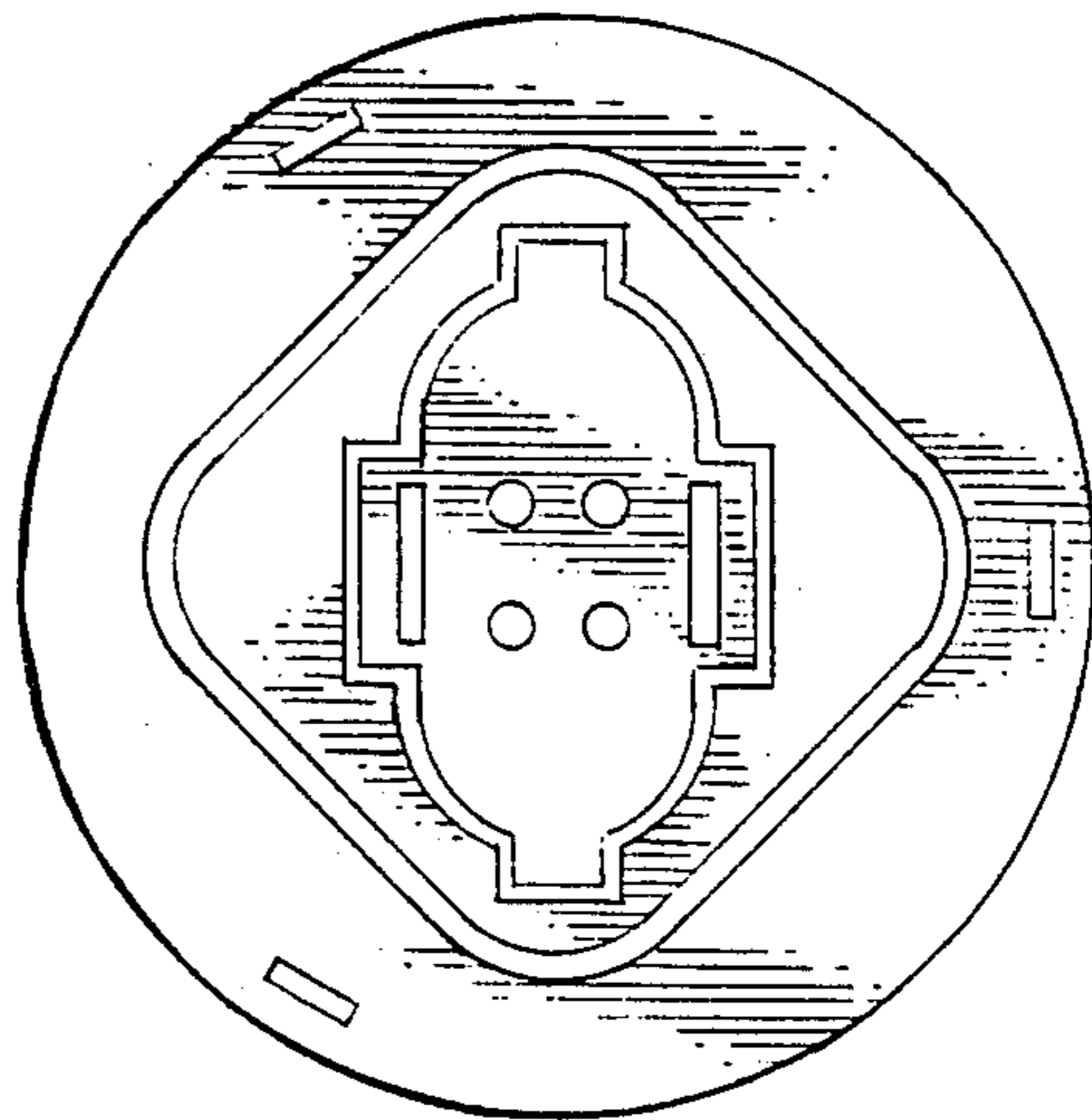
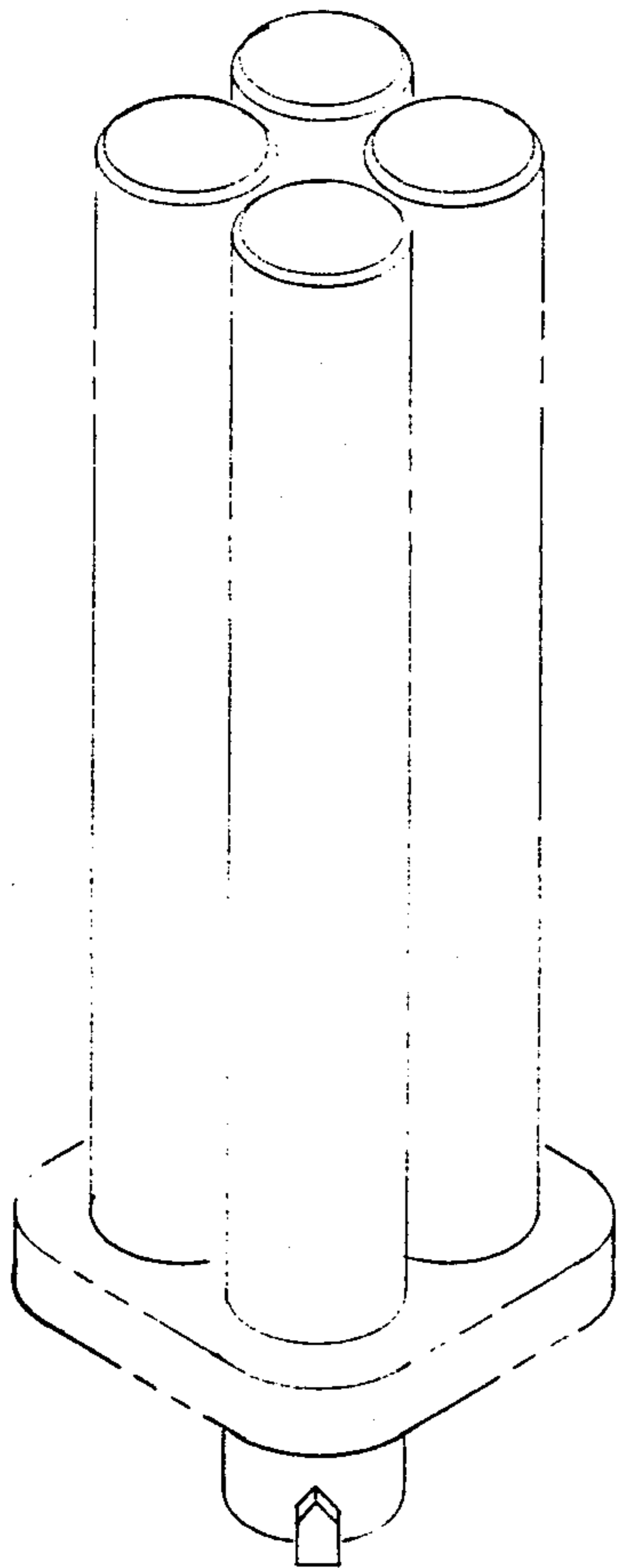


FIG 2

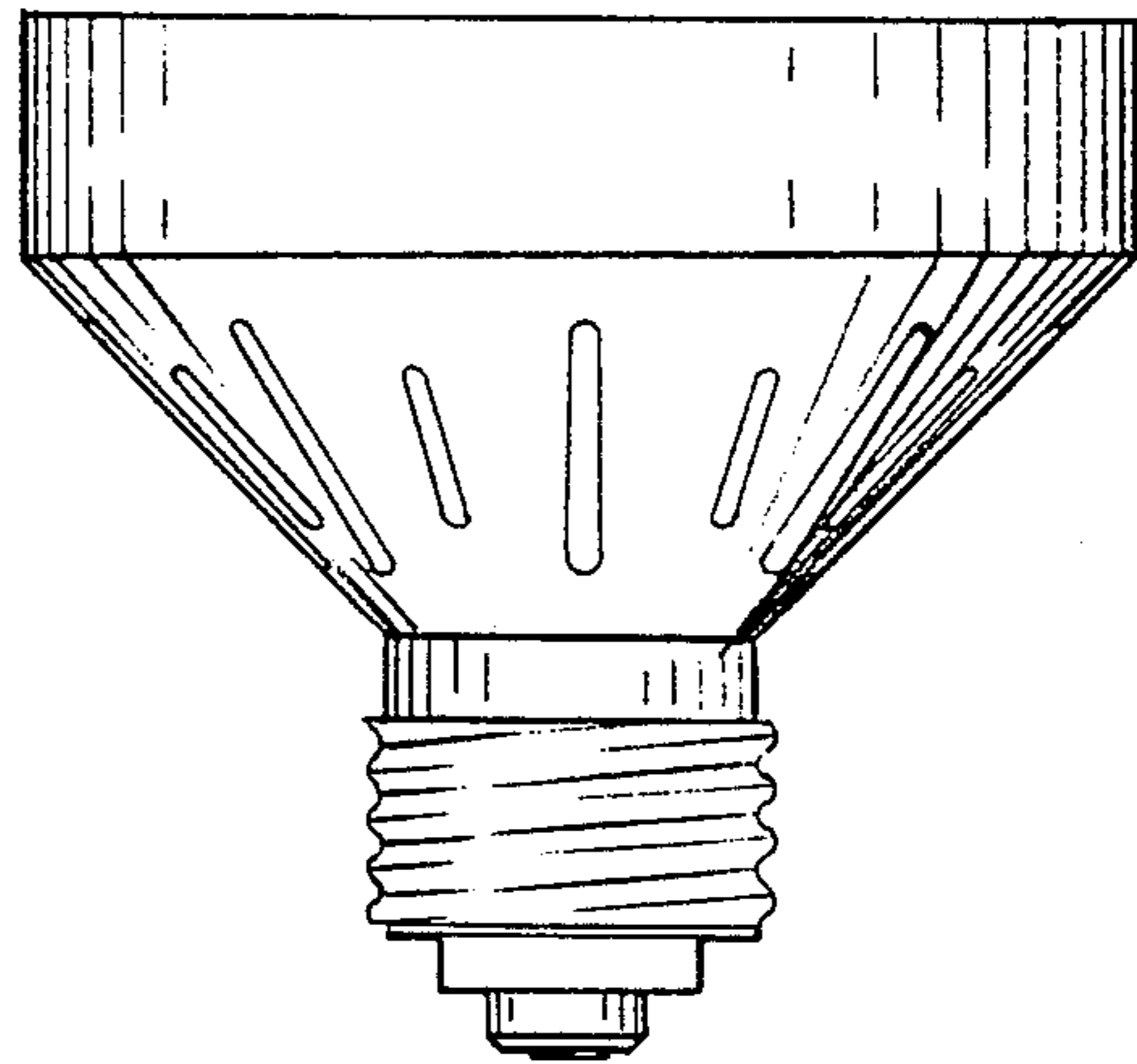


FIG 3

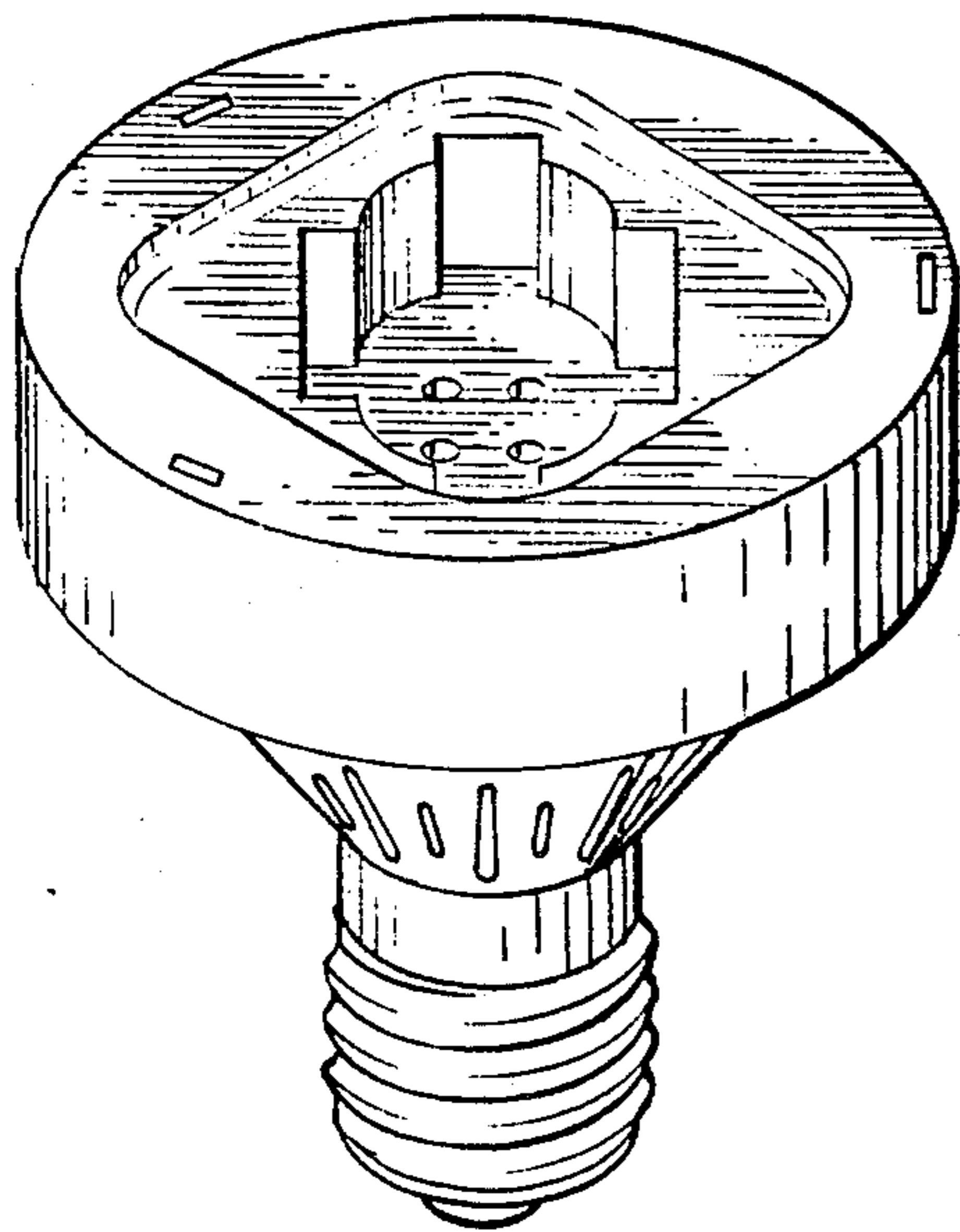


FIG 1

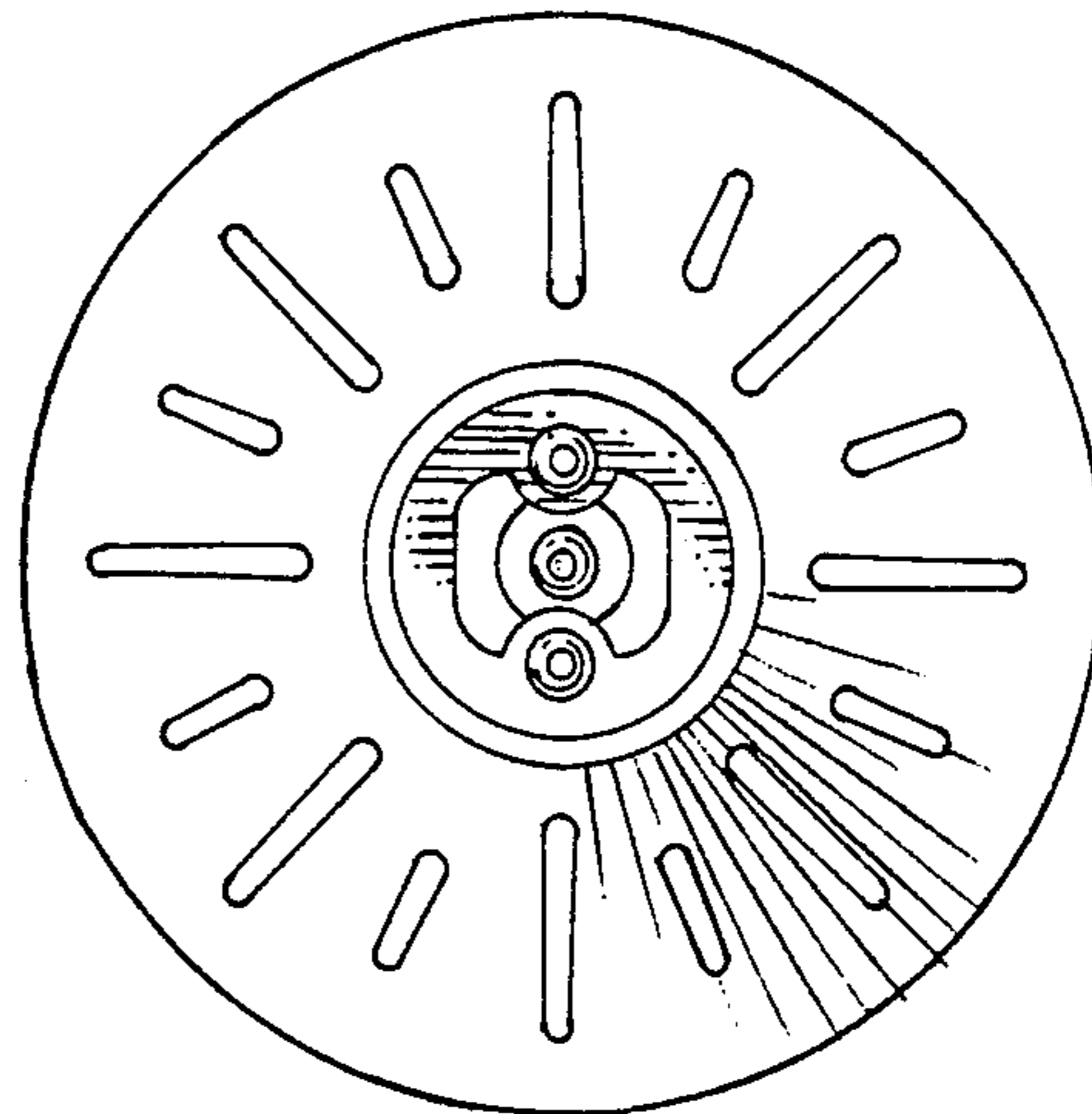


FIG 4