

[54] **CANOPY FOR A MOTOR VEHICLE**

[75] **Inventor: Kim T. Bolvary, 6 Cowan Place, Safety Bay, Australia**

[73] **Assignee: Kim Tibor Bolvary, Safety Bay, Australia**

[\*\*] **Term: 14 Years**

[21] **Appl. No.: 835,319**

[22] **Filed: Feb. 24, 1986**

[30] **Foreign Application Priority Data**

Aug. 27, 1985 [AU] Australia ..... 2396/85  
[52] **U.S. Cl. .... D12/156**  
[58] **Field of Search ..... D12/156; D14/30; D34/37; 296/190, 102**

[56] **References Cited**

**U.S. PATENT DOCUMENTS**

D. 249,254 9/1978 Martin, Sr. .... D34/37  
D. 291,676 9/1987 Noble ..... D12/156

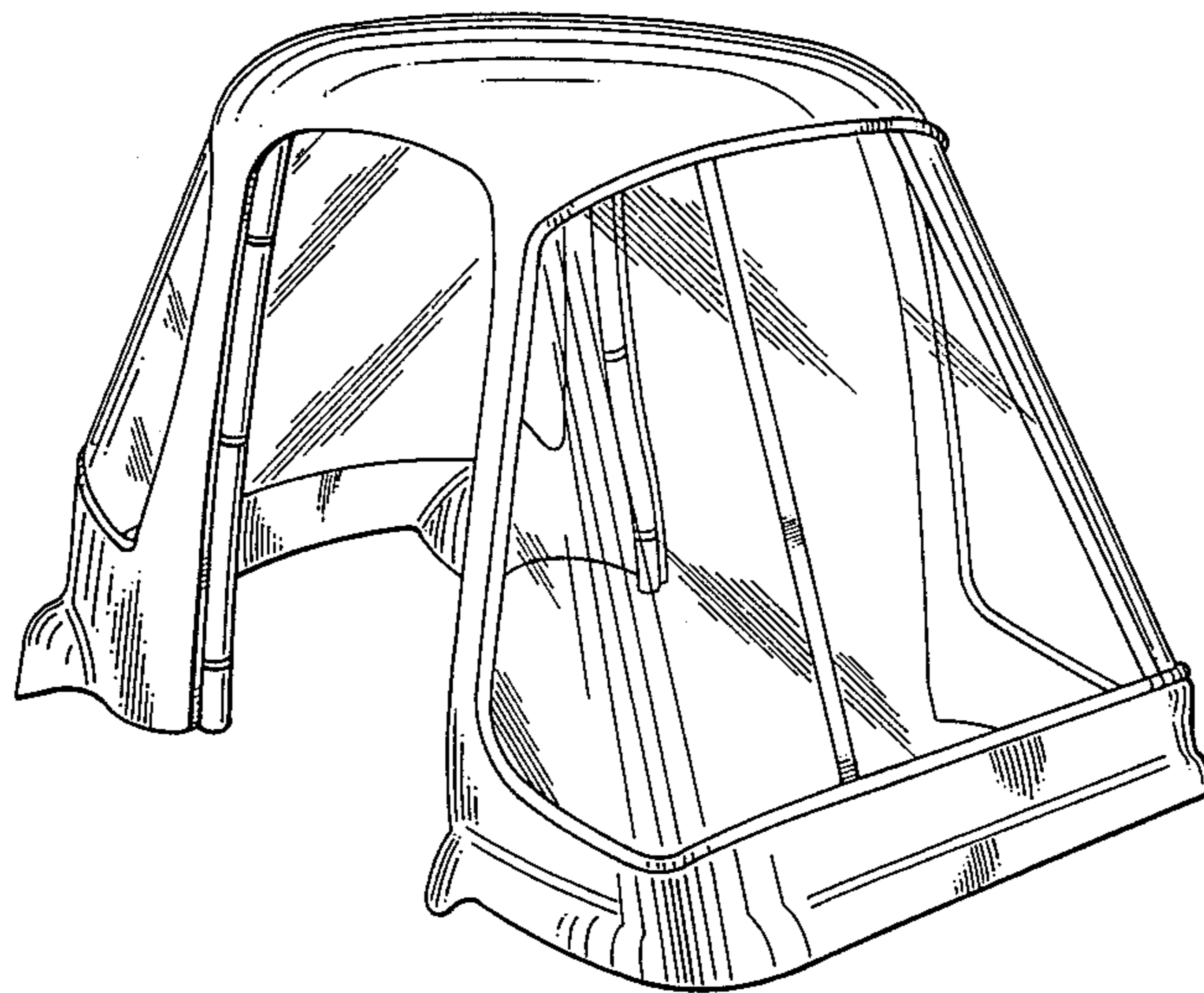
*Primary Examiner*—James M. Gandy  
*Attorney, Agent, or Firm*—Vidas & Arrett

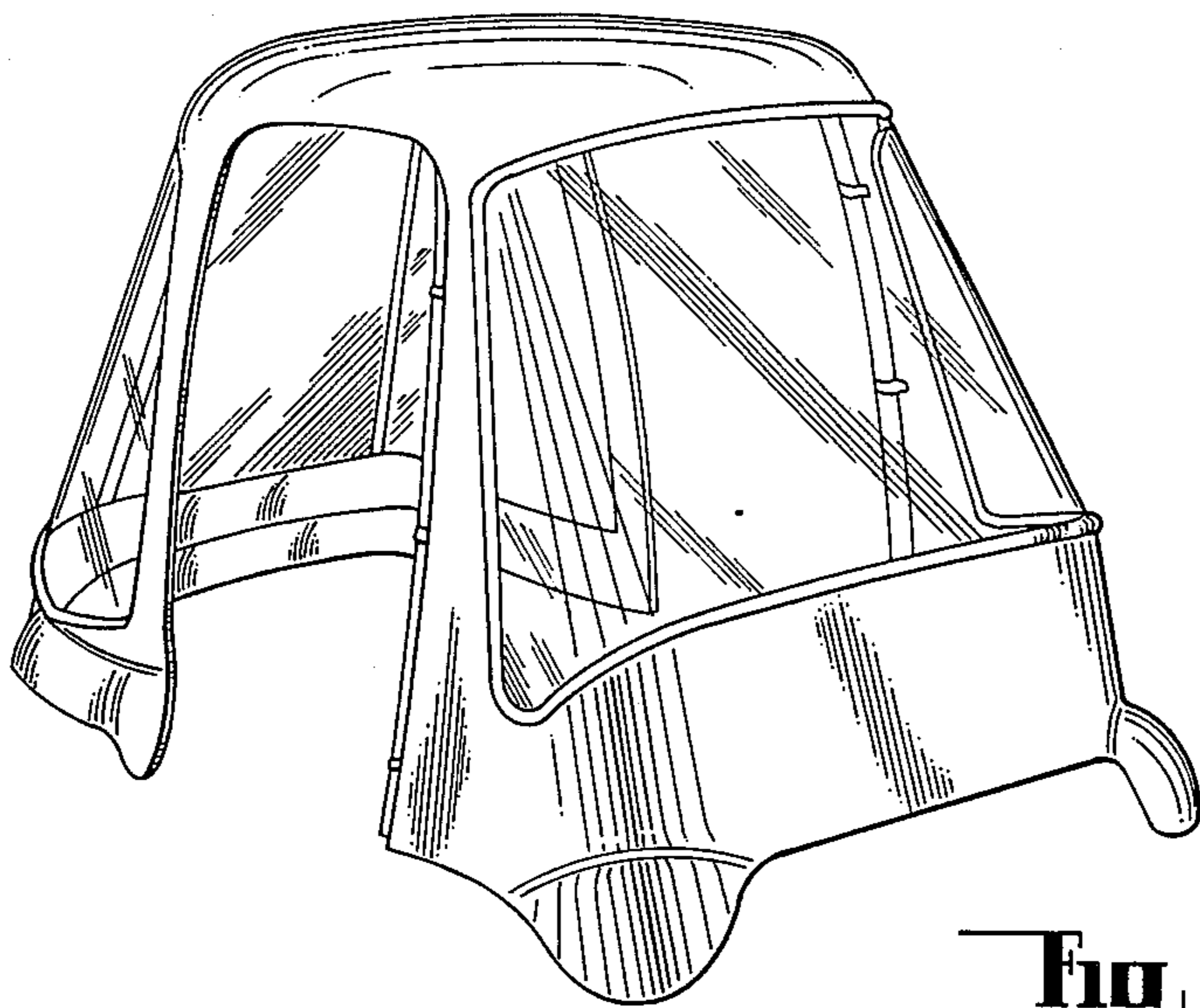
[57] **CLAIM**

The ornamental design for a canopy for a motor vehicle, as shown.

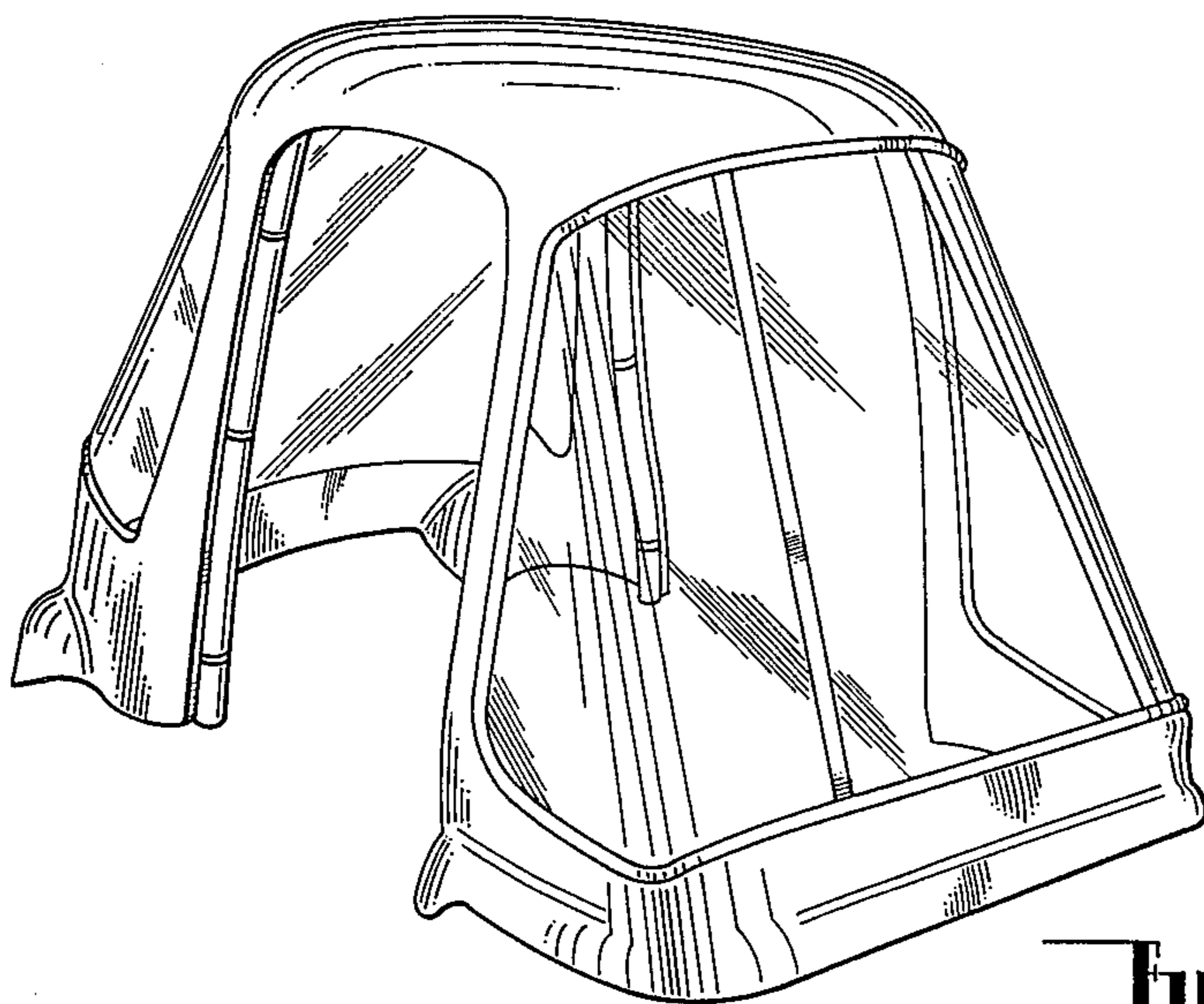
**DESCRIPTION**

FIG. 1 is a rear perspective view of a canopy for a motor vehicle showing my new design with the doors in open condition;  
FIG. 2 is a front perspective view of FIG. 1;  
FIG. 3 is a rear perspective view thereof with the doors in closed condition; and  
FIG. 4. is a front perspective view of FIG. 3.

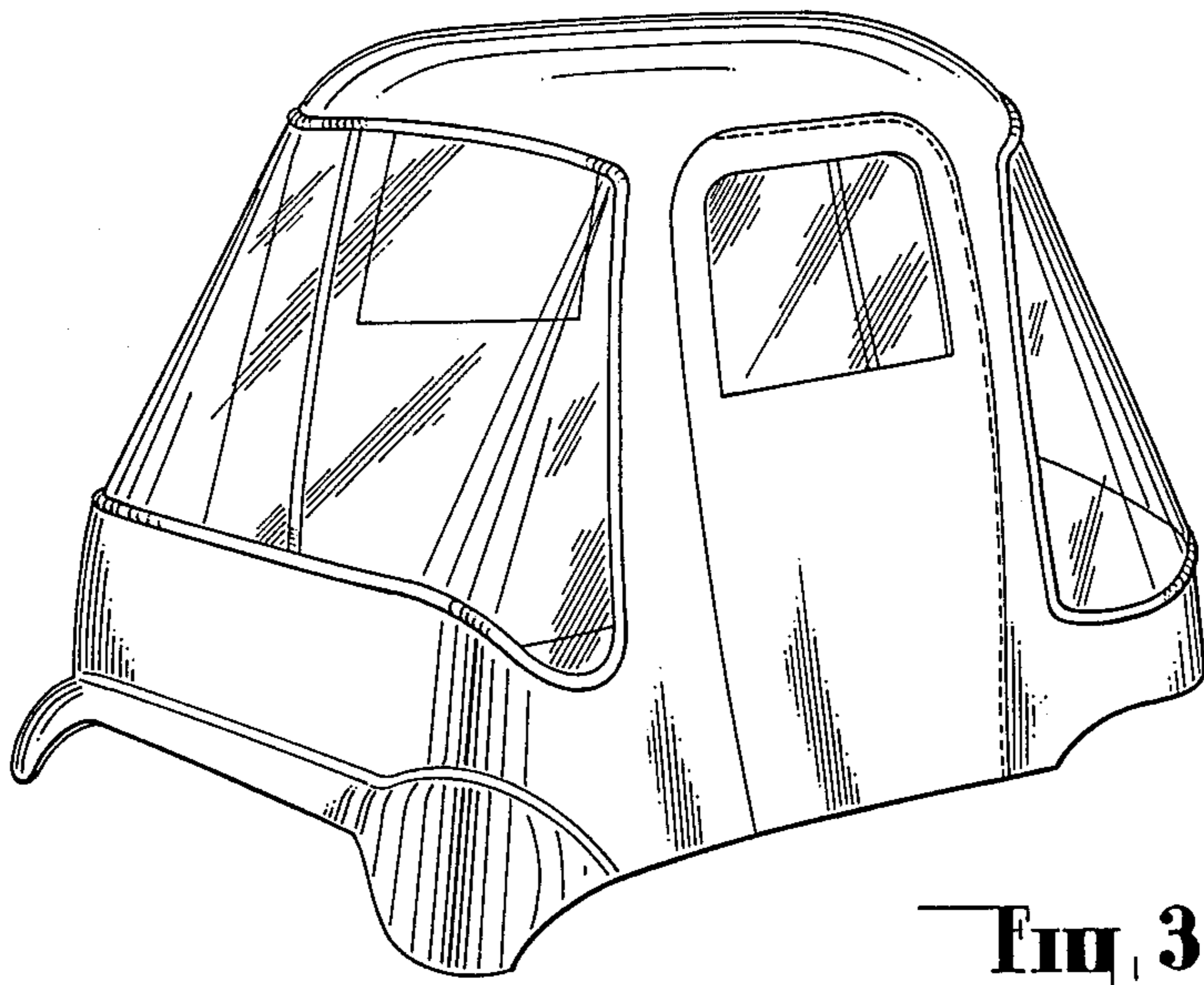




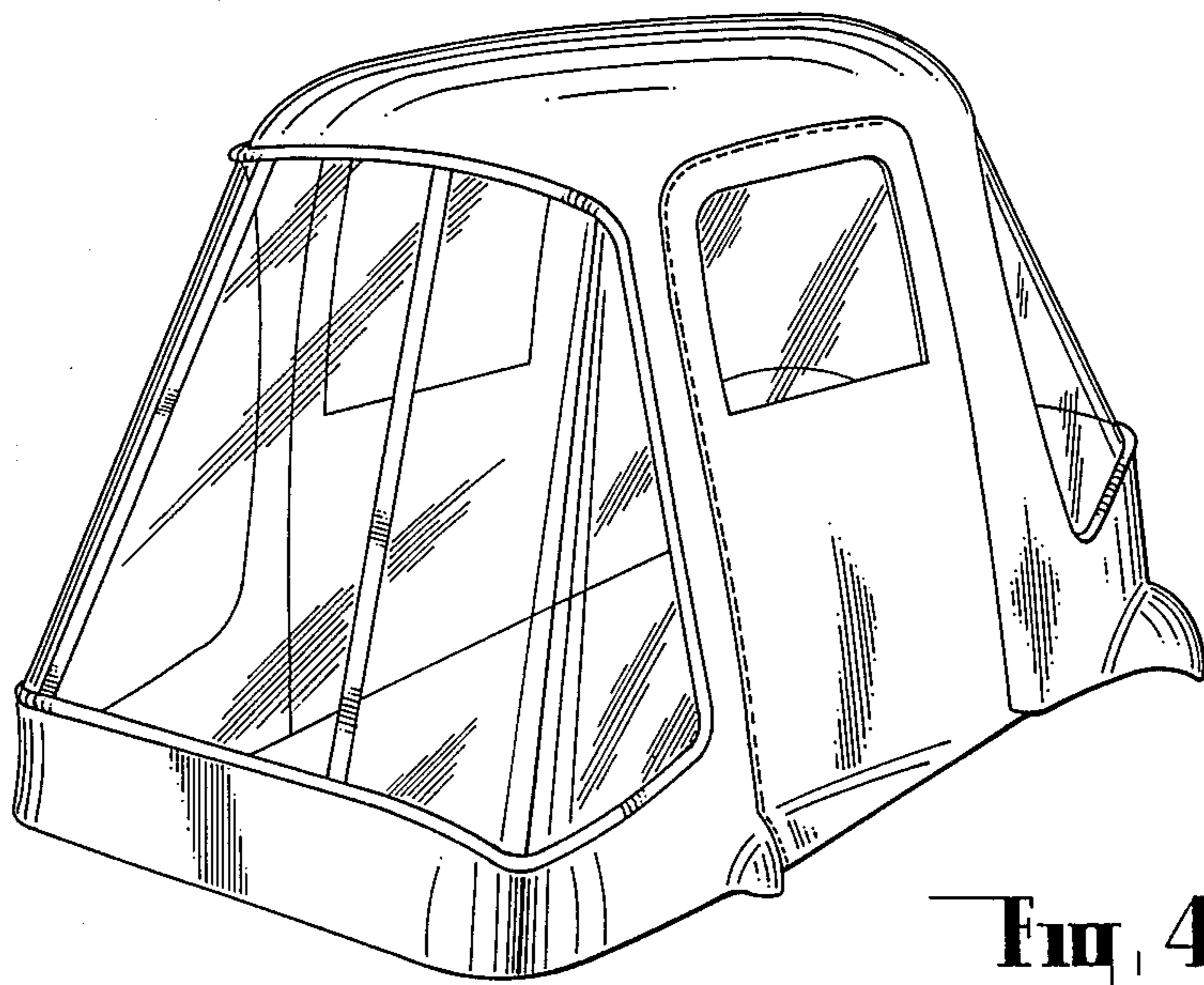
**Fig. 1,**



**Fig. 2,**



**FIG. 3,**



**FIG. 4,**