

[54] EXPANSION BRACELET

[75] Inventor: Murray L. Cowan, Norwood, Mass.

[73] Assignee: Textron, Inc.

[**] Term: 14 Years

[21] Appl. No.: 77,401

[22] Filed: Jul. 20, 1987

[52] U.S. Cl. D11/25; D11/19

[58] Field of Search D11/1, 3, 4, 19, 20, D11/25, 93-94, 22; 63/26, 1.1; 59/78, 79.1-79.3, 80-82, 84

[56] References Cited

U.S. PATENT DOCUMENTS

- D. 194,057 11/1962 Cowan D11/22
- D. 254,845 4/1980 Young D11/19

Primary Examiner—Louis S. Zarfes

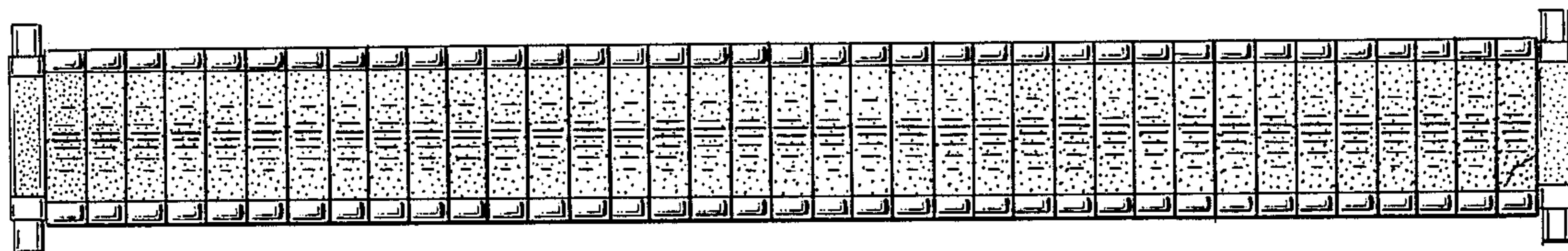
Assistant Examiner—R. T. Seifert
Attorney, Agent, or Firm—Samuels, Gauthier, Stevens & Kehoe

[57] CLAIM

The ornamental design for an expansion bracelet, as shown and described.

DESCRIPTION

FIG. 1 is a top plan view of an expansion bracelet showing my new design;
 FIG. 2 is a bottom plan view thereof with the central portion removed for ease of illustration;
 FIG. 3 is a side elevational view thereof;
 FIG. 4 is an end view thereof;
 FIG. 5 is an enlarged top plan view of an end portion thereof;
 FIG. 6 is an enlarged side elevational view of a portion thereof in the expanded condition; and
 FIG. 7 is a sectional view taken on line 7—7 of FIG. 6.



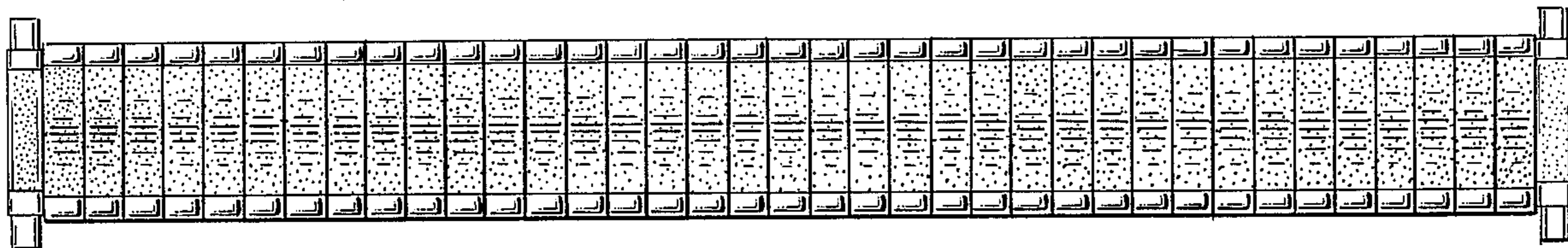


FIG. 1

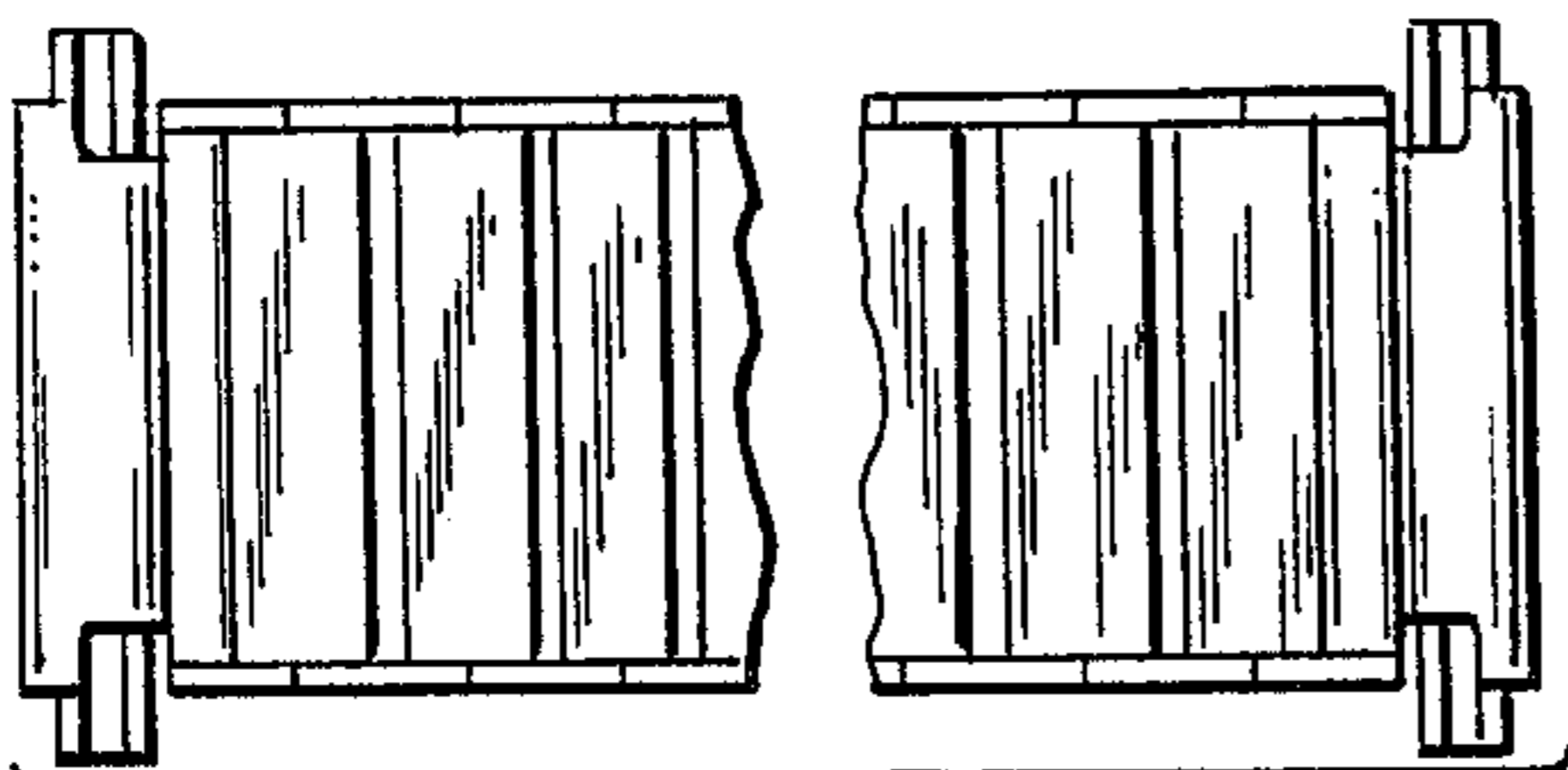


FIG. 2



FIG. 3

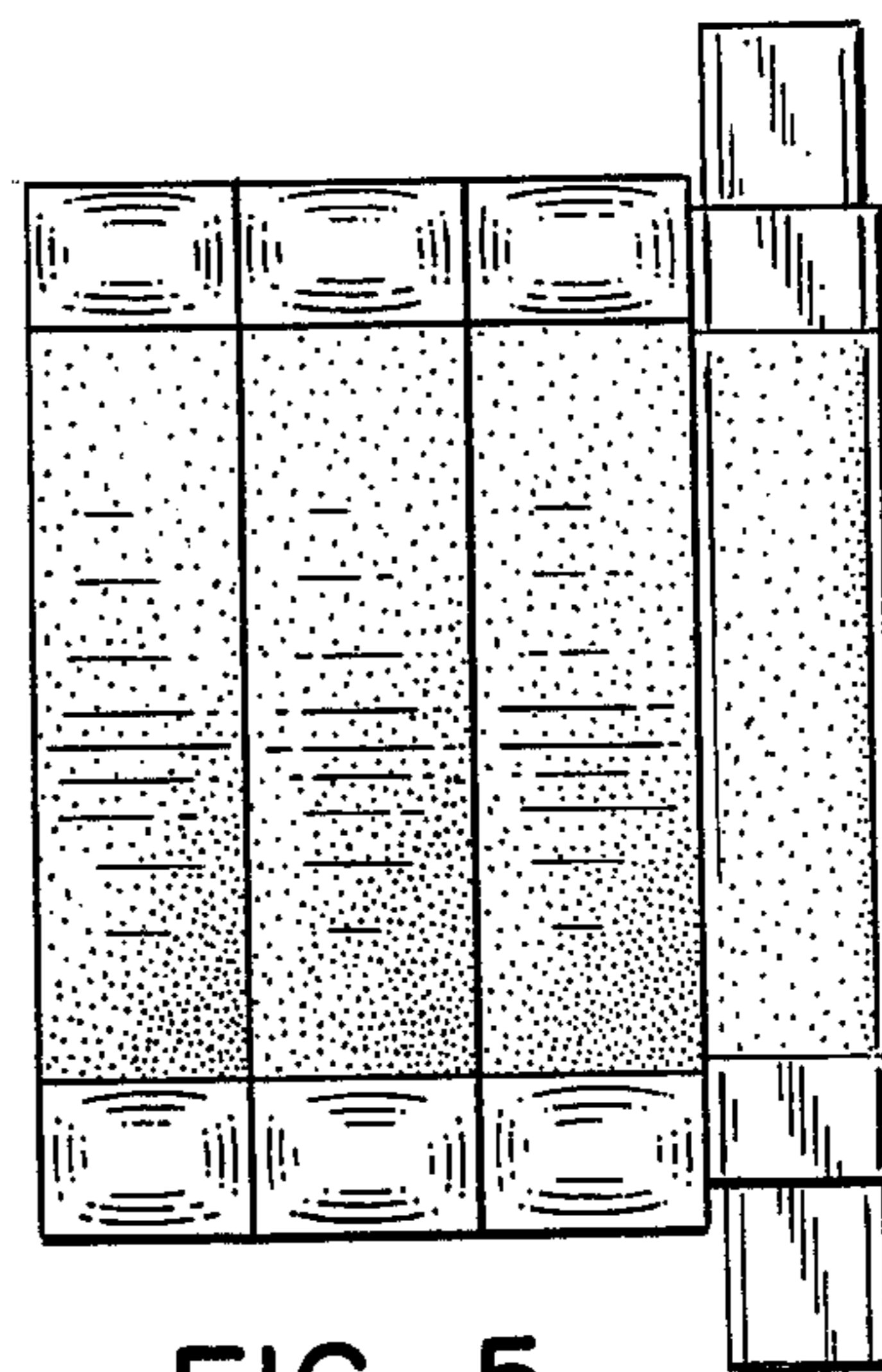


FIG. 5

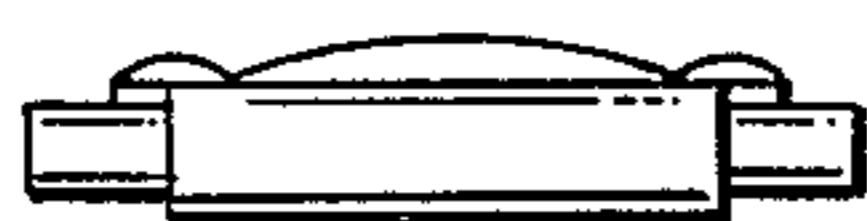


FIG. 4

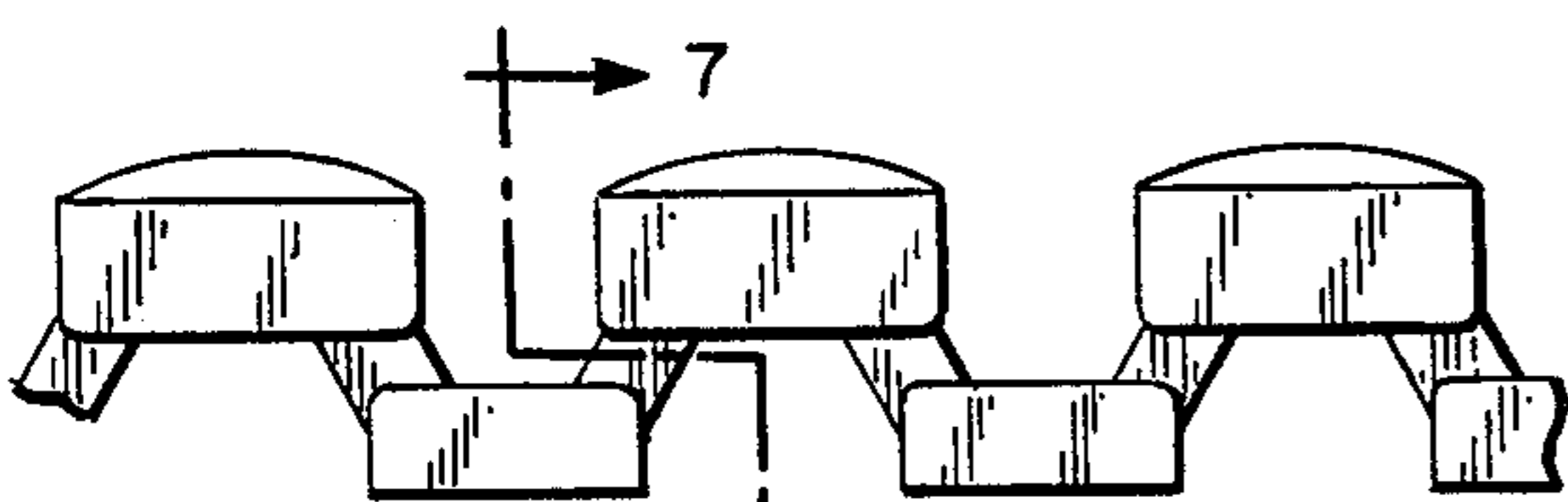


FIG. 6



FIG. 7