

[54] **COMBINED MOTION SENSOR AND MOUNTING FOR ADJUSTABLE FLOOD LIGHTS**

[75] **Inventor: John P. Carsello, Telford, Pa.**

[73] **Assignee: The Lamson & Sessions Co.,  
Cleveland, Ohio**

[\*\*] **Term: 14 Years**

[21] **Appl. No.: 835,325**

[22] **Filed: Feb. 24, 1986**

[52] **U.S. Cl. .... D10/106; D26/63;  
D26/138**

[58] **Field of Search ..... D10/104, 106, 121;  
340/521, 540-546, 555, 556, 557, 565-578;  
D26/24, 63, 138, 140**

[56] **References Cited**

**U.S. PATENT DOCUMENTS**

D. 242,992 1/1977 Moure ..... D10/106  
D. 269,072 5/1983 Sweet et al. .... D26/24 X

D. 269,553 6/1983 Johnson et al. .... D26/63  
4,383,250 5/1983 Galvin ..... 340/566 X  
4,549,092 10/1985 Matsuoka et al. .... 340/540 X

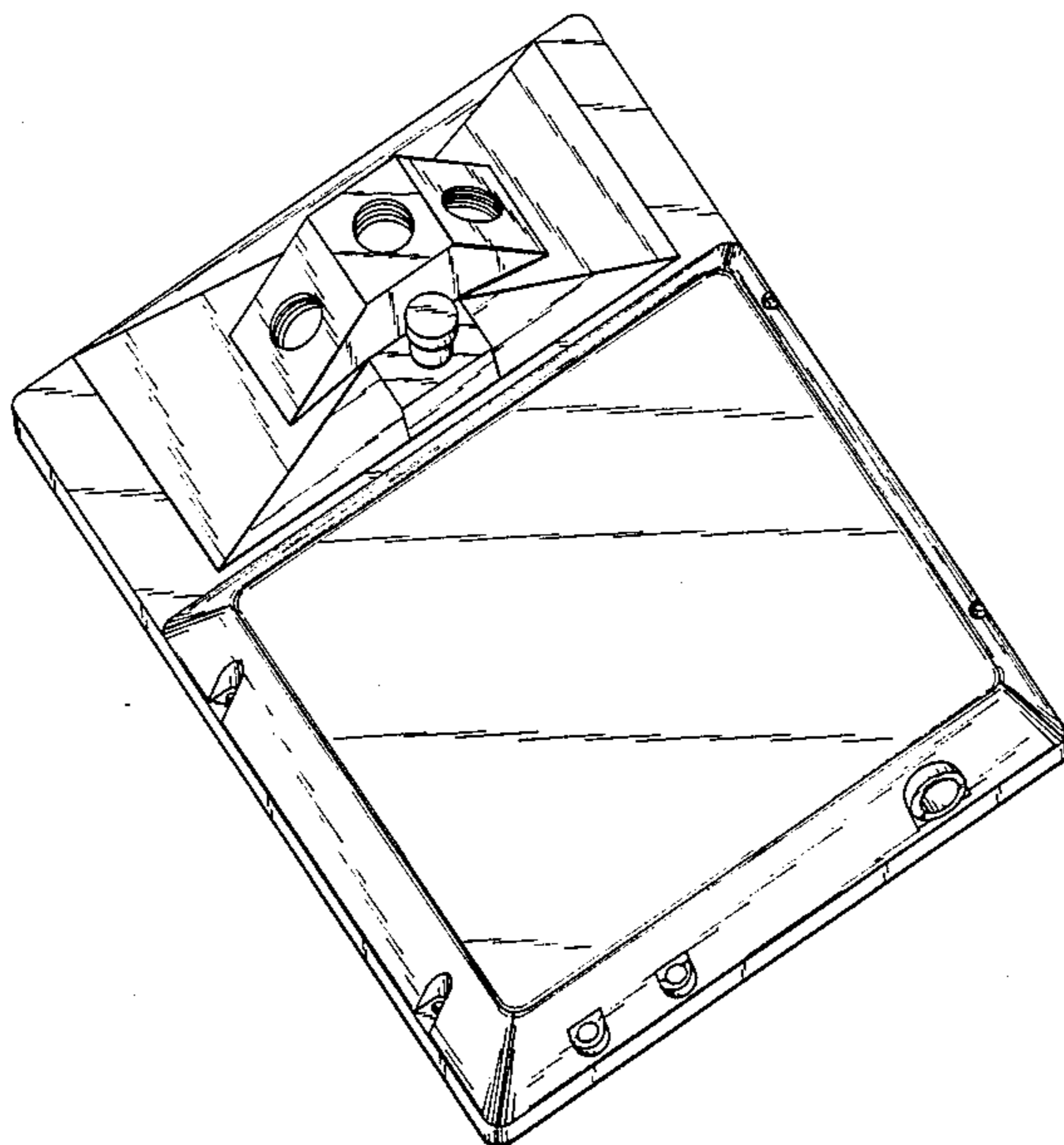
*Primary Examiner*—Susan J. Lucas  
*Attorney, Agent, or Firm*—Laney, Dougherty, Hessin &  
Beavers

[57] **CLAIM**

The ornamental design for a combined motion sensor and mounting for adjustable flood lights, as shown and described.

**DESCRIPTION**

FIG. 1 is a top plan view of a combined motion sensor and mounting for adjustable flood lights showing my design;  
FIG. 2 is a front elevational view thereof;  
FIG. 3 is a bottom plan view thereof;  
FIG. 4 is a rear elevational view thereof;  
FIG. 5 is a left side elevational view thereof;  
FIG. 6 is a right side elevational view thereof;  
FIG. 7 is a bottom, front perspective thereof on an enlarged scale.



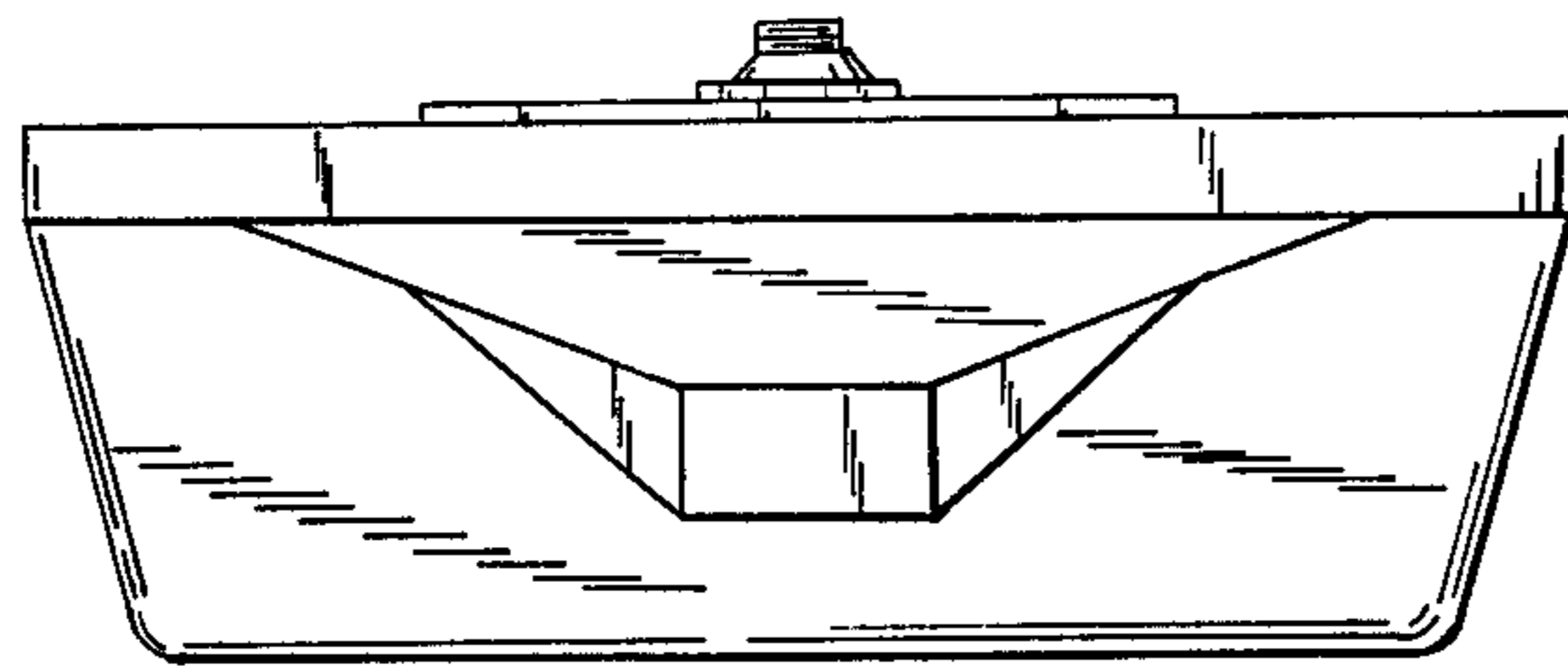


FIG-1

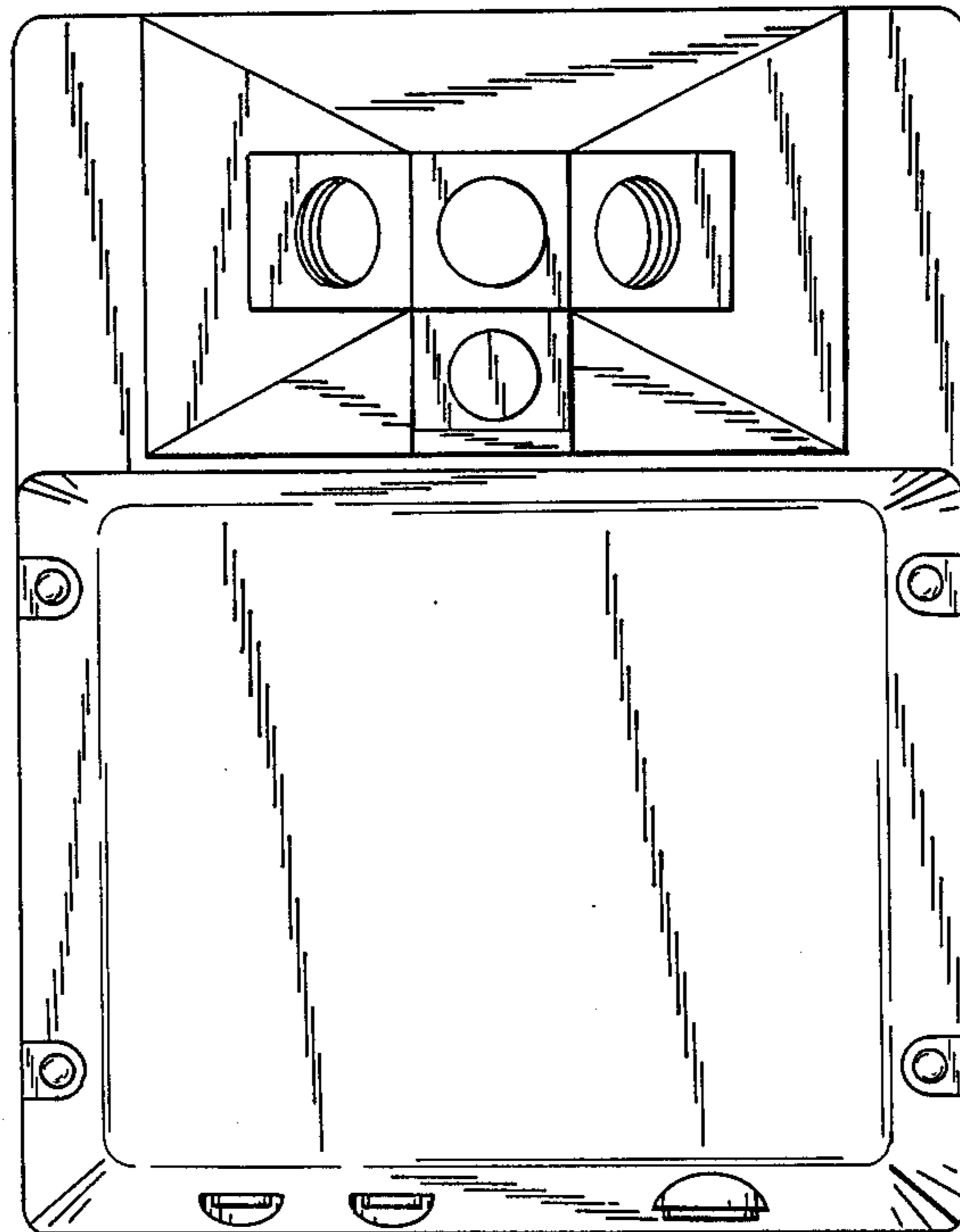


FIG-2

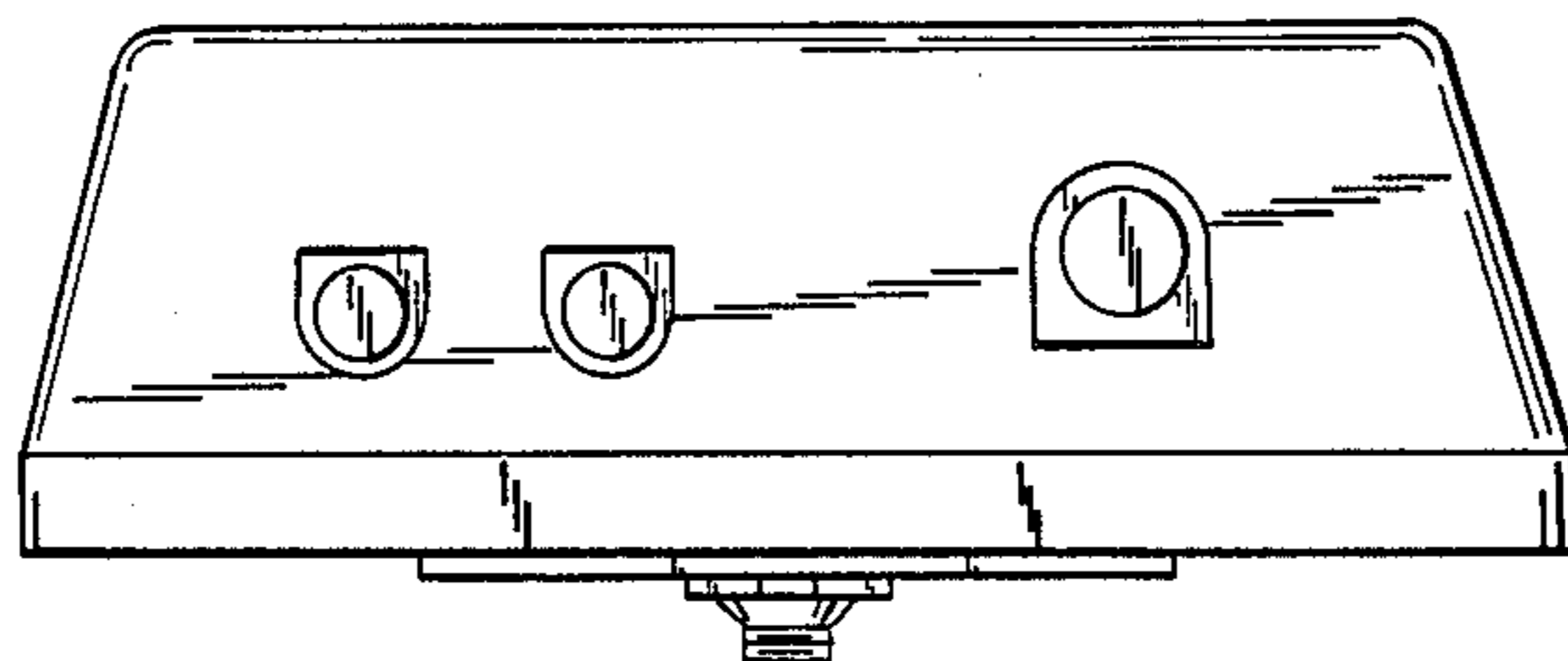
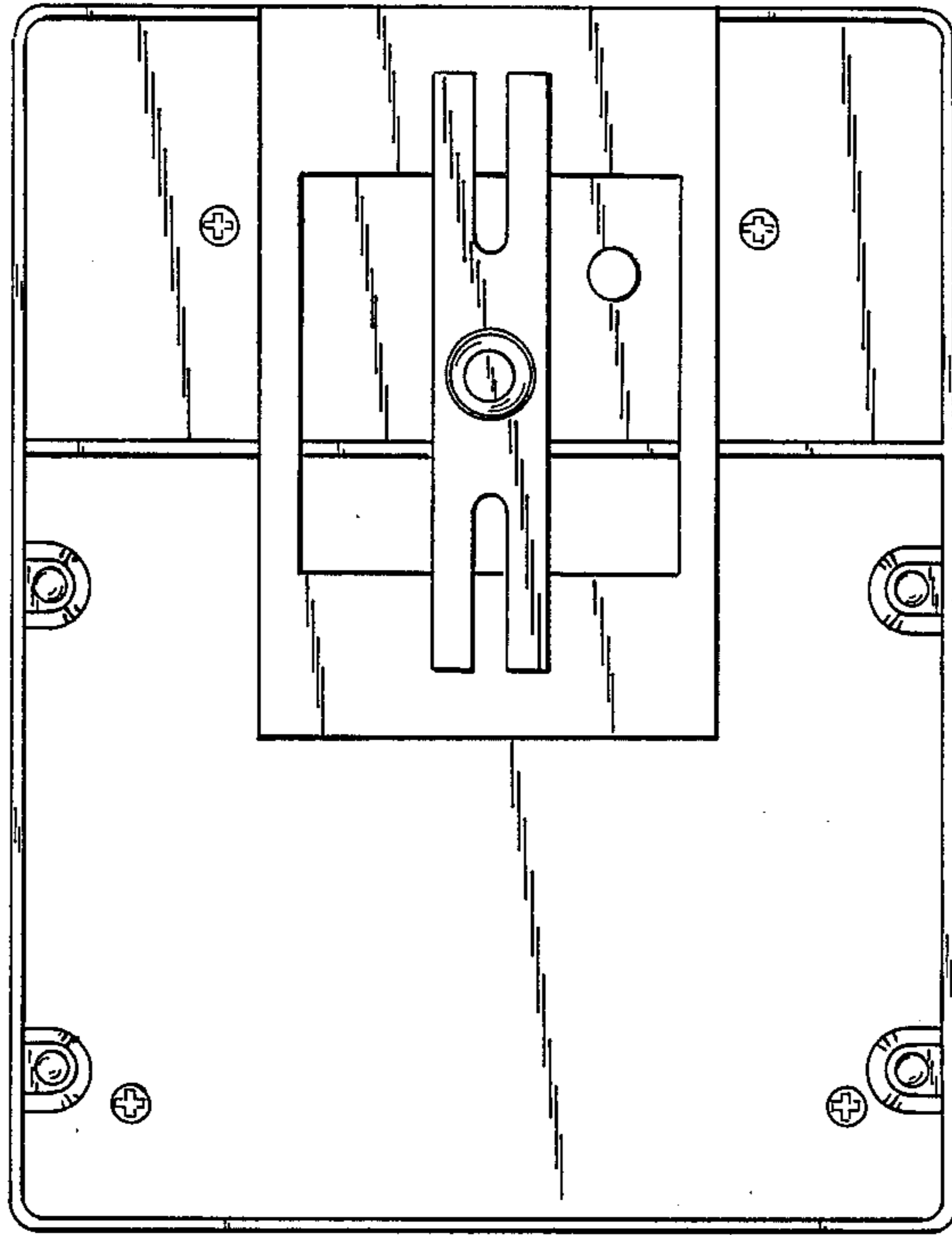
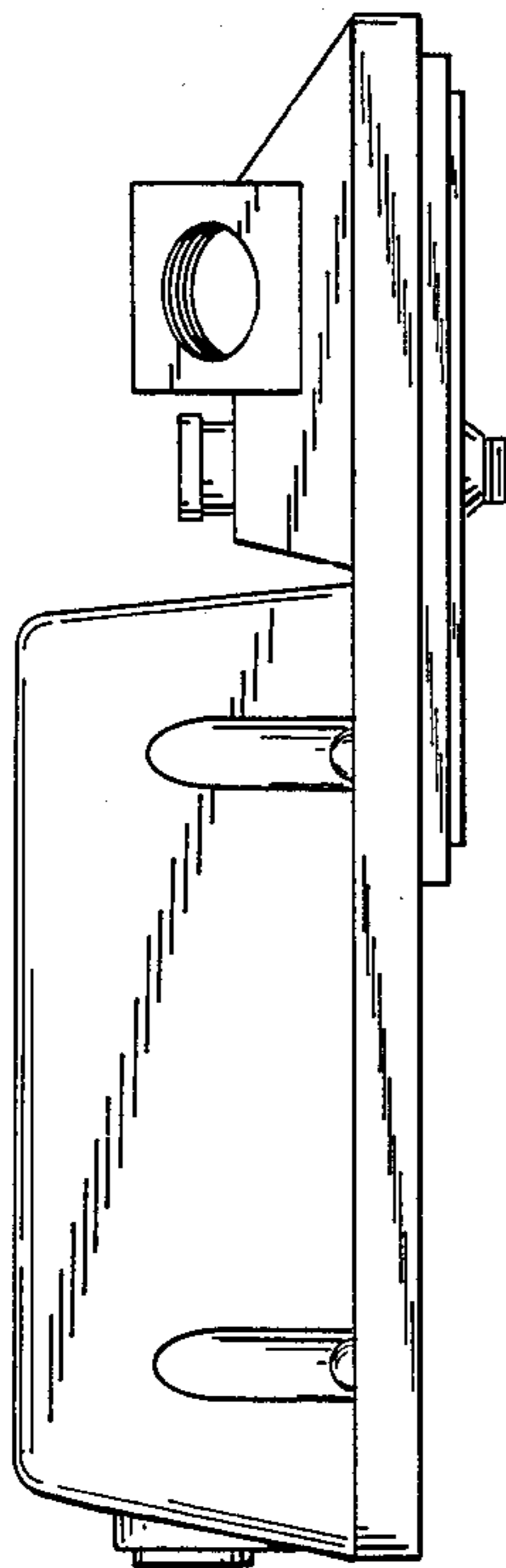


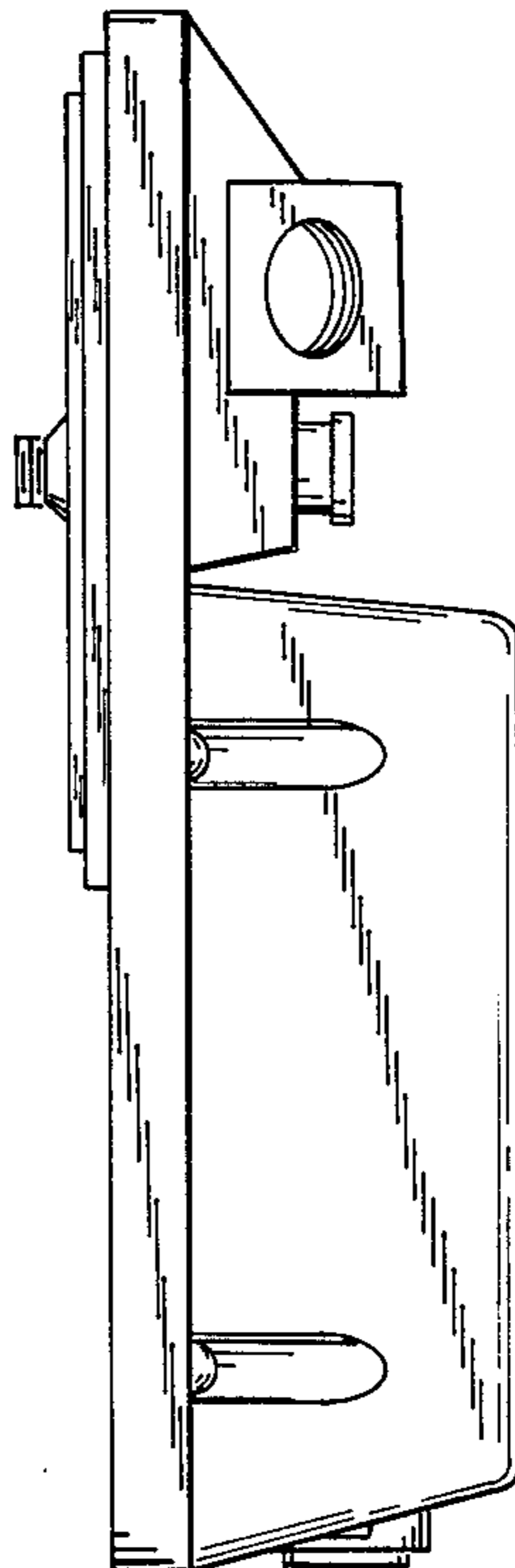
FIG-3



**FIG-4**



**FIG-5**



**FIG-6**

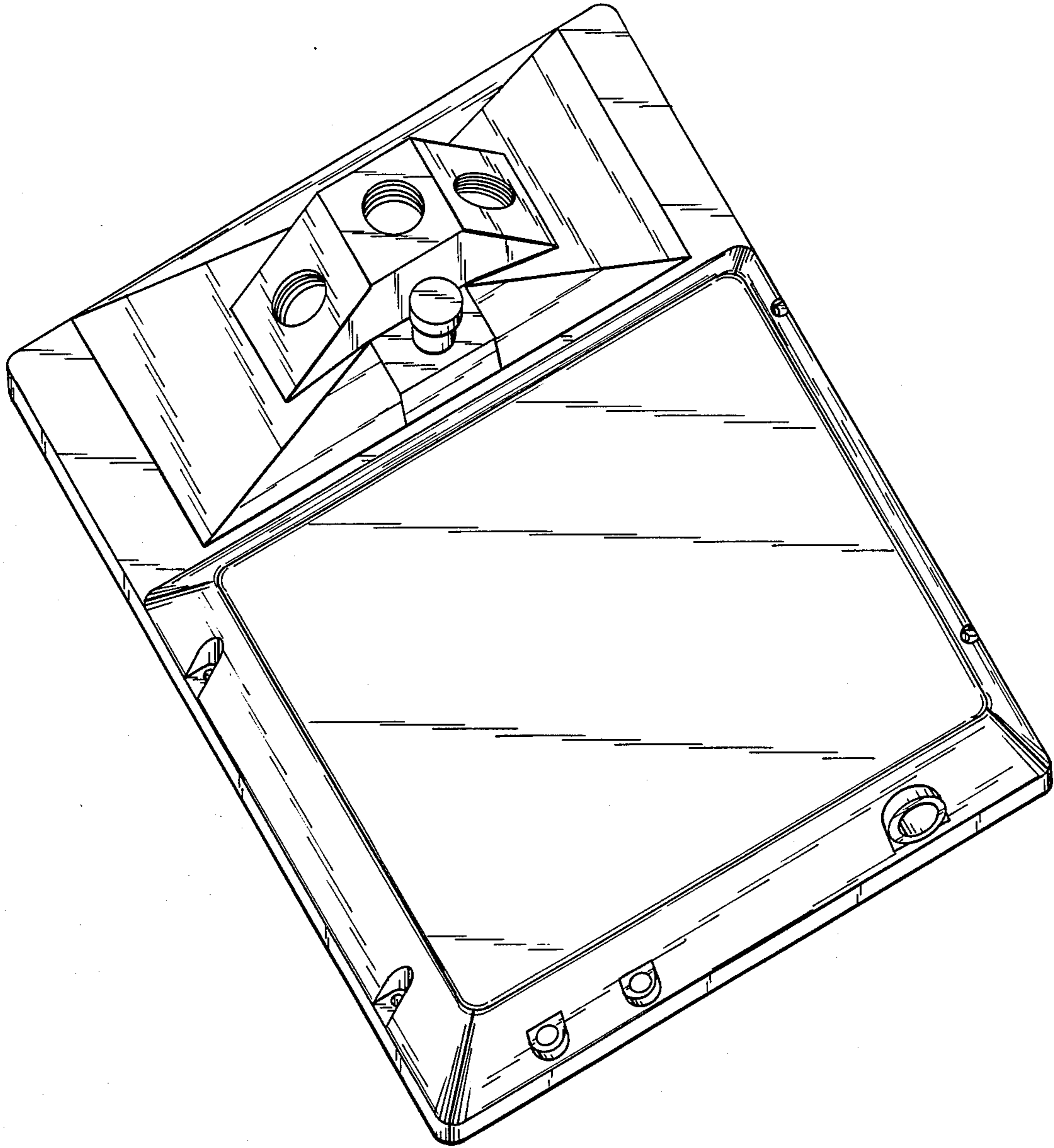


FIG. 2