

United States Patent [19]

Masuda

[11] Patent Number: **Des. 304,012**

[45] Date of Patent: **** Oct. 17, 1989**

[54] HINGE

[75] Inventor: **Yoshinori Masuda, Tokyo, Japan**

[73] Assignee: **Kabushiki Kaisha Murakoshi Seiko, Tokyo, Japan**

[**] Term: **14 Years**

[21] Appl. No.: **280,730**

[22] Filed: **Dec. 6, 1988**

[30] **Foreign Application Priority Data**

Jun. 16, 1988 [JP] Japan 63-23958

[52] U.S. Cl. **D8/323**

[58] Field of Search **D8/323-329;**
16/221, 231, 232, 224, 382

[56] **References Cited**

U.S. PATENT DOCUMENTS

D. 299,616 1/1989 Ferrari D8/323

4,359,803 11/1982 Lautenschläger 16/382

4,760,623 8/1988 Toyama 16/382
4,776,061 10/1988 Franco 16/382
4,799,289 1/1989 Grass 16/382

Primary Examiner—B. J. Bullock
Attorney, Agent, or Firm—James E. Nilles

[57] **CLAIM**

The ornamental design for a hinge, as shown.

DESCRIPTION

FIG. 1 is a front elevational view of a hinge in the closed state showing my new design;
FIG. 2 is a rear elevational view thereof;
FIG. 3 is a top plan view thereof;
FIG. 4 is a bottom plan view thereof;
FIG. 5 is a left side elevational view thereof;
FIG. 6 is a right side elevational view thereof;
FIG. 7 is a front, top perspective view thereof;
FIG. 8 is a rear, top perspective view thereof;
FIG. 9 is a front elevational view thereof, in its open state;
FIG. 10 is a front, top perspective view of FIG. 9.

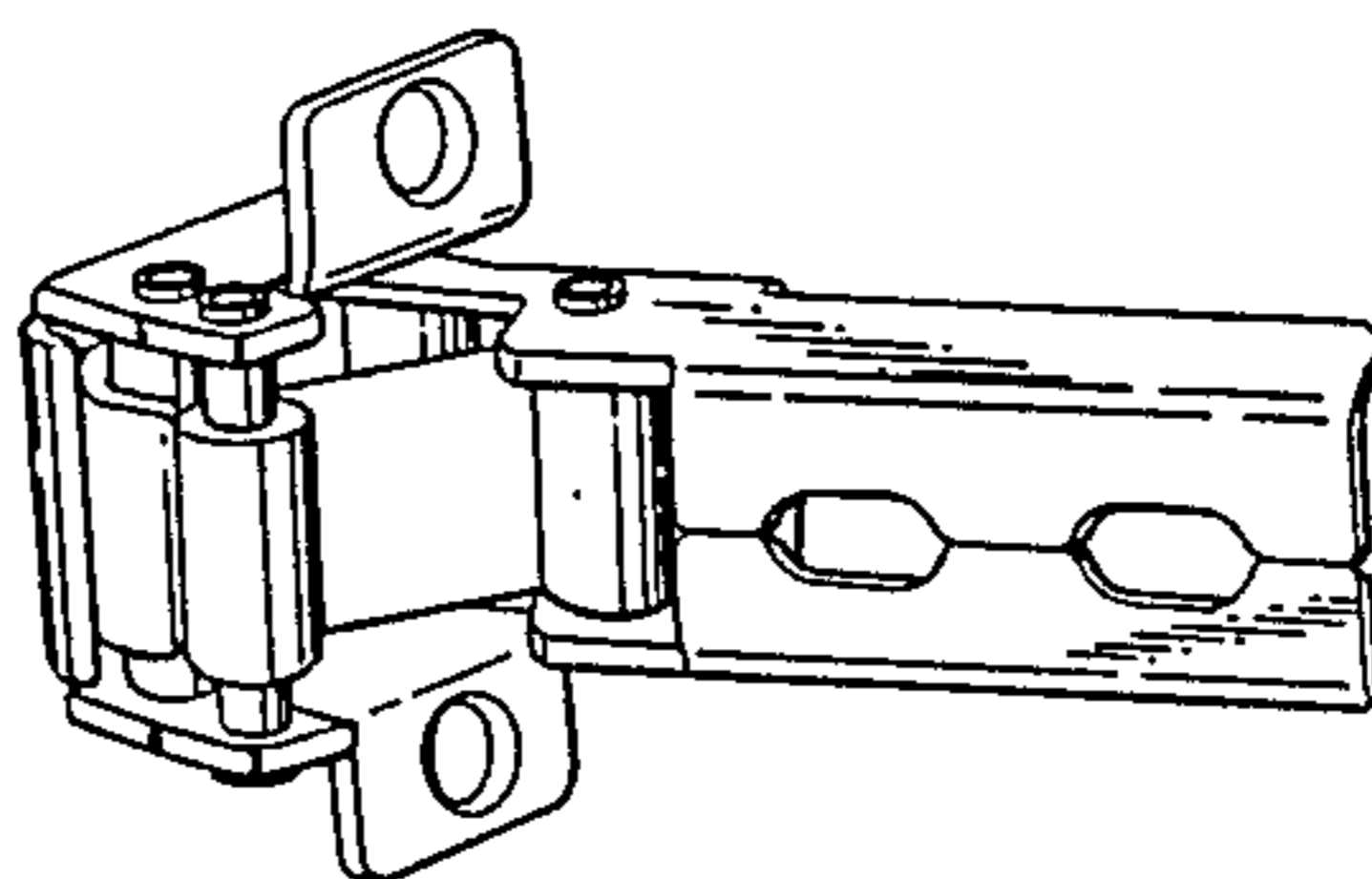
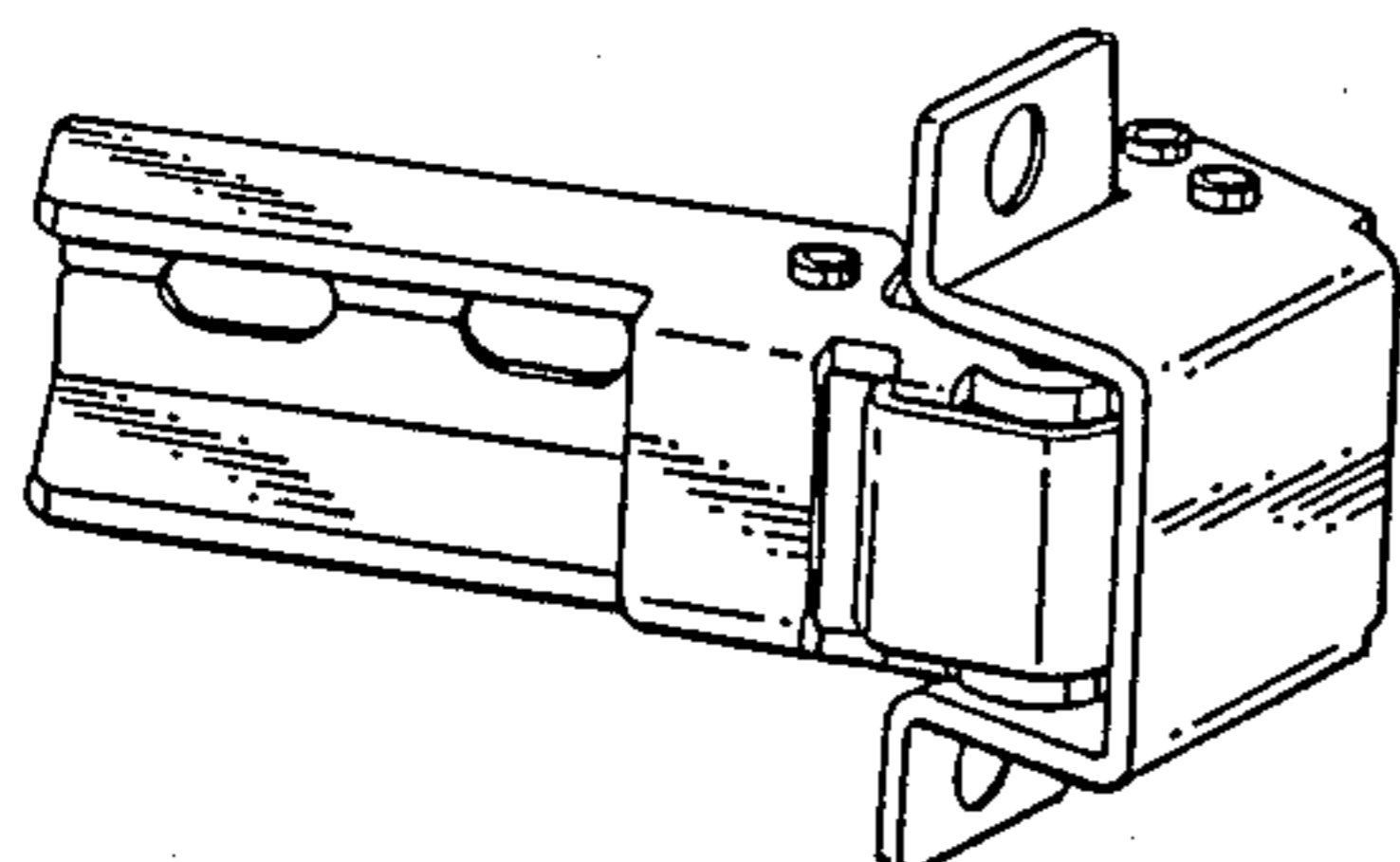


FIG. 1

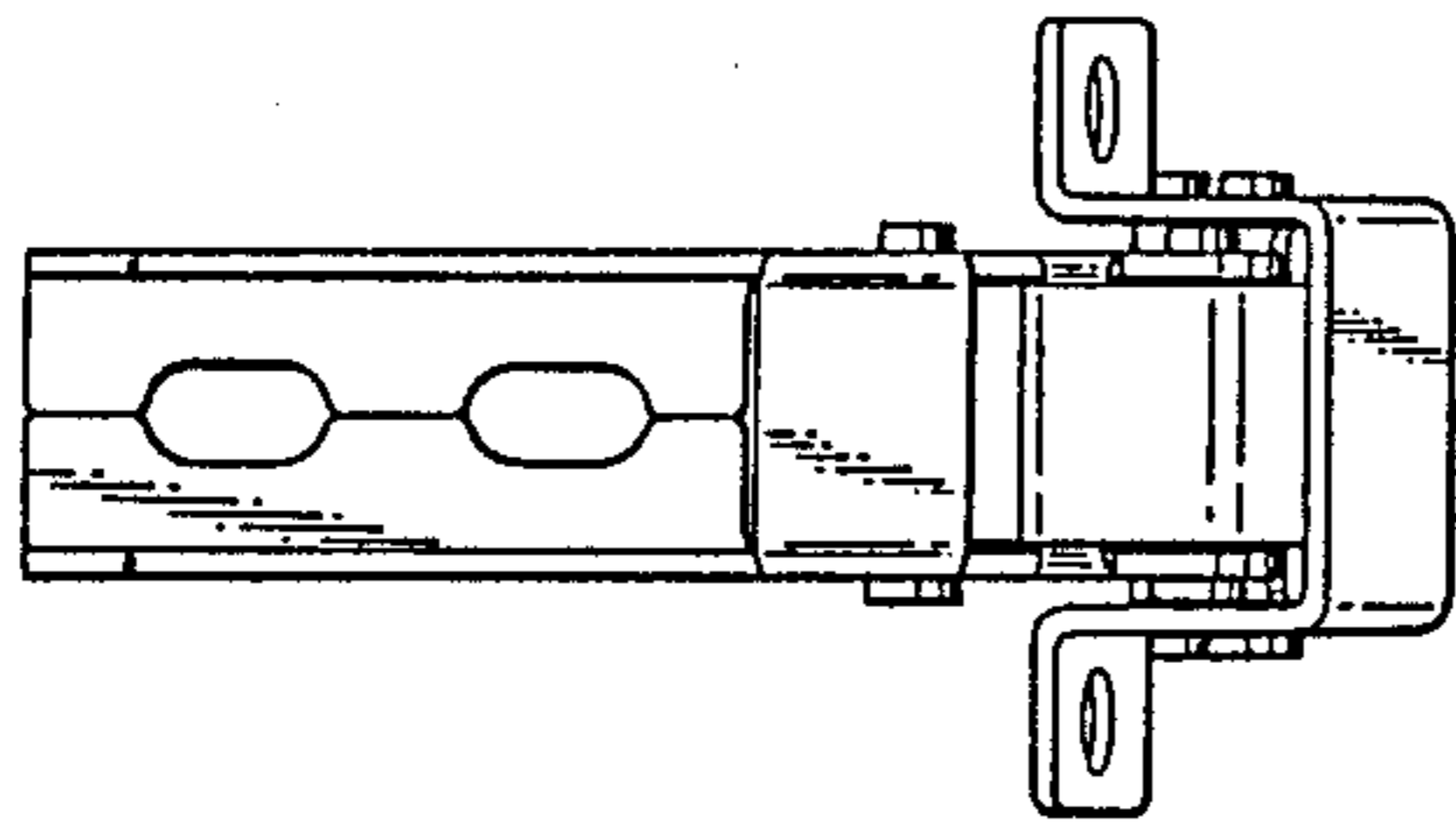


FIG. 2

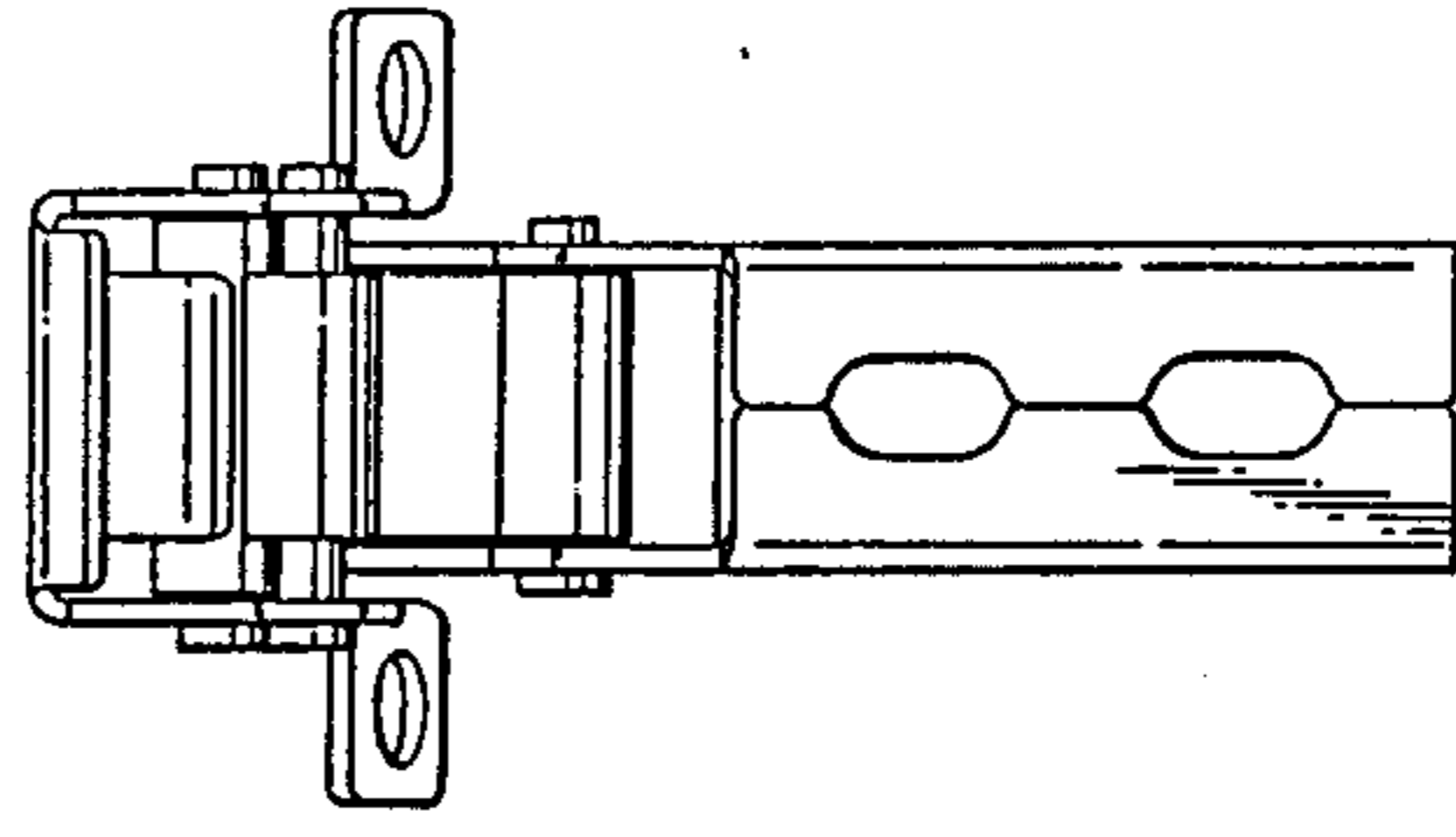


FIG. 3

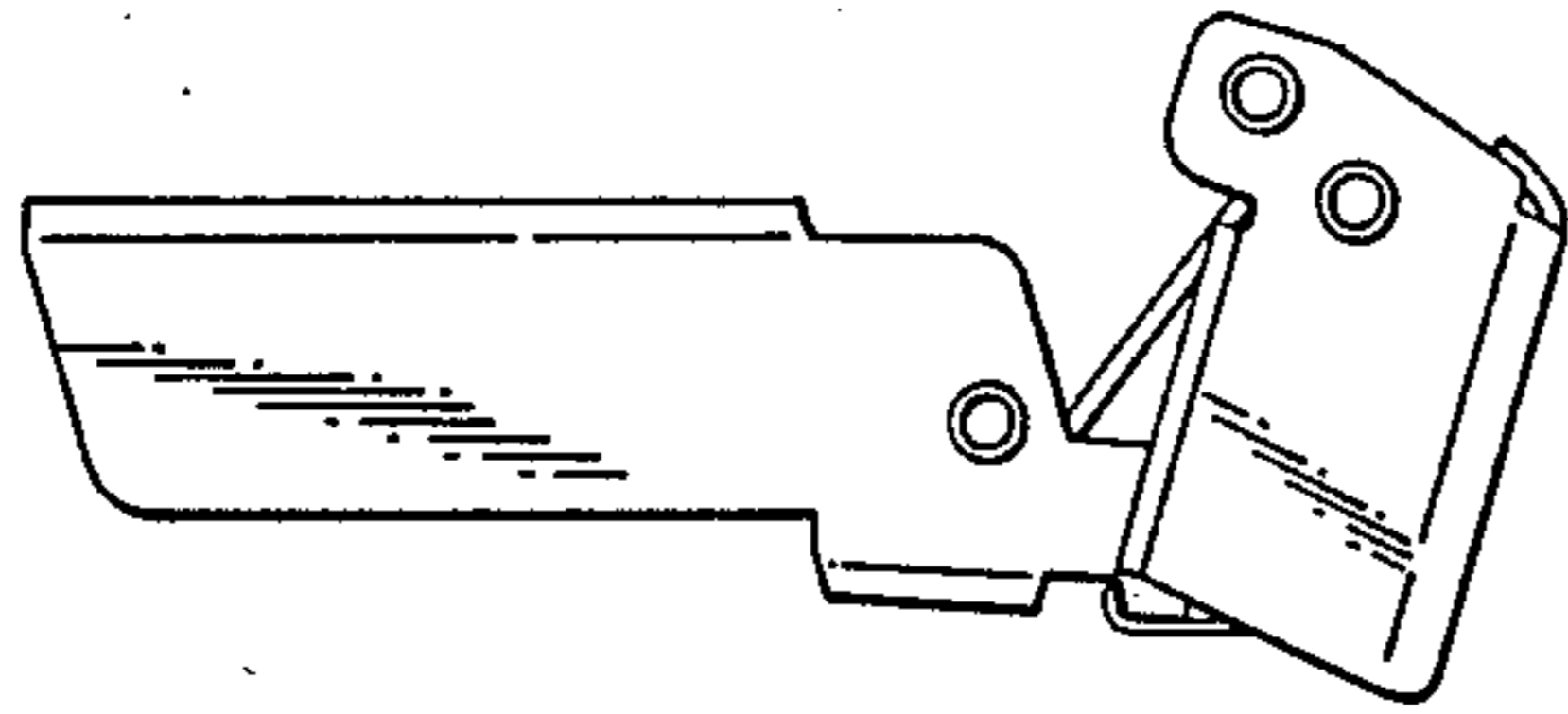


FIG. 4

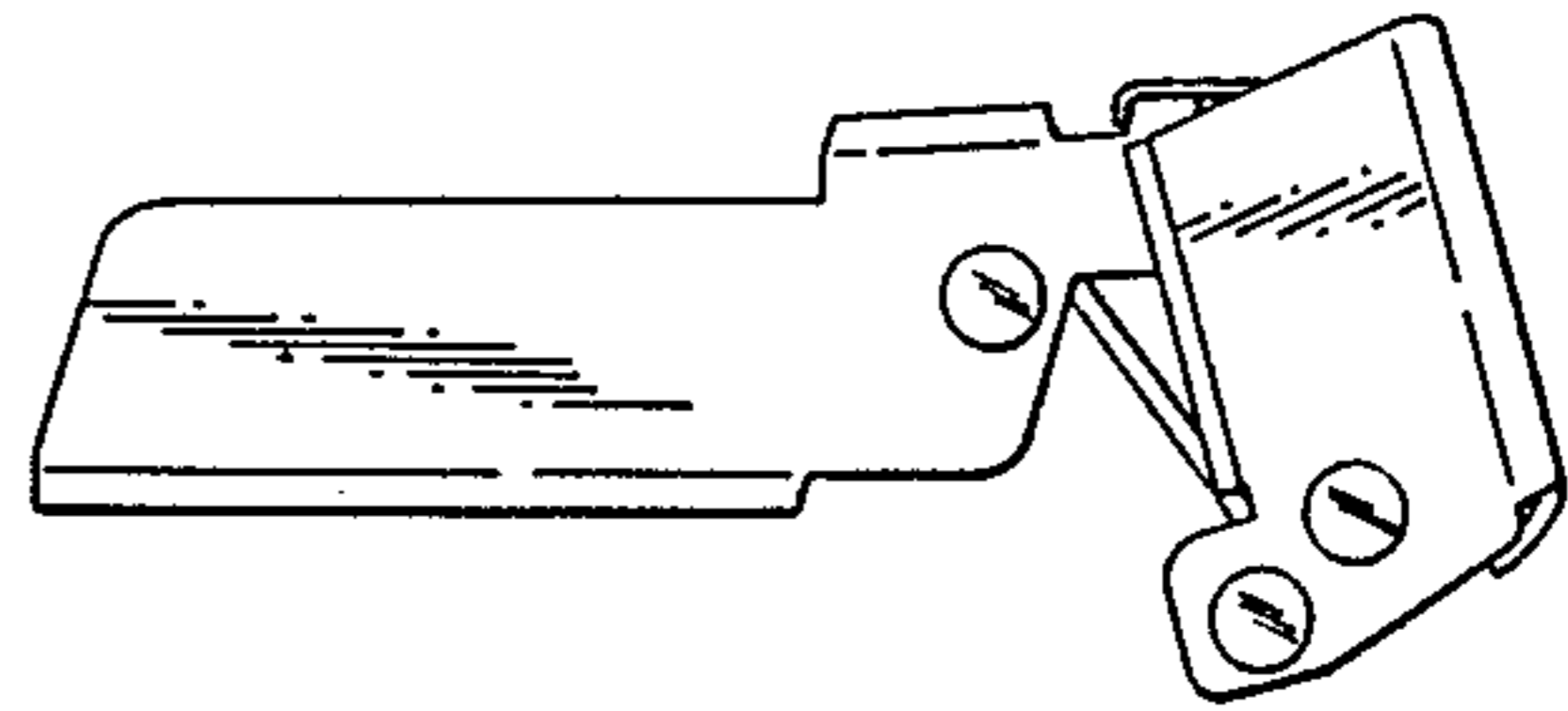


FIG. 5

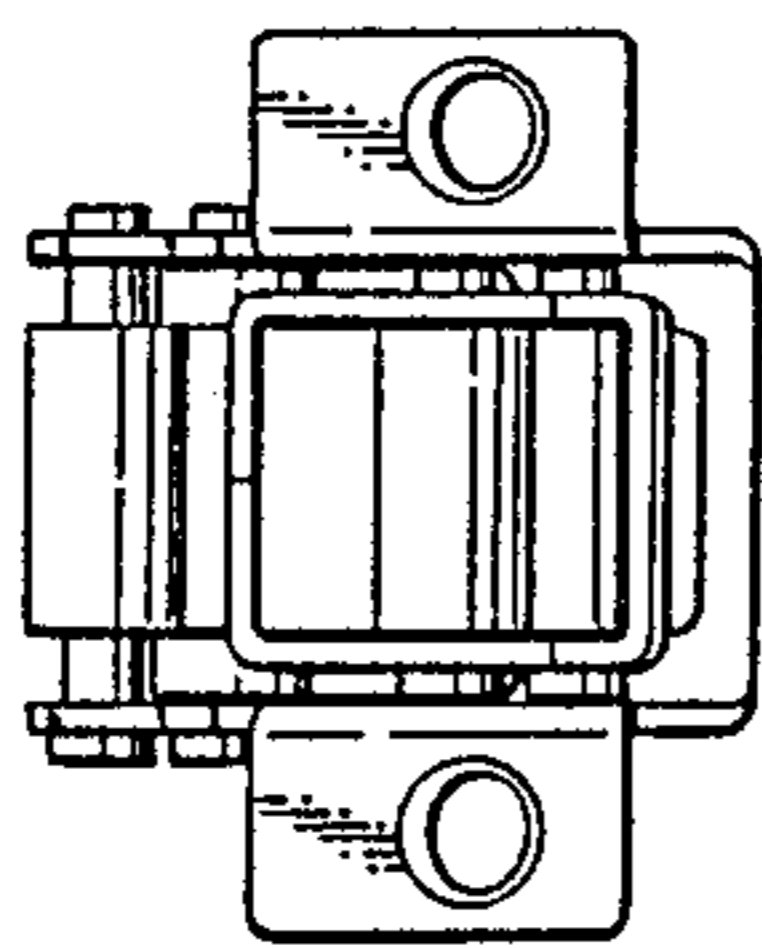
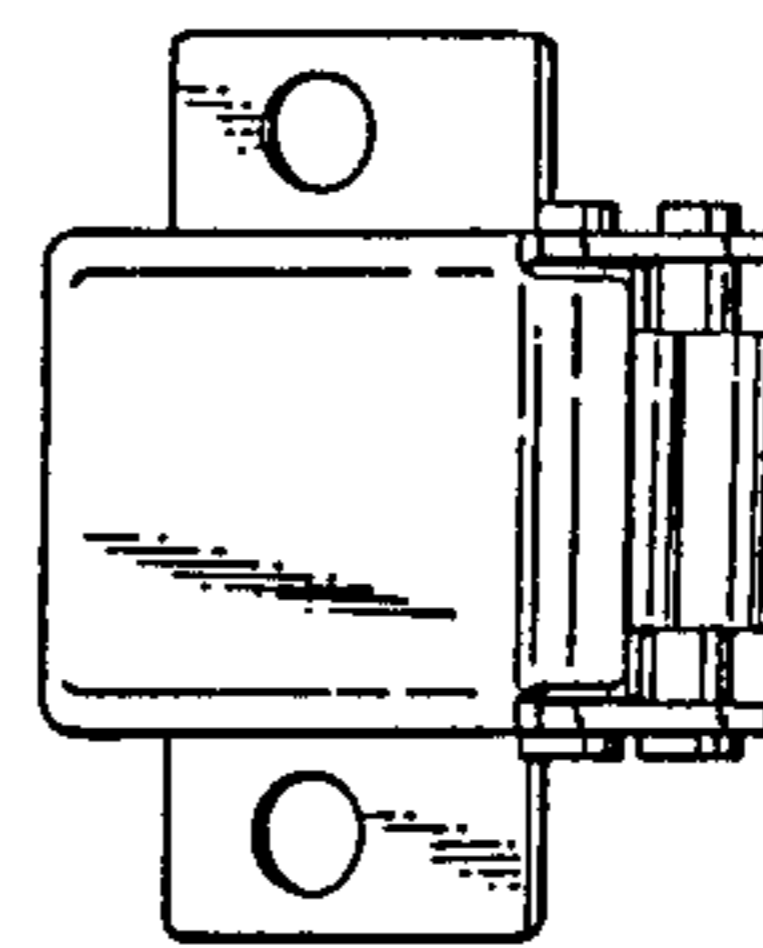
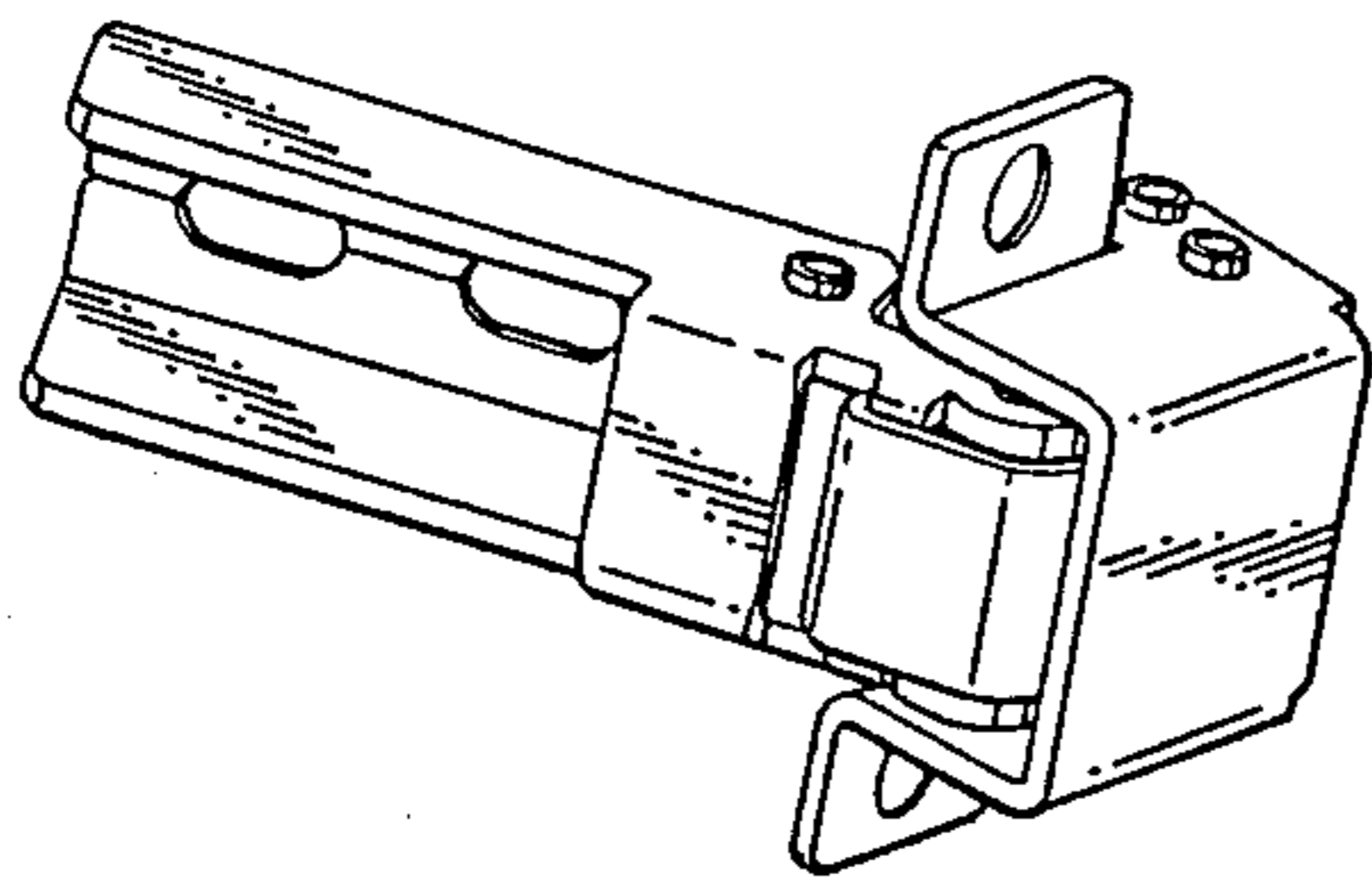


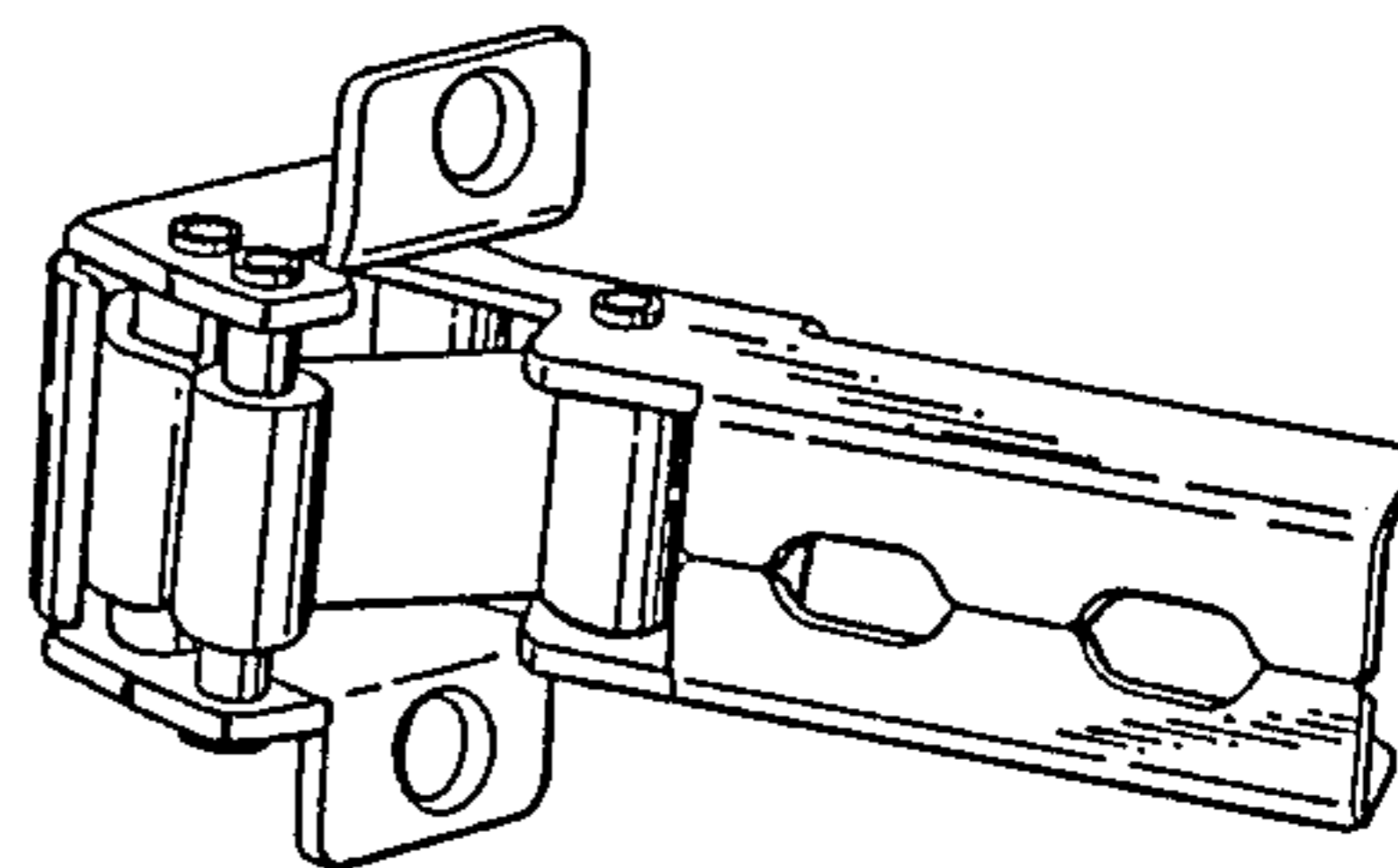
FIG. 6



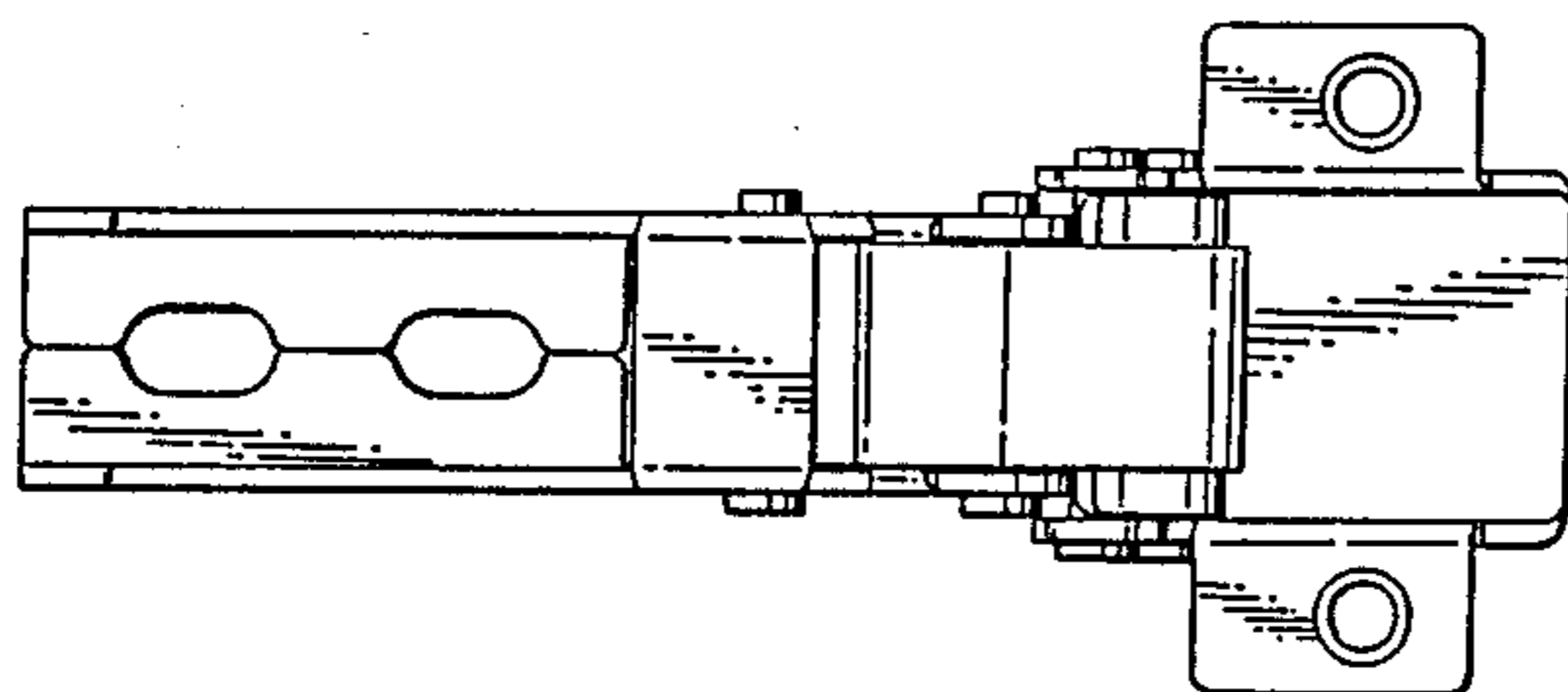
F I G . 7



F I G . 8



F I G . 9



F I G . 10

