

United States Patent [19]

Seraphin et al.

[11] Patent Number: Des. 304,011

[45] Date of Patent: ** Oct. 17, 1989

[54] HEAT GUN

4,083,497 4/1978 Rosenberger 239/526

[75] Inventors: Joseph A. Seraphin; James E. Talbot,
both of Springfield, Pa.

[73] Assignee: Film Applicators of North America,
Springfield, Pa.

[**] Term: 14 Years

[21] Appl. No.: 896,984

[22] Filed: Aug. 15, 1986

[52] U.S. Cl. D8/29.1

[58] Field of Search D8/29.1, 30; D15/144.1;
D23/417, 415, 332; 219/366, 368, 369;
239/DIG. 2, 79, 525, 526

[56] References Cited

U.S. PATENT DOCUMENTS

D. 232,554	8/1974	Benjamin	D8/29.1
D. 279,814	7/1985	Gaines	D8/29.1
D. 296,070	6/1988	Cunningham	D8/29.1
D. 297,397	8/1988	Pagani	D8/29.1
D. 297,398	8/1988	Pagani	D8/29.1

OTHER PUBLICATIONS

Brochure of Rippes (undated) showing a Heat Gun which was first placed on sale in the United States during Nov. 1980.

Primary Examiner—James M. Gandy
Assistant Examiner—Lisa Lichtenstein
Attorney, Agent, or Firm—Panitch, Schwarze, Jacobs and Nadel

[57] CLAIM

The ornamental design for a heat gun, as shown.

DESCRIPTION

FIG. 1 is a perspective view of a heat gun in accordance with our new design;

FIG. 2 is a right side elevational view;

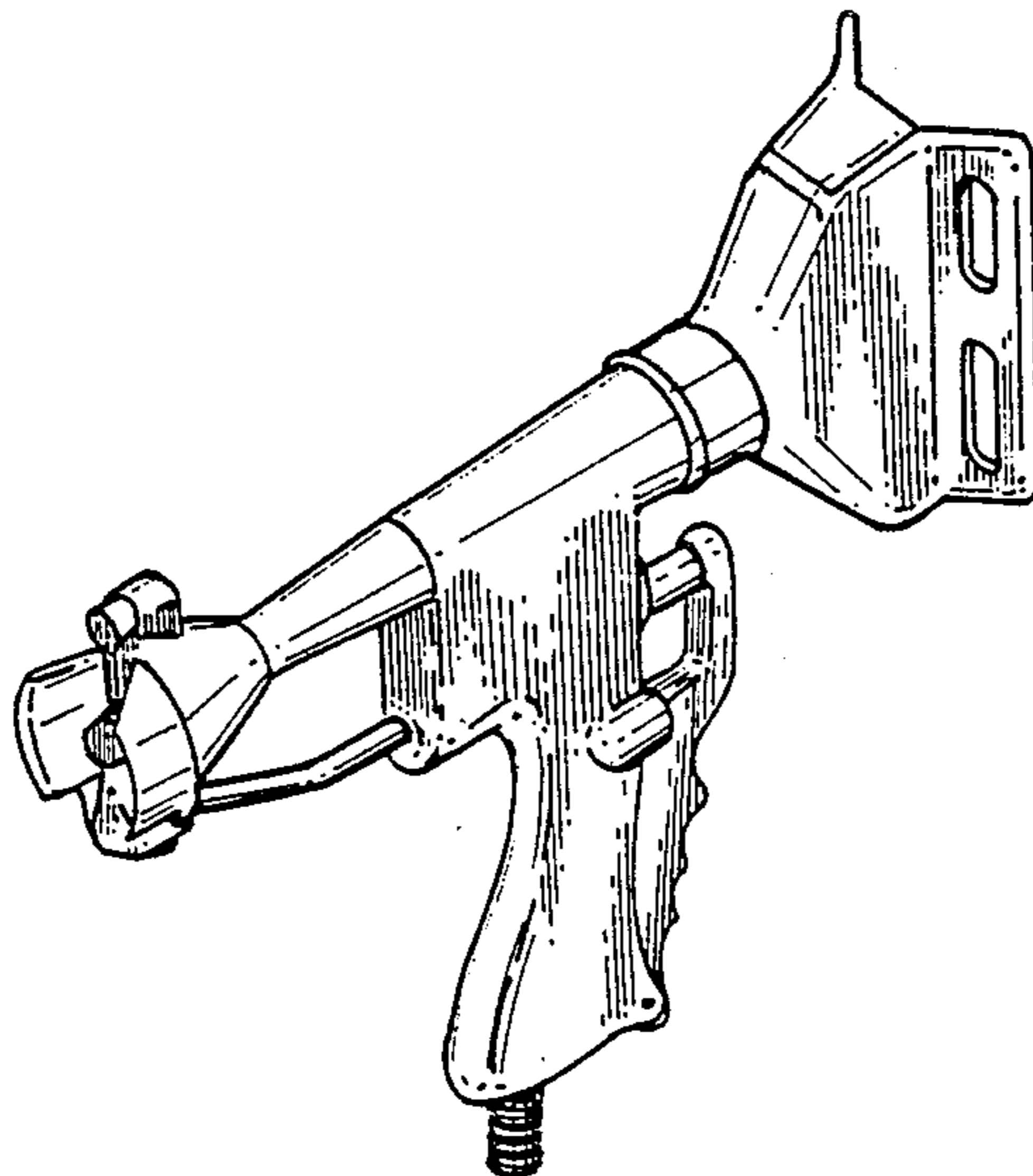
FIG. 3 is a front elevational view;

FIG. 4 is a left side elevational view;

FIG. 5 is a rear elevational view;

FIG. 6 is a top plan view; and

FIG. 7 is a bottom plan view thereof.



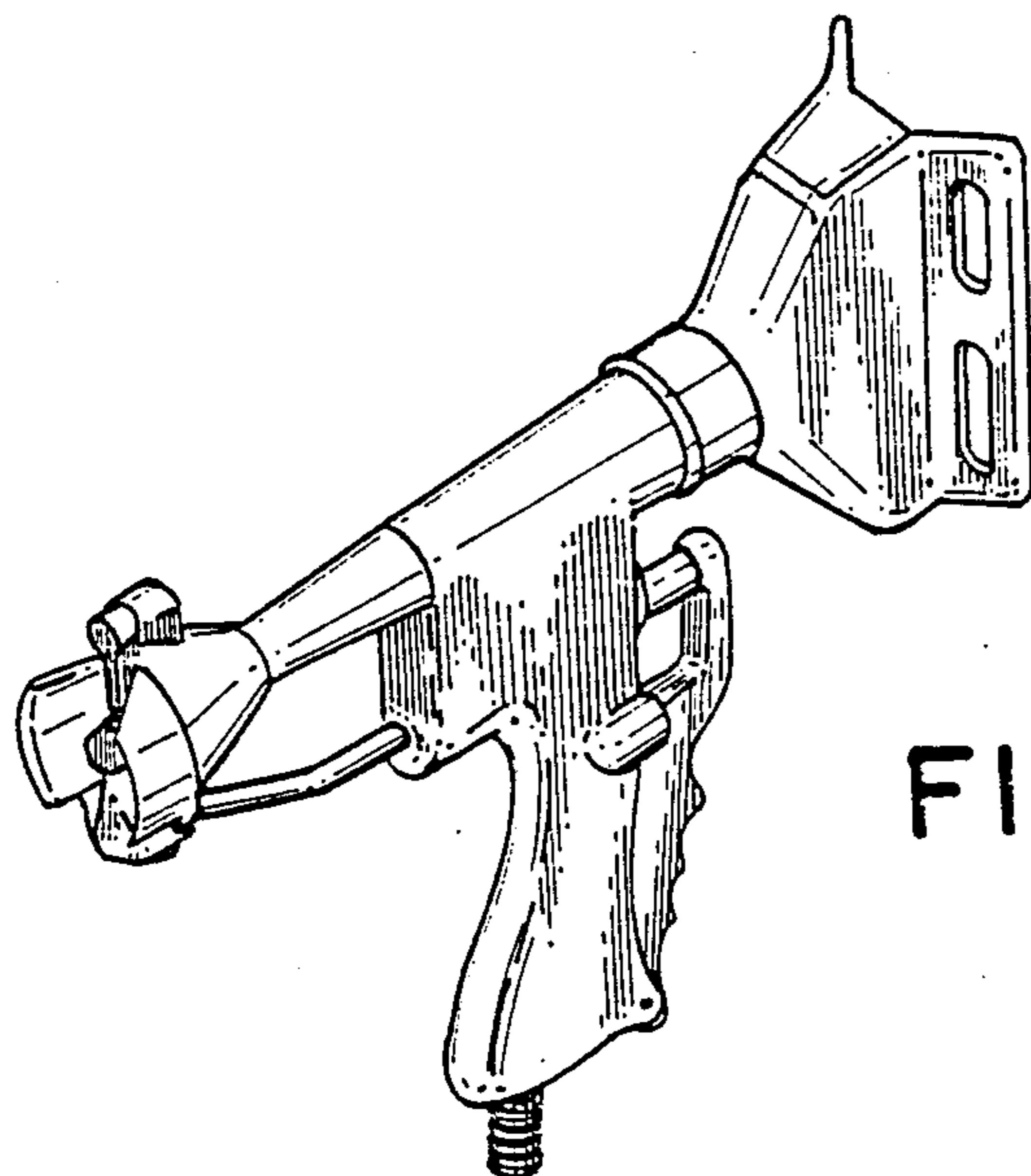


FIG. 1

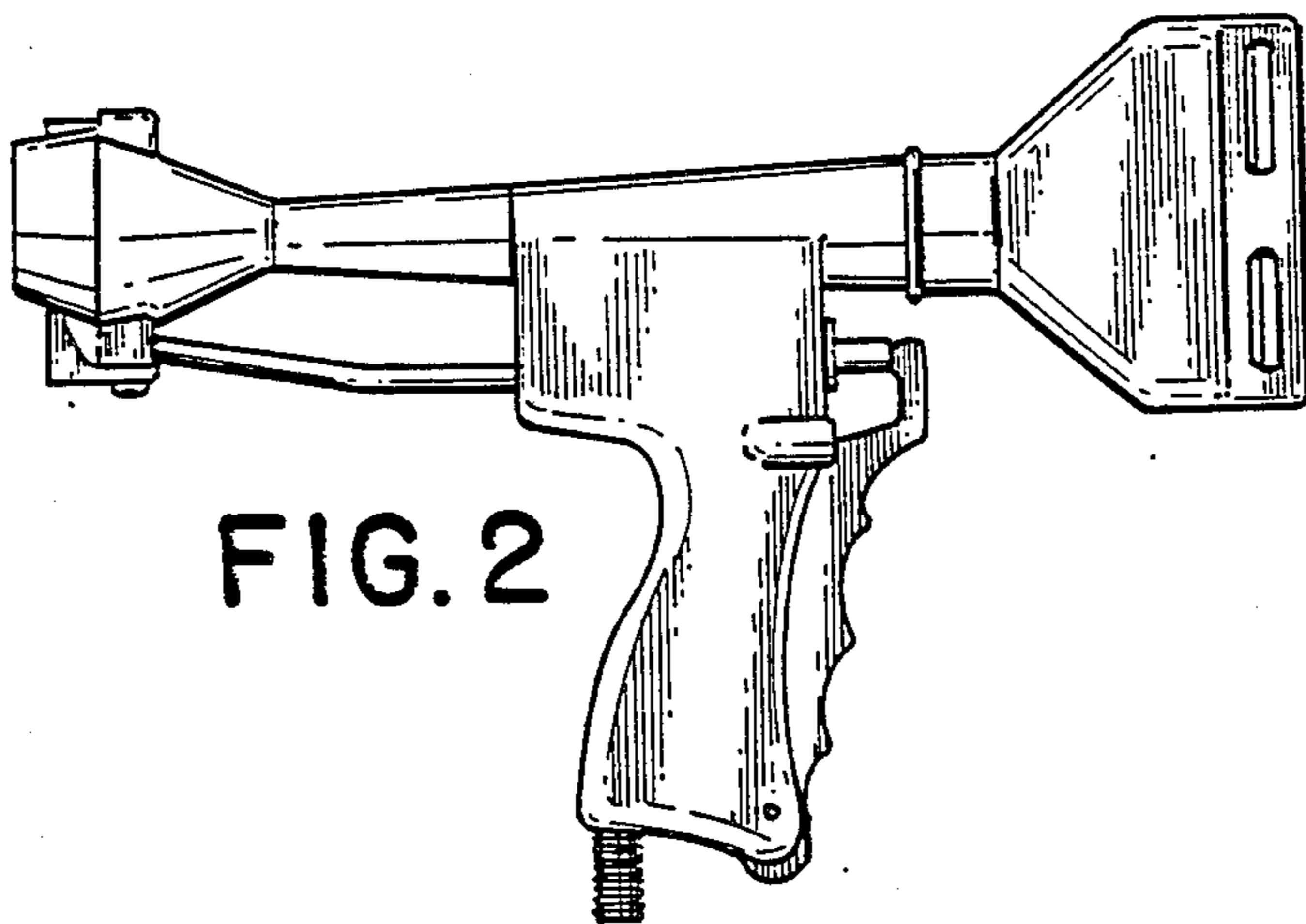


FIG. 2

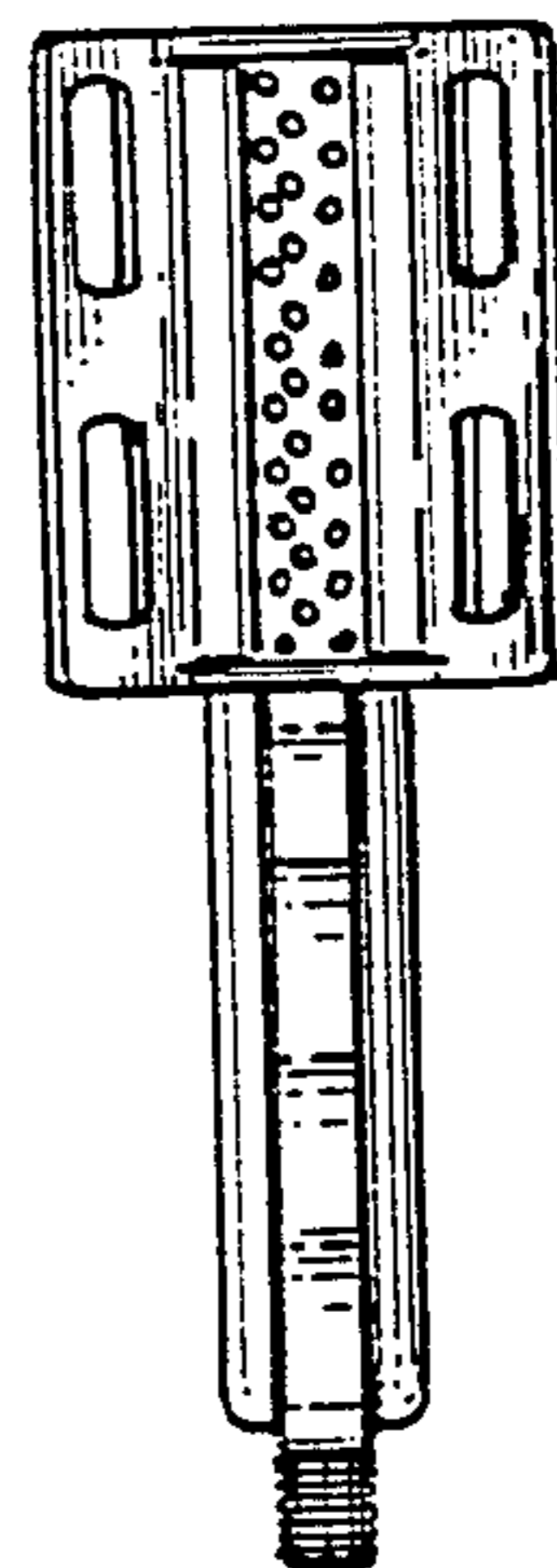


FIG. 3

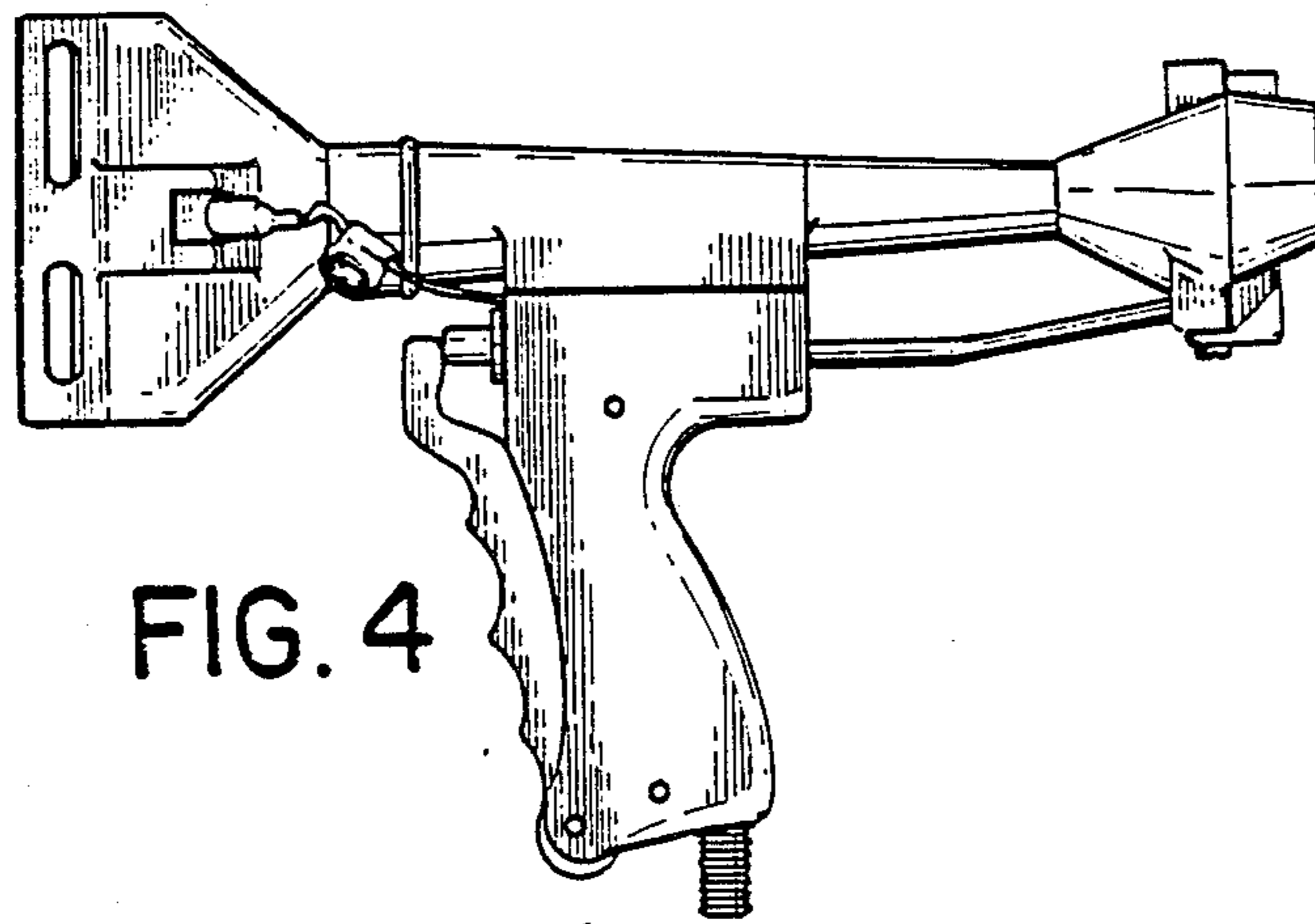


FIG. 4

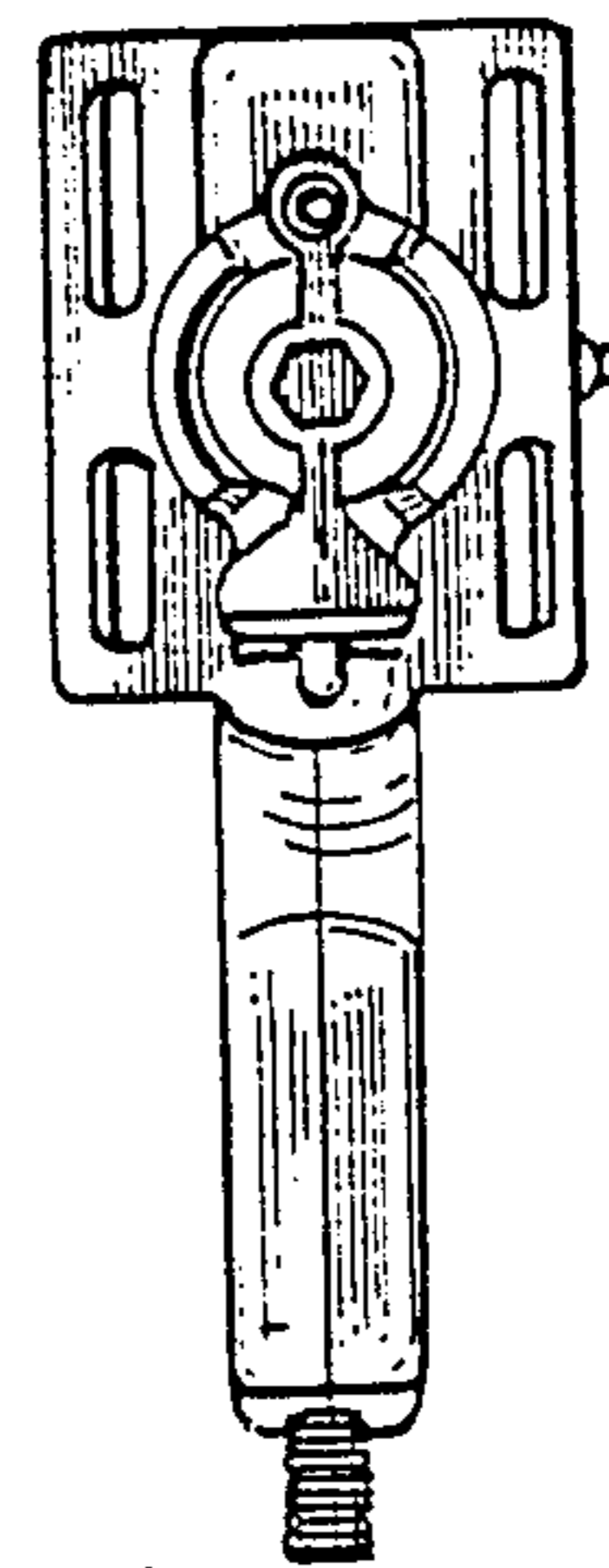


FIG. 5

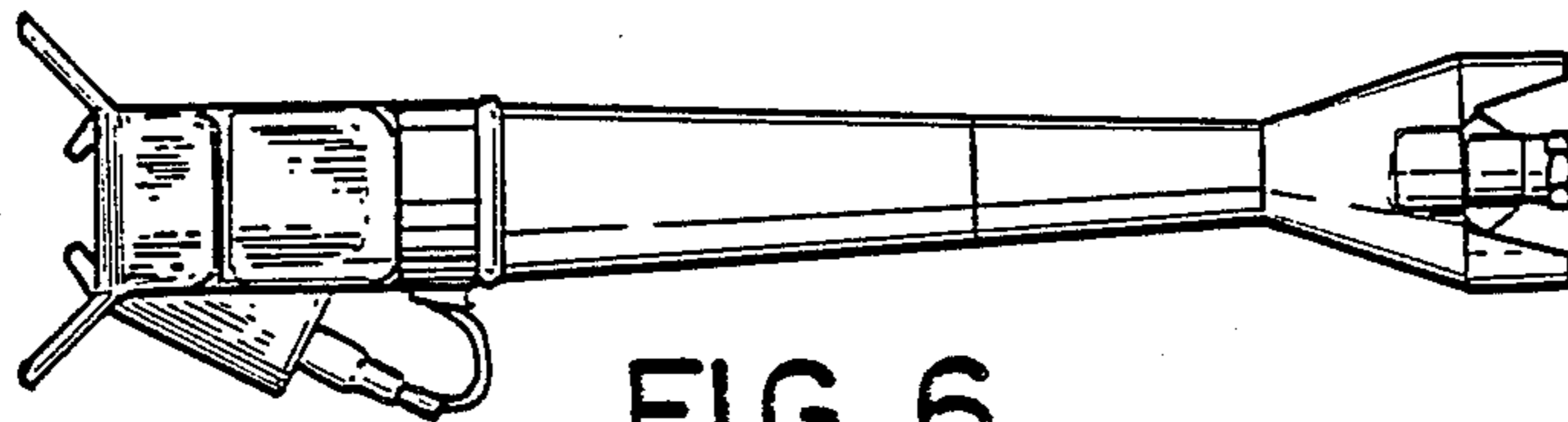


FIG. 6

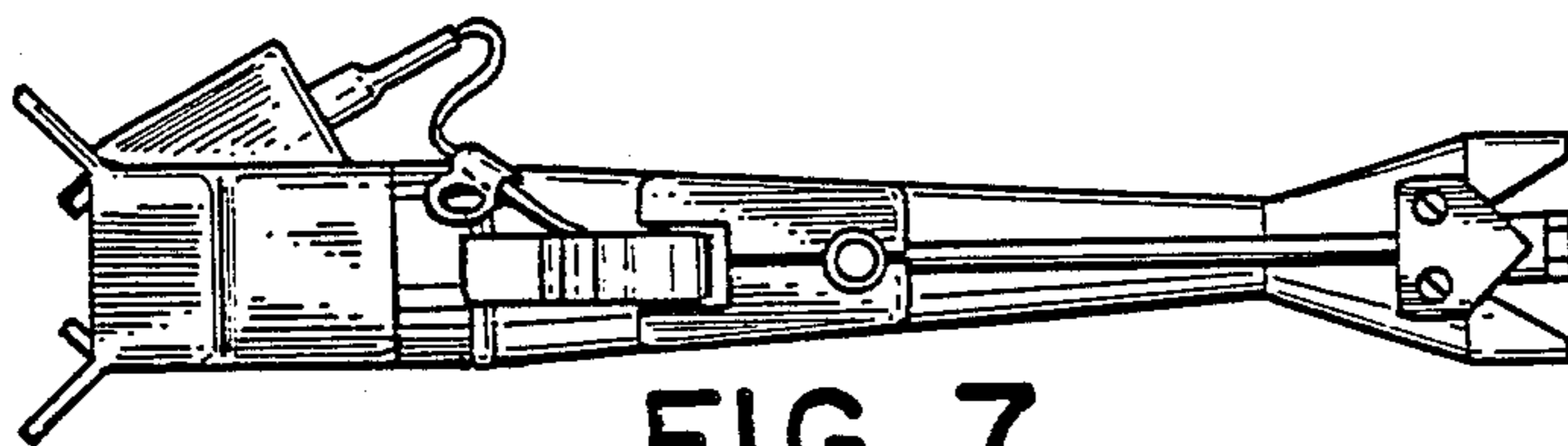


FIG. 7