

[54] **WHISK FOR THE PREPARATION OF  
CAKES, PIES AND THE LIKE**

[75] **Inventor: Bruno Gecchelin, Milan, Italy**

[73] **Assignee: Fratelli Guzzini S.p.A., Recanati,  
Italy**

[\*\*] **Term: 14 Years**

[21] **Appl. No.: 932,900**

[22] **Filed: Nov. 19, 1986**

[30] **Foreign Application Priority Data**

May 23, 1986 [IT] Italy ..... 21970/86[U]  
[52] **U.S. Cl. .... D7/103**  
[58] **Field of Search .... D7/99-106,  
D7/151; 241/169.2; 366/129, 130; 416/69**

[56] **References Cited**  
**U.S. PATENT DOCUMENTS**

843,461 2/1907 Husser ..... 366/129 X

*Primary Examiner*—Bernard Ansher  
*Assistant Examiner*—Terry A. Pfeffer  
*Attorney, Agent, or Firm*—Hedman, Gibson, Costigan &  
Hoare

[57] **CLAIM**

The ornamental design for a whisk for the preparation of cakes, pies and the like, as shown and described.

**DESCRIPTION**

FIG. 1 is a side elevation view of a whisk for the preparation of cakes, pies and the like showing my new design;  
FIG. 2 is a top plan view thereof;  
FIG. 3 is a bottom plan view thereof;  
FIG. 4 is a front elevational view thereof and  
FIG. 5 is a rear elevational view thereof.

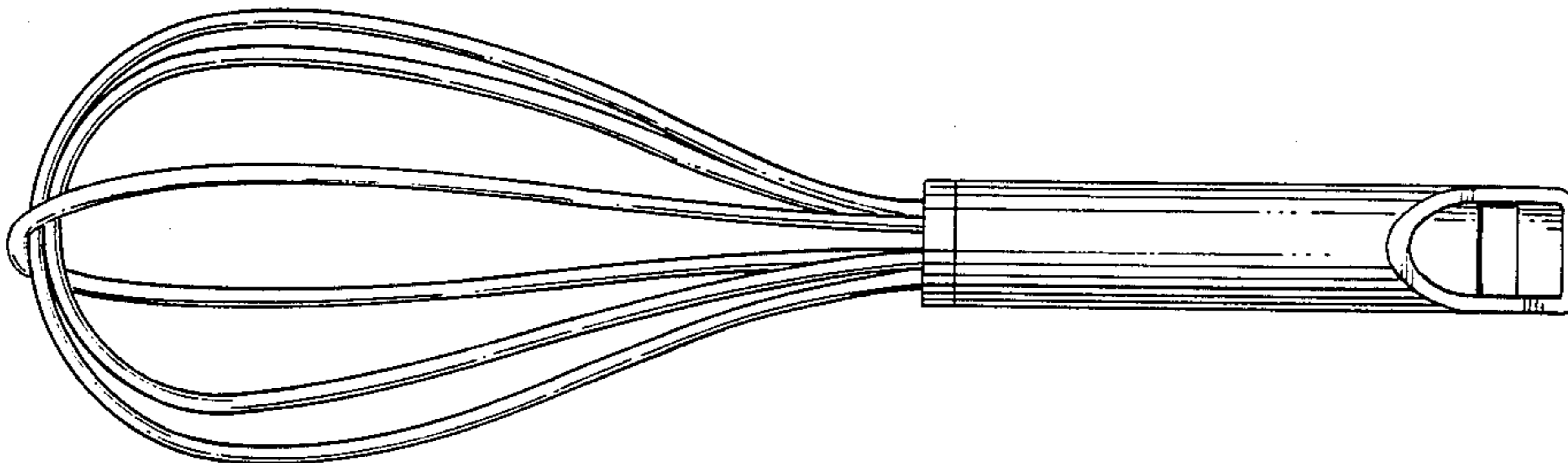
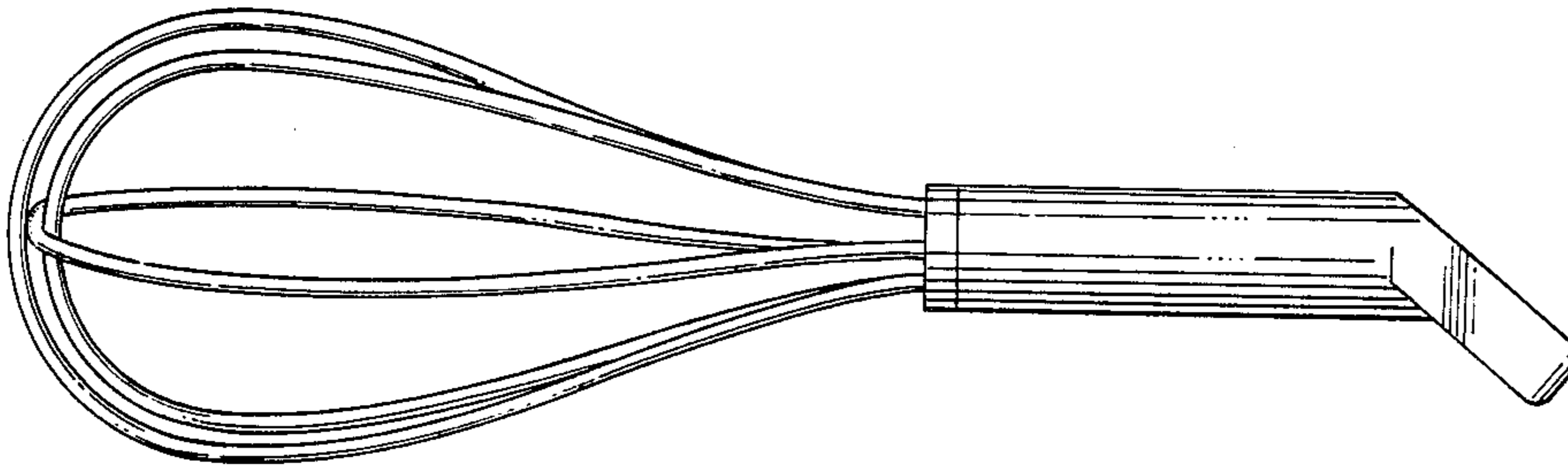


Fig.1

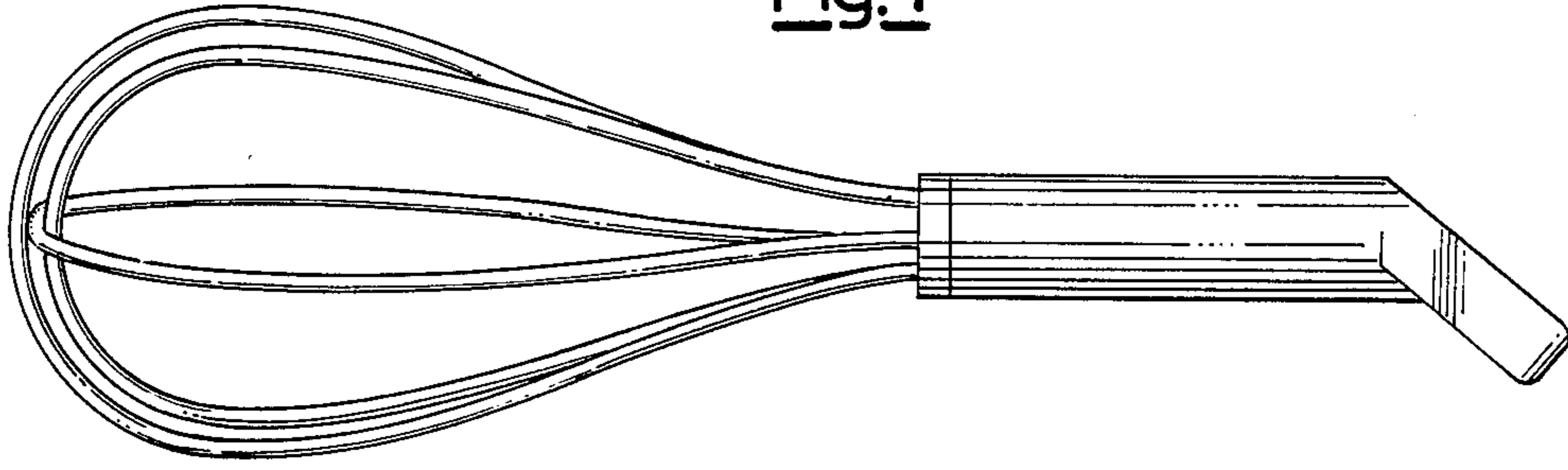


Fig.2

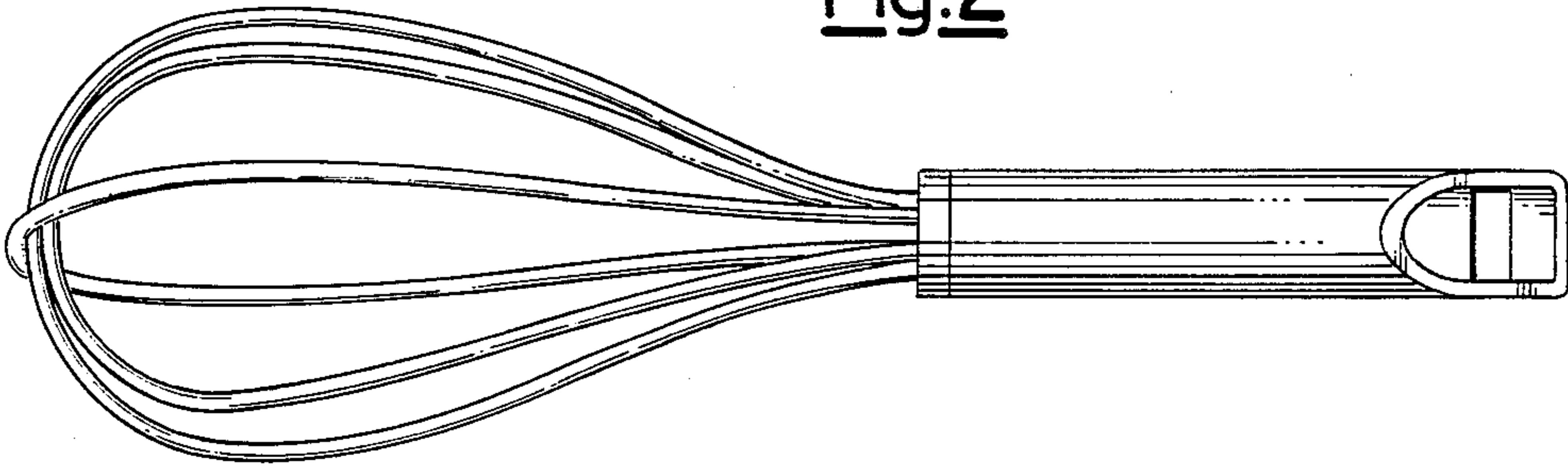


Fig.3

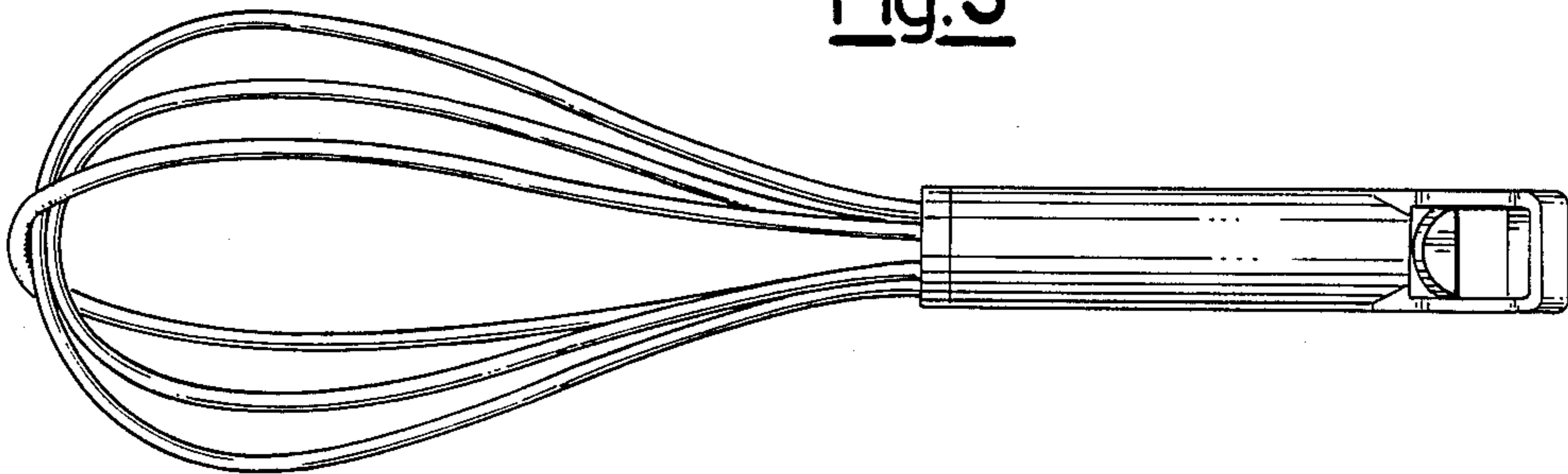


Fig.4

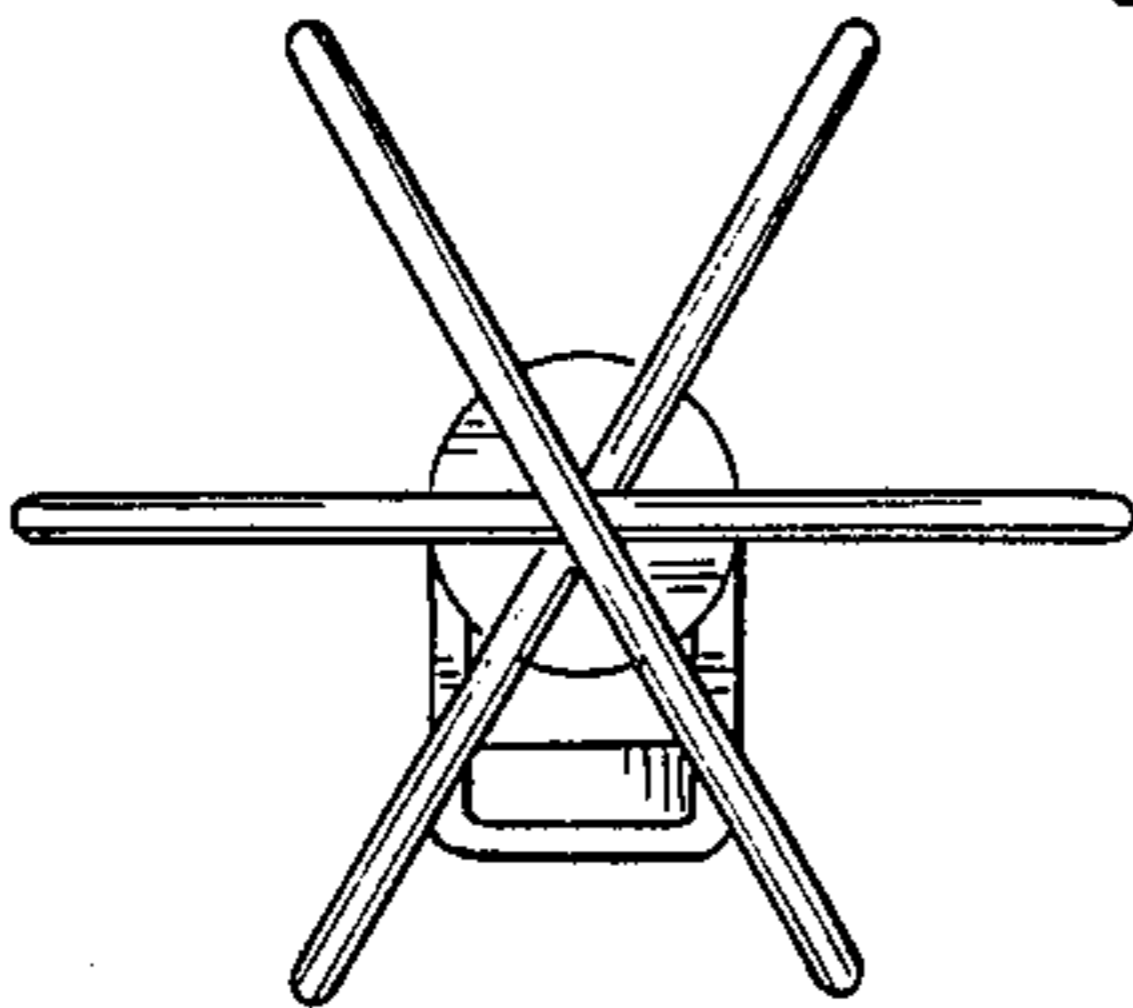


Fig.5

