

[54] **LUNCH BOX**

[76] **Inventor: John Hornung, 1231 Farrington Dr.,
La Habra, Calif. 90631**

[**] **Term: 14 Years**

[21] **Appl. No.: 259,630**

[22] **Filed: Oct. 19, 1988**

Related U.S. Application Data

[63] Continuation-in-part of Ser. No. 132,104, Dec. 14, 1987, abandoned, which is a continuation-in-part of Ser. No. 893,795, Aug. 6, 1986, abandoned.

[52] **U.S. Cl. D7/76; D9/326**

[58] **Field of Search D7/76; D9/341, 423,
D9/420, 347, 326; 206/538, 472, 457; 220/20.1**

[56] **References Cited**

U.S. PATENT DOCUMENTS

2,341,600 2/1944 Daniel D9/326
2,587,559 2/1952 Wetherbee 206/562 X

2,797,806 7/1957 Davis 206/562 X
3,380,573 4/1968 Gulotta D9/423 X
4,467,920 8/1984 Smith 206/457

Primary Examiner—Bernard Ansher
Assistant Examiner—Terry A. Pfeffer
Attorney, Agent, or Firm—Lyon & Lyon

[57] **CLAIM**

The ornamental design for a lunch box, as shown and described.

DESCRIPTION

FIG. 1 is a top, front, left side perspective view of a lunch box showing my new design;

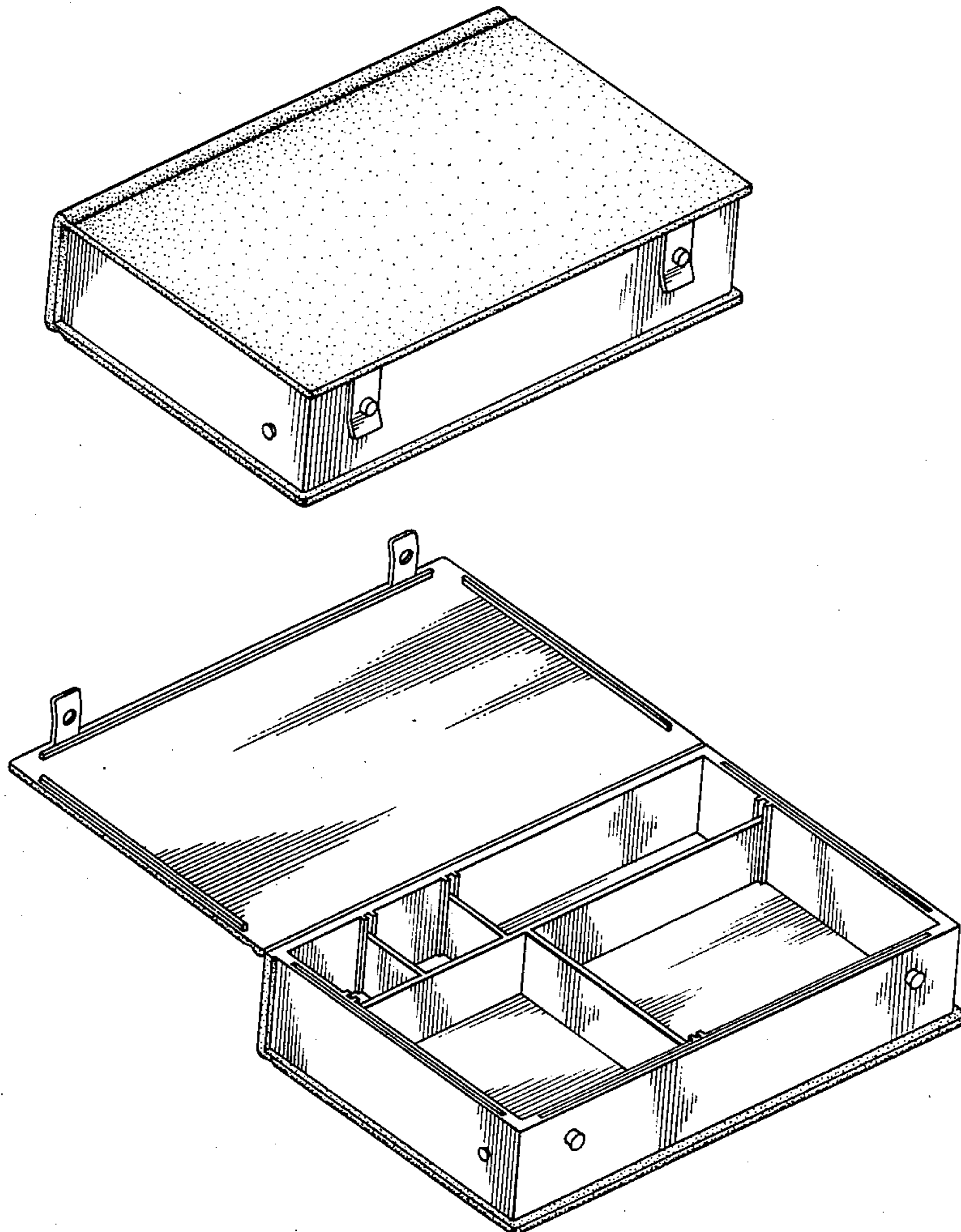
FIG. 2 is a perspective view thereof with the top in an open position;

FIG. 3 is a left side elevational view thereof, the opposite side being a mirror image;

FIG. 4 is a front elevational view thereof; and

FIG. 5 is a rear elevational view thereof.

The undisclosed bottom view is a mirror image of the top view.



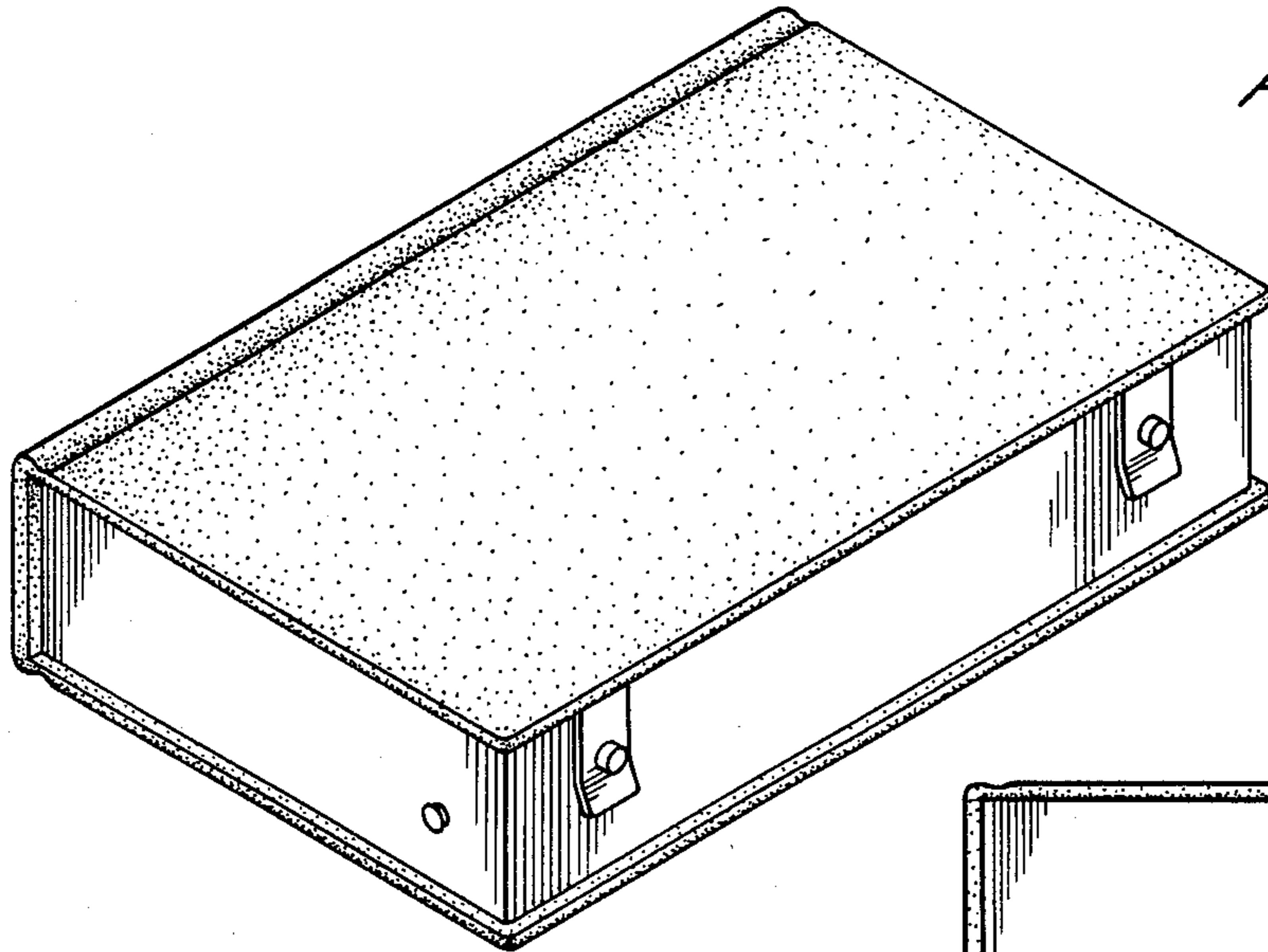


FIG. 1.



FIG. 3.

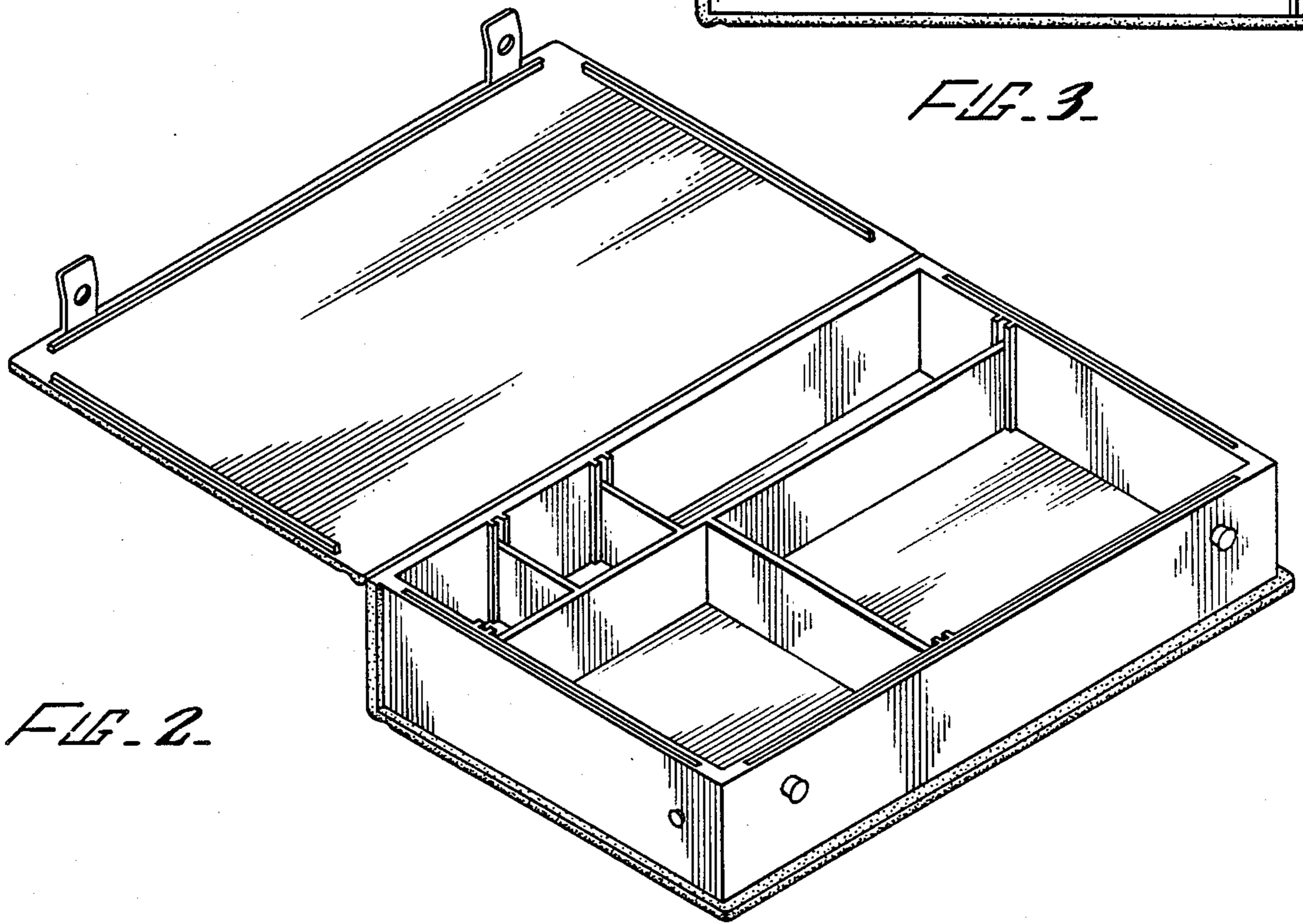


FIG. 2.



FIG. 4.

FIG. 5.

