

[54] CARRYING CASE
 [75] Inventor: Sydney V. Davis, Neponset, N.Y.
 [73] Assignee: Ve-Alite Plastic Corporation,
 Brooklyn, N.Y.
 [**] Term: 14 Years
 [21] Appl. No.: 889,361
 [22] Filed: Jul. 25, 1986
 [52] U.S. Cl. D3/73; D3/30.1;
 D3/42
 [58] Field of Search D3/30.1, 72, 73, 76,
 D3/78, 42, 43, 52, 53, 79, 35, 44, 66; D5/43;
 224/47; D21/114, 116, 118; D9/332, 418

D. 260,327 8/1981 Rabinowitz et al. D3/73
 D. 272,678 2/1984 Goldberg D3/73
 D. 285,870 9/1986 Ikuta et al. D3/73

Primary Examiner—Nelson C. Holtje
 Assistant Examiner—Antoine D. Davis
 Attorney, Agent, or Firm—Notaro & Michalos

[56] References Cited
 U.S. PATENT DOCUMENTS
 D. 119,173 2/1940 Nagle D9/418
 D. 209,867 1/1968 Sigoloff D9/418

[57] CLAIM
 The ornamental design for a carrying case, as shown
 and described.

DESCRIPTION
 FIG. 1 is a front elevational view of a carrying case
 showing my design;
 FIG. 2 is a rear elevational view thereof;
 FIG. 3 is a side elevational view, the opposite side being
 a mirror image thereof;
 FIG. 4 is a bottom plan view thereof;
 FIG. 5 is a top plan view thereof;
 FIG. 6 is a perspective view thereof in an open position.



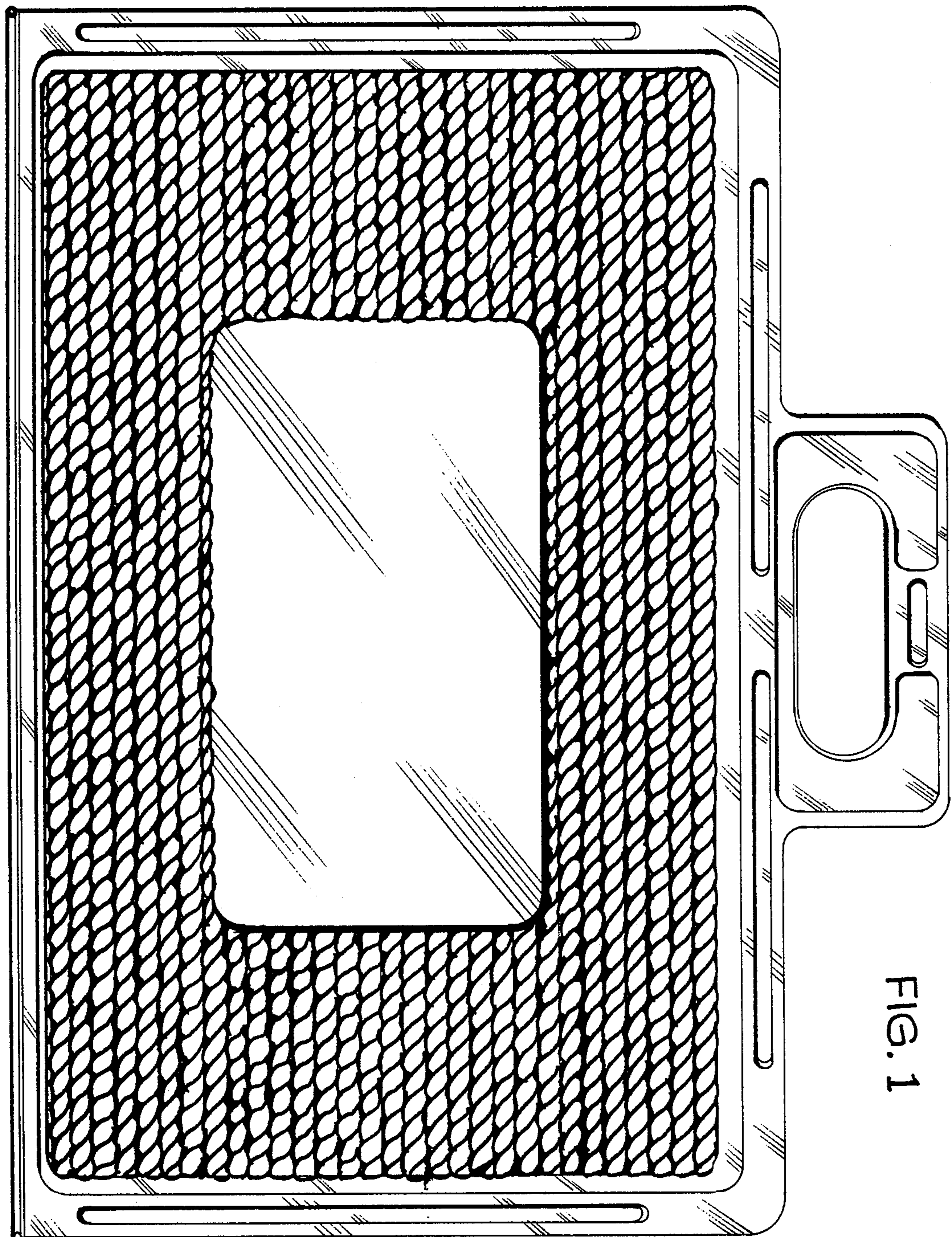


FIG. 1

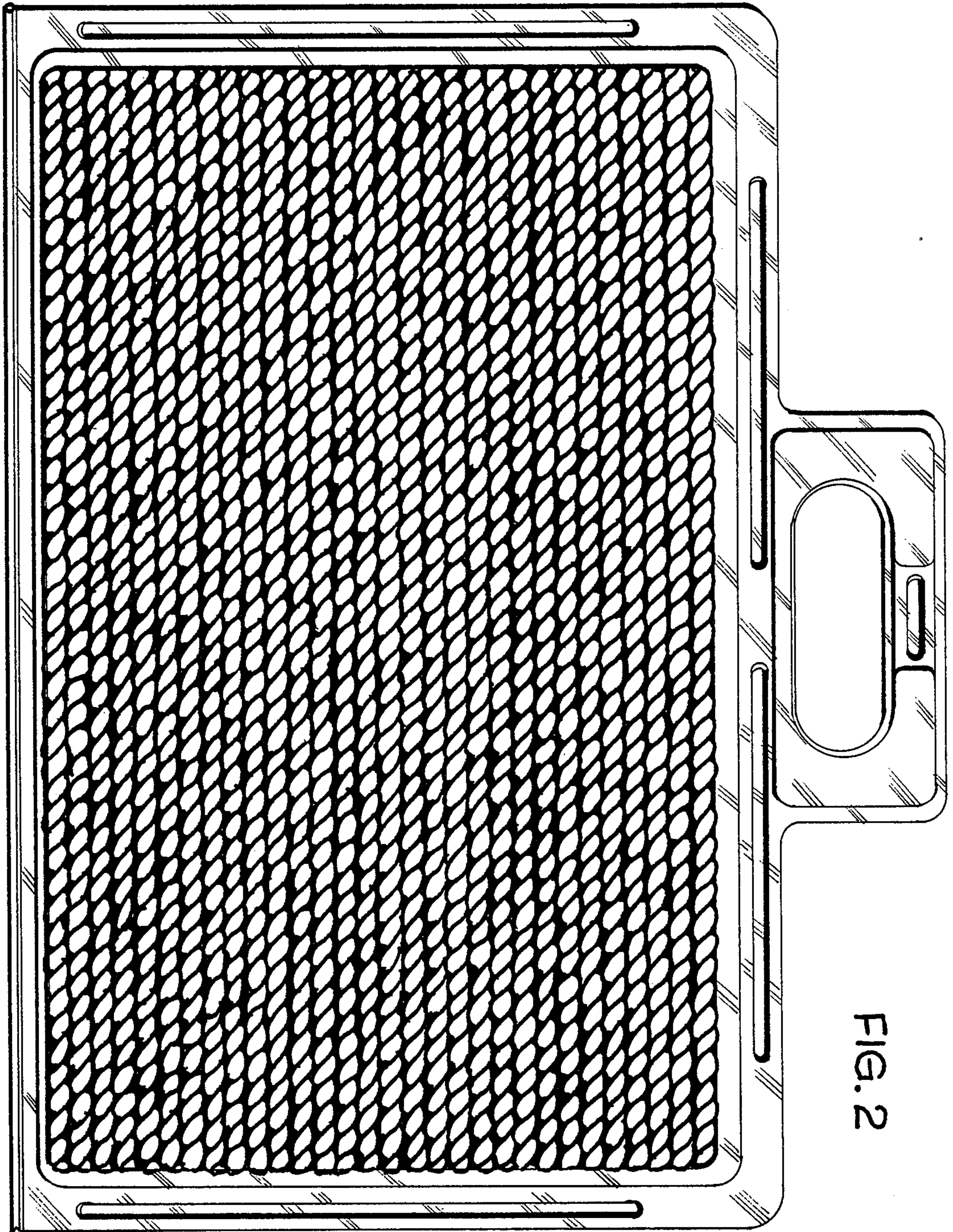


FIG. 2

FIG. 3

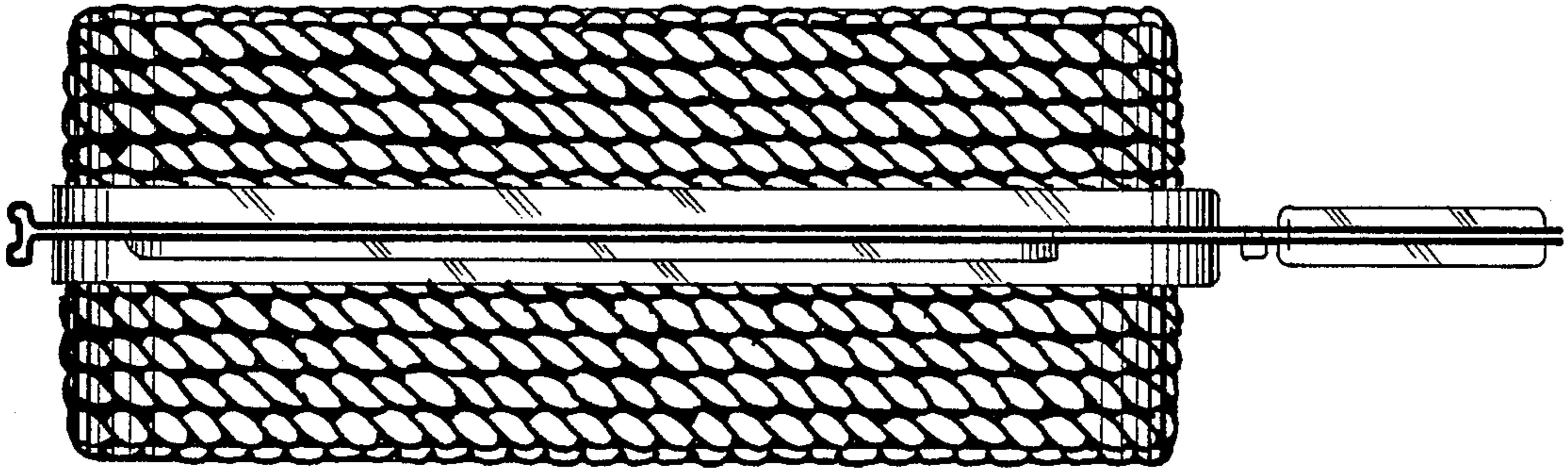


FIG. 4

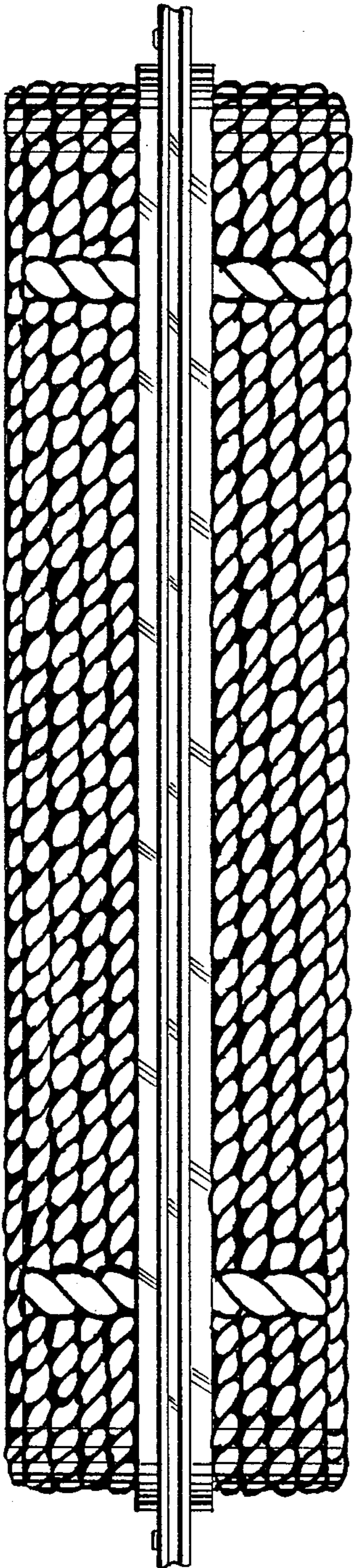
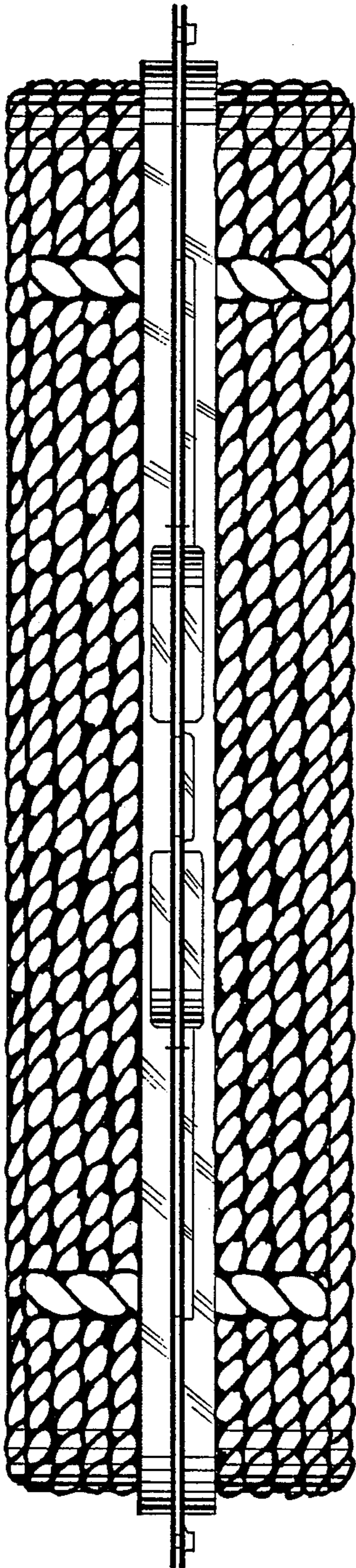


FIG. 5



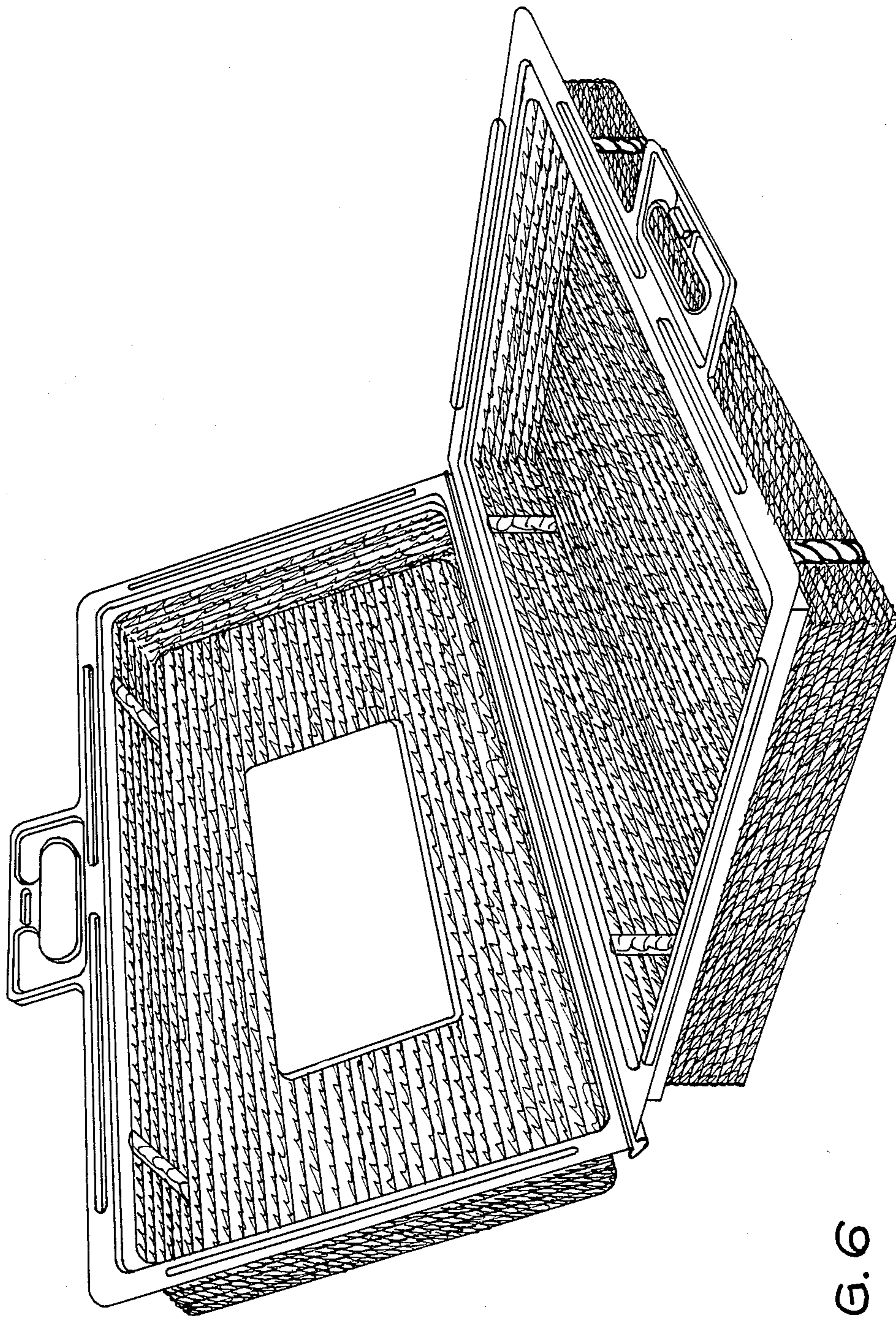


FIG. 6